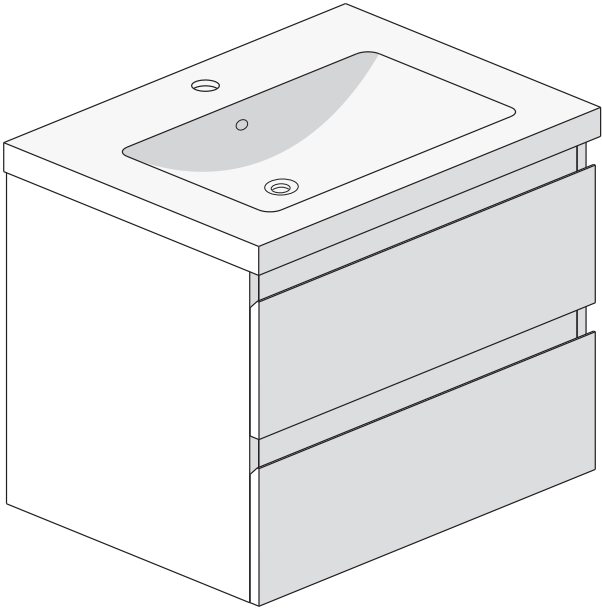
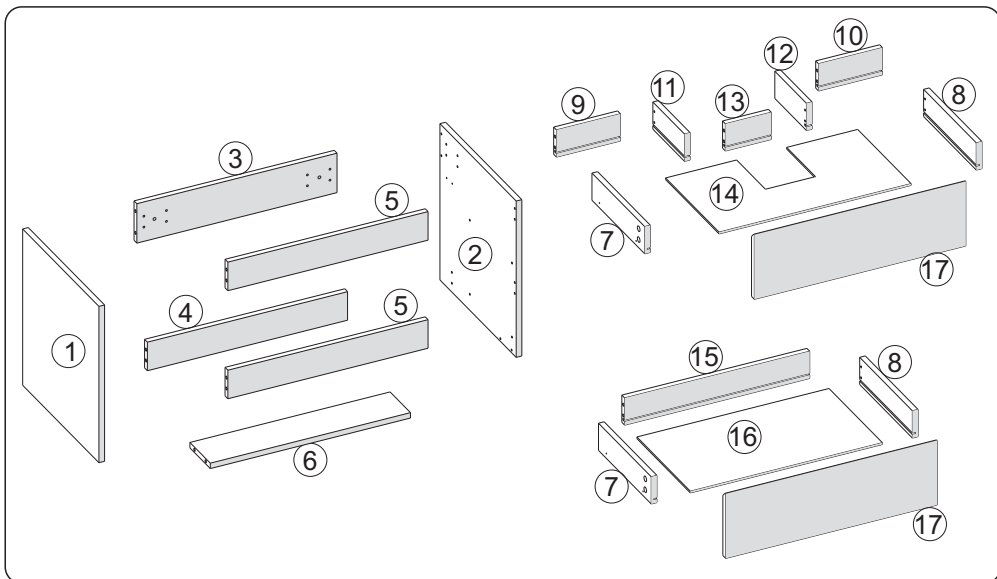


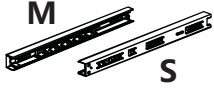



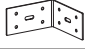



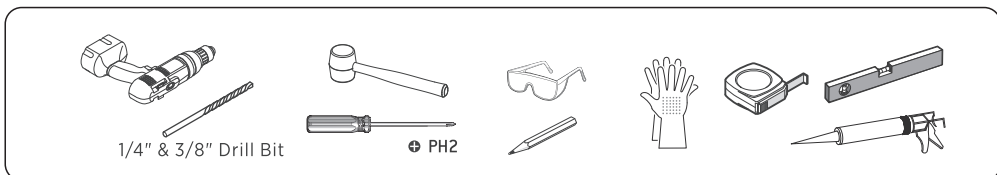
To ensure that your assembly goes smoothly, please read these instructions thoroughly prior to starting and then follow the simple step-by-step instructions.



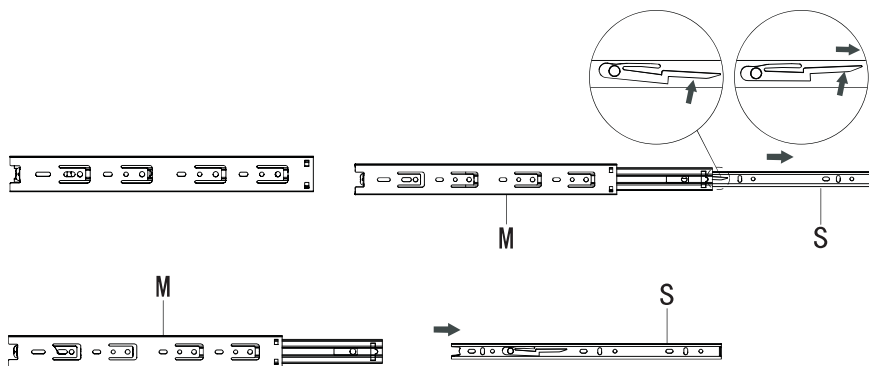


No.	Description	QTY
1	Left Side Board	1
2	Right Side Board	1
3	Bottom Board	1
4	Connect board	1
5	Connect board	2
6	Connect board	1
7	Left board for drawer	2
8	Right board for drawer	2
9	Back board for up drawer	1
10	Back board for up drawer	1
11	Left board for u shape	1
12	Right board for u shape	1
13	Back board for u shape	1
14	Bottom board for up drawer	1
15	Back board for down drawer	1
16	Bottom board for down drawer	1
17	Drawer front	2

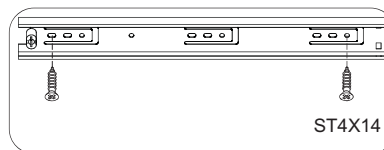
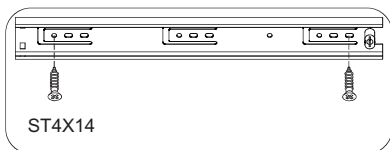
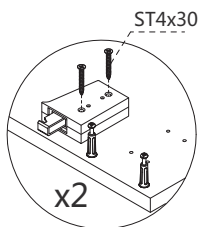
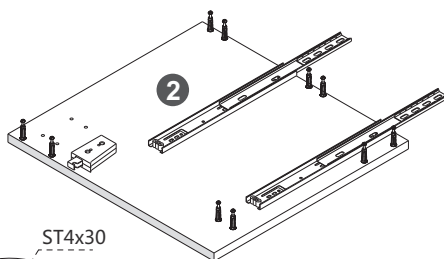
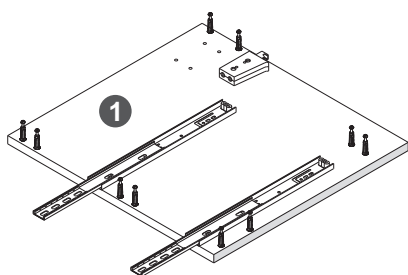
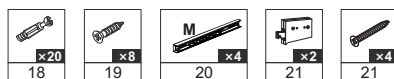
18		Three-in-one Connector	44
19		Screws ST4x14	32
20		Slider	4
21		Hanger	2
		Screws ST4x30	4
		Screws ST4x50	6
22		Bracket	2
23		Screws For Fix On The Wall	2



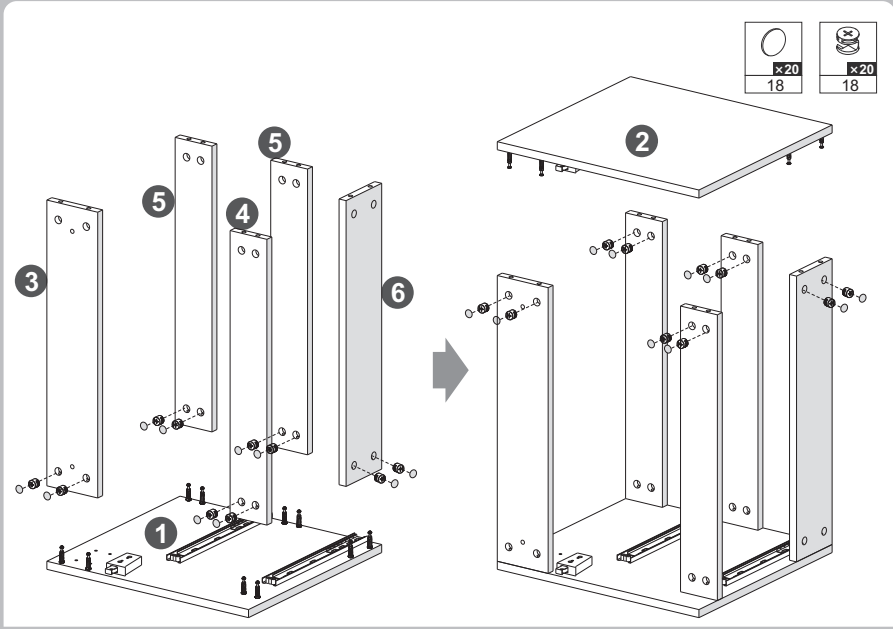
Step1



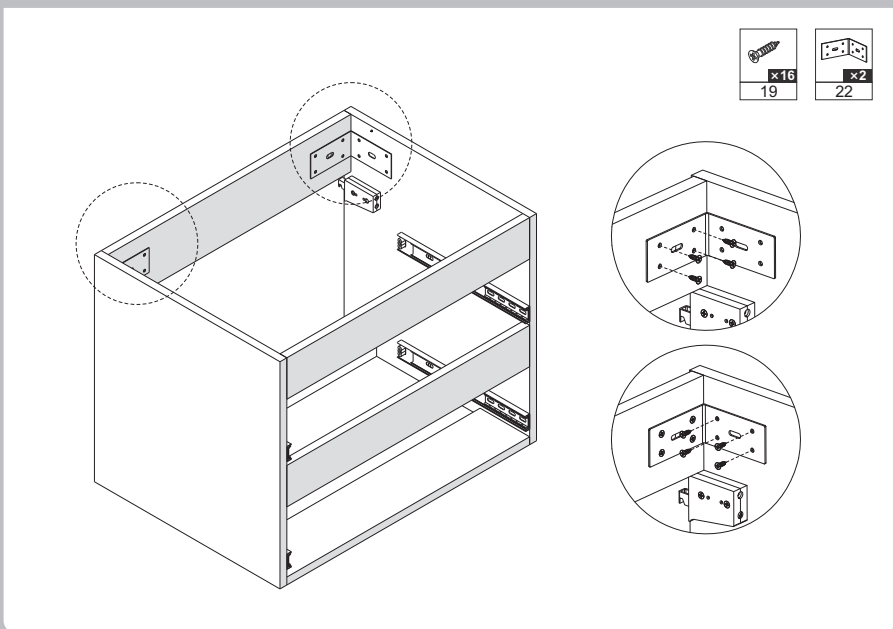
● Keep pressing here, then pull out to devide the slide.



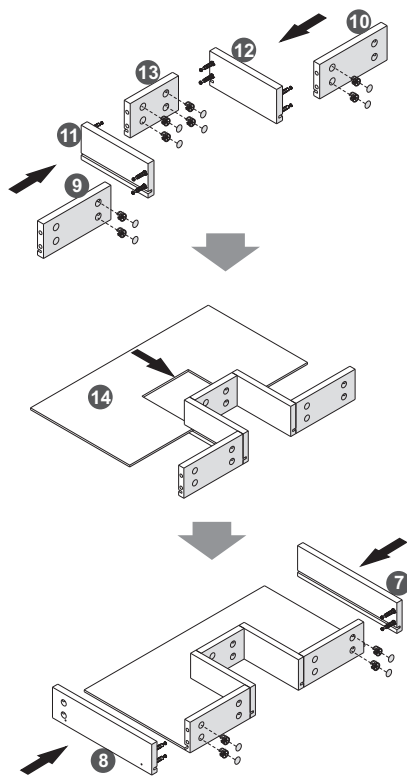
Step2








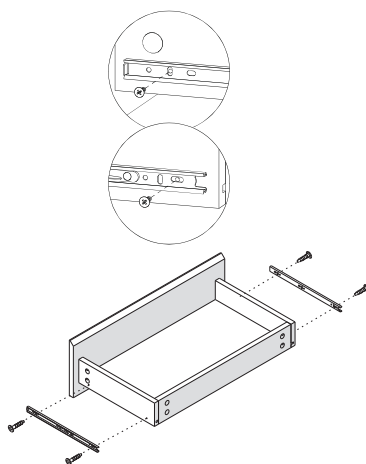
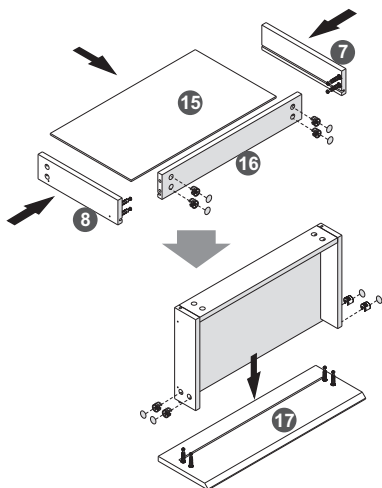
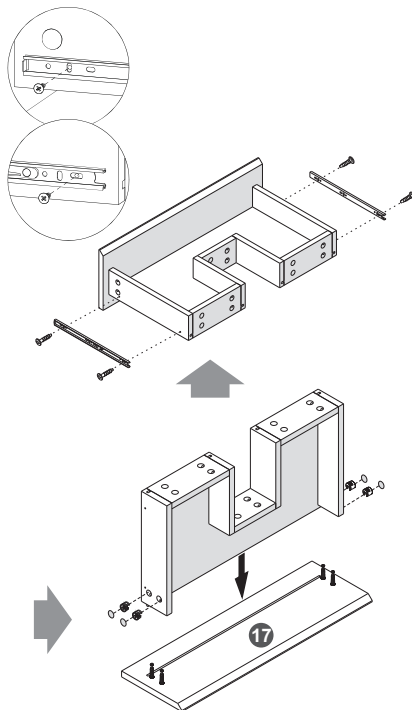
Step3



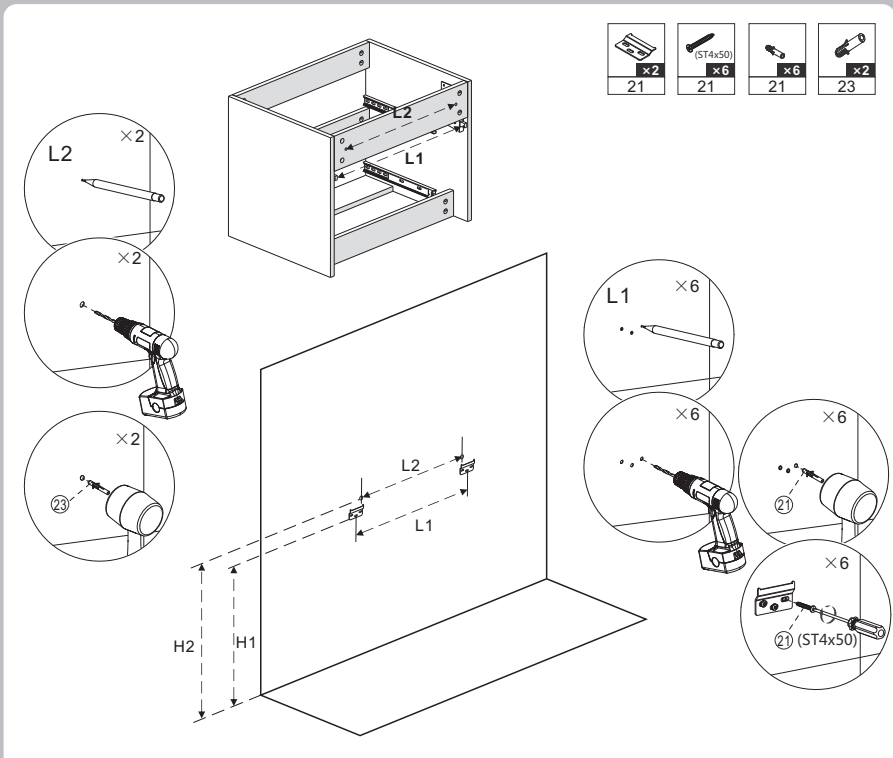
Step 4



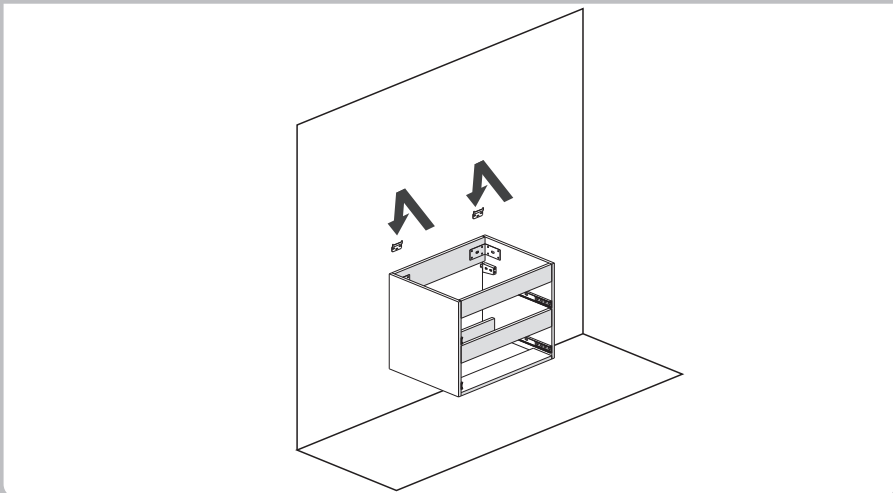
 x24 18	 x24 18	 x24 18	 x8 19	 S x4 20
--	--	--	---	--



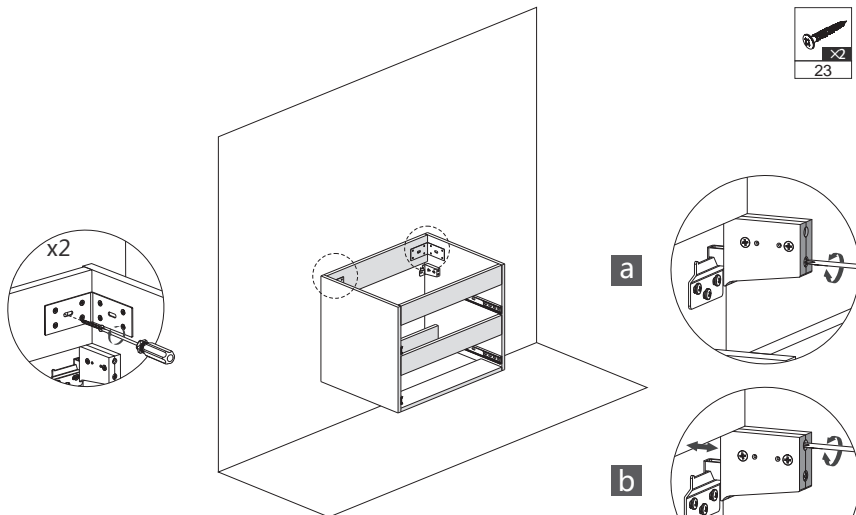
Step5



Step6

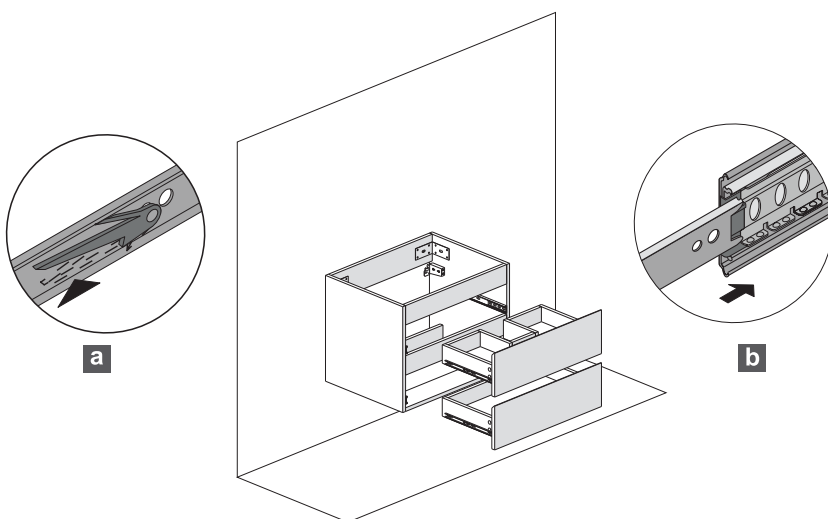


Step7

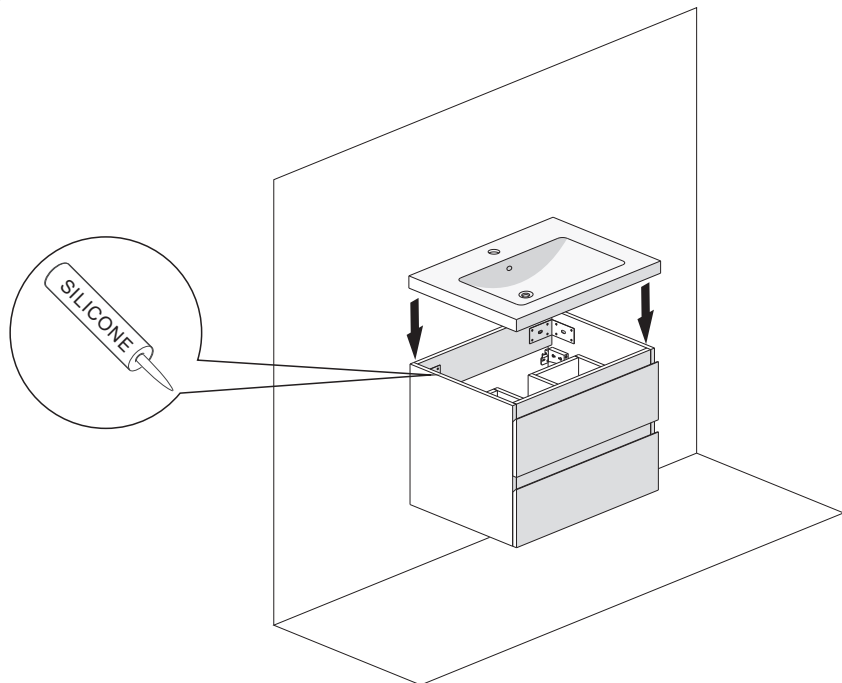


● Adjust the position of the hinge by loosening or tightening the screws.

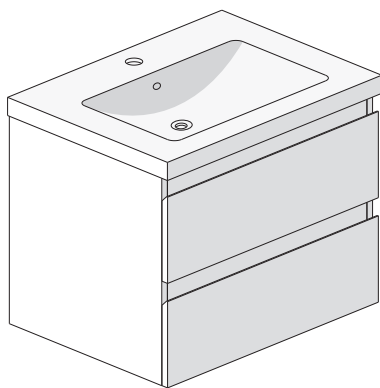
Step8



Step9



Fix the sink and cabinet by silicone.



Put into use after 24 hours.