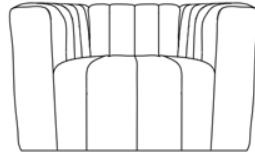


# INSTALLION & ASSEMBLY

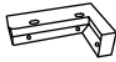
## PARTS LIST

A



×1

DL



×2

DL



×2

E



×1

## HARDWARE LIST

1



×8

2



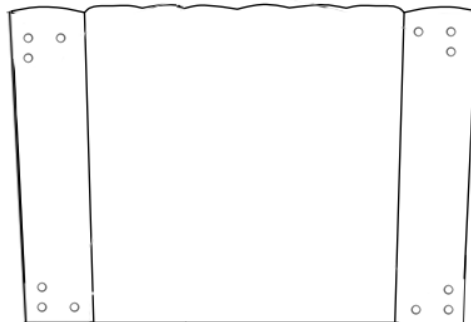
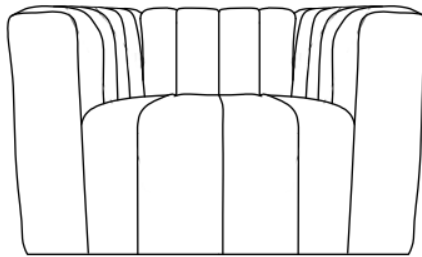
×8

3

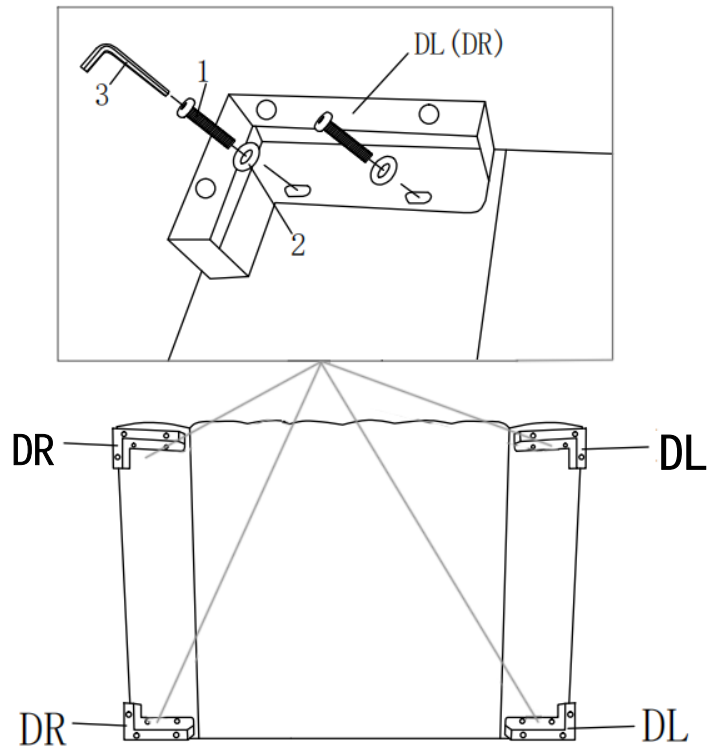


×1

Step1



Step2



Step3

