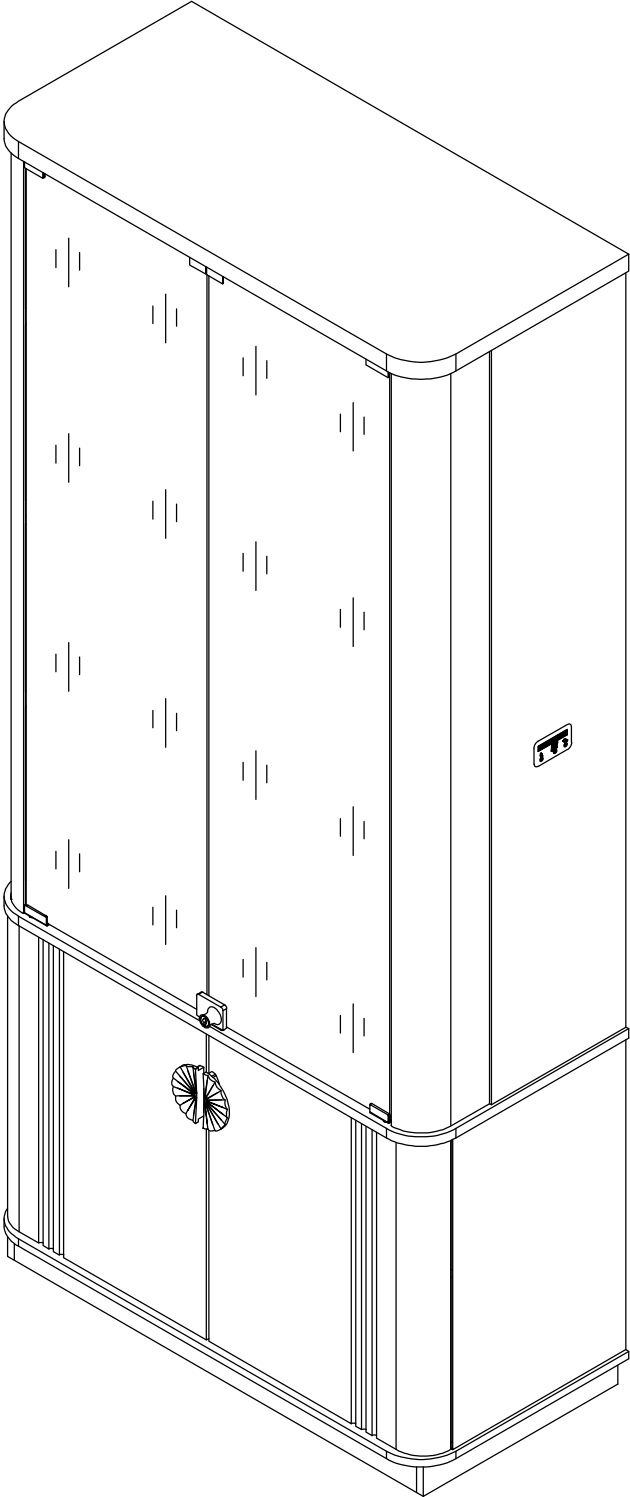
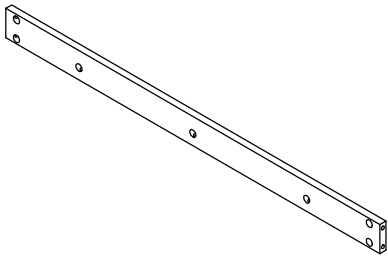
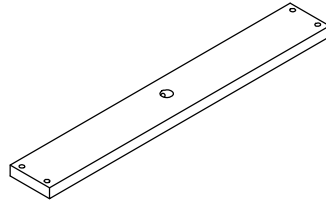


# Product Installation Instructions

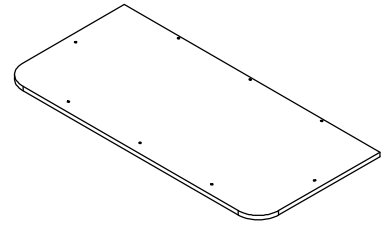




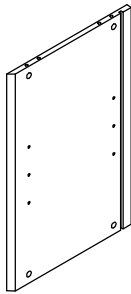
1x2



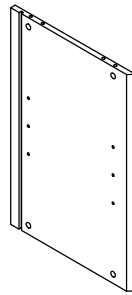
2x2



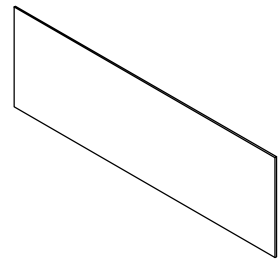
3x1



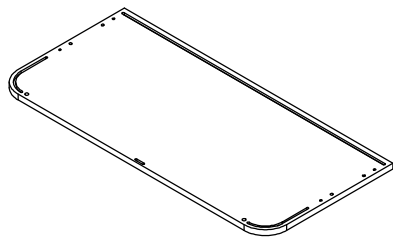
4x1



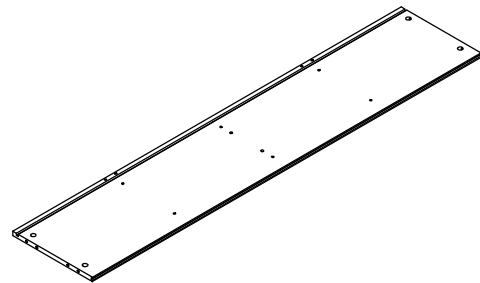
5x1



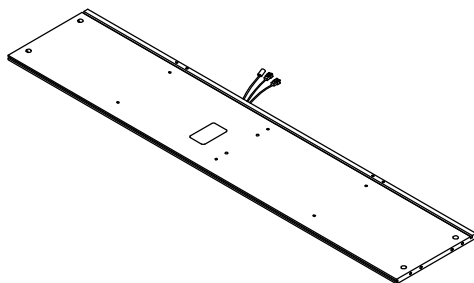
6x2



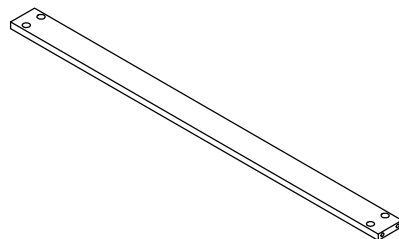
7x1



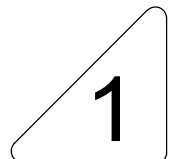
8x1



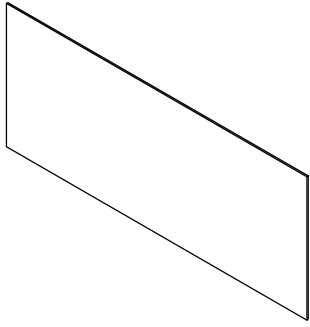
9x1



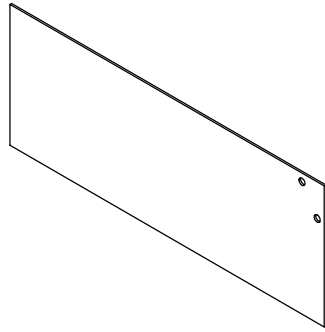
10x2



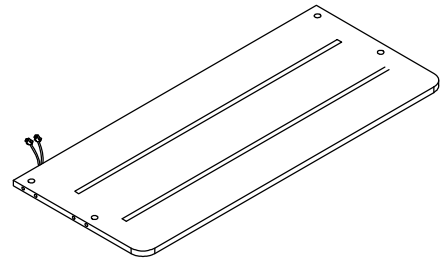
1



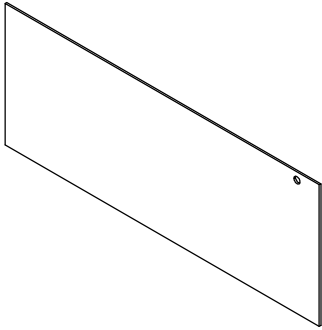
11x2



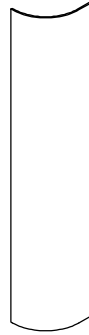
12x1



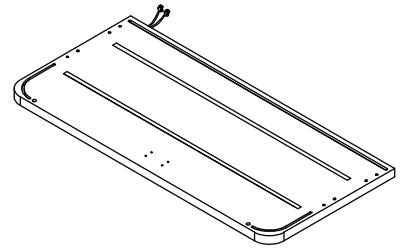
13x1



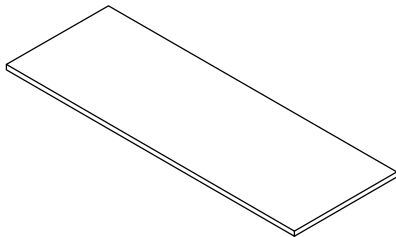
14x1



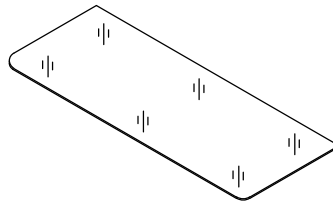
15x2



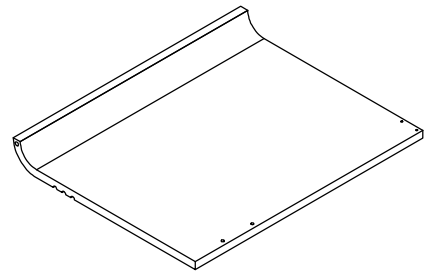
16x1



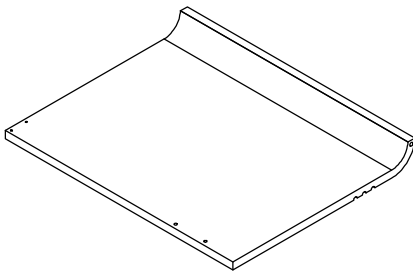
17x1



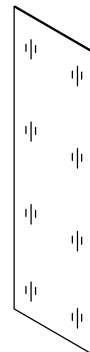
18x2



19x1



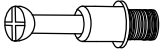

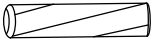

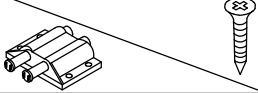



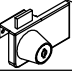

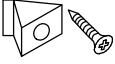


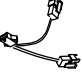

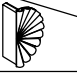







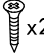





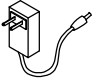
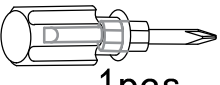
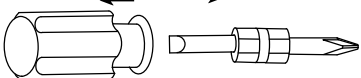

20x1



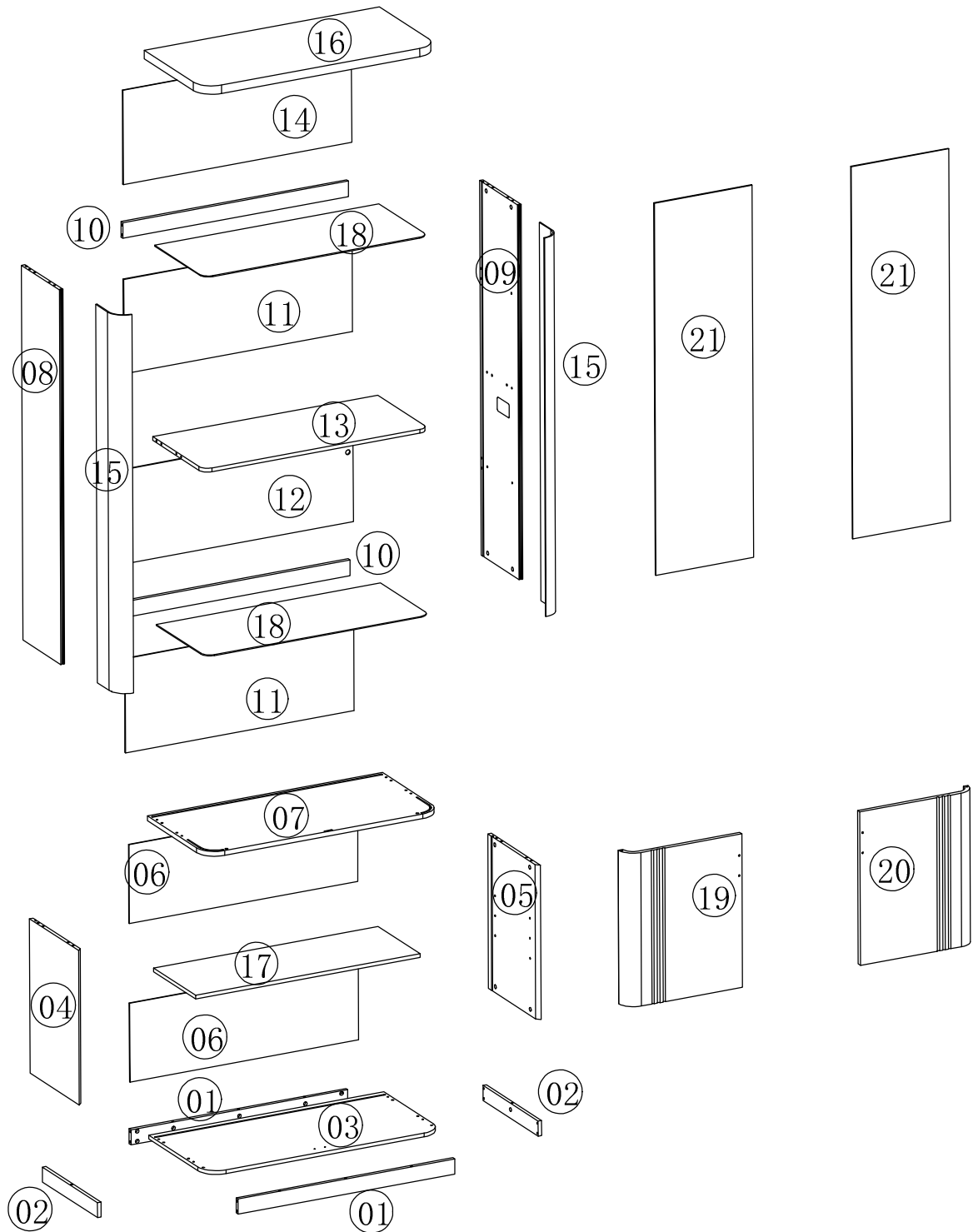
21x2



2

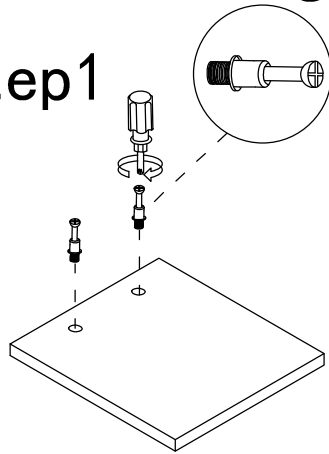
A		Two in one screw (6x28mm)	44pcs +4pcs
B		Two in one nut (10x12mm)	44pcs +4pcs
C		Wood chipping (6x30mm)	20pcs +4pcs
D		Non-slip pads (50x10)	6pcs
E		Rebound device & Screw (3x16mm)	4pcs +1pcs
		Rubber ring	1pcs 4pcs
		Iron sheet & Hinge	2pcs
F		Laminate support nail	8pcs +1pcs
G		Double glass door lock	2pcs
		Key	1pcs
H		Fixing clip & screw (3x16mm)	20pcs +2pcs
I		Wire clamp	2pcs +1pcs
J		Laminated clamp	4pcs
K		Forked line	2pcs
L		Door shaft	4pcs
M		Handle & Screw (4x20mm)	4pcs +1pcs
			2pcs
N		Door Magnet & Screw (3x16mm)	2pcs +1pcs
			1pcs
O		Iron Sheet & Screw (3x10mm)	4pcs +1pcs
			2pcs
P	Anti Fall Hardware	 x2  x2  x2 (3.5x14mm)  x2 (4x45mm)  x4	
Q		module	1pcs
R		PVC	1pcs
S		Washer & Screw (3.5x12mm)	3pcs
		AC/DC Adapter (12V=3.0A)	1pcs
<p>Double-head screwdriver, use as required</p>  1pcs 			

# Product structure decomposition

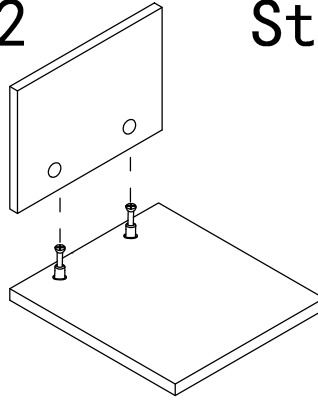


# Use parts A and B

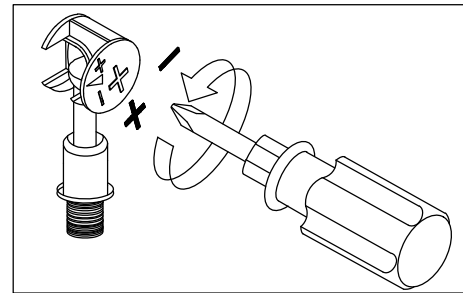
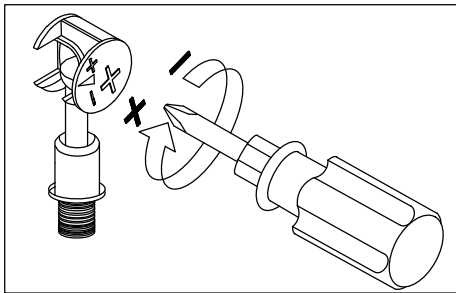
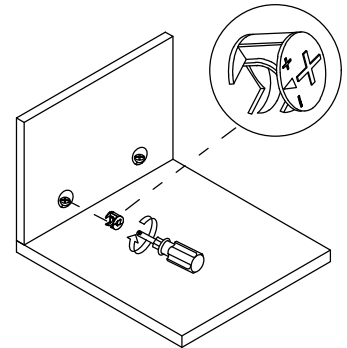
Step1



Step2



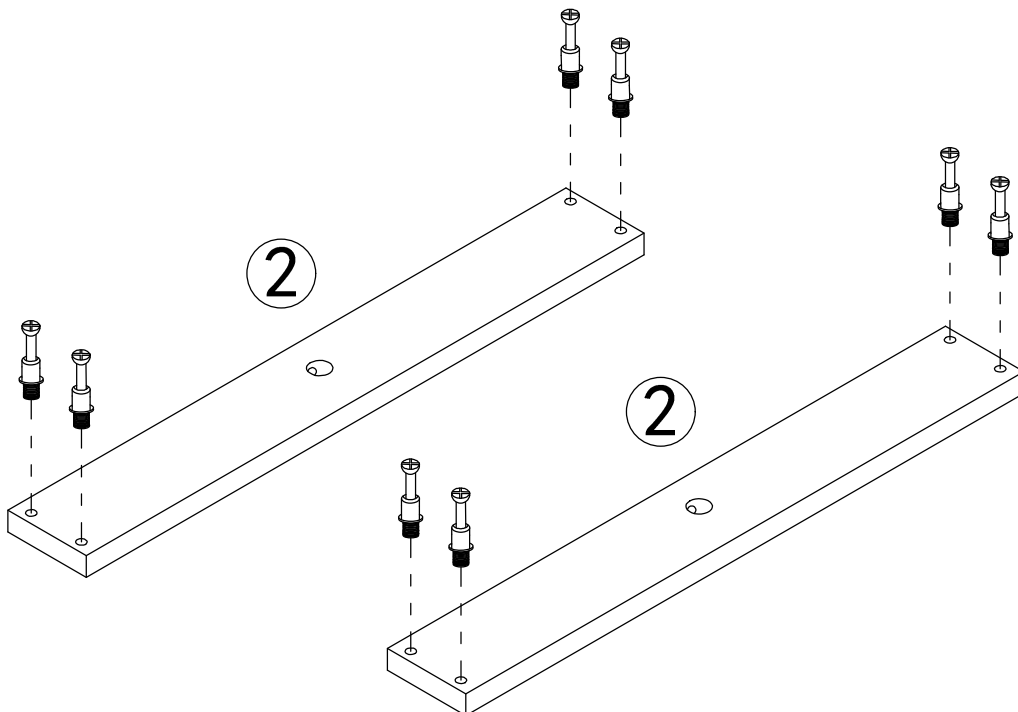
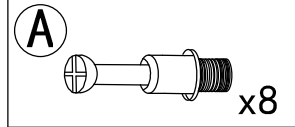
Step3



Use a screwdriver to lock in the direction of the "+" sign

Disassemble along the direction of "-" sign

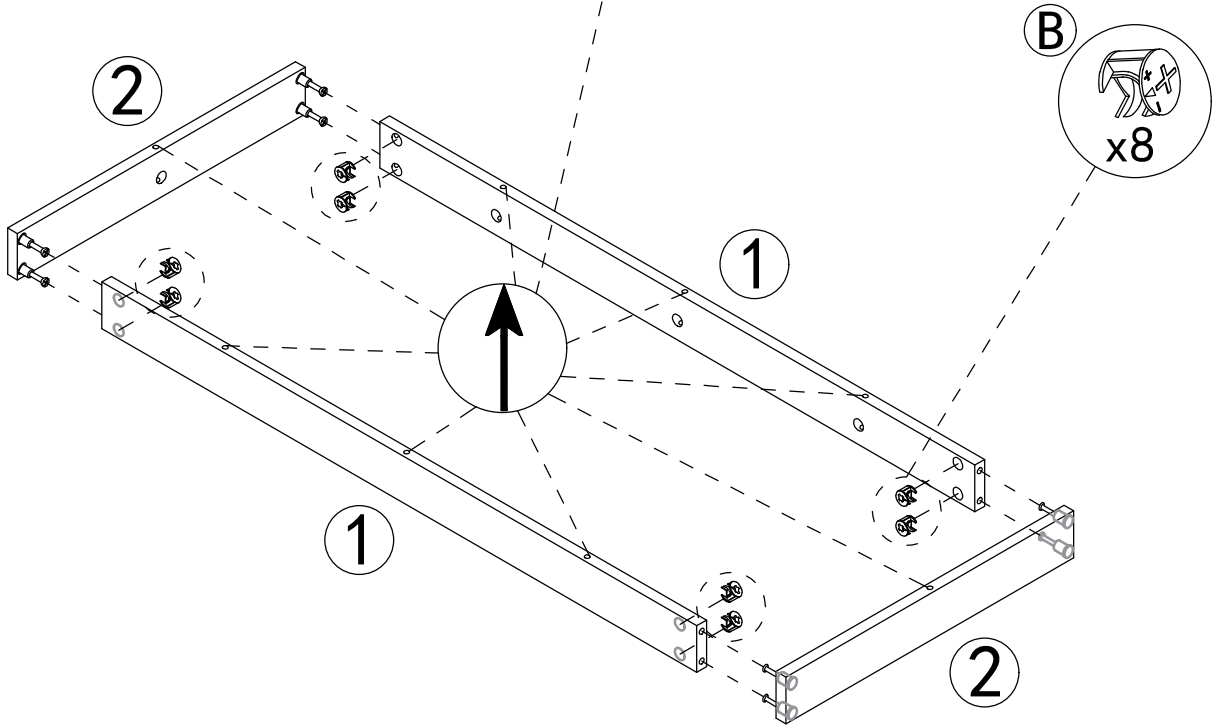
Step 1



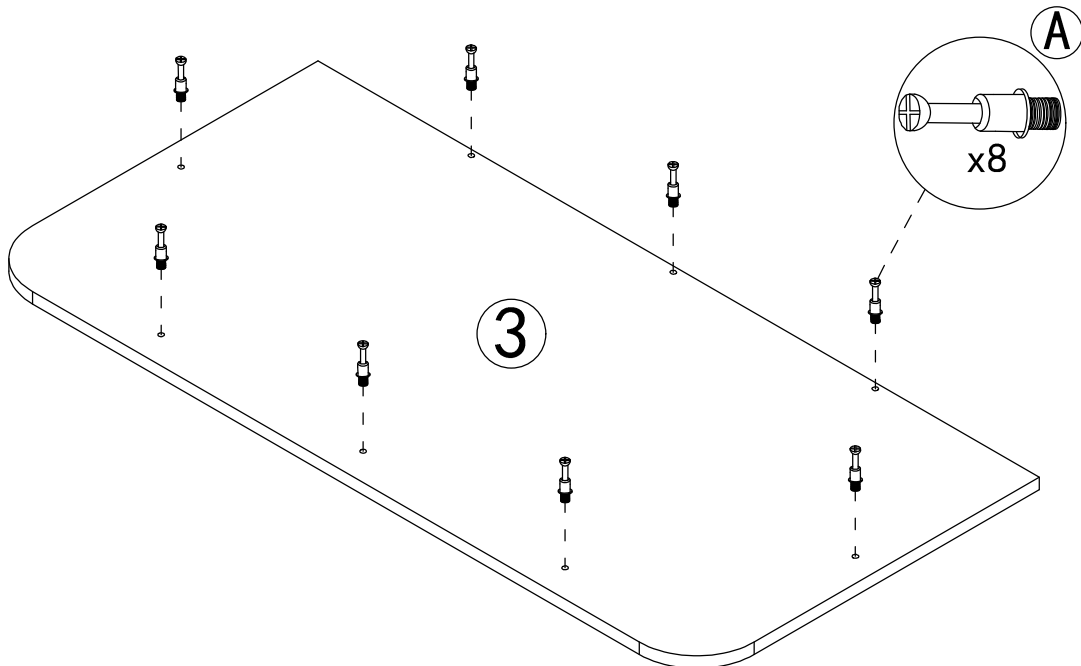
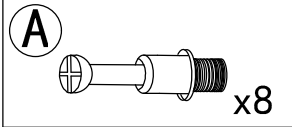
5

Step 2

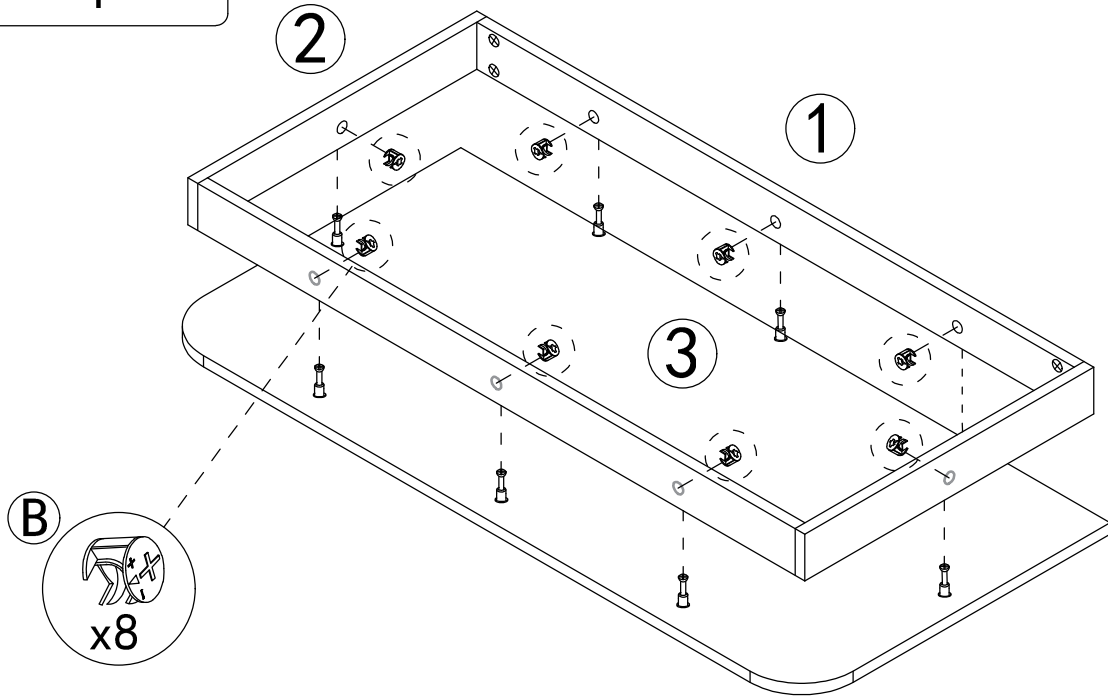
Ensure the holes are on the same plane before installation



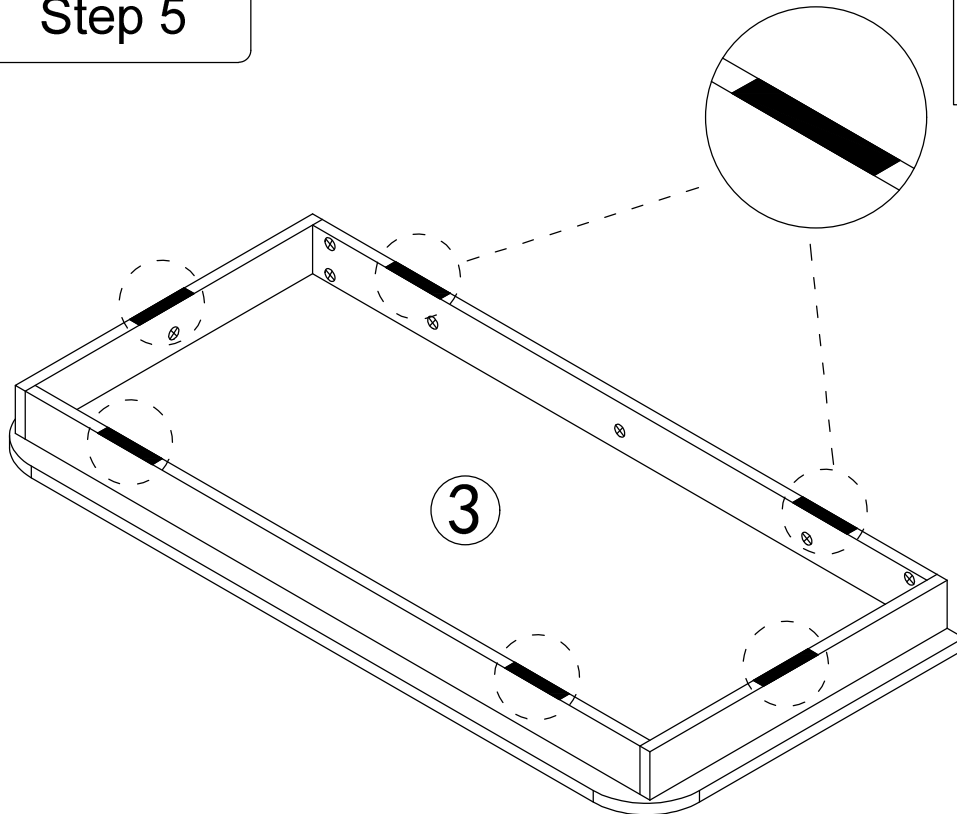
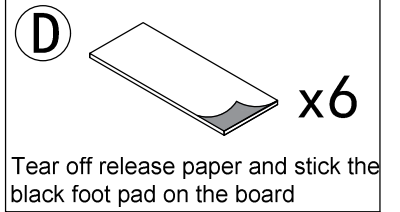
Step 3



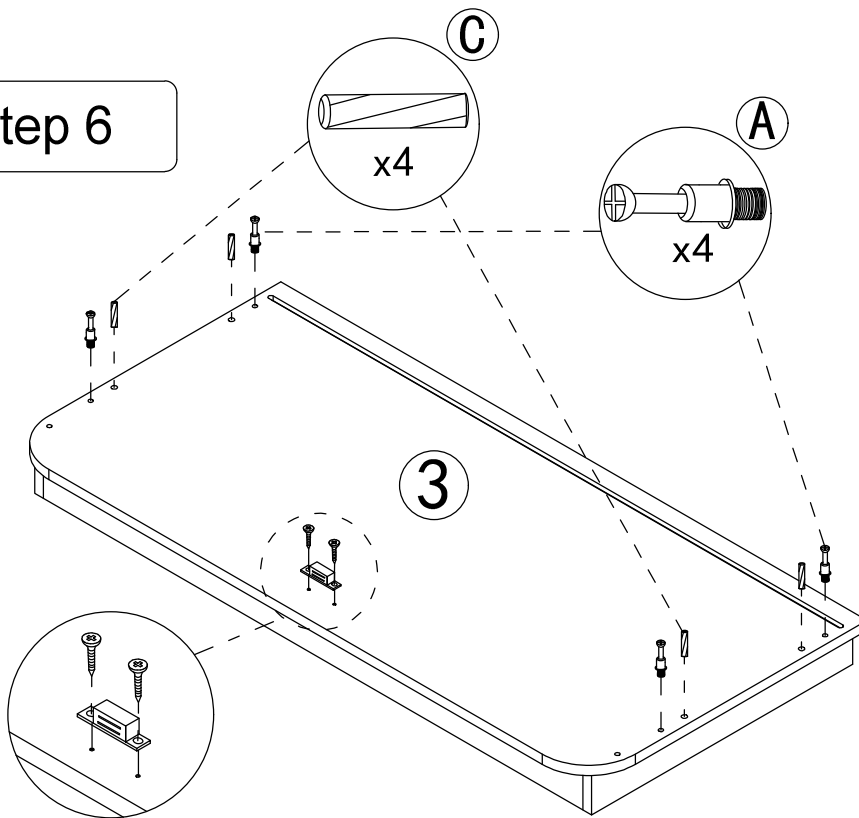
# Step 4

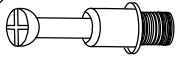
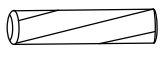
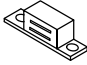



# Step 5



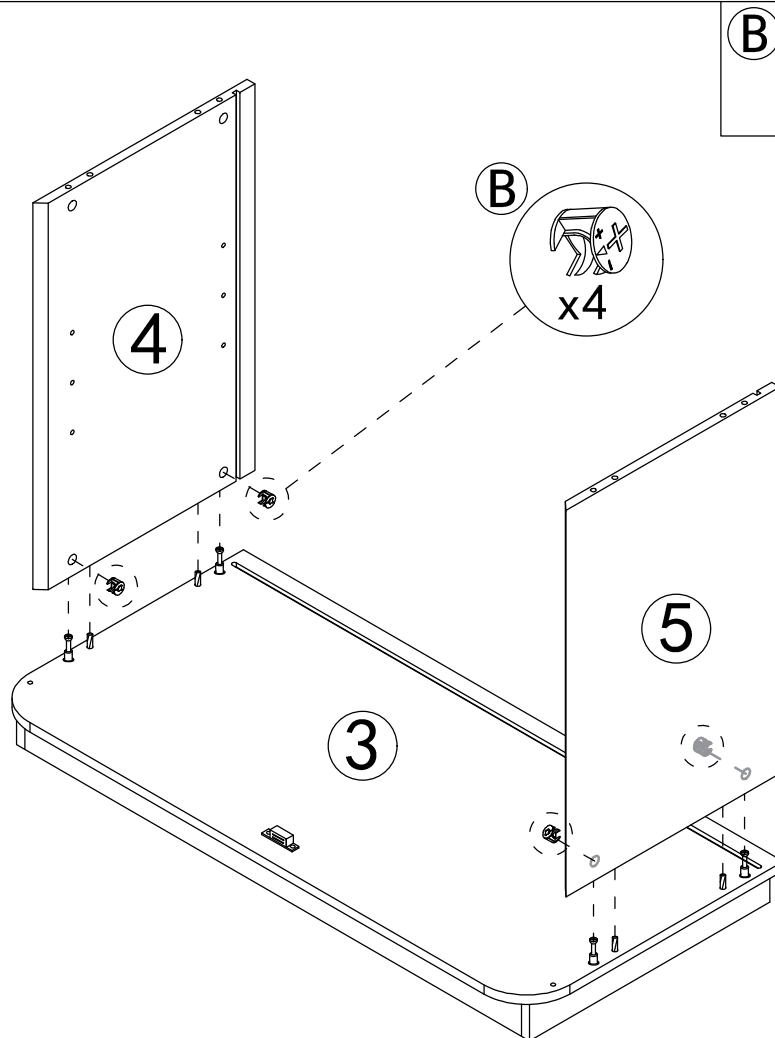
# Step 6




- A**  x4
- C**  x4
- N**  x1  x2

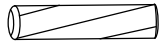
Turn the whole panels upside down, continue installing the screws.

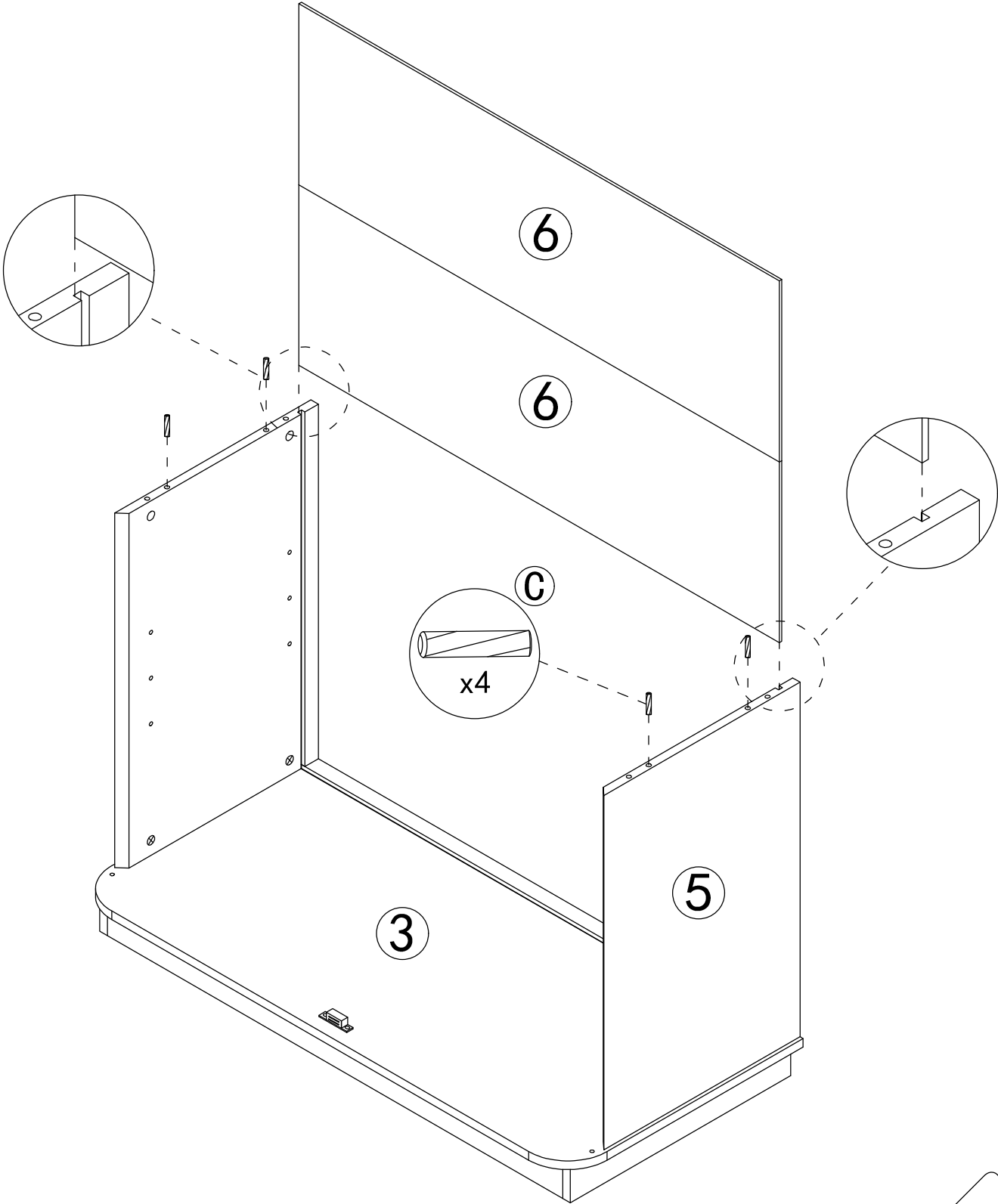
# Step 7



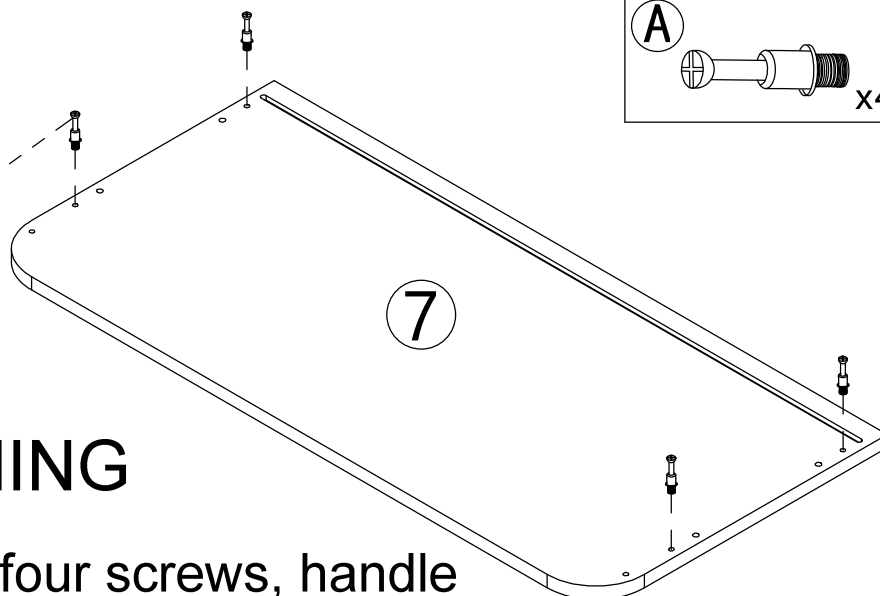
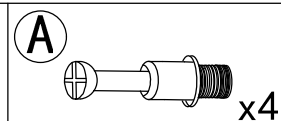
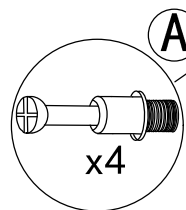
- B**  x4

Step 8

C  x4



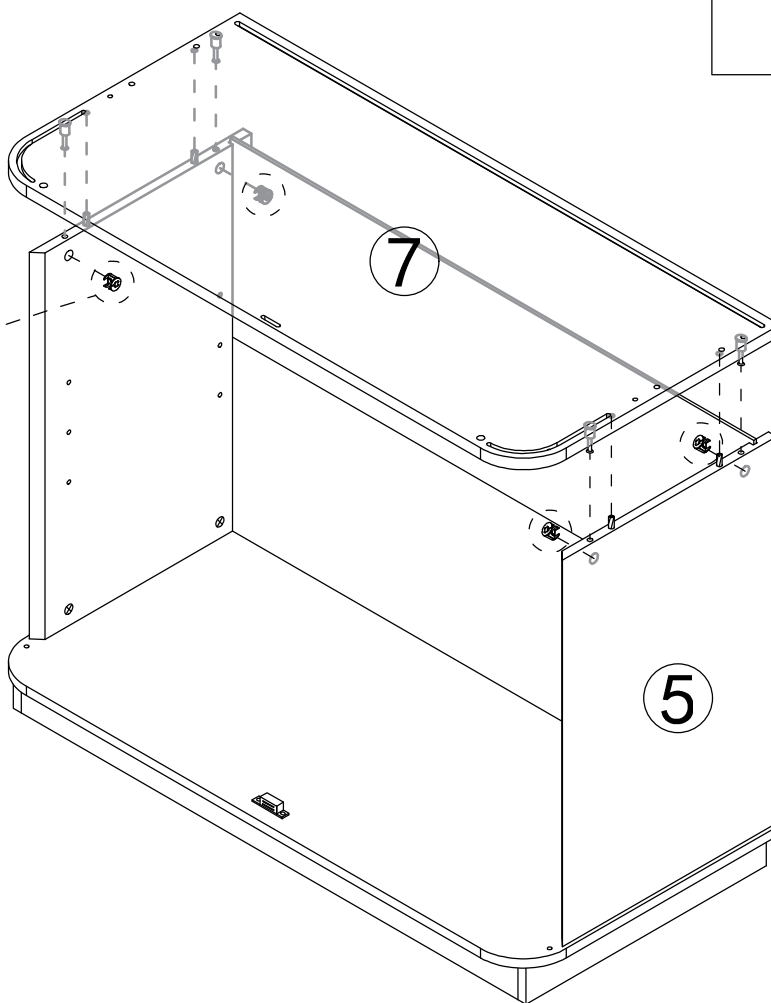
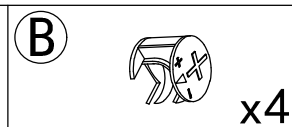
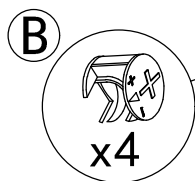
Step 9



 **WARNING**

When installing the four screws, handle them carefully and insert them slowly. Do not over-tighten, or the panel will be damaged.

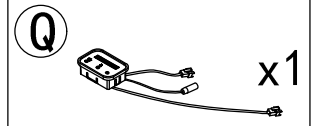
Step 10



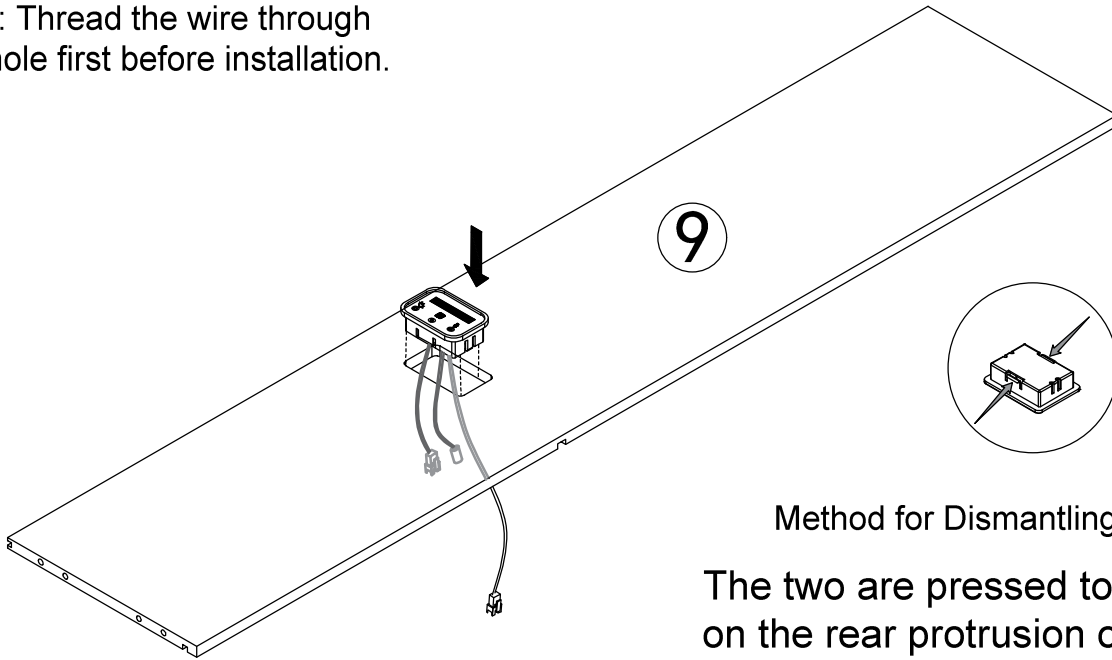
10

## Step 11

Align the holes  
Slap it down with your hand.



Note: Thread the wire through the hole first before installation.



Method for Dismantling Modules

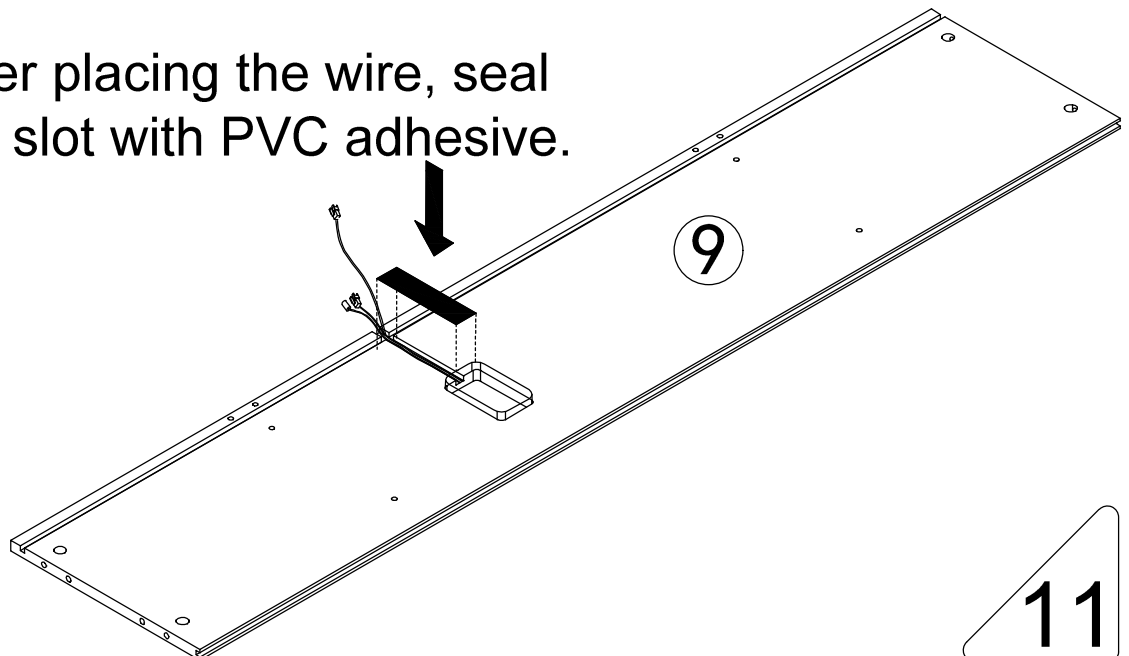
The two are pressed together on the rear protrusion of the box. The box will be detached from the board.

## Step 12

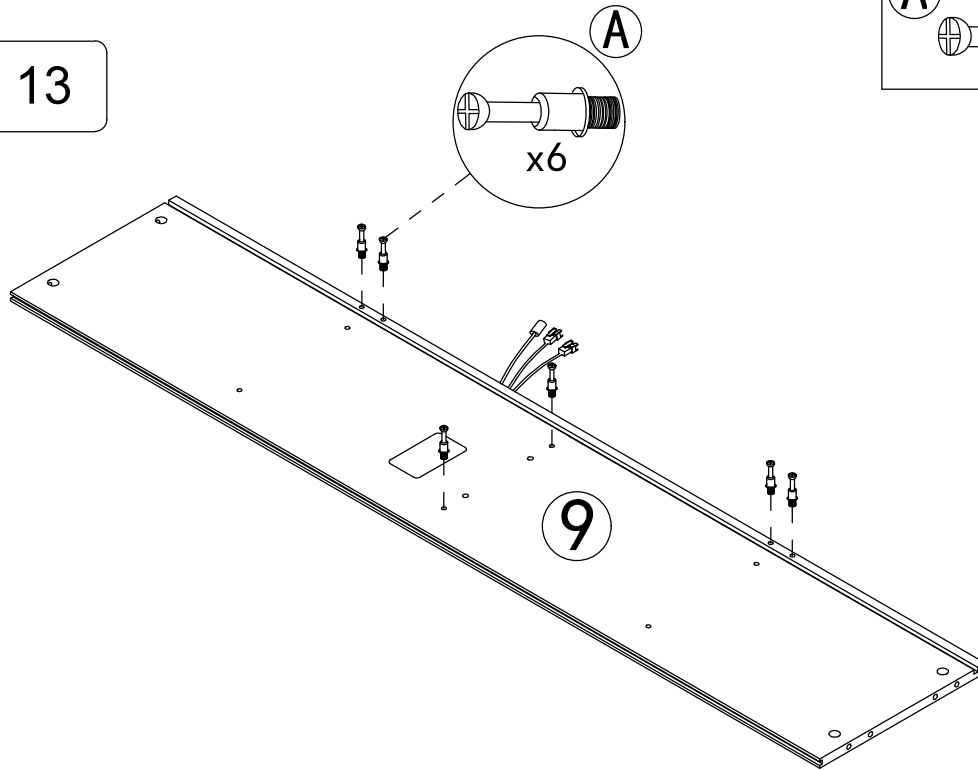
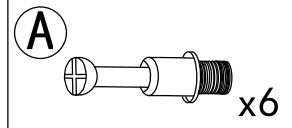


Step 1 Note: Align the direction of the wire with the slot.

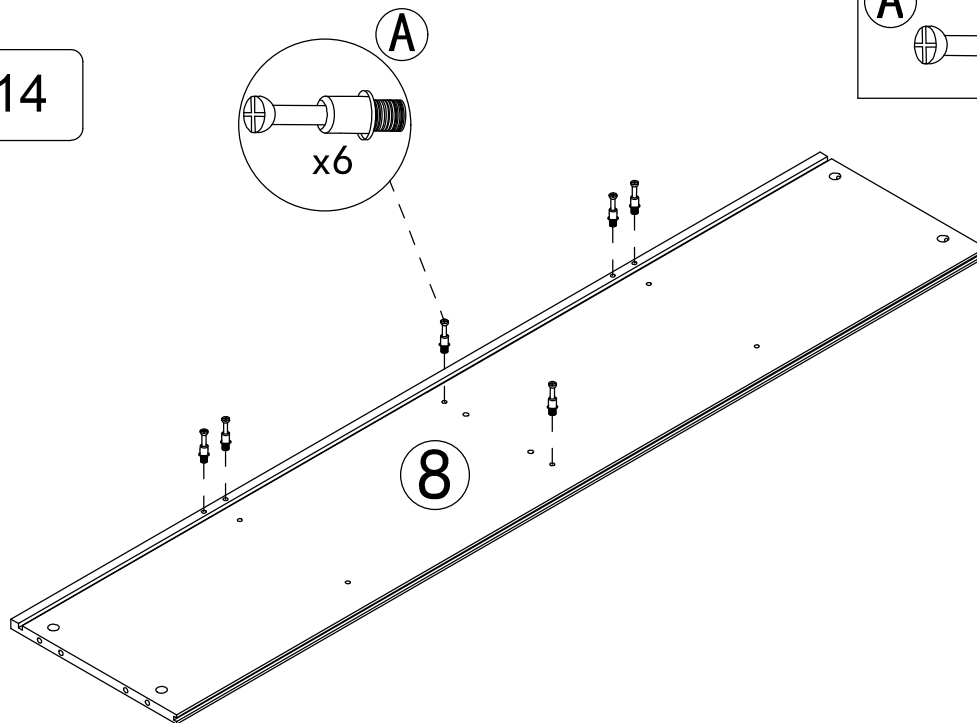
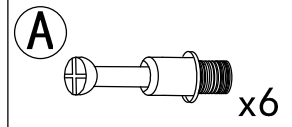
Step 2 After placing the wire, seal the slot with PVC adhesive.



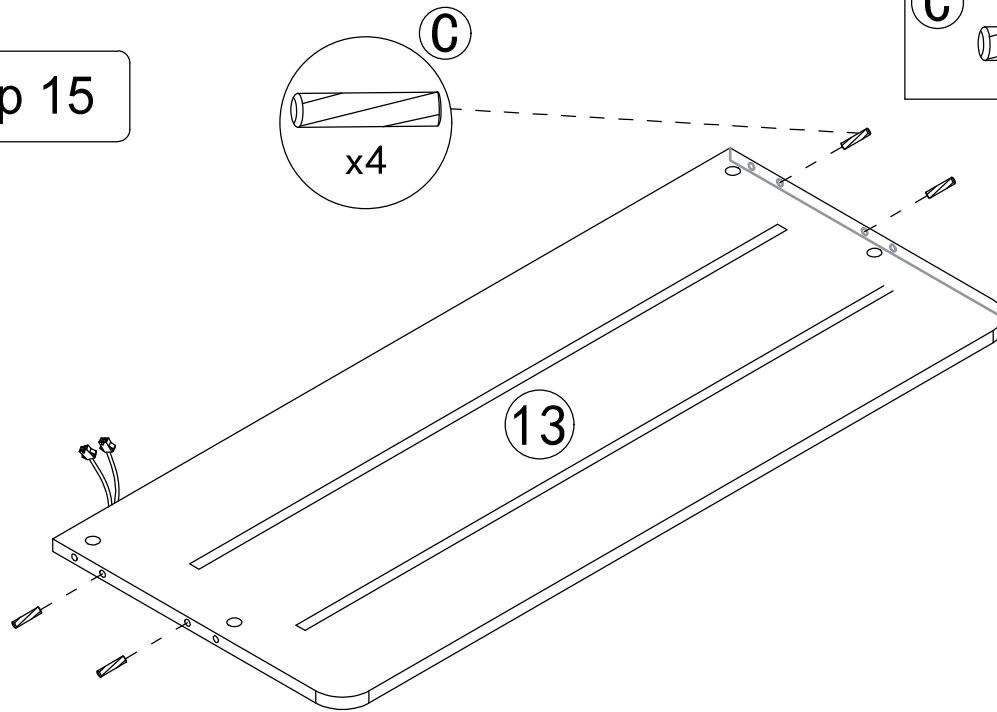
Step 13



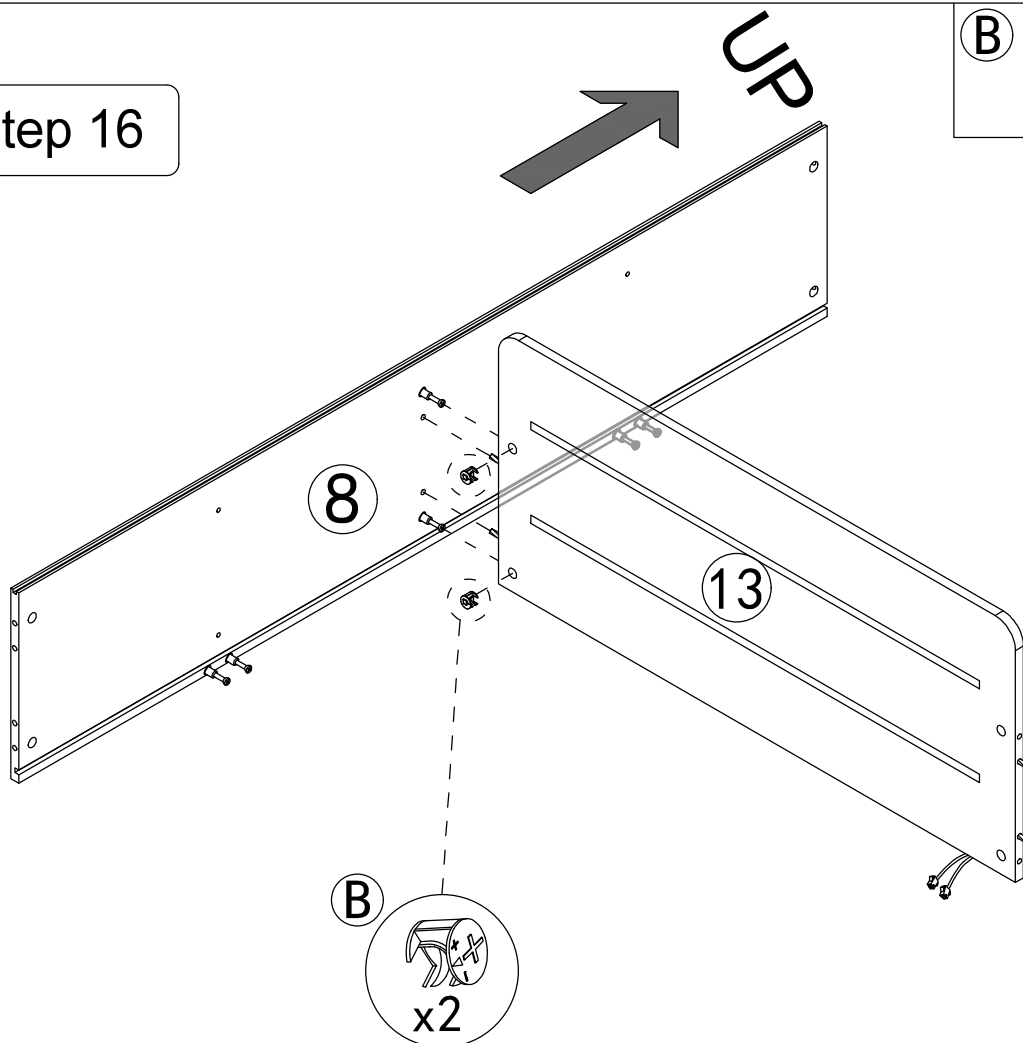
Step 14



Step 15



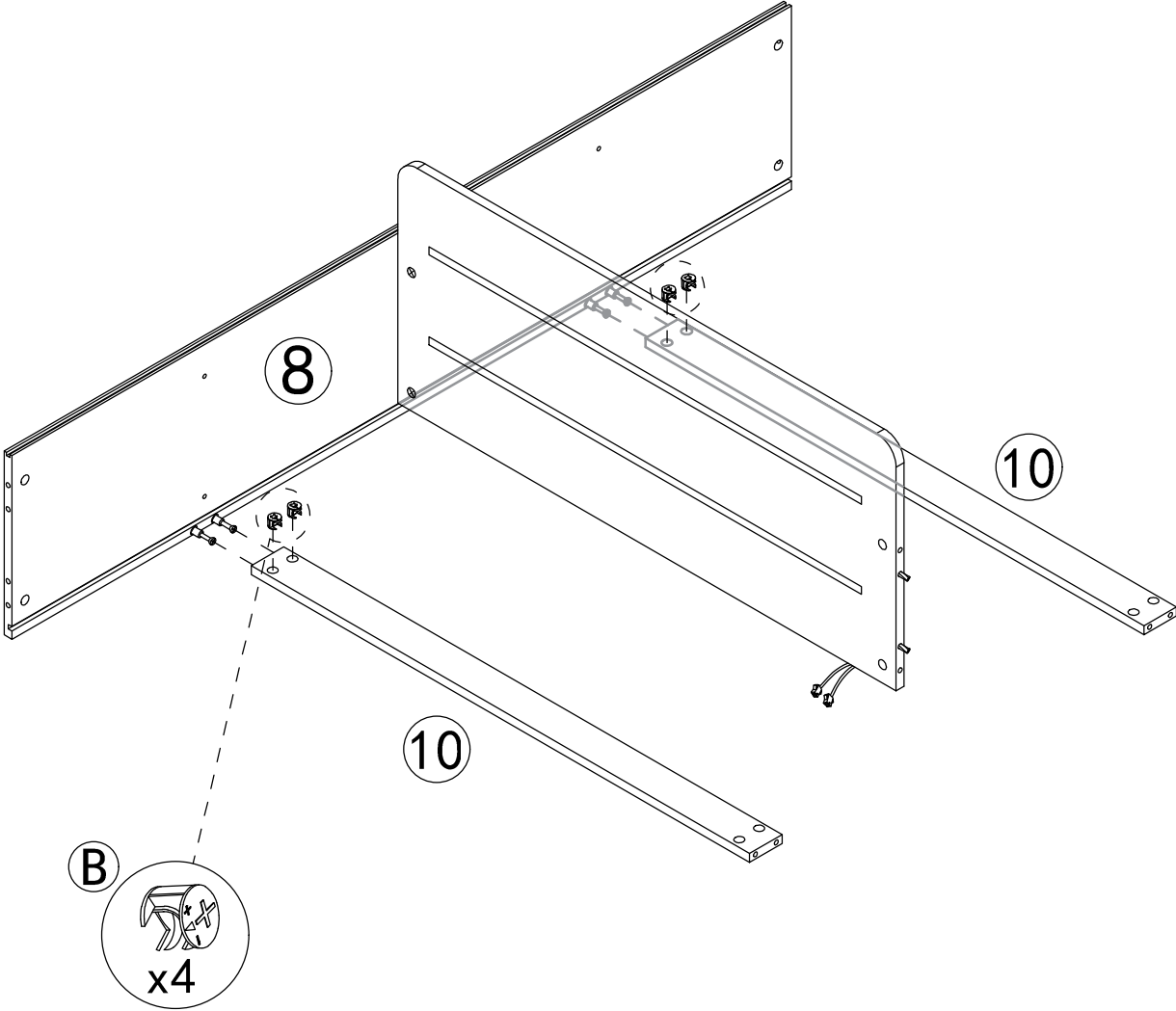
Step 16




13

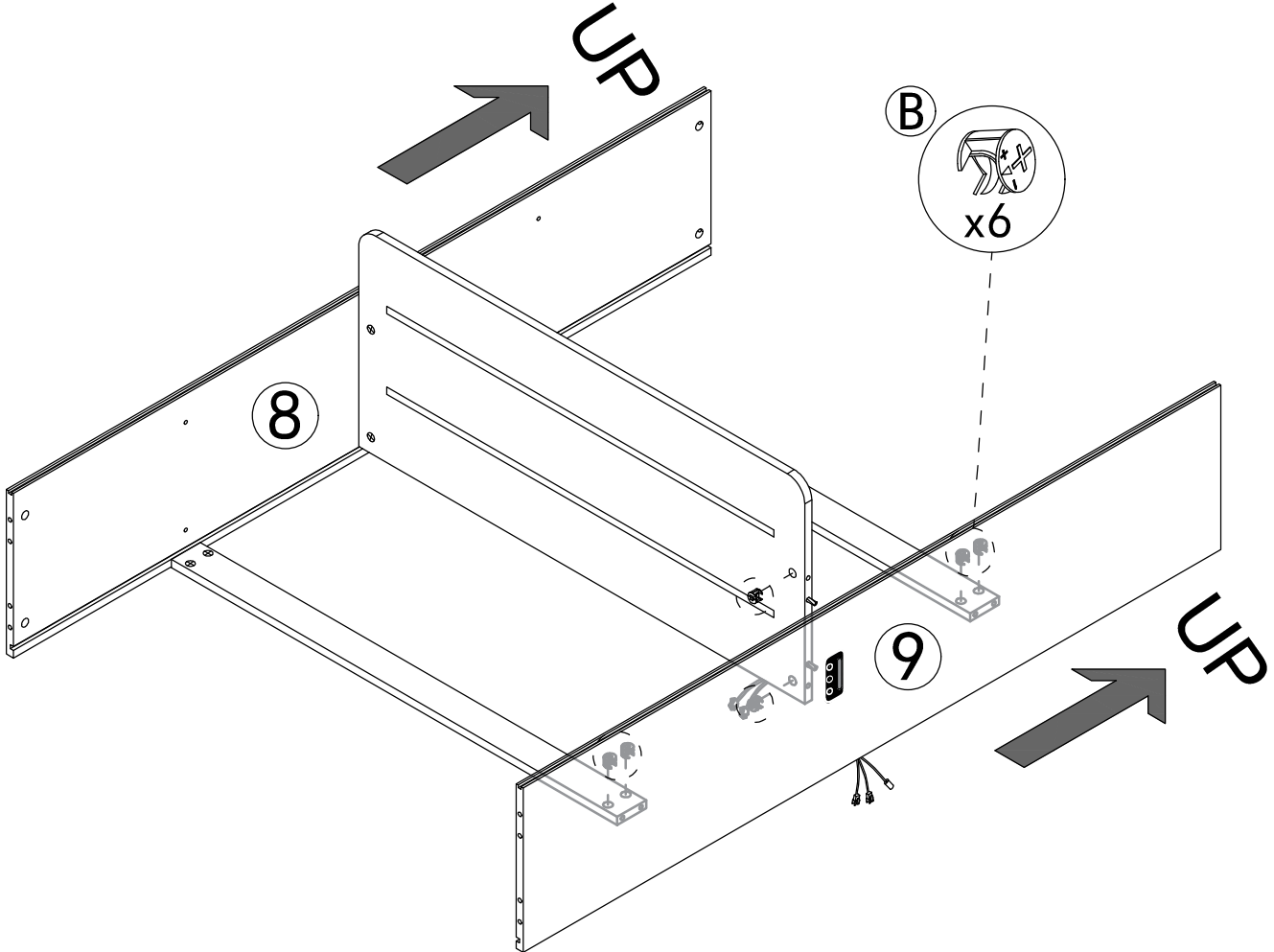
Step 17

**B**  x4



Step 18

(B)  x6

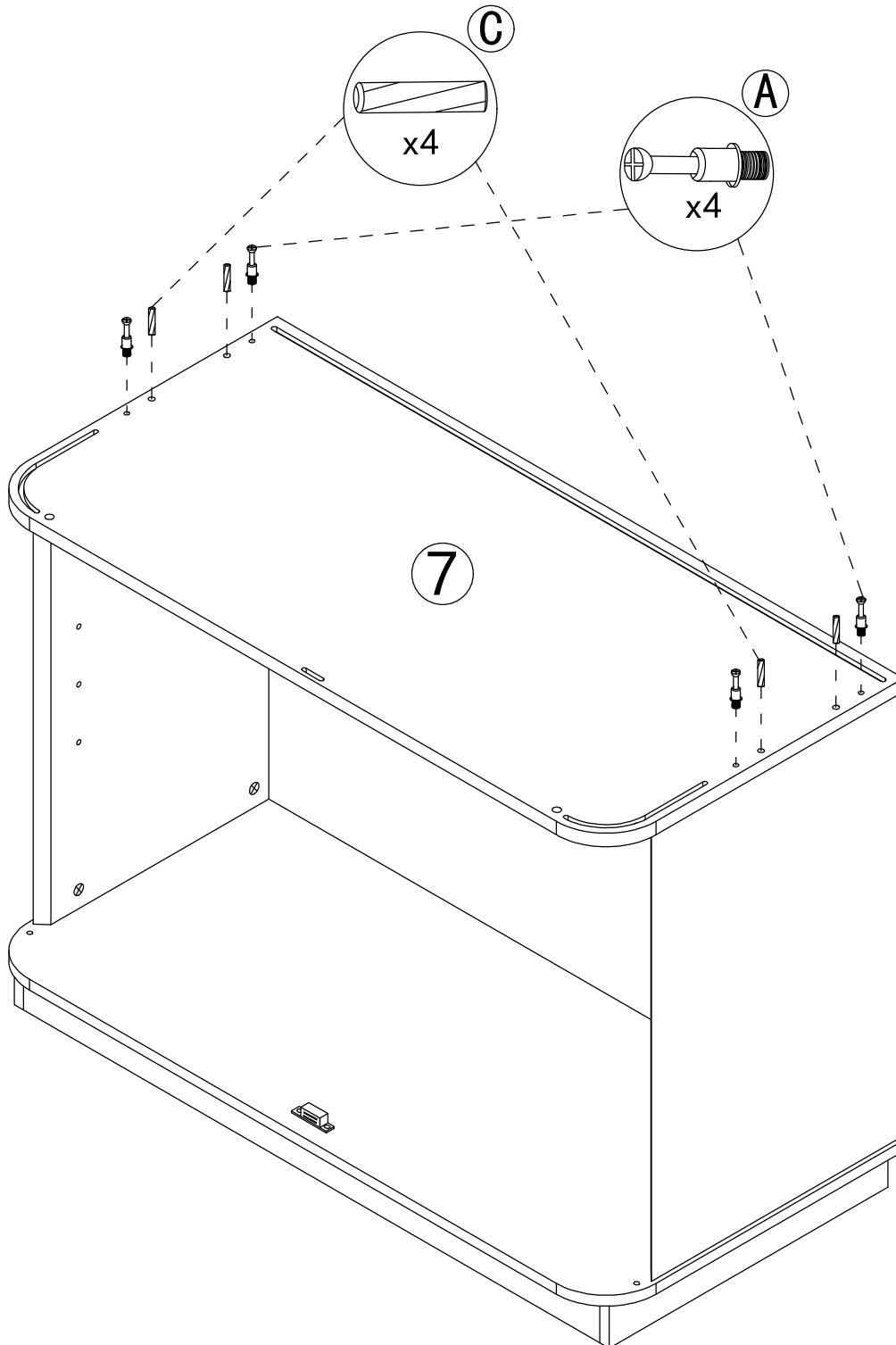
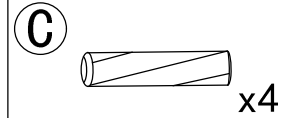
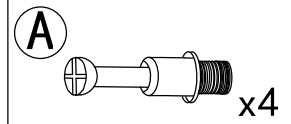


# Step 19





# WARNING

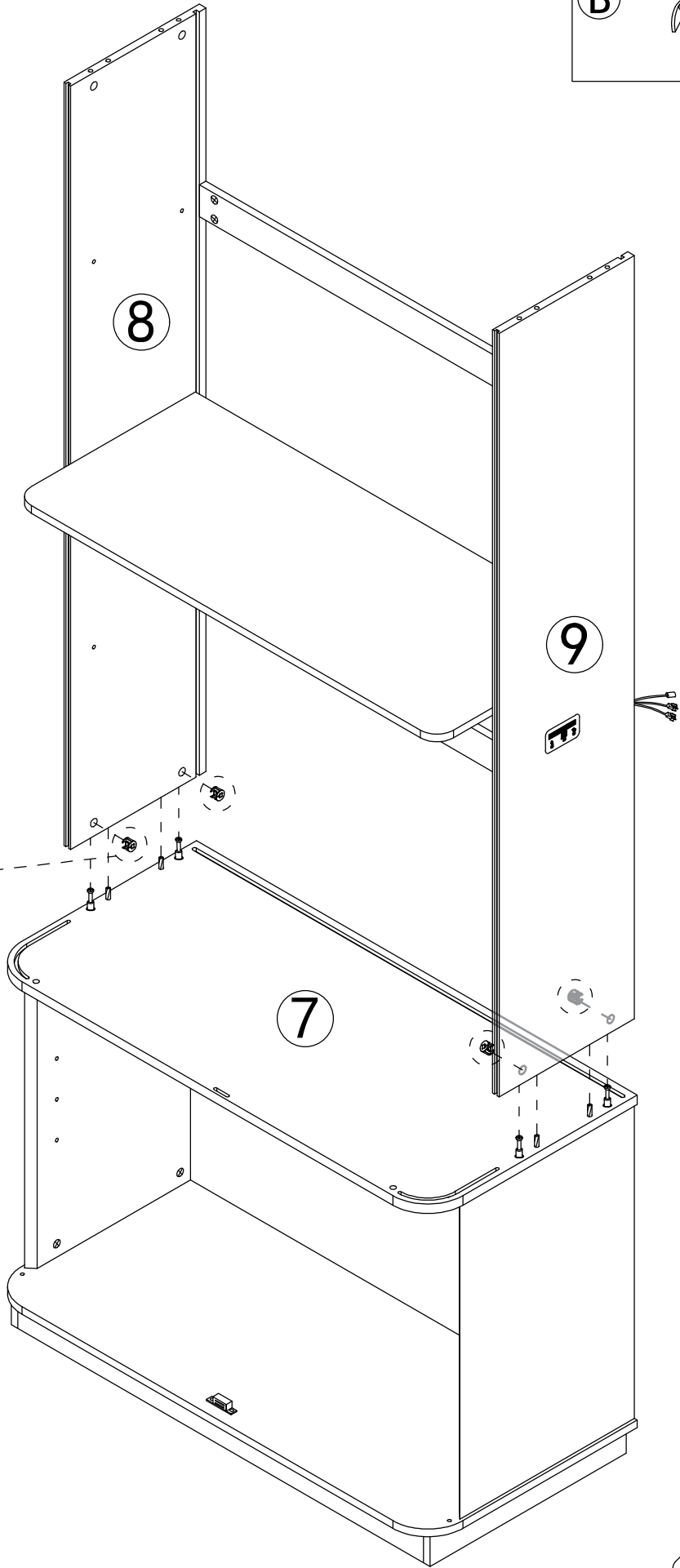
When installing the four screws, handle them carefully and insert them slowly. Do not over-tighten, or the panel will be damaged.



Step 20

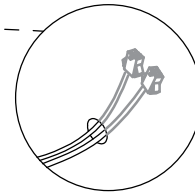
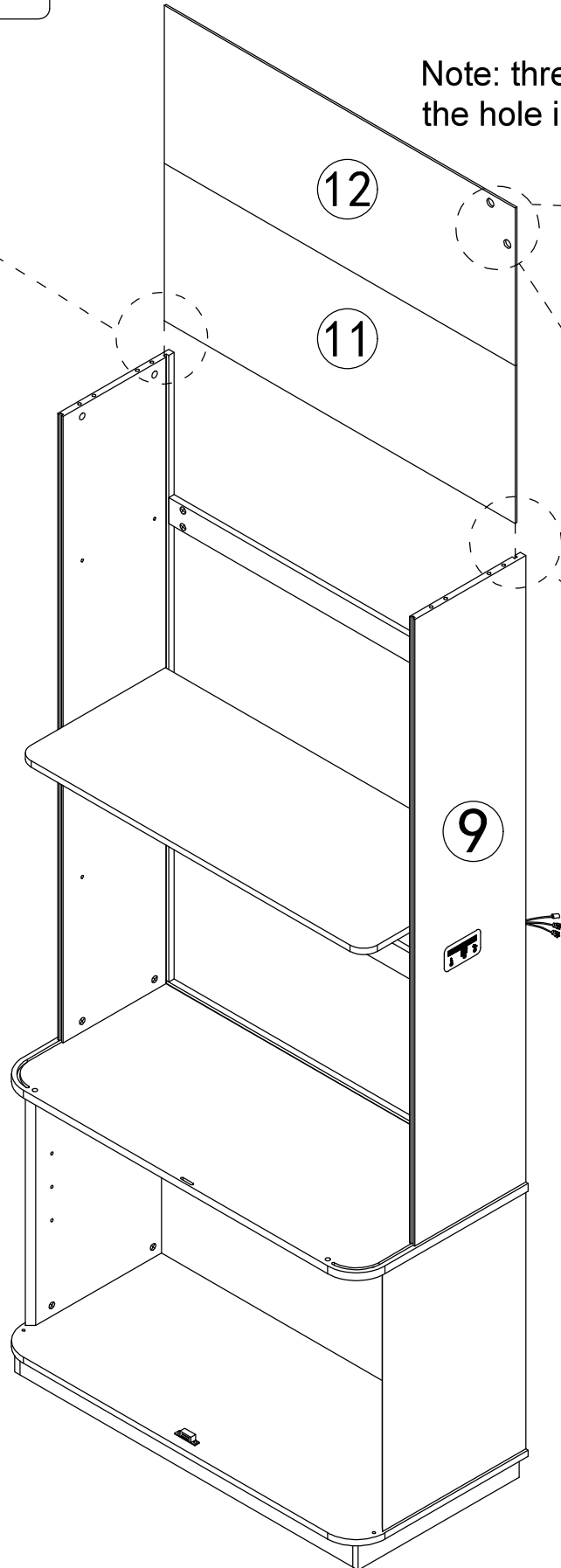
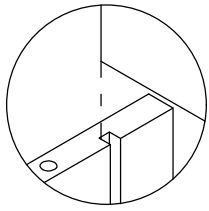
**B**  x4

**B**  x4

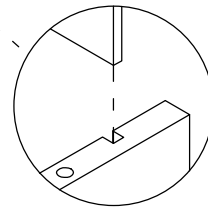
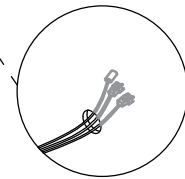


# Step 21

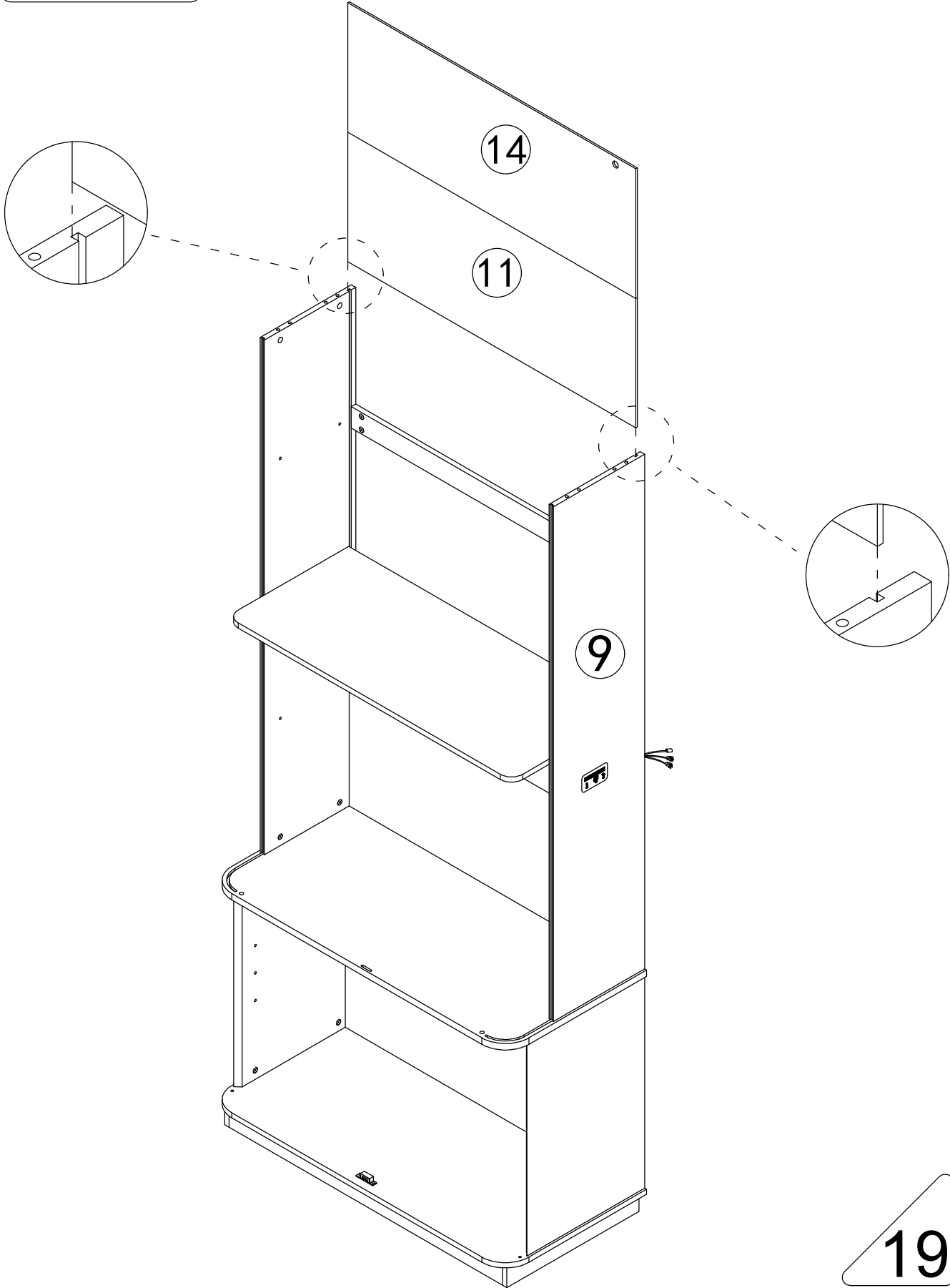
Note: thread the lamp wire through the hole in the back plate.



light wire exit hole

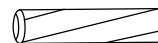


Step 22

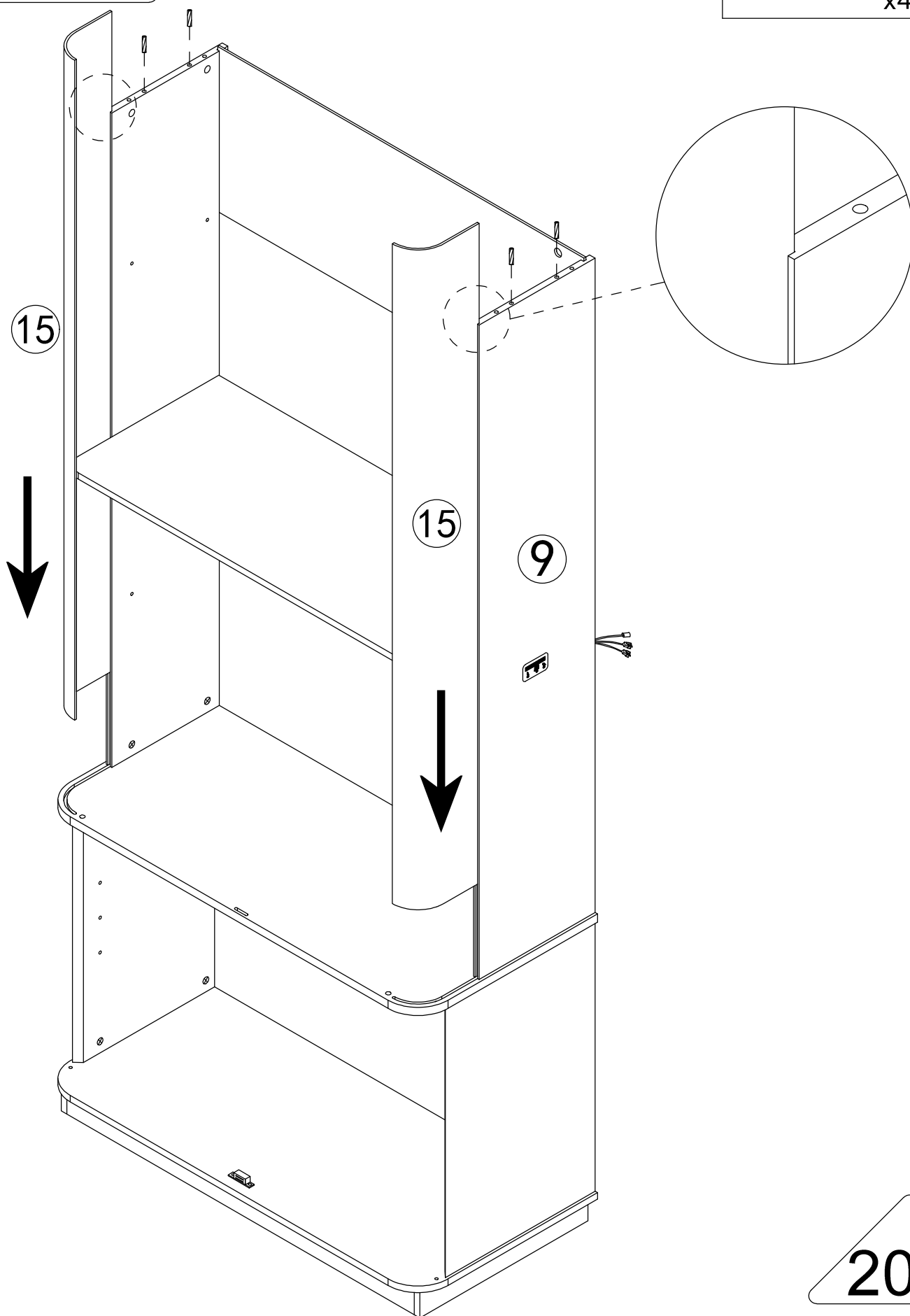


# Step 23

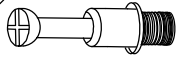
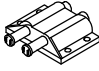

C

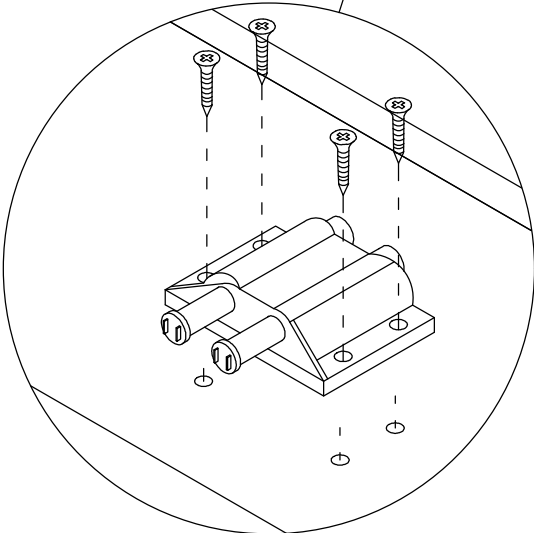
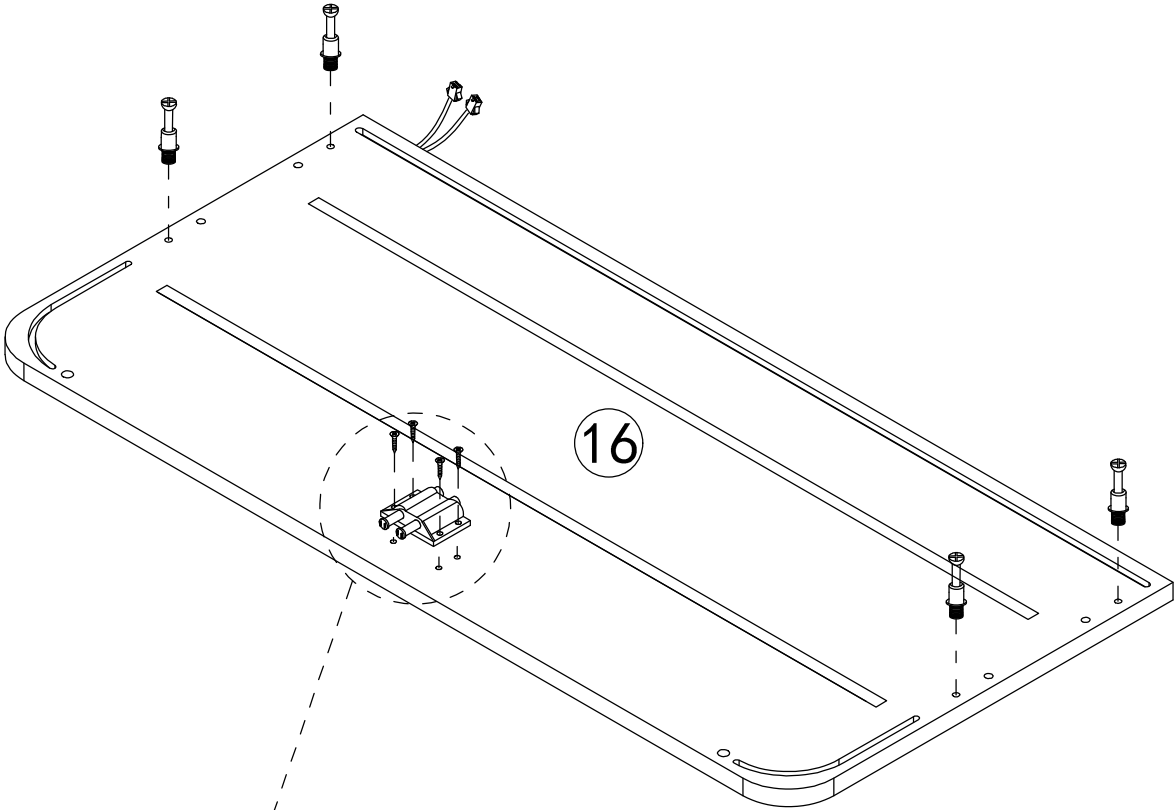


x4



Step 24

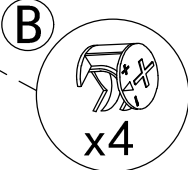
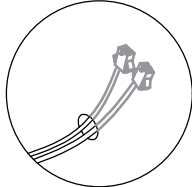
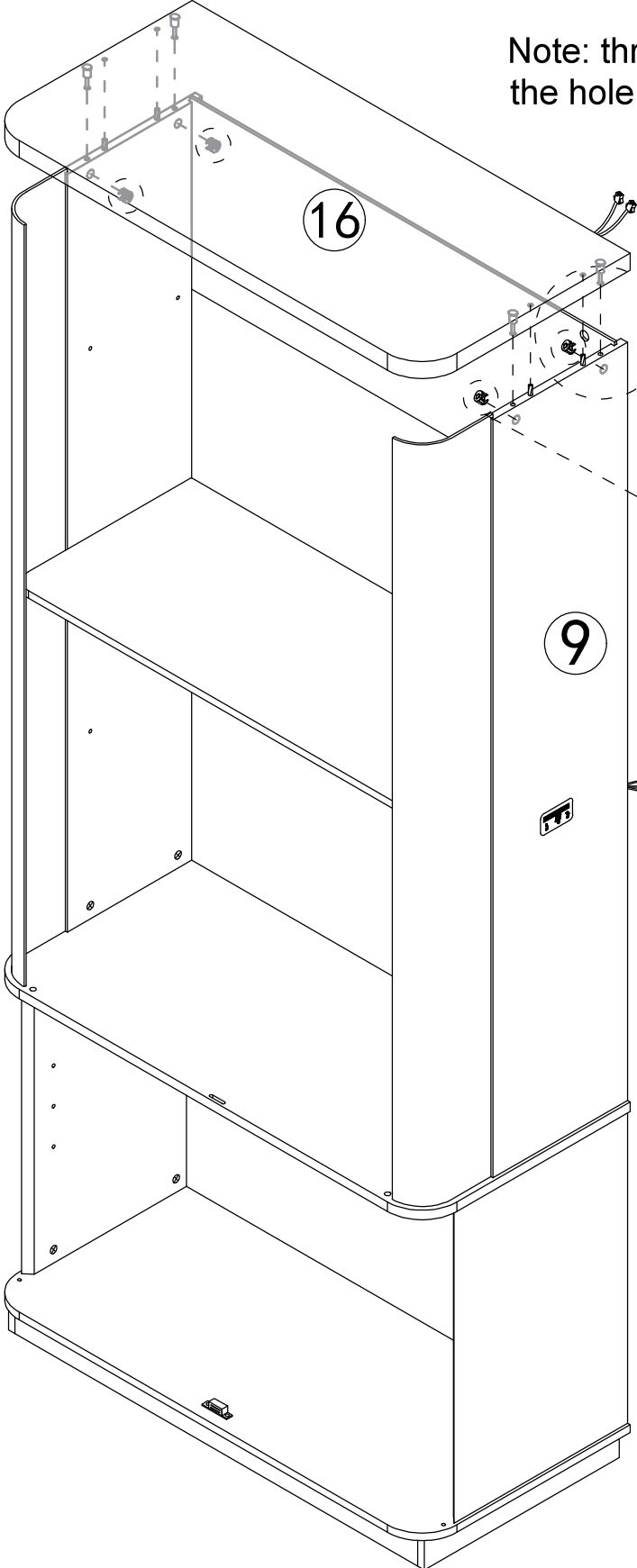
- A**  x4
- E**  x1  x4



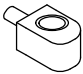
Step 25

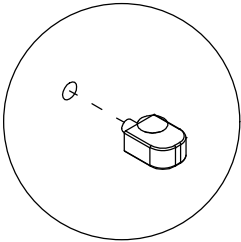
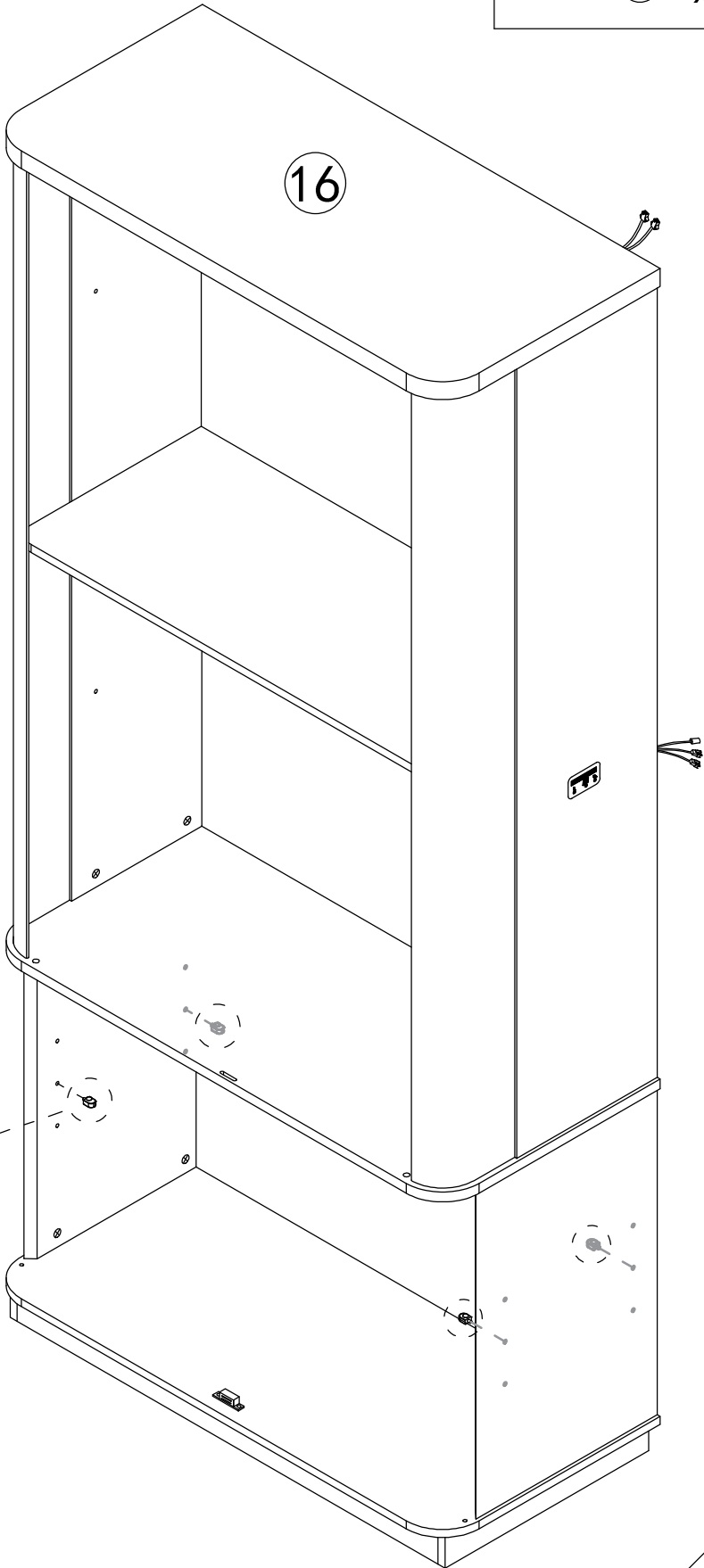
**B**  x4

Note: thread the lamp wire through the hole in the back plate.

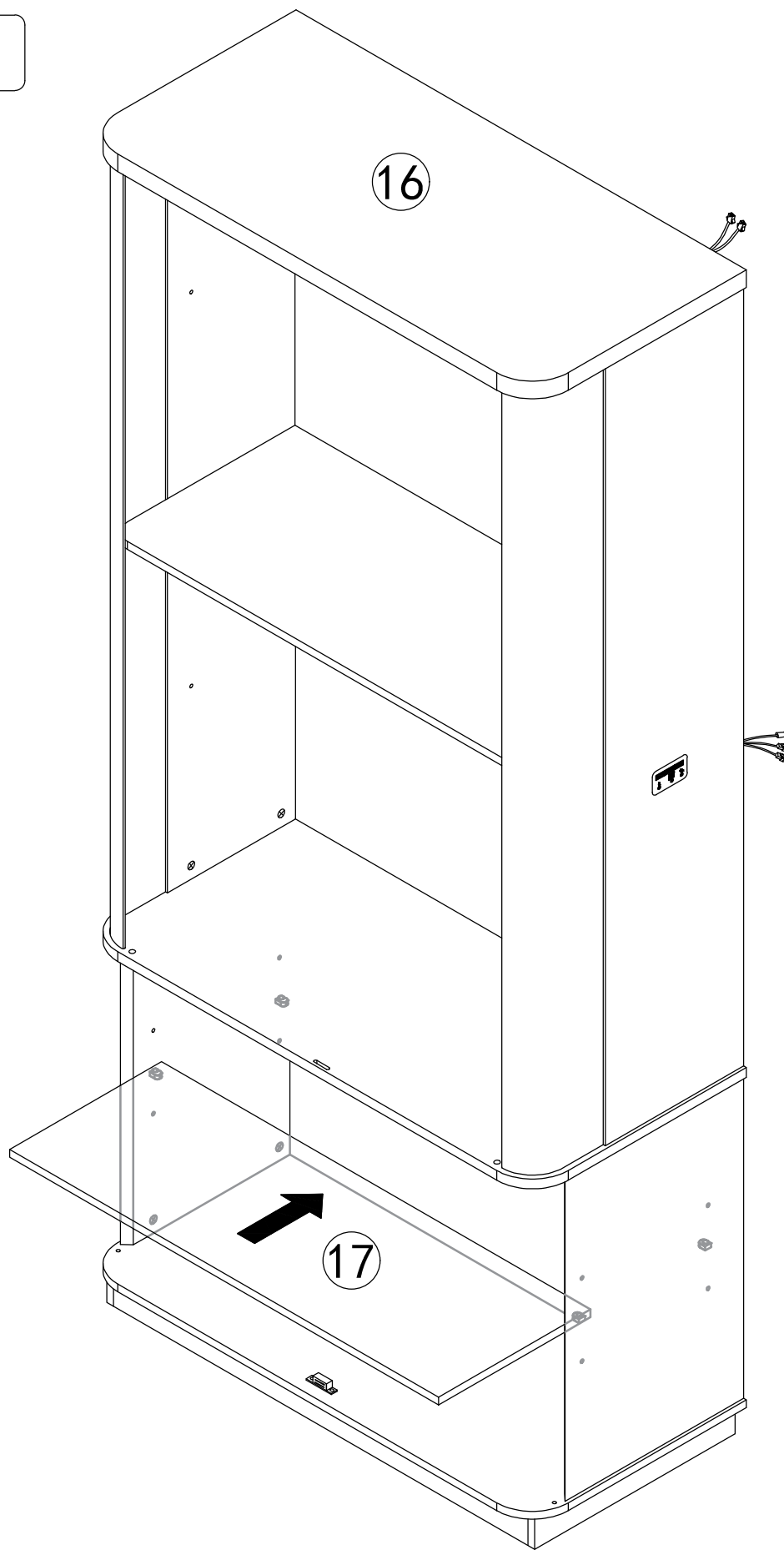


Step 26

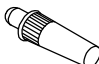
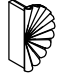



F  x4

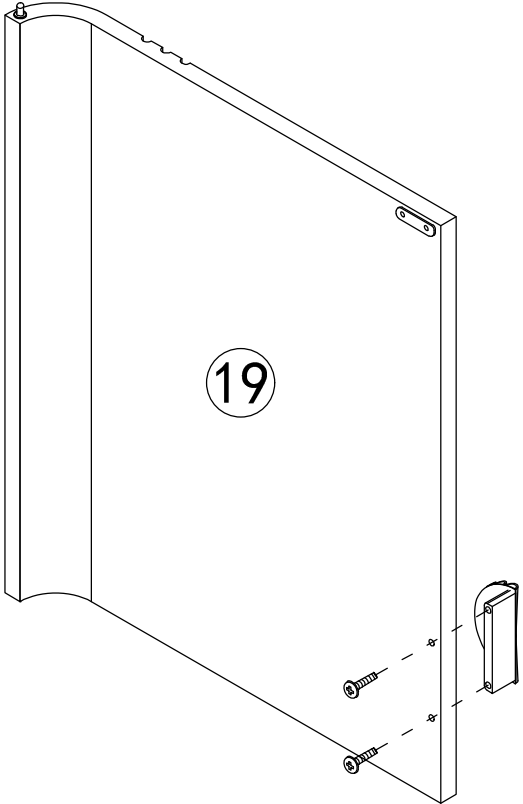
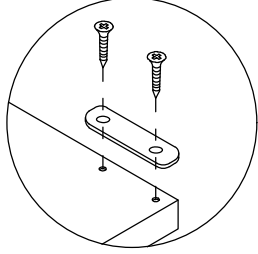
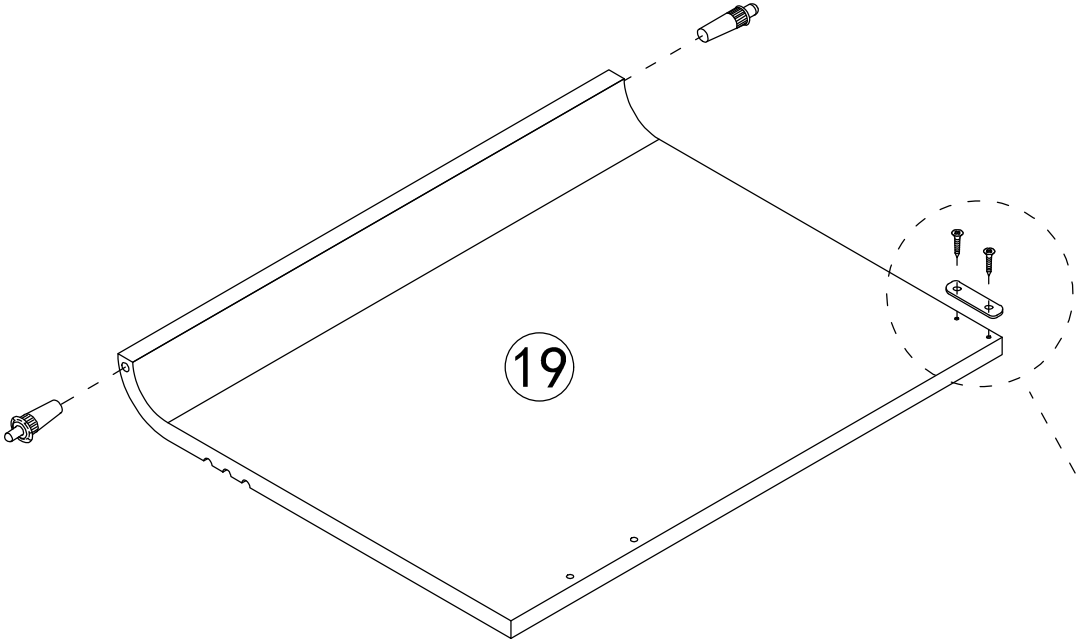


Step 27

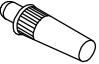
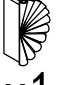





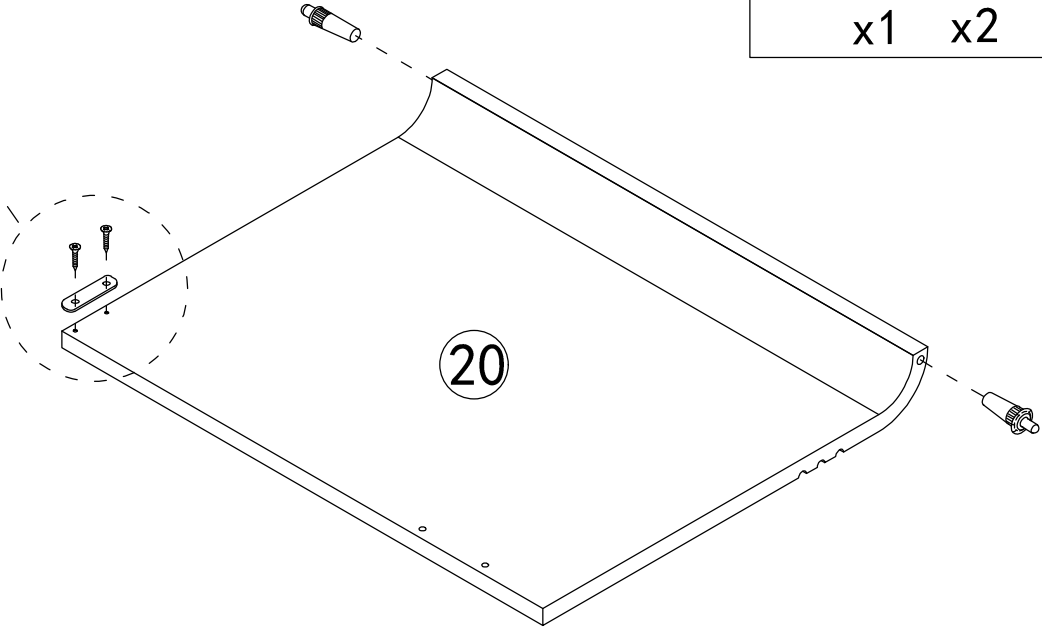
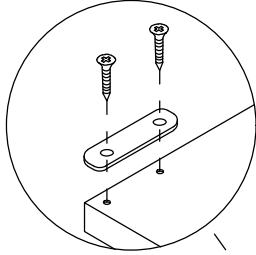
Step 28

- |   |   |    |
|---|---|----|
| L |   | x2 |
| M |  | x1 |
|   |  | x2 |
| O |  | x1 |
|   |  | x2 |

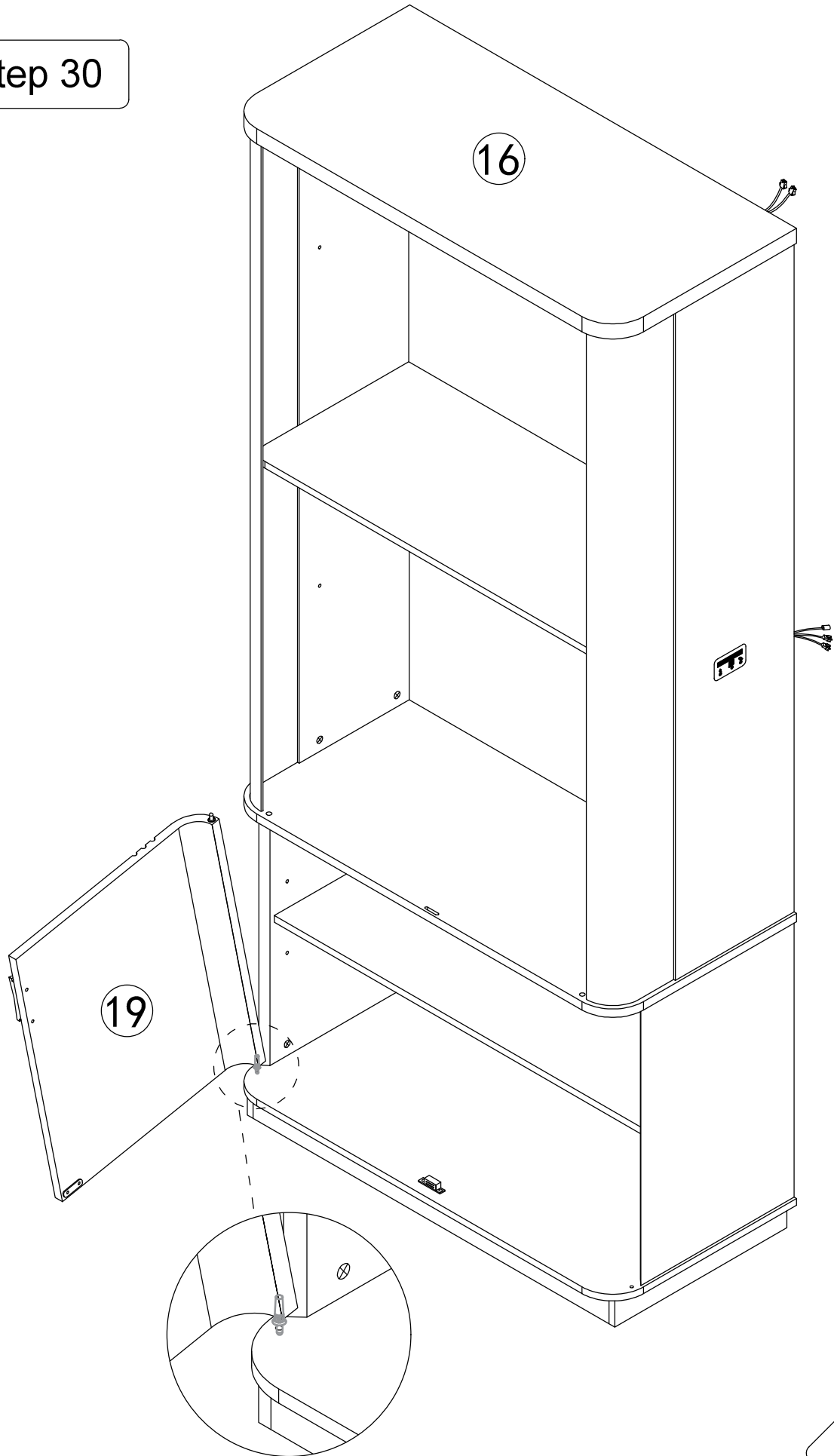


Step 29

- |   |   |    |
|---|---|----|
| L |  | x2 |
| M |  | x1 |
|   |  | x2 |
| O |  | x1 |
|   |  | x2 |

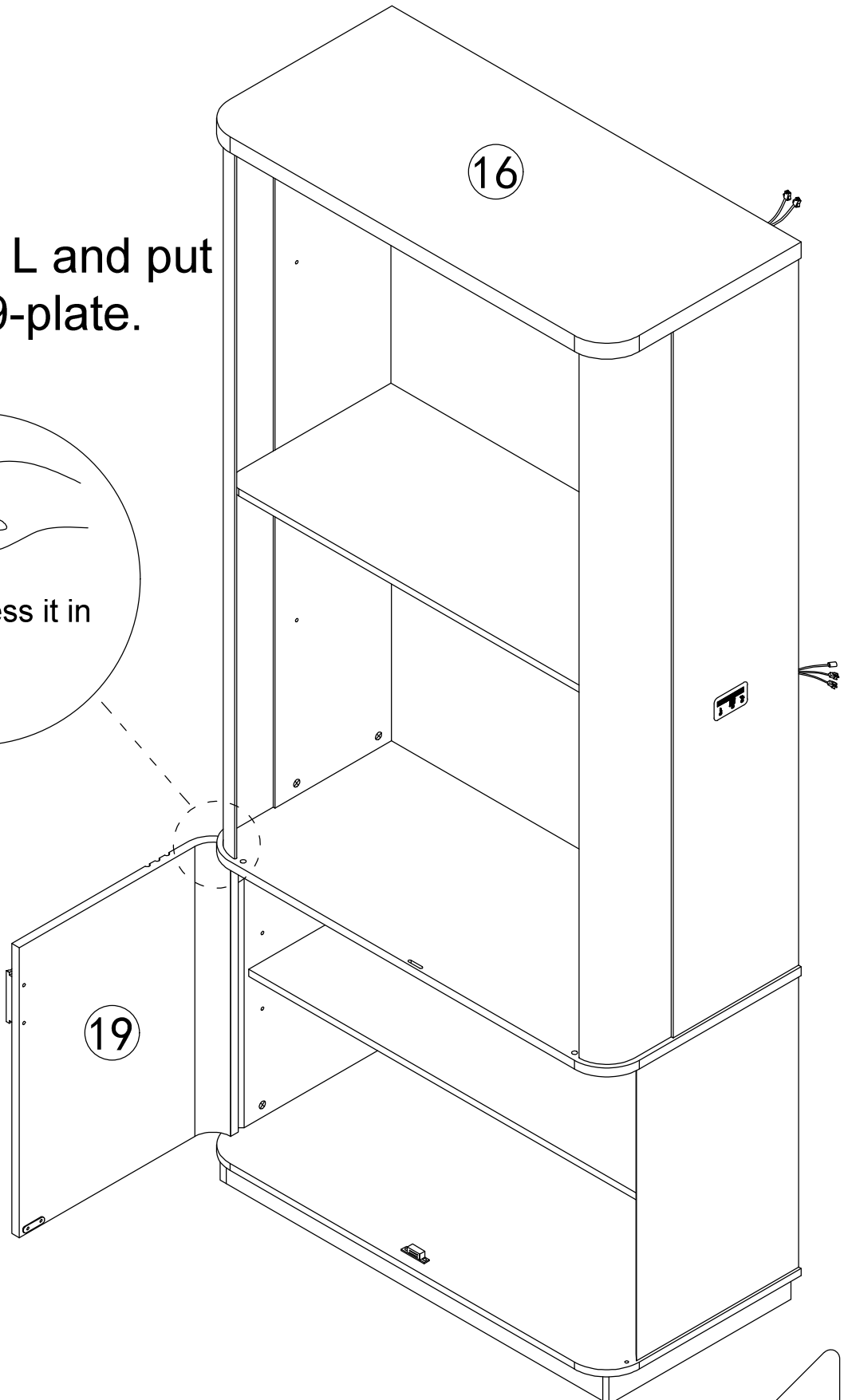
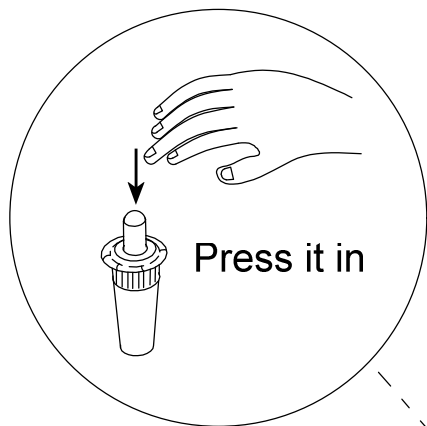


Step 30

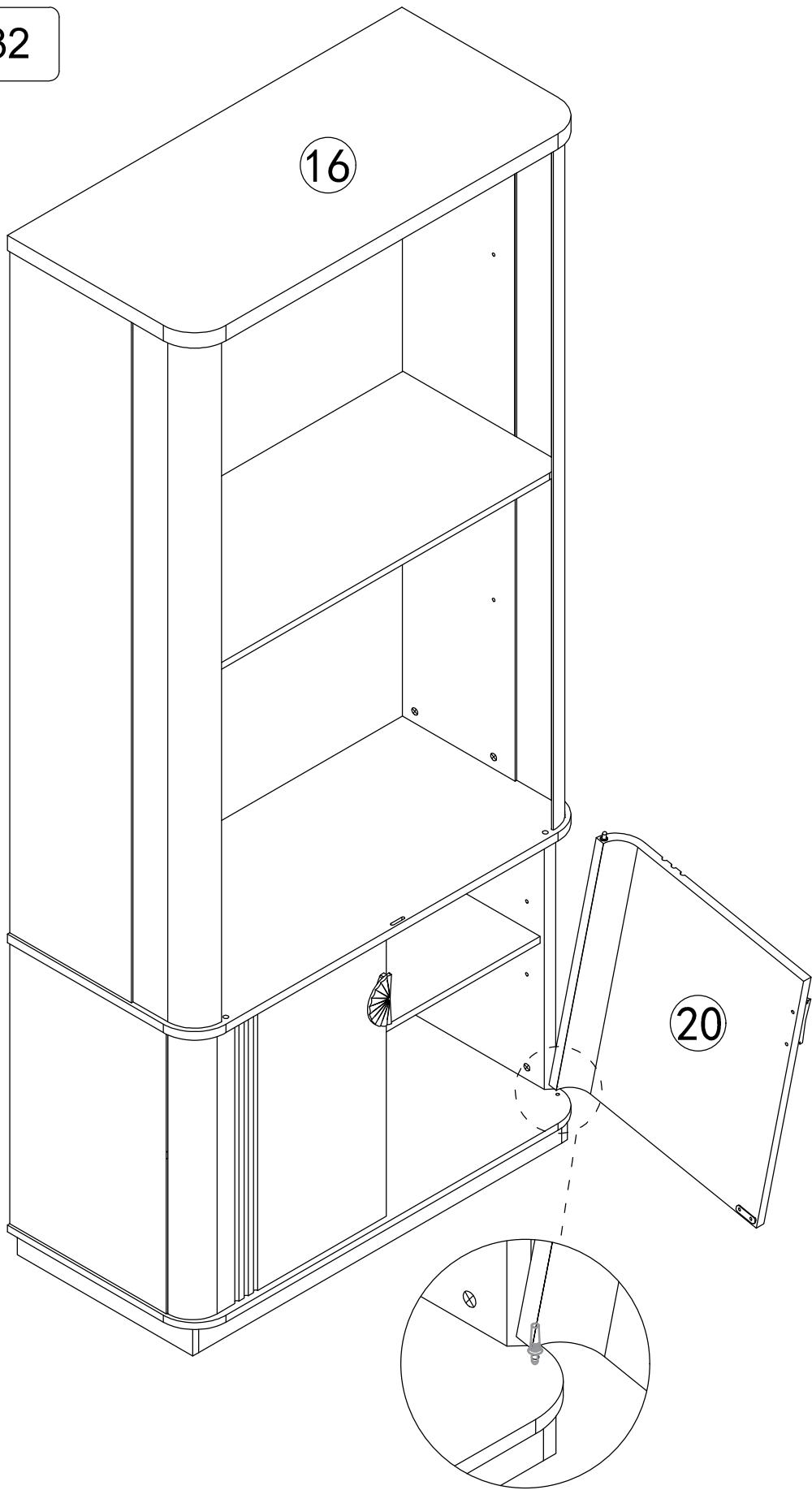


## Step 31

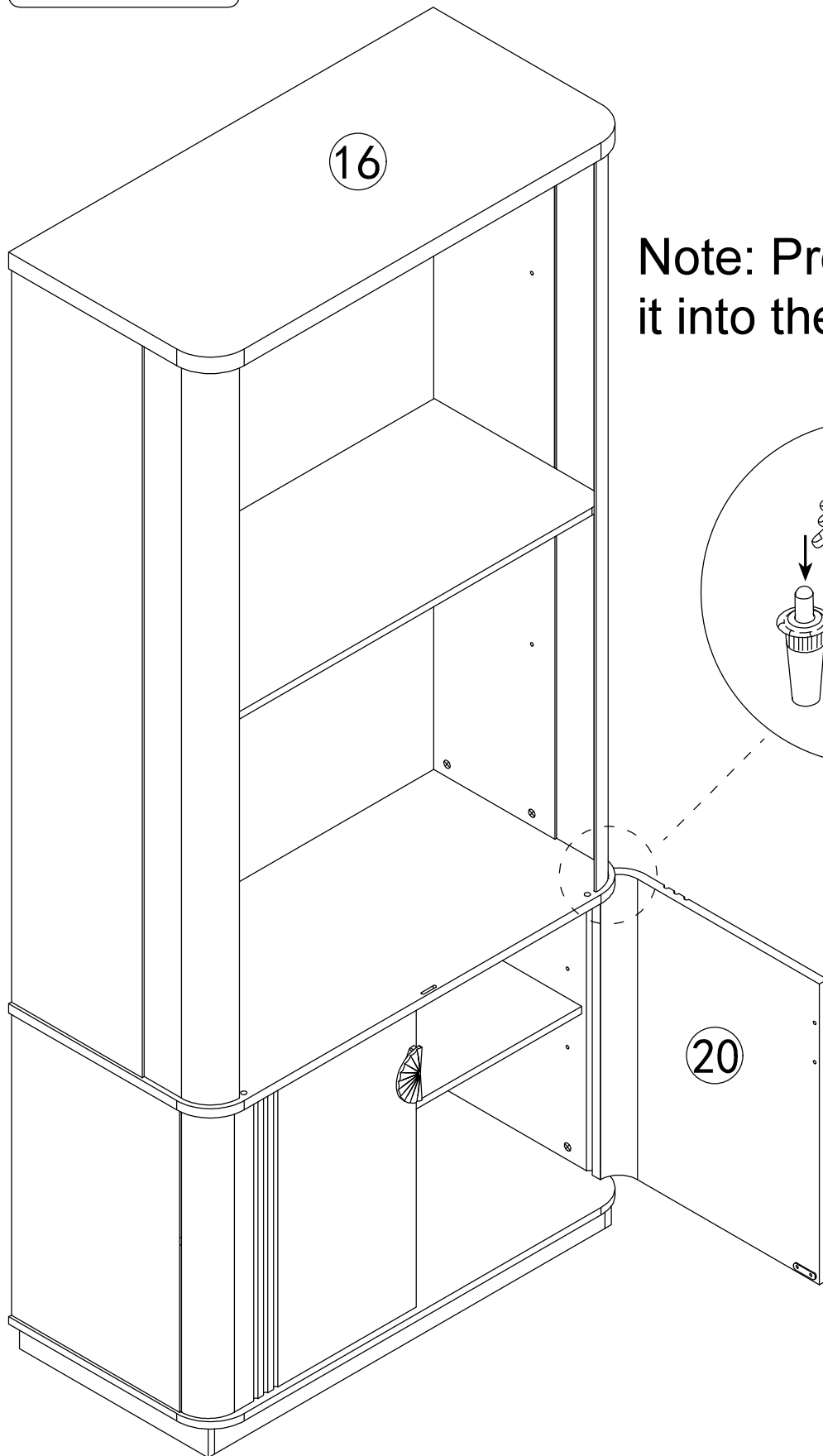
Note: Press L and put it into the 19-plate.



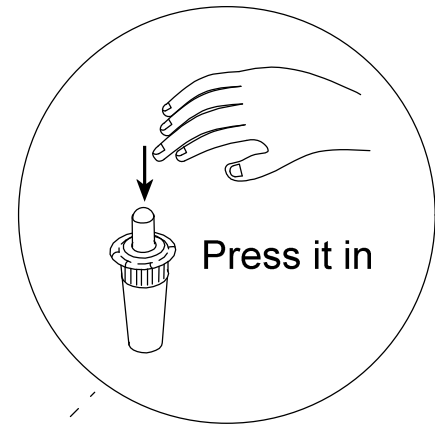
Step 32



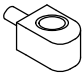

Step 33

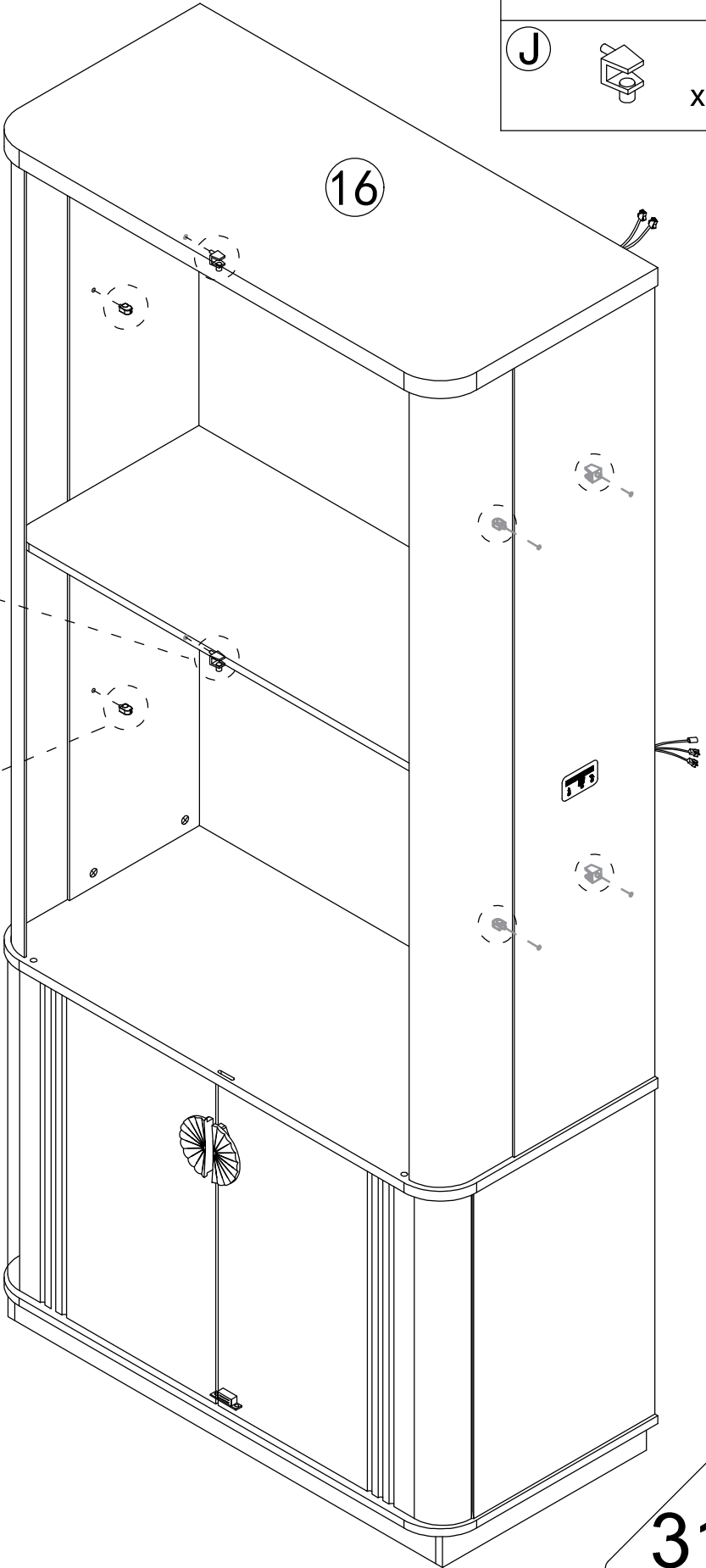
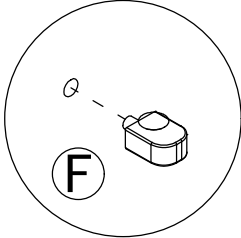
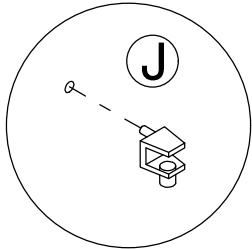


Note: Press L and put it into the 20-plate.

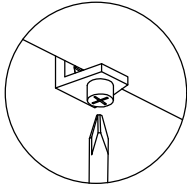


Step 34

- F**  x4
- J**  x4

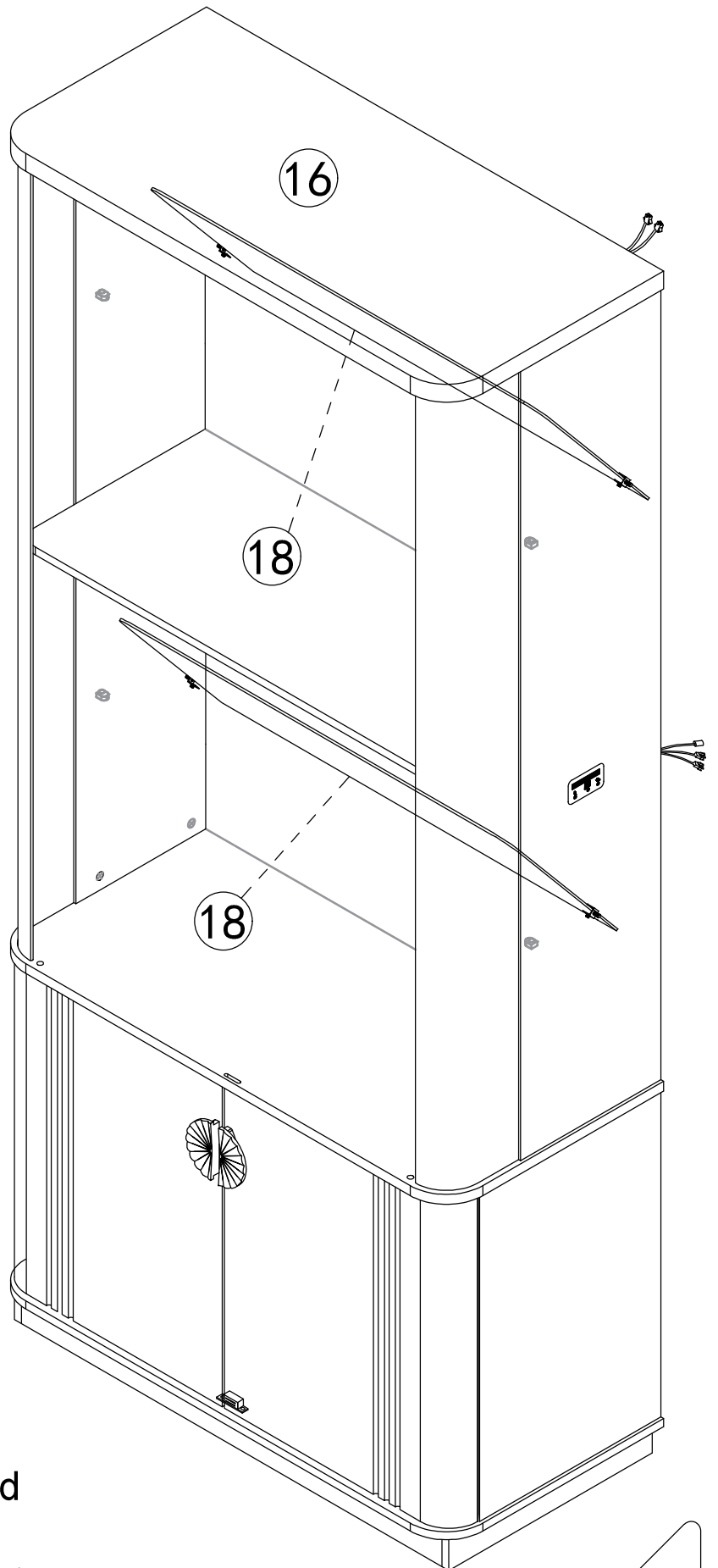


## Step 35



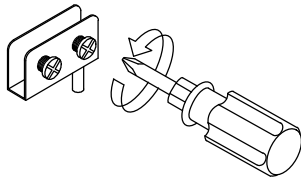
Note: after installing the 18 board, lock the pallet.

Insert into the cabinet by tilting it left and right first, then insert the shelf into the shelf clip at an upward angle of 45–90 degrees, and finally lay the shelf flat.

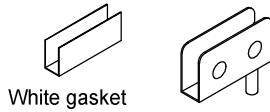


# Step 36

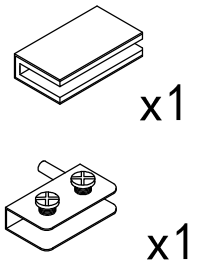
First, completely unscrew the screws on the parts



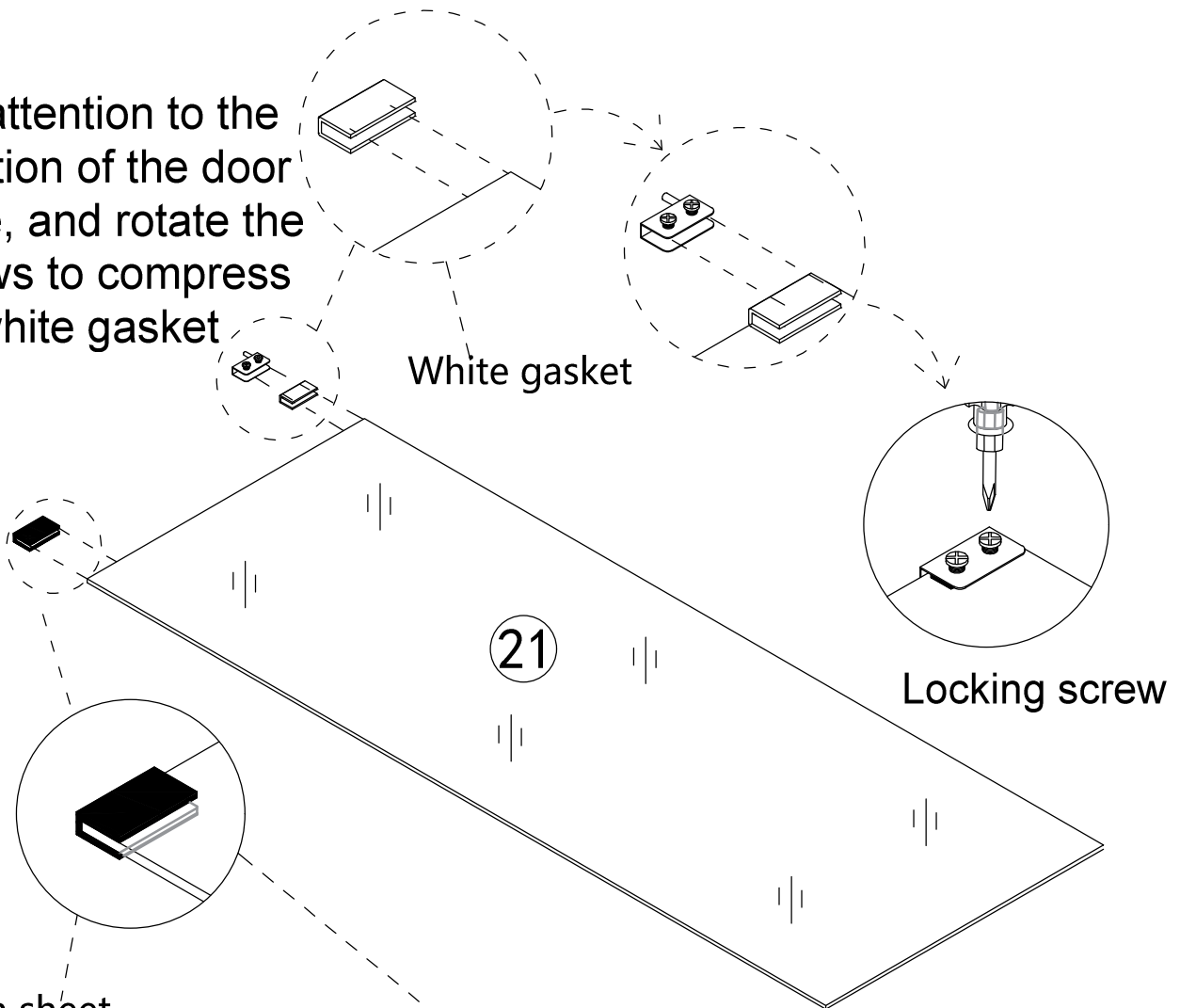
Place the white gasket first, then install the hinge, and finally tighten the screws.



E



Pay attention to the direction of the door hinge, and rotate the screws to compress the white gasket



White gasket

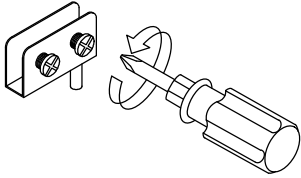
Locking screw

Iron sheet

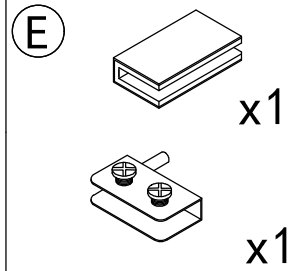
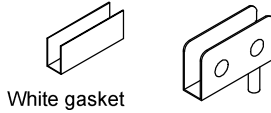
If you feel loose, please pinch the accessory before installation

# Step 37

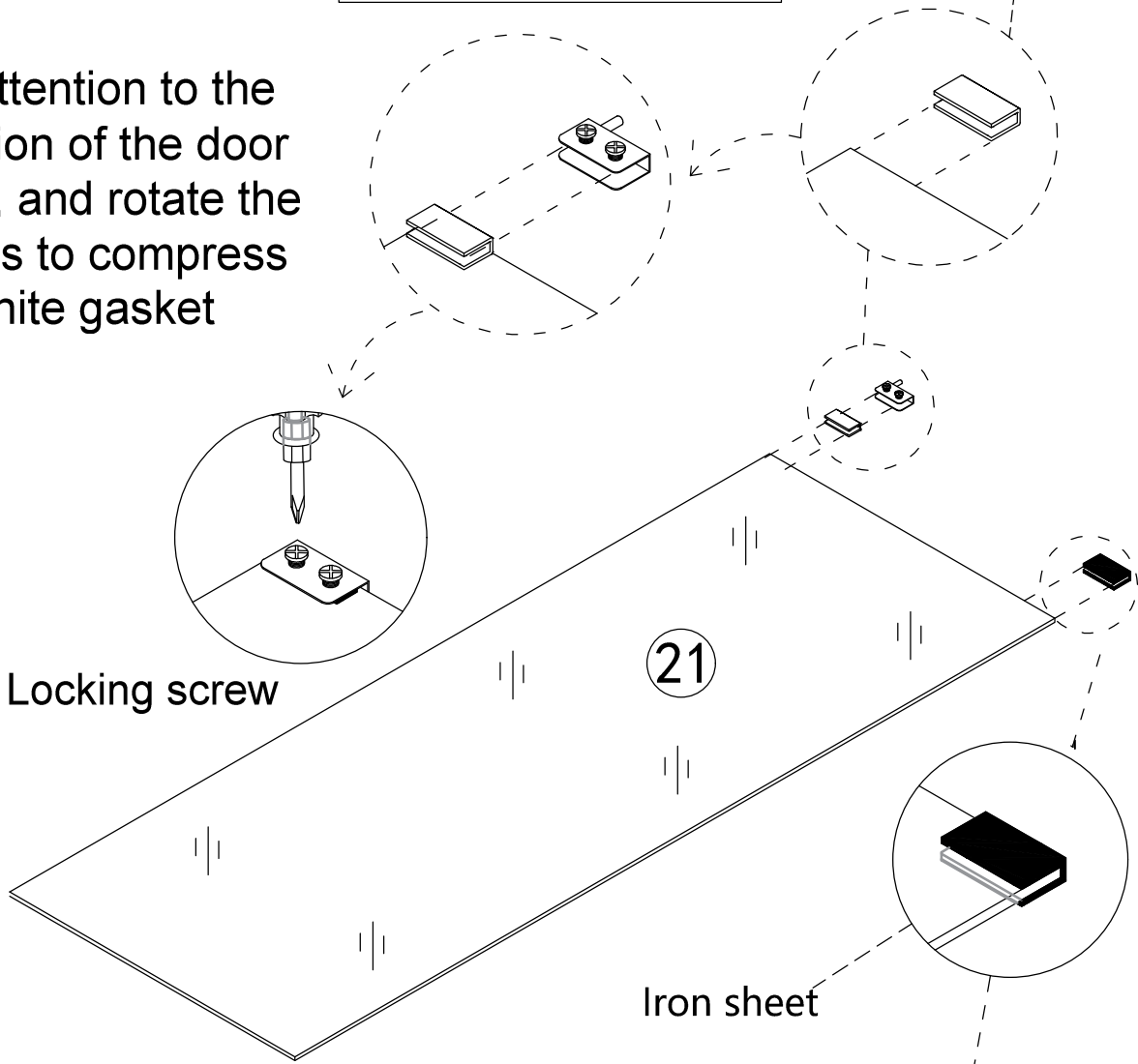
First, completely unscrew the screws on the parts



Place the white gasket first, then install the hinge, and finally tighten the screws.


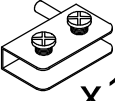

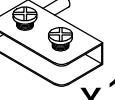


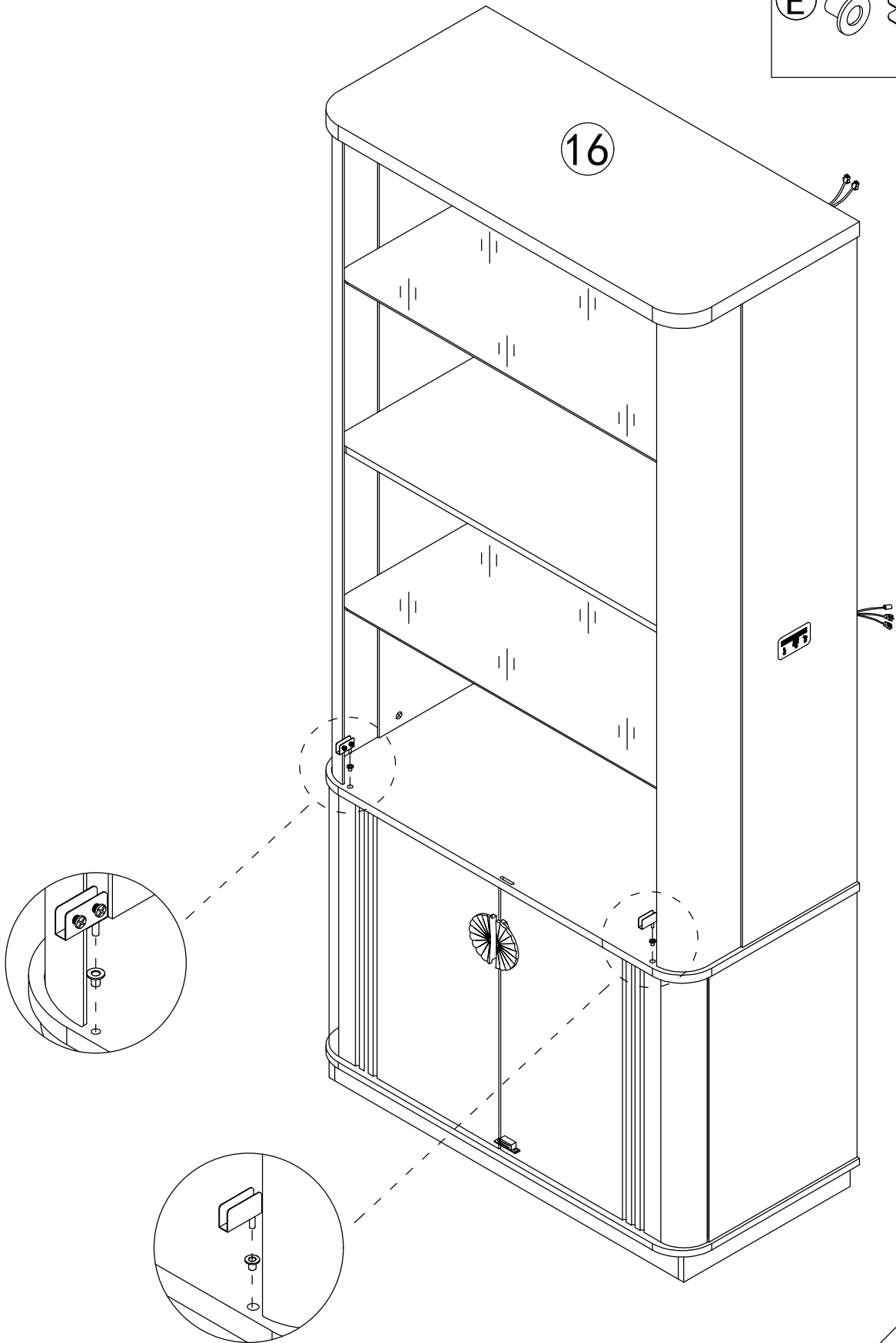
Pay attention to the direction of the door hinge, and rotate the screws to compress the white gasket



If you feel loose, please pinch the accessory before installation

Step 38

- (E)   x1
- (E)   x1



## Step 39

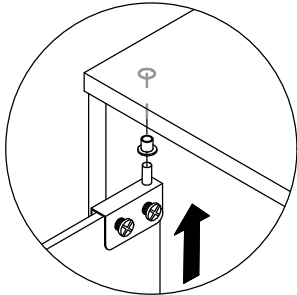
Pay attention to the direction of the door hinge during installation

E

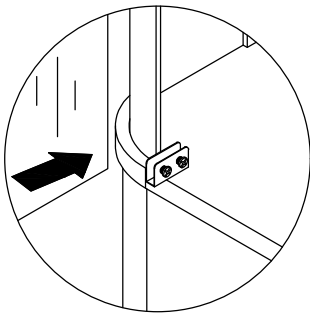


x2

When installing a glass door, it is recommended to have two people install it to avoid the glass door colliding or hitting oneself.

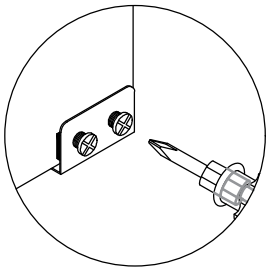


Step 1



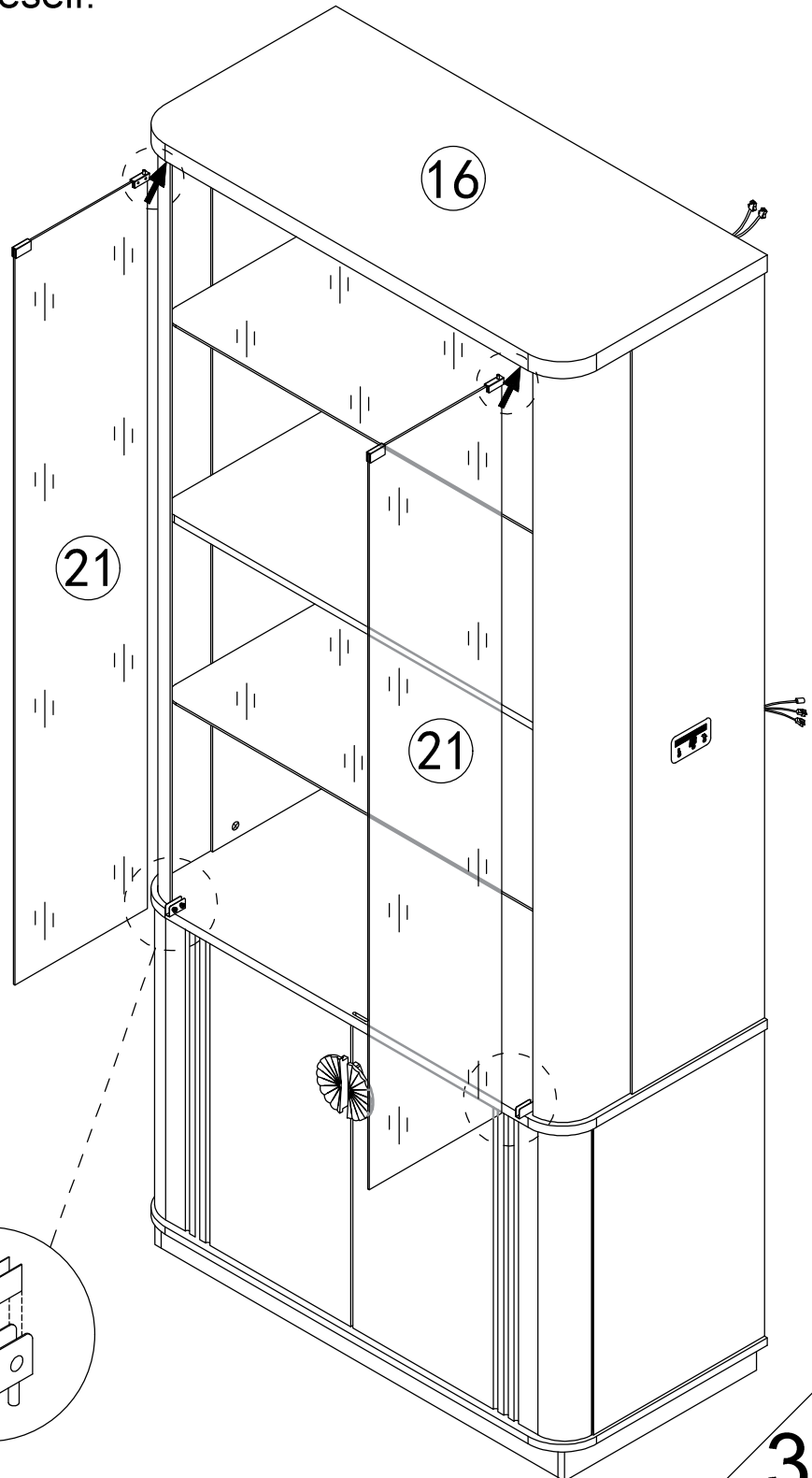
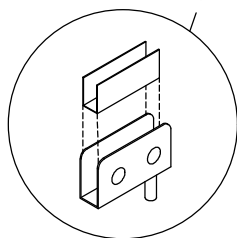
Step 2

Clip the glass door into the white gasket



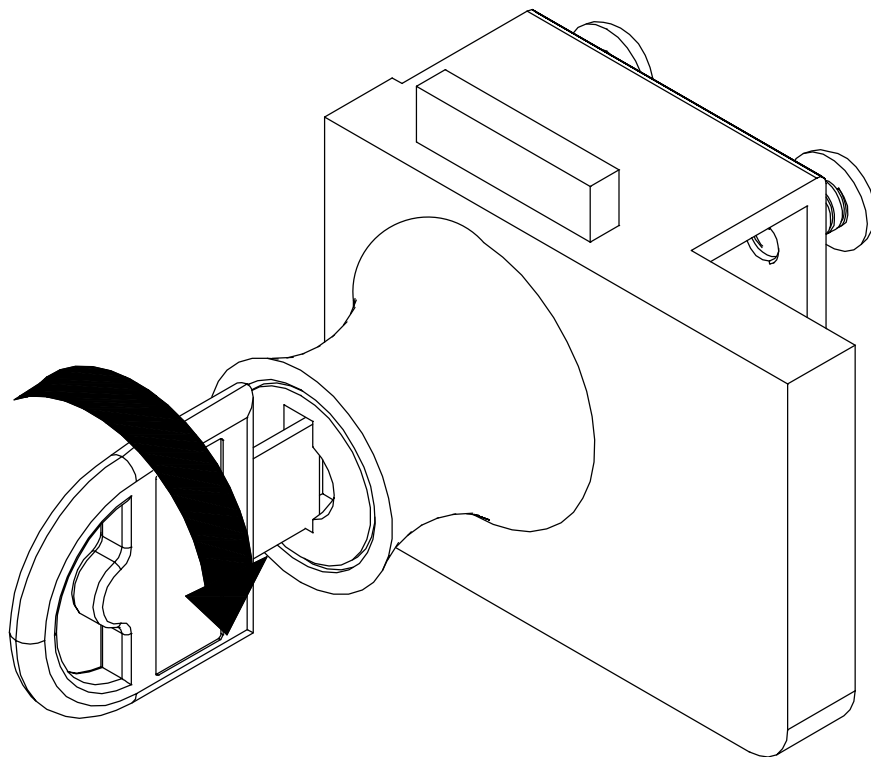
Step 3

Locking screw

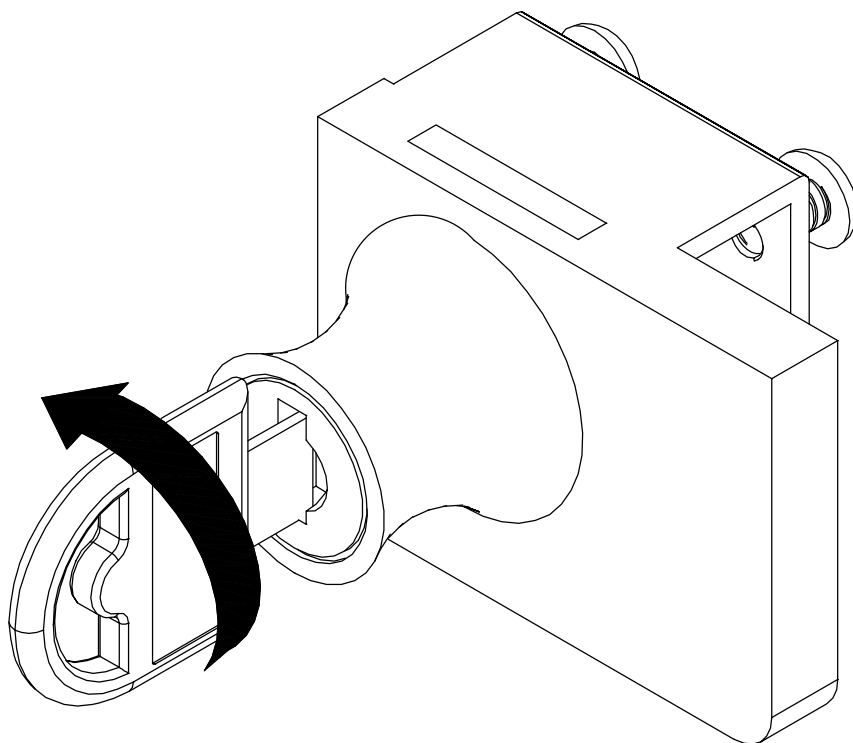


36

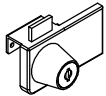
Turn clockwise to lock the door.

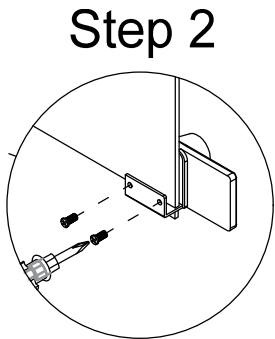
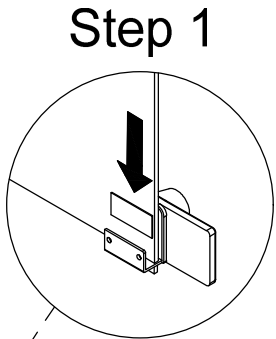
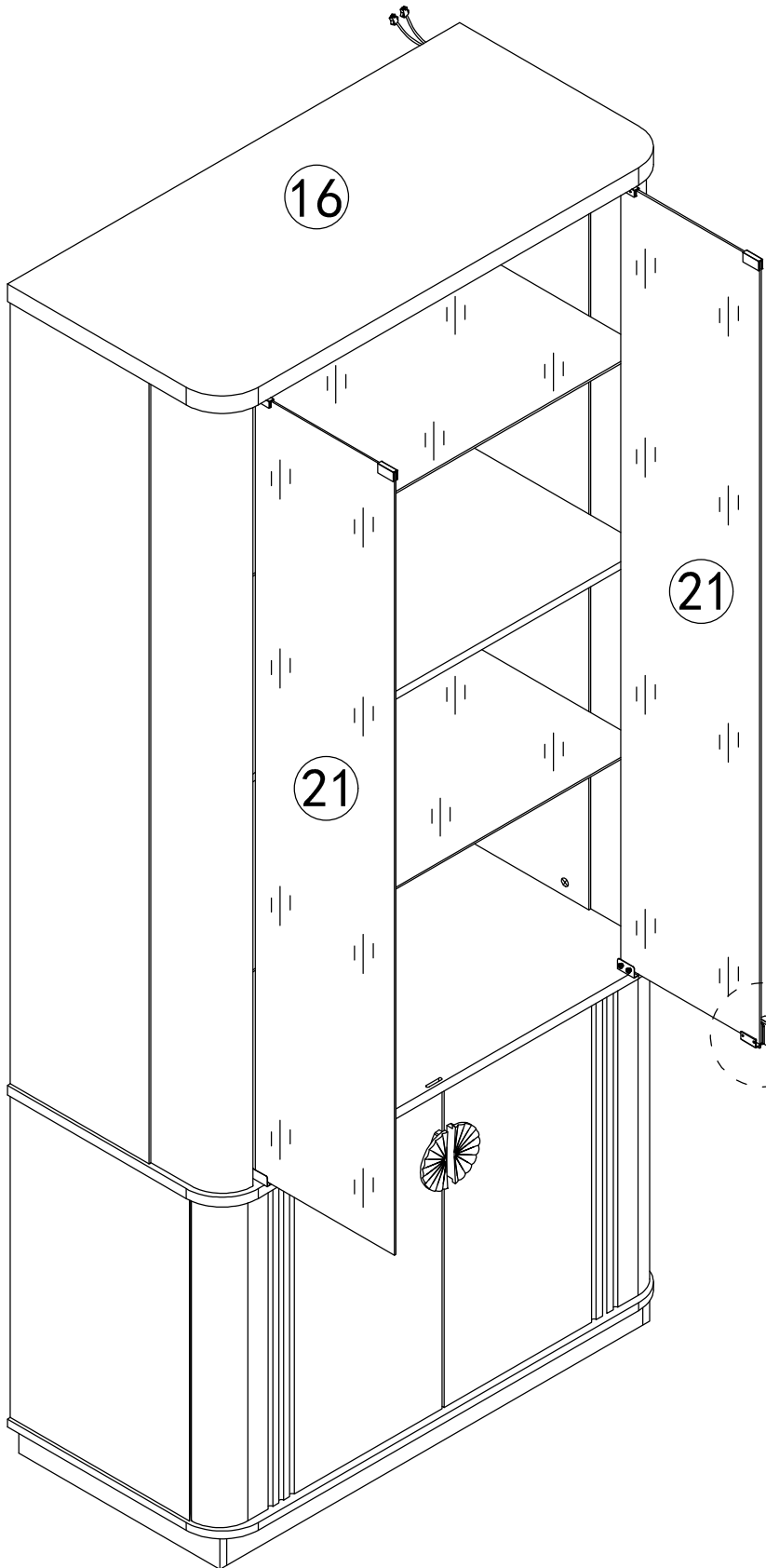


Turn counterclockwise to unlock the door.



Step 40

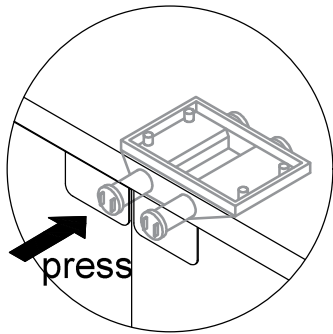
G  x1



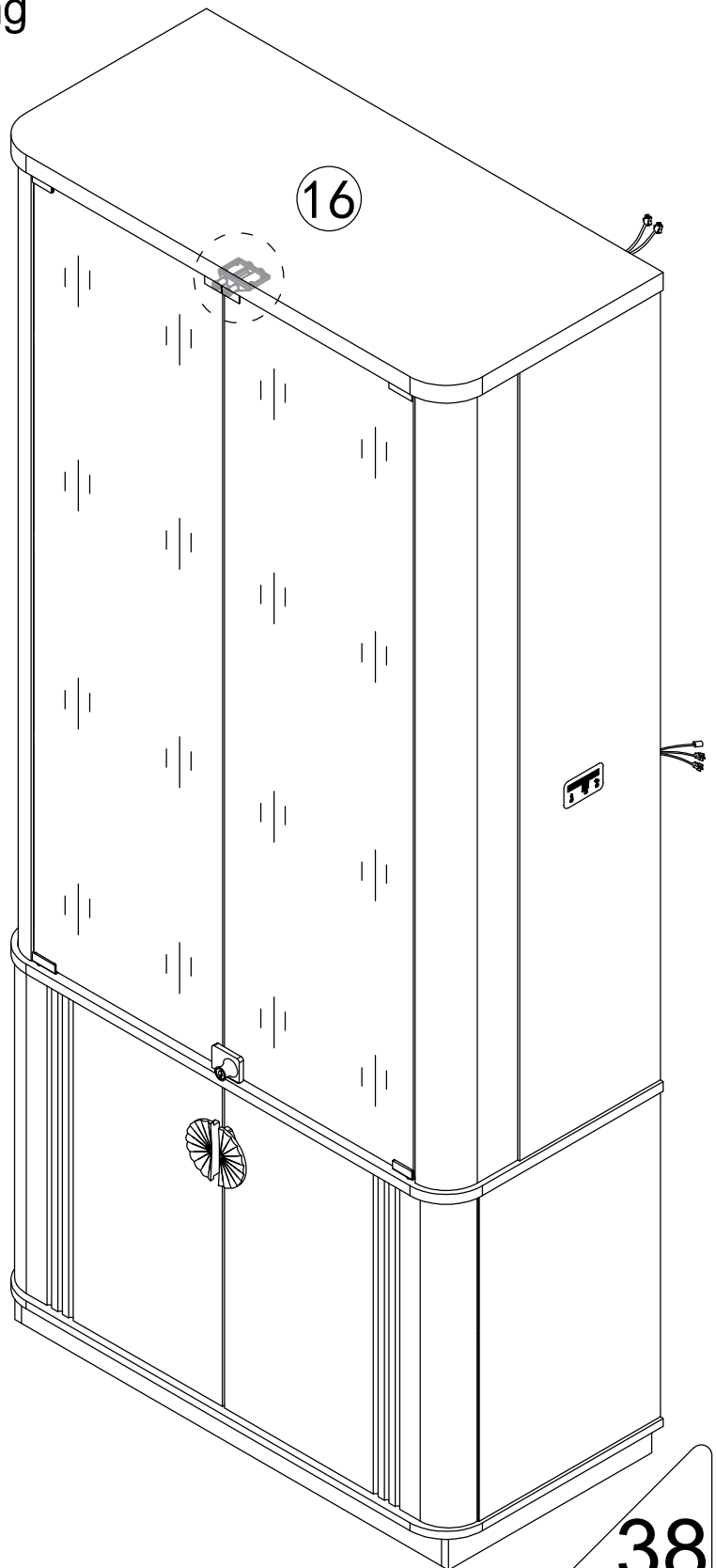
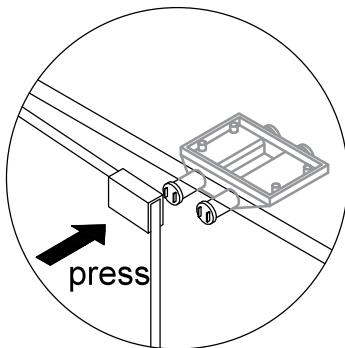
## Step 41

The rebound device automatically opens and closes by pressing

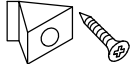
Open the glass door

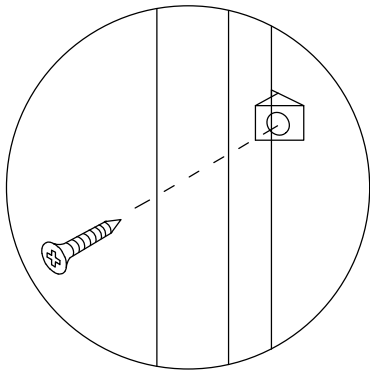
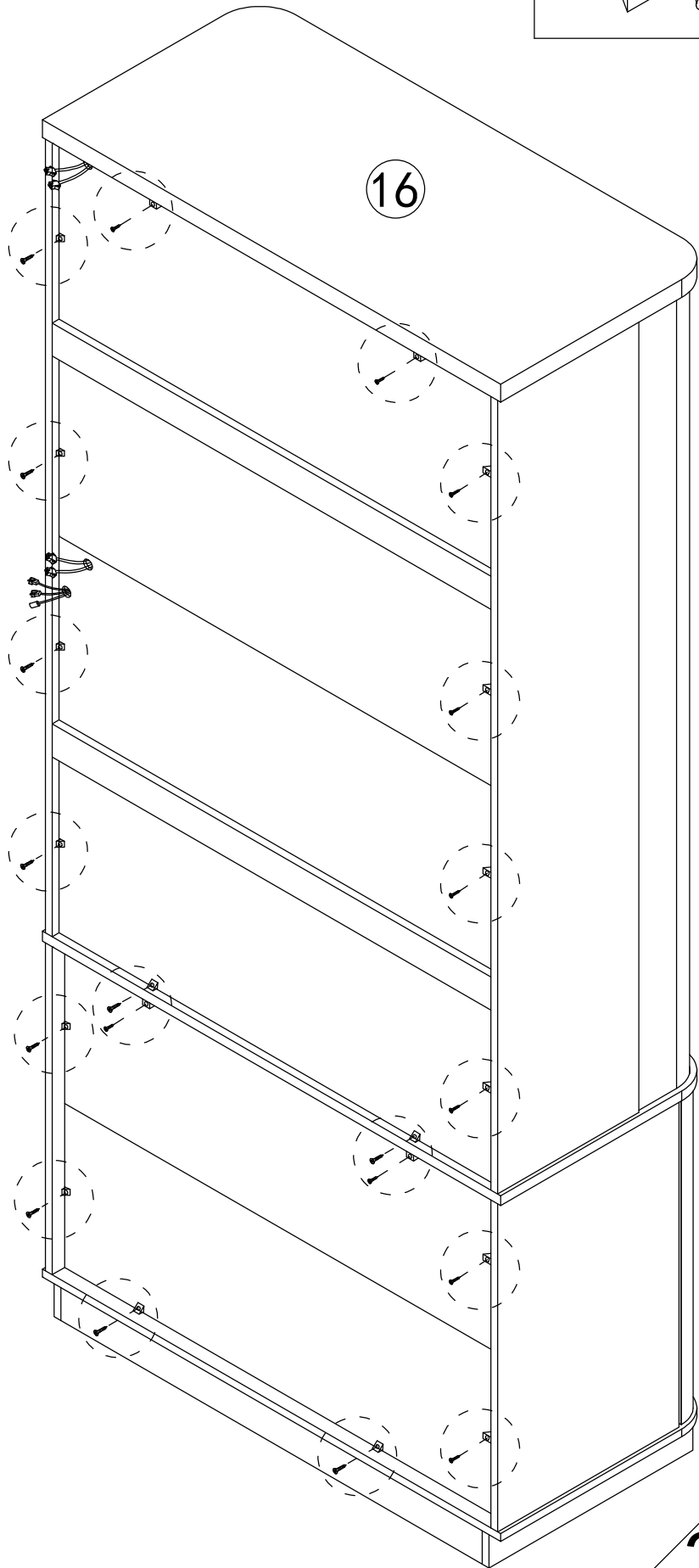


Close the glass door

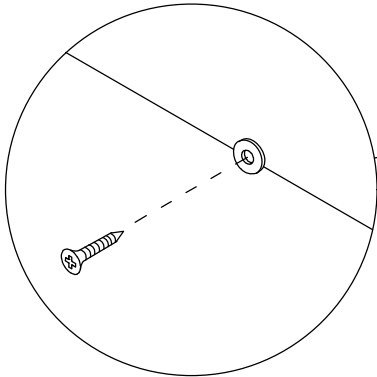
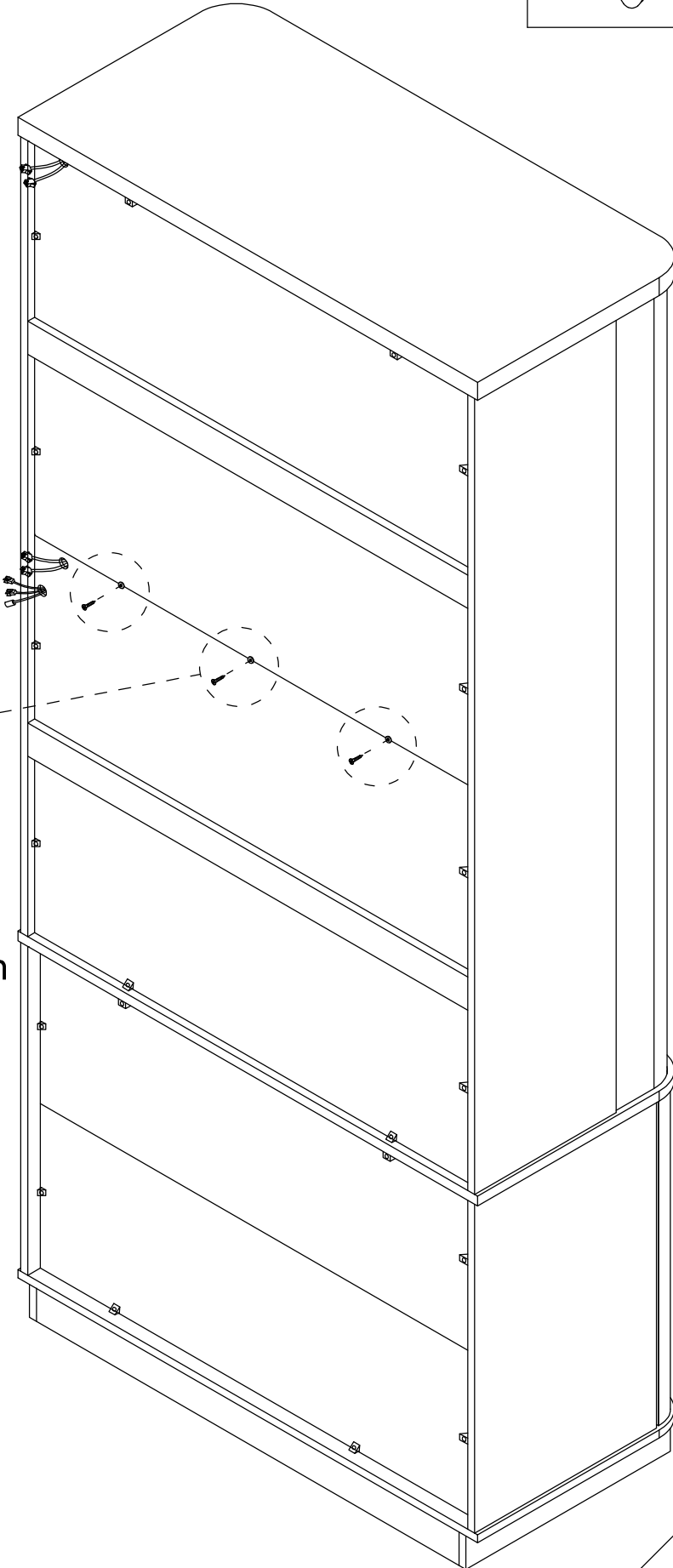
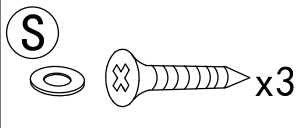


Step 42

H  x20

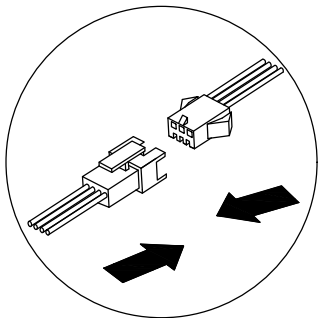
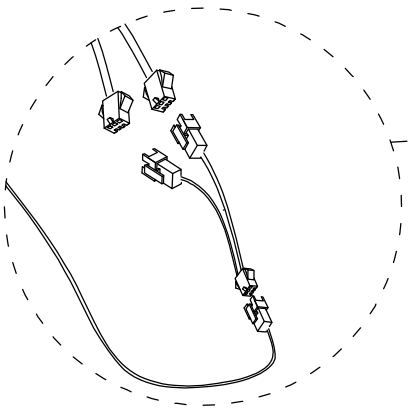
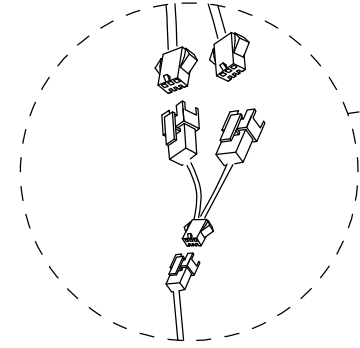
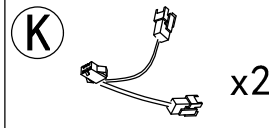


Step 43

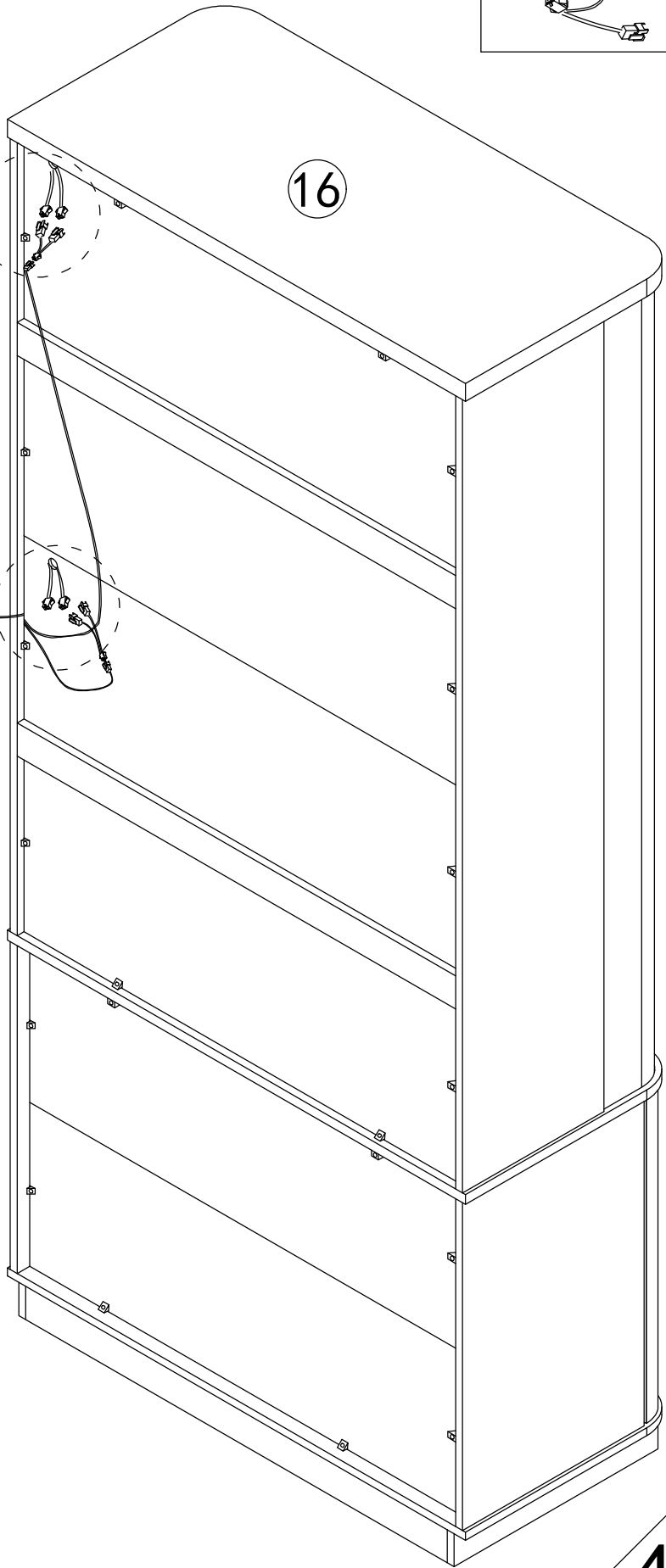


Fit into the gap between back panels.

# Step 44

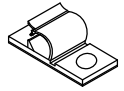


Wiring Terminal Diagram

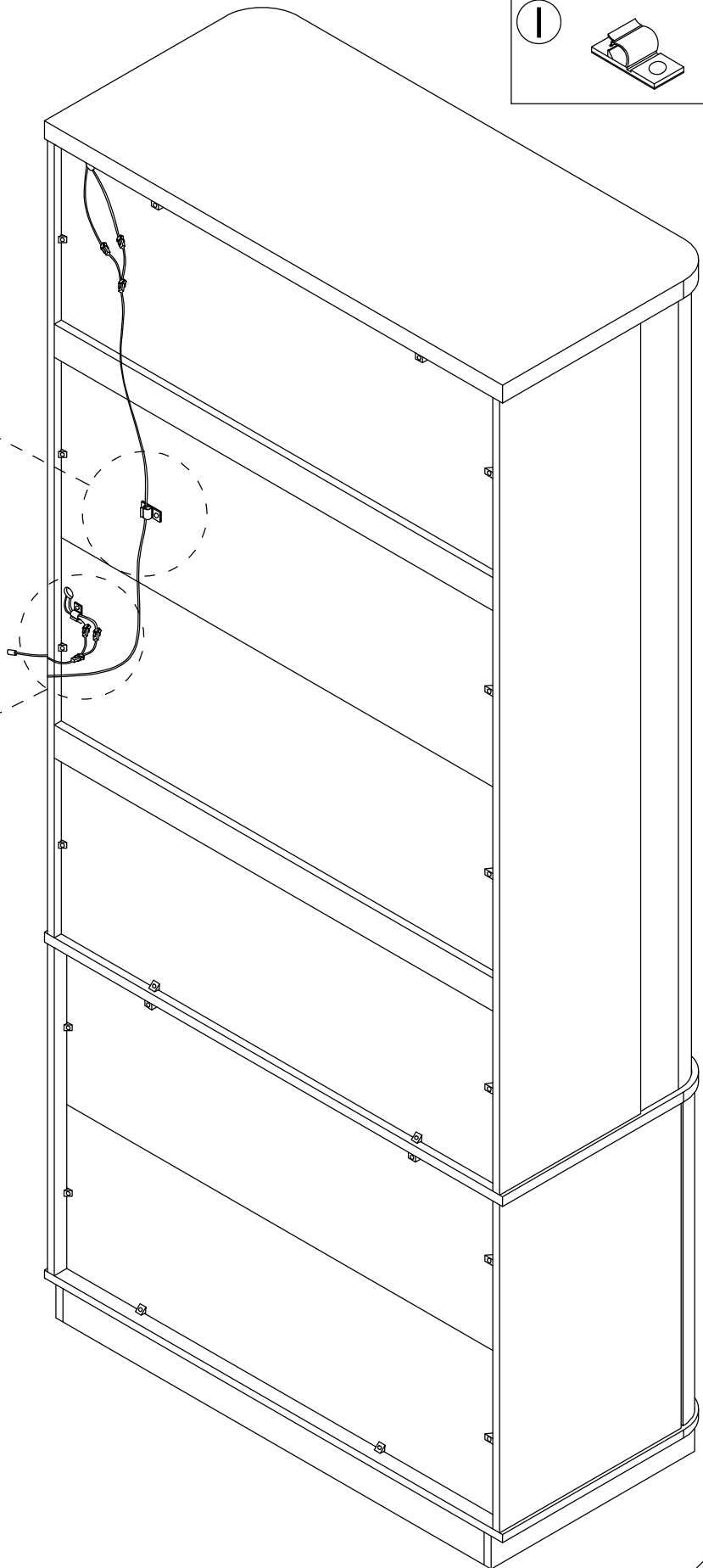
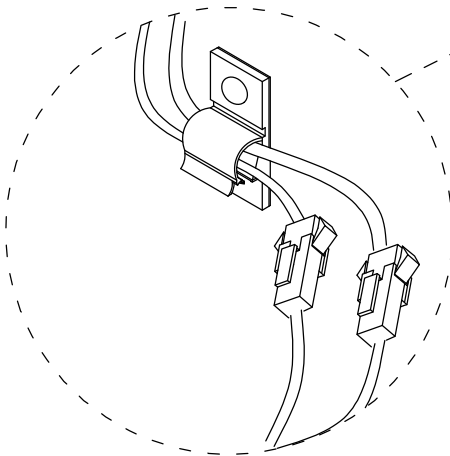
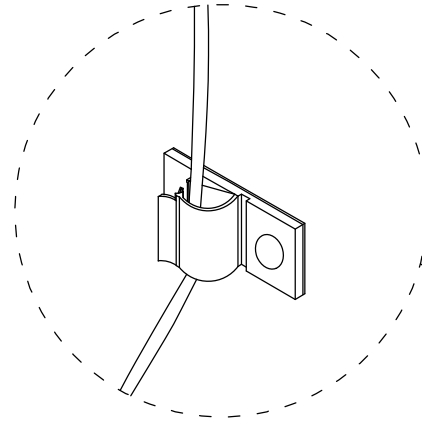


Step 45

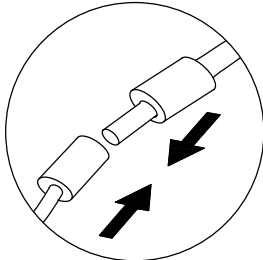
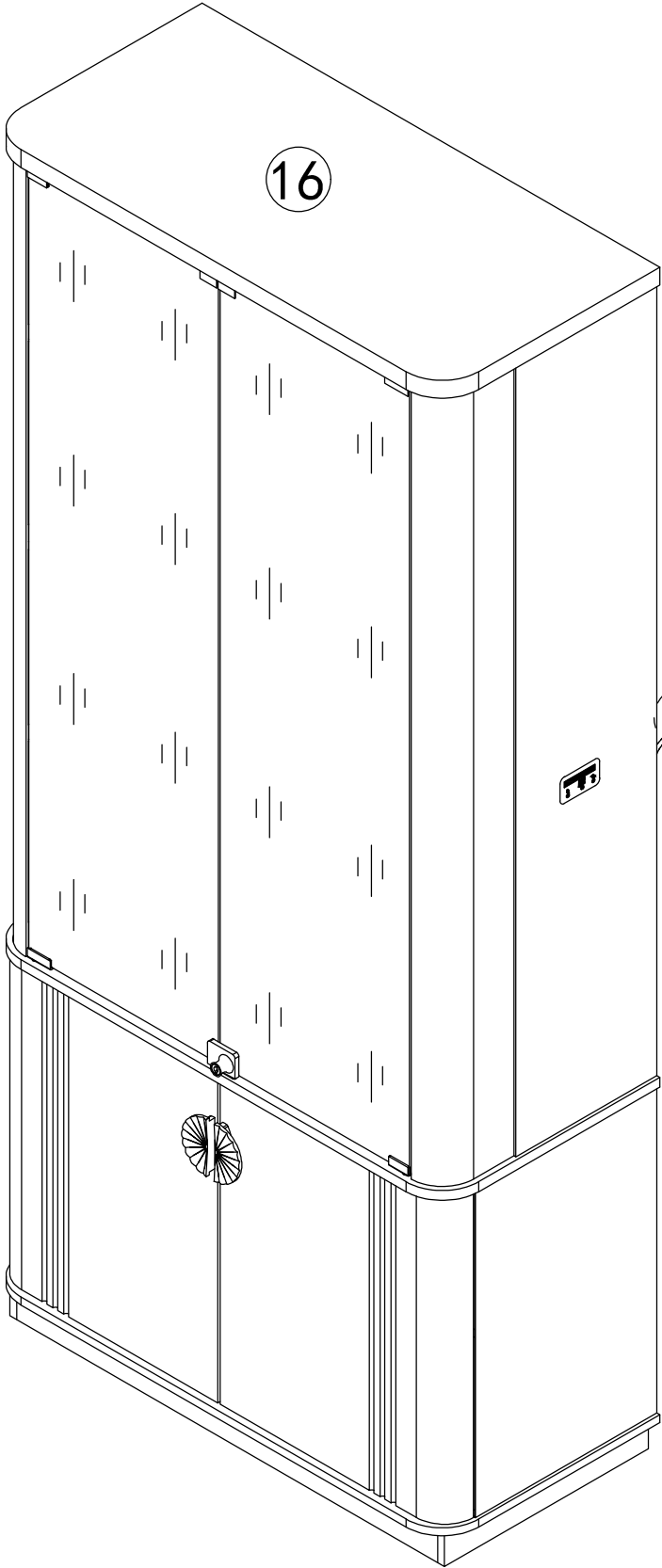
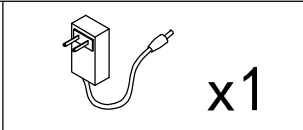
1



x2



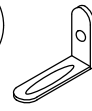
Step 46



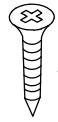
Step 47

Install as required

P



x2

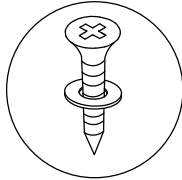


x2

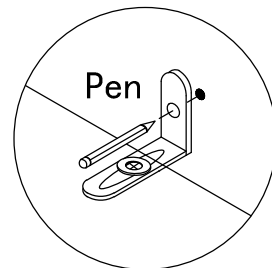
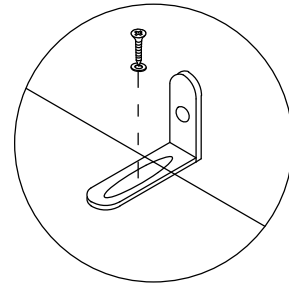
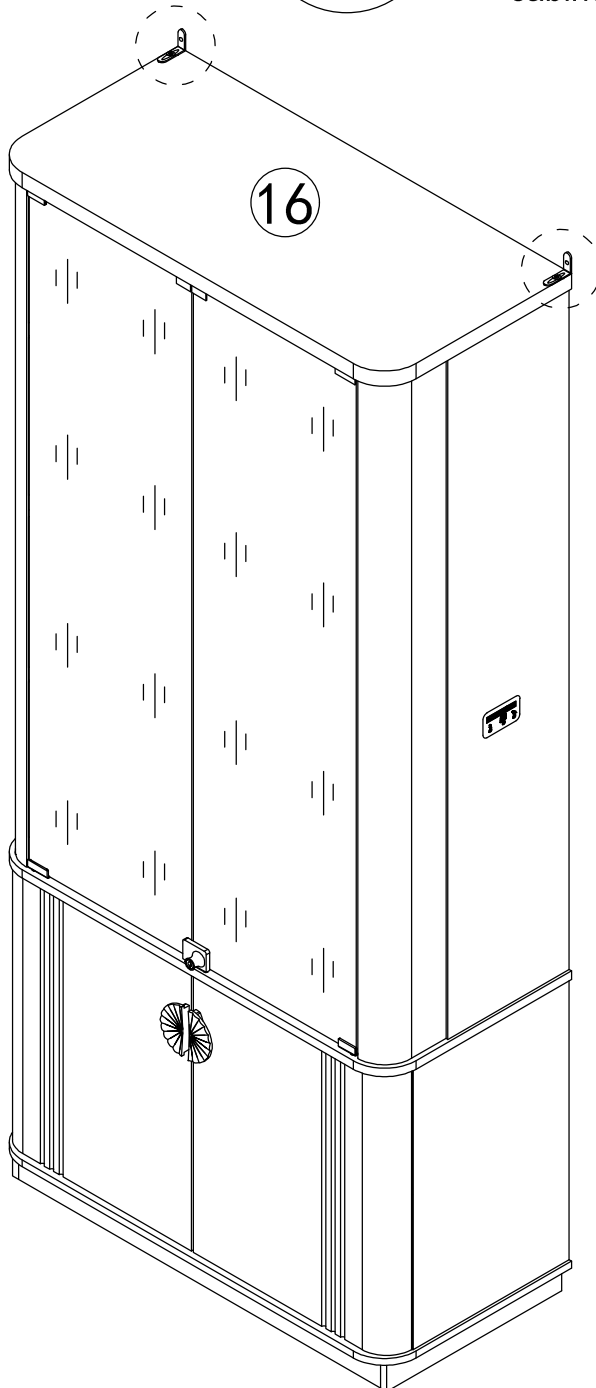


x2

3.5x14mm



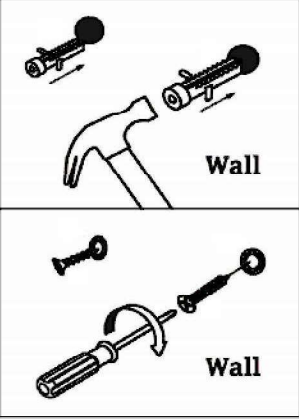
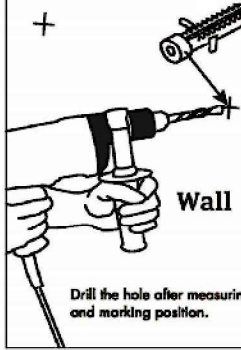
Install the anti fall hardware on the cabinet as shown in the picture first



Then mark the wall with a pen through the holes in the anti-fall hardware

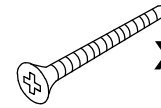
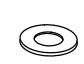
# Step 48

## Wall Mount

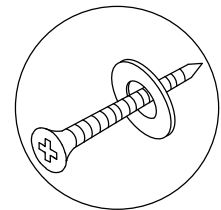
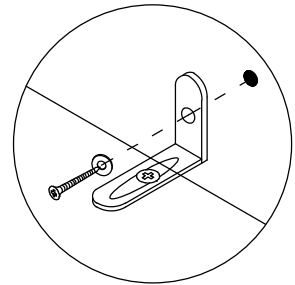
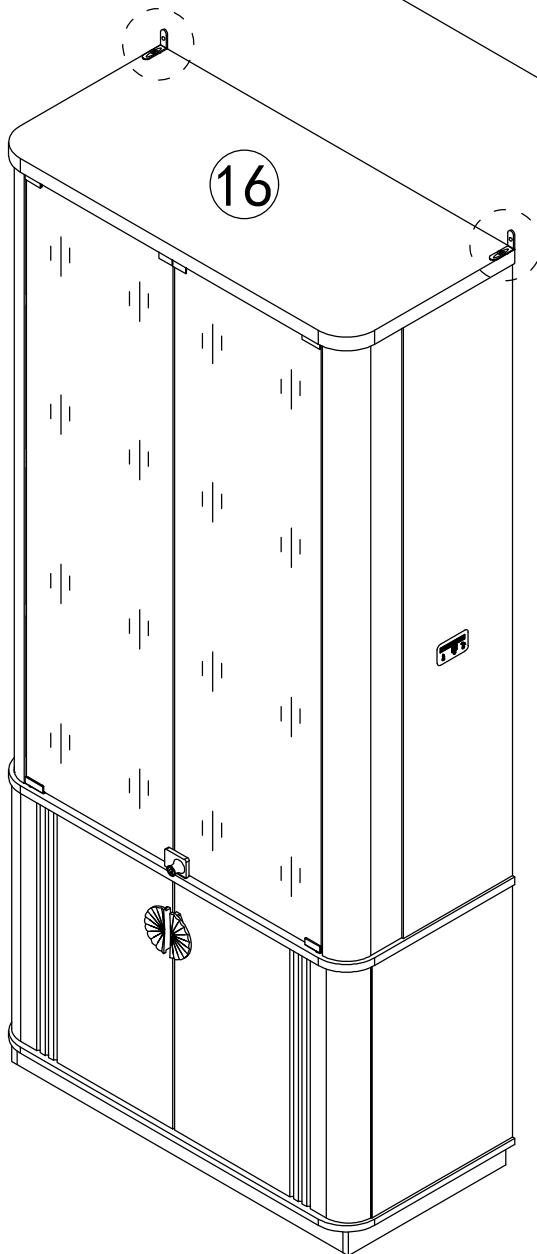


P

 x2

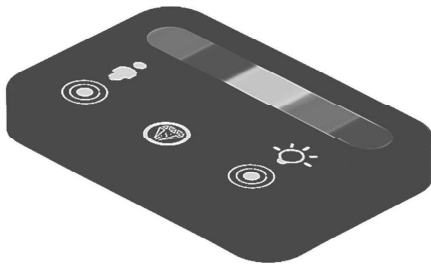
 x2  x2

Drill the hole with an electric drill and punch in the colloidal particles



4x45mm

Fix the dressing table to the wall



## User's Guide

Thank you for purchasing this product.

To use this product, please plug it into a 12V DC power supply.

Please use if the product works normally after connecting to power.

## Introduction

The box is an intelligent controller. With 4 touch buttons, it can turn ON/OFF the light and turn ON/OFF the induction function, change light colors, and adjust the light luminance.

The lights can be controlled through both the touch buttons and a dedicated app.

## Operation

This touch button is used to turn the light on/off, adjust brightness, and switch the color of the lights.



- i. Single Click: Turn the light on/off.
- ii. Quick Double-Click: Switch between 7 static RGB colors.
- iii. Long Press (2+ seconds): Adjust the light luminance.

This touch button is used to turn on/off the induction function.



A. touch this button once to turn on the induction function (indicator light on).

After the person leaves or remains stationary for more than 30 seconds, the light strip goes out; people and objects within a range of 1 meters move will light up the light strip.

B. Long press this button for 0.5 seconds to turn off the human body induction function (the indicator light goes out).

At this point, Keep the light strip as it was before turning off and no longer be affected by human and object activities. By default, induction function is enabled when powered on.



This touch button is the Dynamic Phantom Color Mode, which includes 5 magical lighting effects.

Simply tap to cycle through the options. (Attention: This mode cannot adjust the brightness)



This area controls the color switching function.

You can tap or slide to any color bar position to change the color.

Color Palette



Induction Button

Master Switch Button

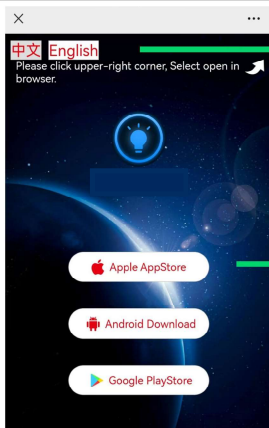
Phantom Color Mode Button



## ATTENTION PLEASE

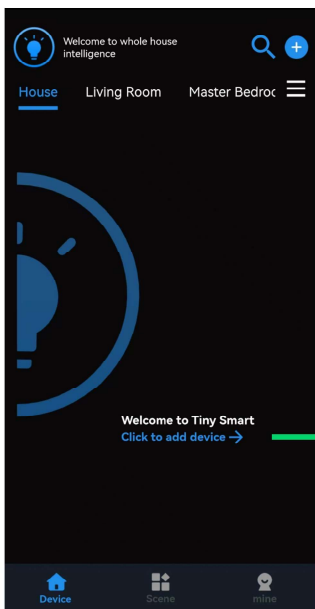
1. If there is no touch response suddenly, Re-plug the power to reset the touch static electricity.
2. If bubbles appear on the panel, remove the protective film.
3. If you have any questions when installing, please feel free to contact us. Thank you.

# Smart Box Plug Power Off

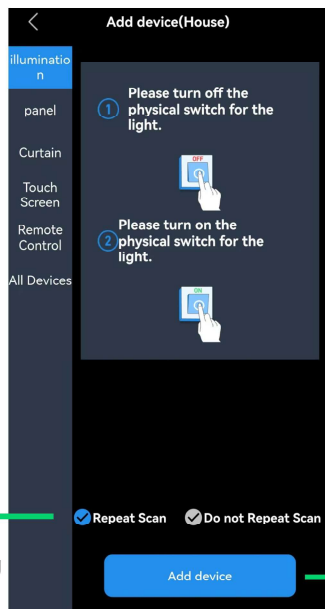


Select English Language

Select the corresponding device to download.  
Note: If the download fails, please turn off the "Enhanced Protection" in the Pure Mode settings of the device.



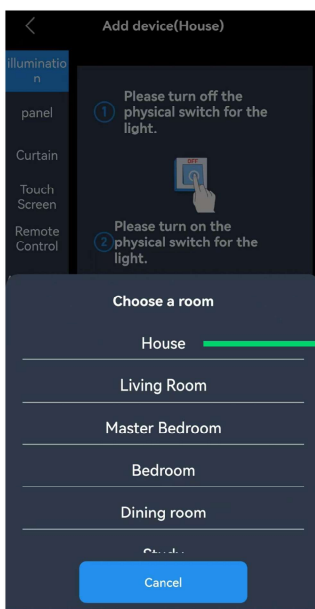
1



2

It turns blue after clicking

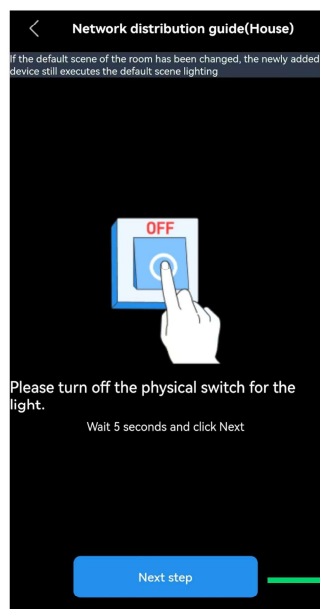
3



4



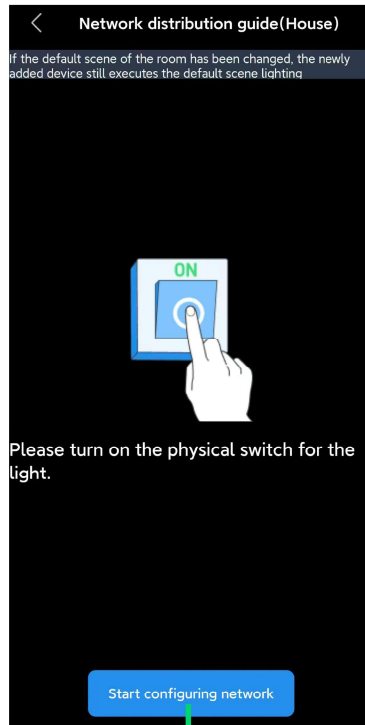
5 Unplug the smart box



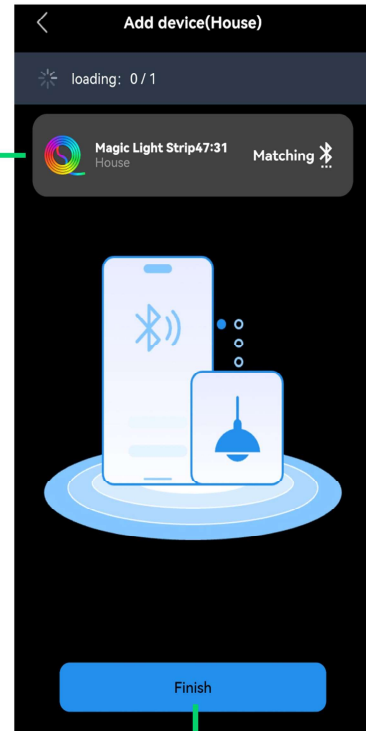
6

7 Plug in the smart box power plug.

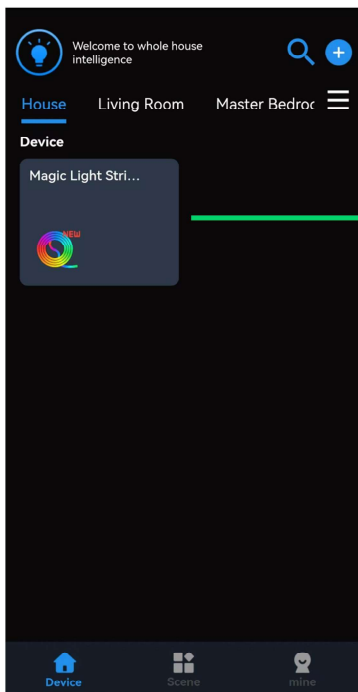
The appearance of this program icon indicates that the matching is complete



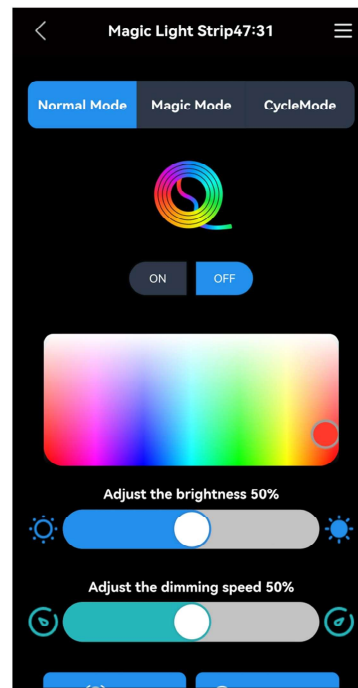
8



9



10



Now you can freely adjust the lighting according to your preferences