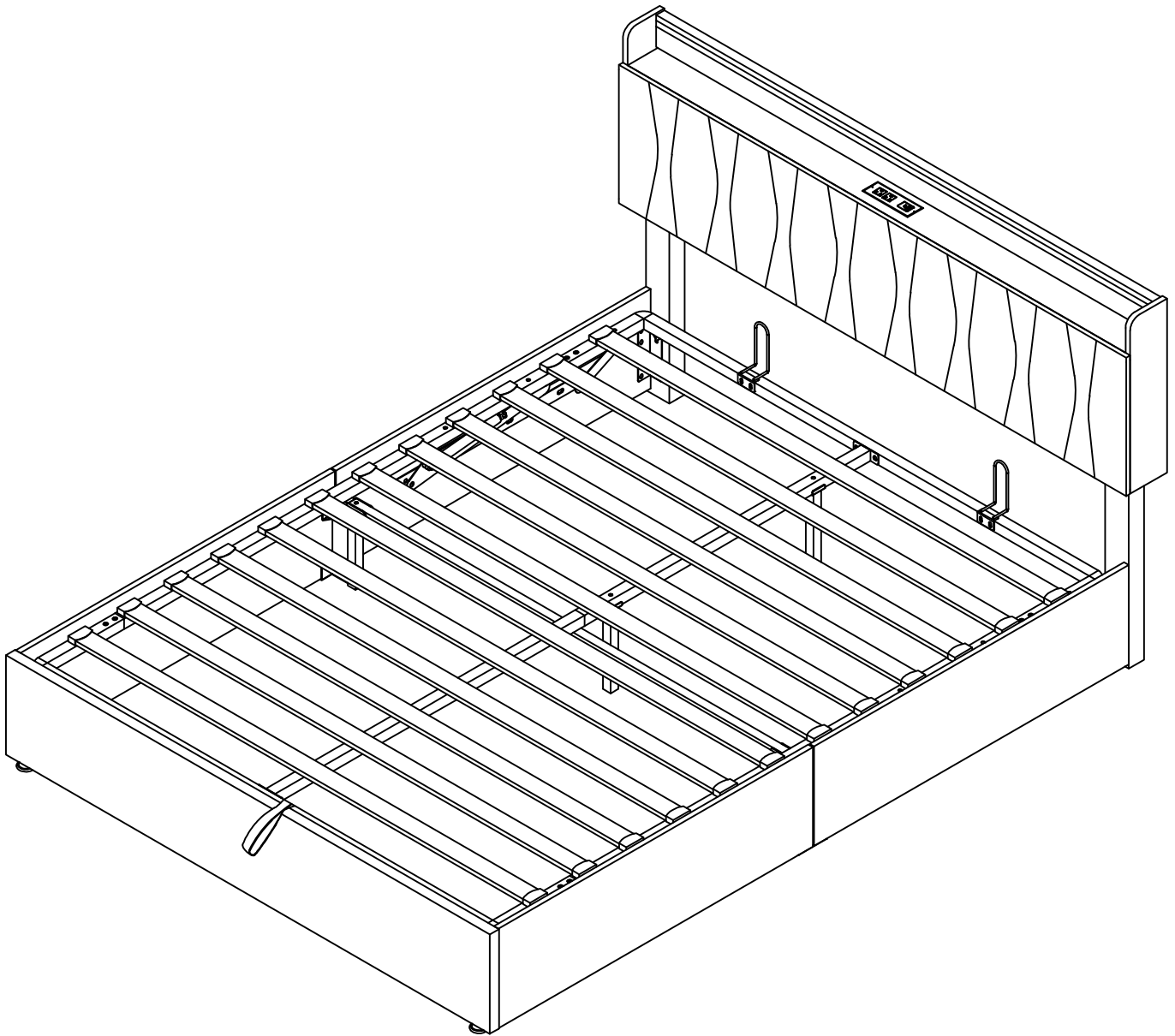


JY9954--01

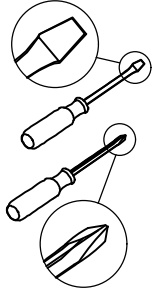


As this item contains many parts, please read the installation instruction carefully before installation . Please use tools properly and carefully. If you have any questions about the product and installation, please contact us.

hosoteservice@gmail.com

Our professional after-sales team will serve you online all day.

Before You Start



- ✓ Read through each step carefully and follow the proper order
- ✓ Separate and count all your parts and hardware
- ✓ Give yourself enough room for the assembly process
- ✓ Have the following tools: Flat Head Screwdriver, #2 Phillips Head Screwdriver
- ✓ Caution: If using a power drill or power screwdriver for screwing, please be aware of to slow down and stop when screw is tight. Failure to do so may result in stripping the screw.

Helpful Hints

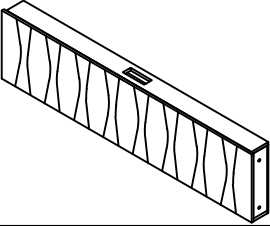
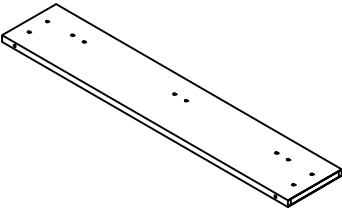
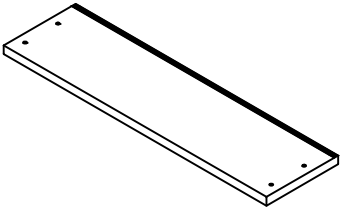
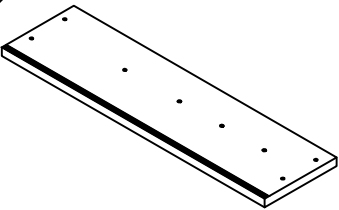
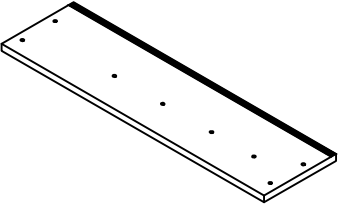
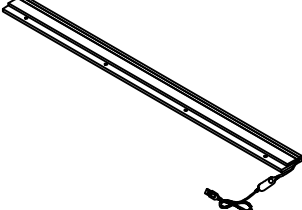


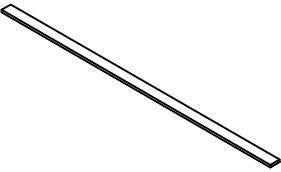
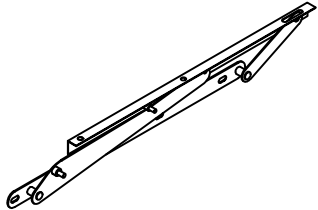
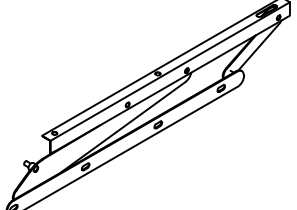
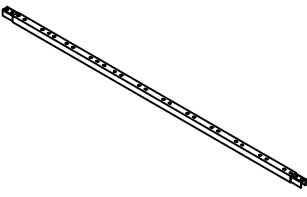
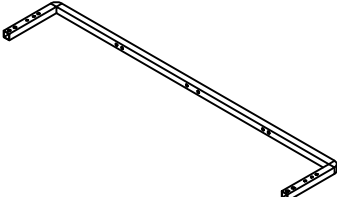
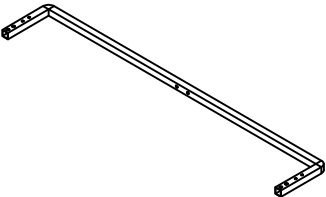

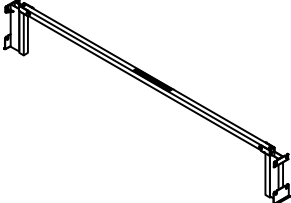
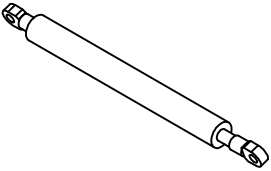
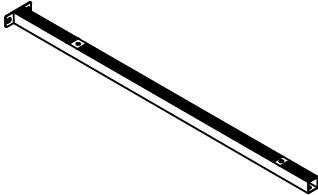

PEOPLE NEEDED FOR ASSEMBLY: 1-2

- Open your item in the area you plan to keep it to avoid excessive heavy lifting.
- Identify, sort and count the parts before attempting assembly.
- Do NOT use harsh chemicals or abrasive cleaners on this item.
- Never push, pull, or drag your furniture.

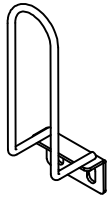


Board Identification

Not actual size

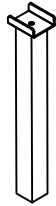
			
<p>A 1PC BACKREST</p>	<p>B 1PC FOOTBOARD</p>	<p>C2 2PCS SIDE PANEL</p>	
			
<p>D3 1PC LEFT SIDE PANEL</p>	<p>D4 1PC RIGHT SIDE PANEL</p>	<p>E 1PC BEDHEAD UPPER BACK PANEL</p>	<p>F1 1PC BEDHEAD LEFT SIDE PANEL</p>
			
<p>F2 1PC BEDHEAD RIGHT SIDE PANEL</p>	<p>G2 12PCS WOOD SLAT</p>	<p>H1 1PC LIFTING SYSTEM ACCESSORY</p>	<p>H2 1PC LIFTING SYSTEM ACCESSORY</p>
			
<p>I2 2PCS SIDE TUBE</p>	<p>J3 1PC HEAD TUBE</p>	<p>J4 1PC FOOT TUBE</p>	<p>K 2PCS BEDHEAD LEG</p>
			
<p>L2 1PC MIDDLE CONNECTING TUBE</p>	<p>N1 2PCS LIFTING SYSTEM ROD</p>	<p>O3 1PC MIDDLE METAL TUBE</p>	<p>O4 1PC MIDDLE METAL TUBE</p>

Part List



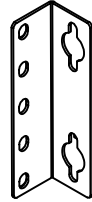
V 2PCS

MATTRESS STOPPER



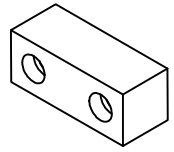
P 2PCS

MIDDLE SUPPORT LEG



Q 4PCS

METAL PLATE

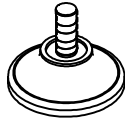


U 3PCS



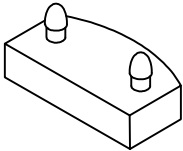
W 1PC

PULL ROPE



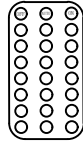
S 2PCS

FOOT



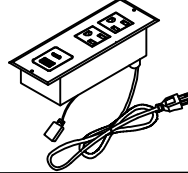
R 24PCS

SLAT ACCESSORY



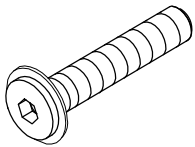
T 1PC

REMOTE CONTROL



M 1PC

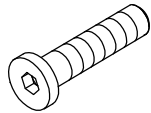
SOCKET



M8*50mm

X1 10PCS

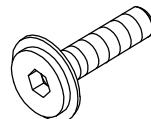
BOLT
spare:1



M8*45mm

X2 10PCS

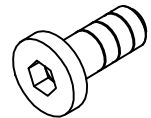
BOLT
spare:1



M8*30mm

X3 20PCS

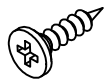
BOLT
spare:3



M8*18mm

X4 34PCS

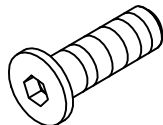
BOLT
spare:3



M3*16mm

X5 2PCS

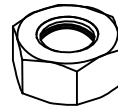
SCREW



M8*35mm

X6 4PCS

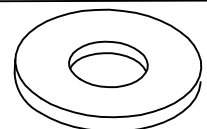
BOLT



M8

Y 10PCS

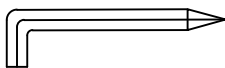
NUT
spare:1



$\phi 22 * \phi 8.5$

Z1 8PCS

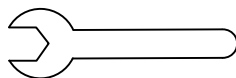
GASKET
spare:1



M8

Z2 1PC

ALLEN KEY



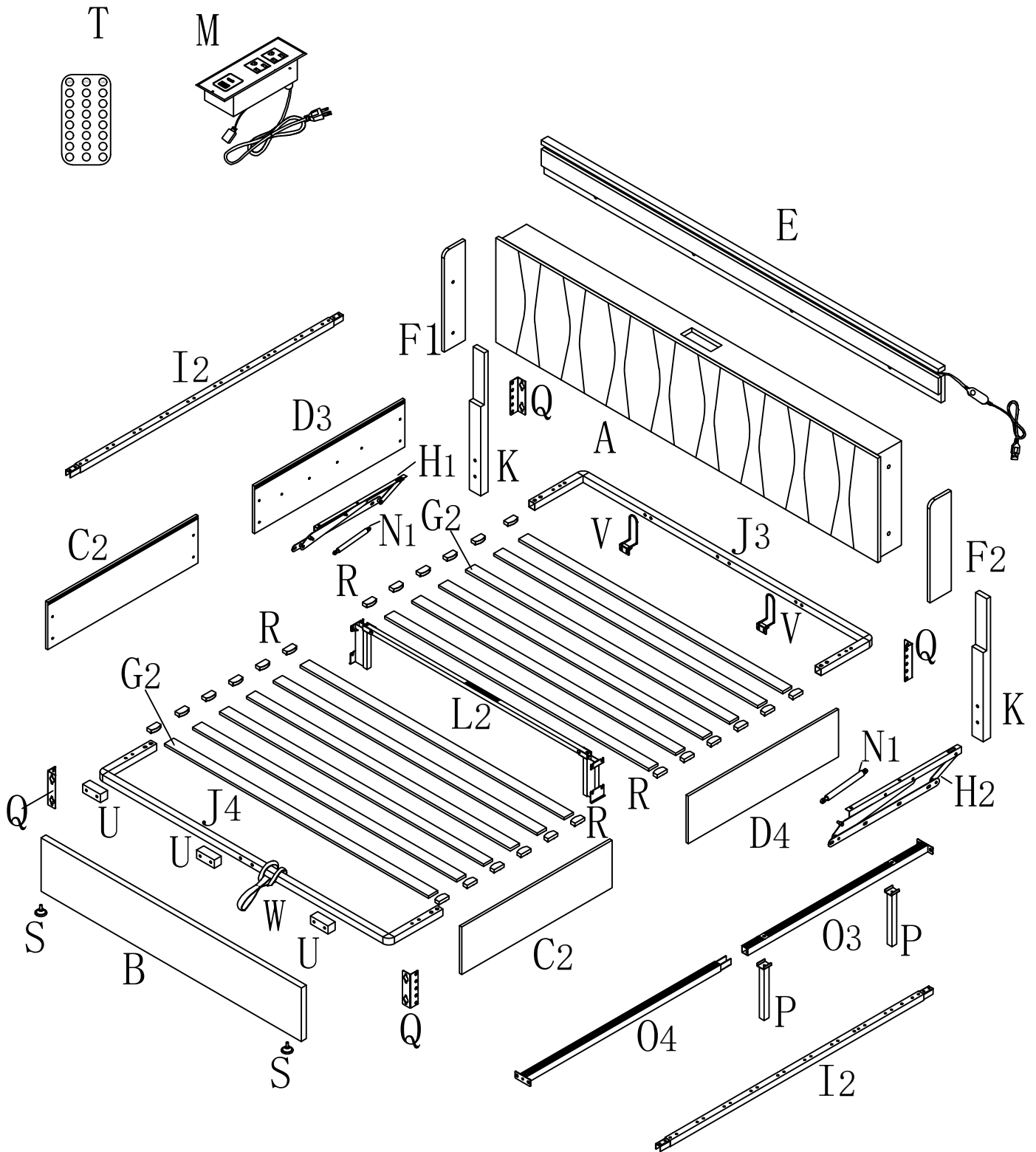
M8

Z3 1PC

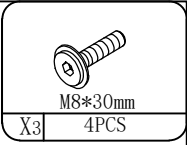
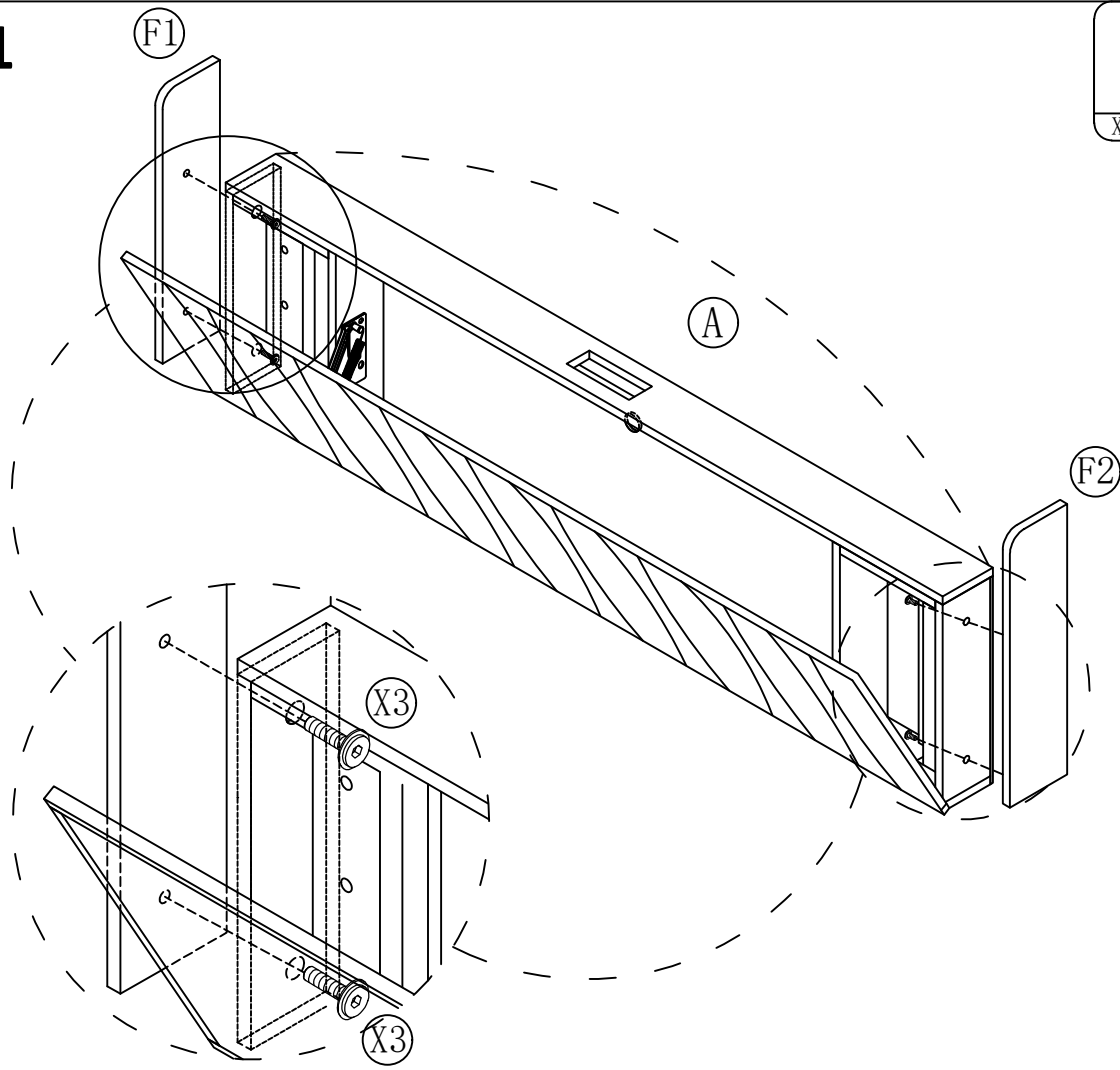
WRENCH

Board Identification

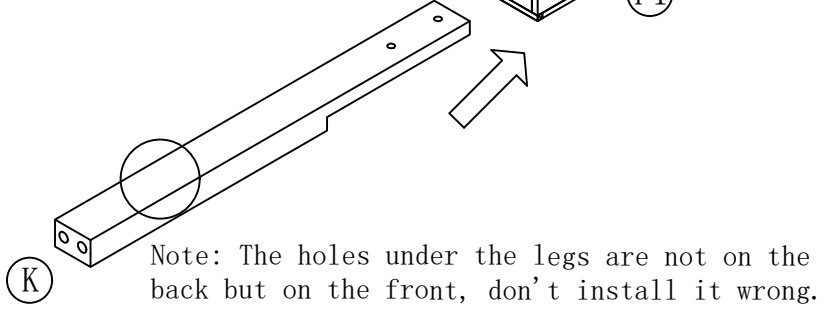
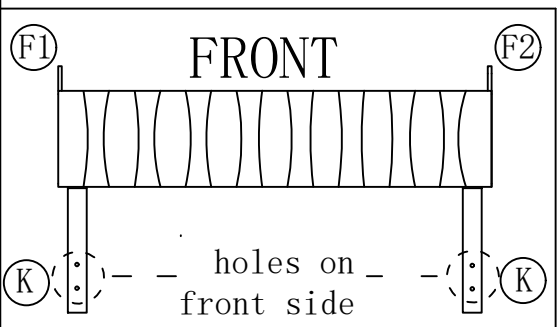
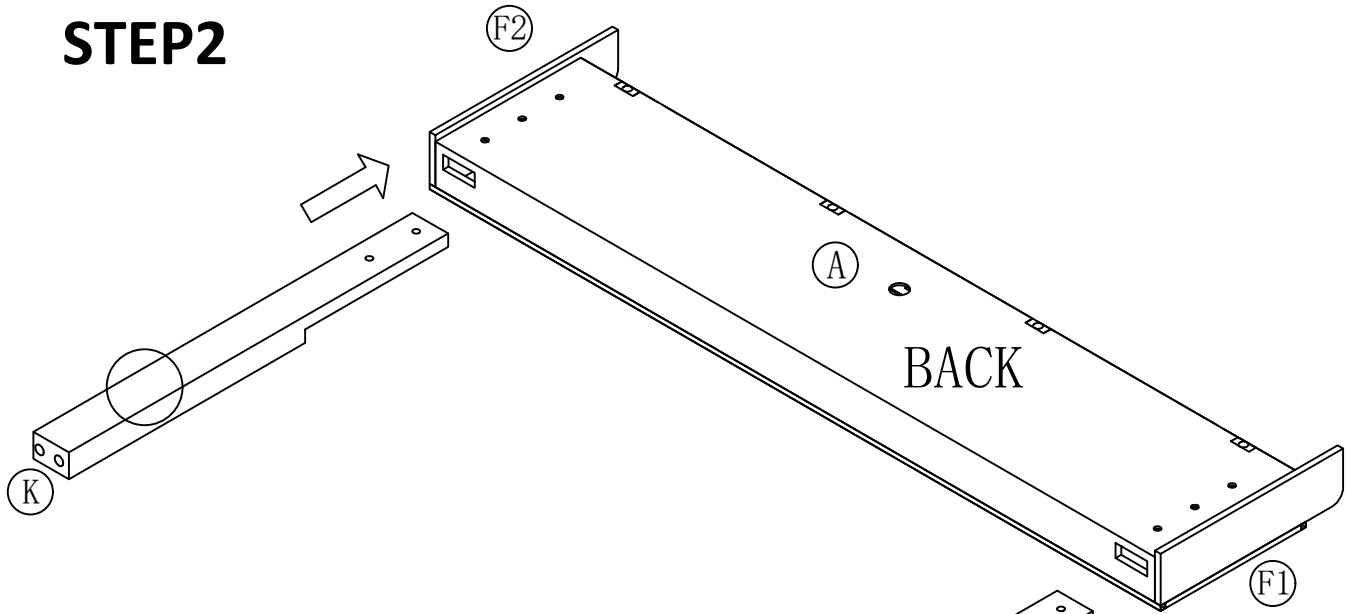
Not actual size



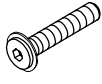

STEP1

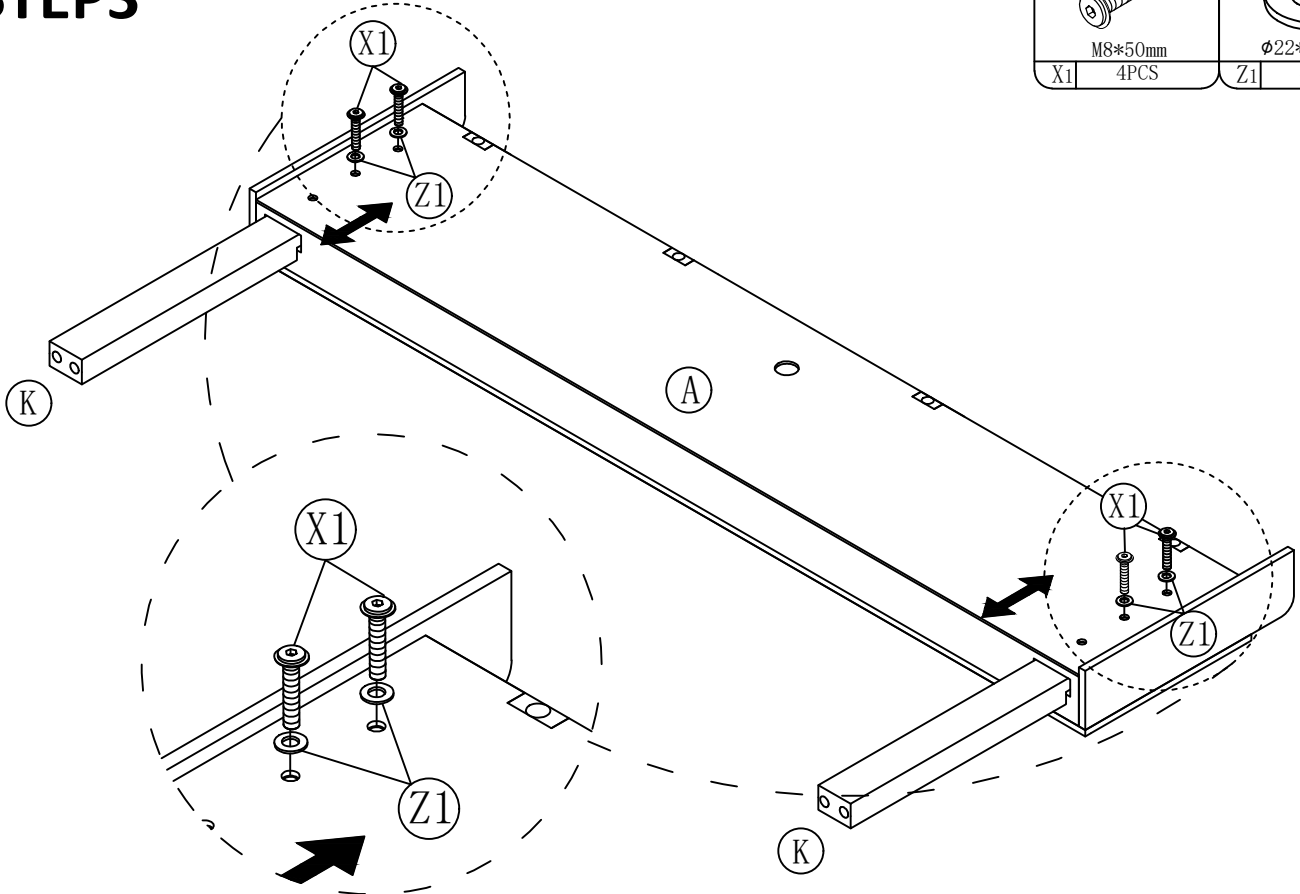


STEP2




STEP3

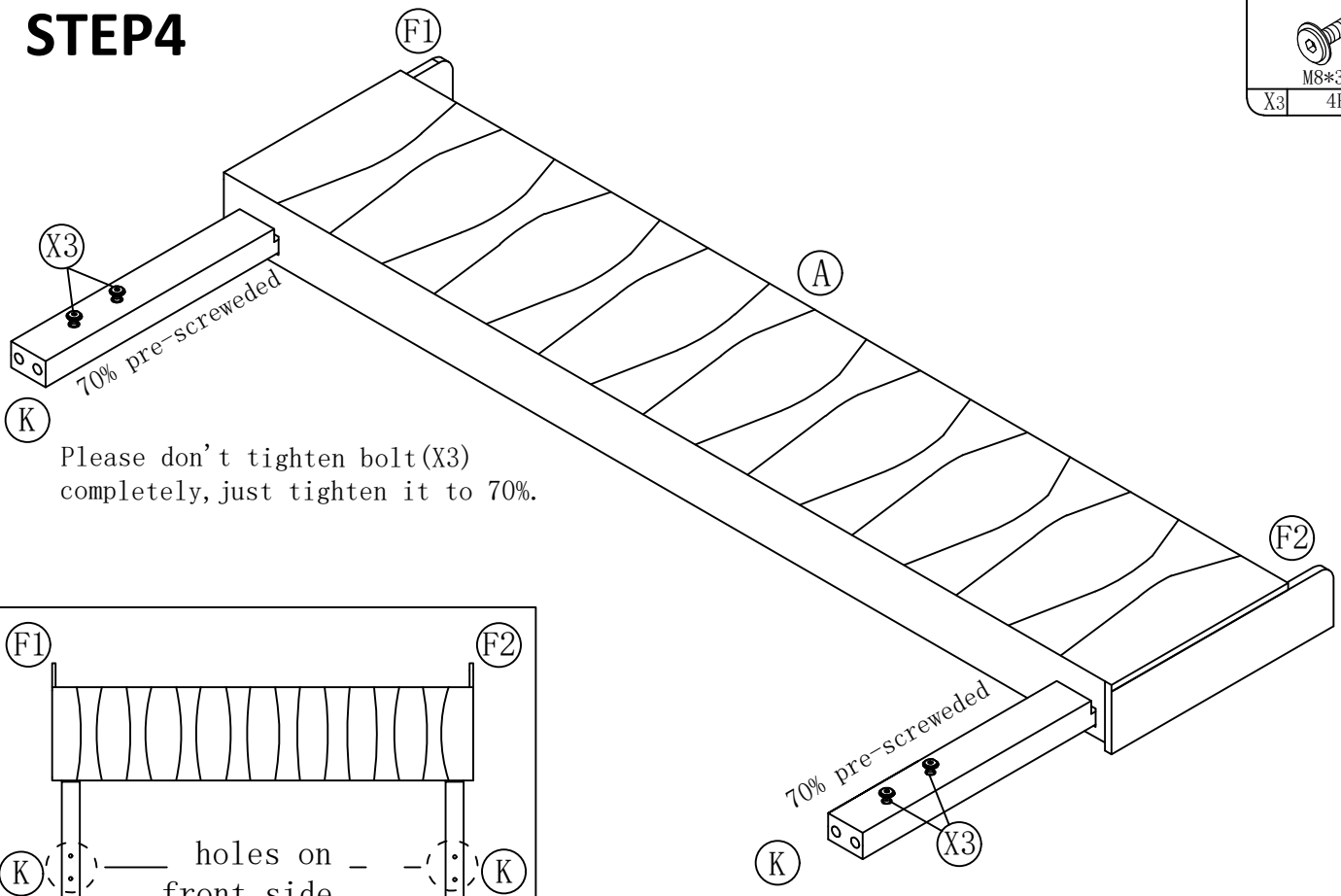
	
M8*50mm	Ø22*Ø8.5
X1 4PCS	Z1 4PCS



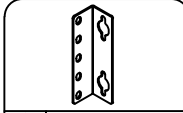

There are 3 screw holes on the left and right, you can choose 2 holes to adjust the height of the headboard.

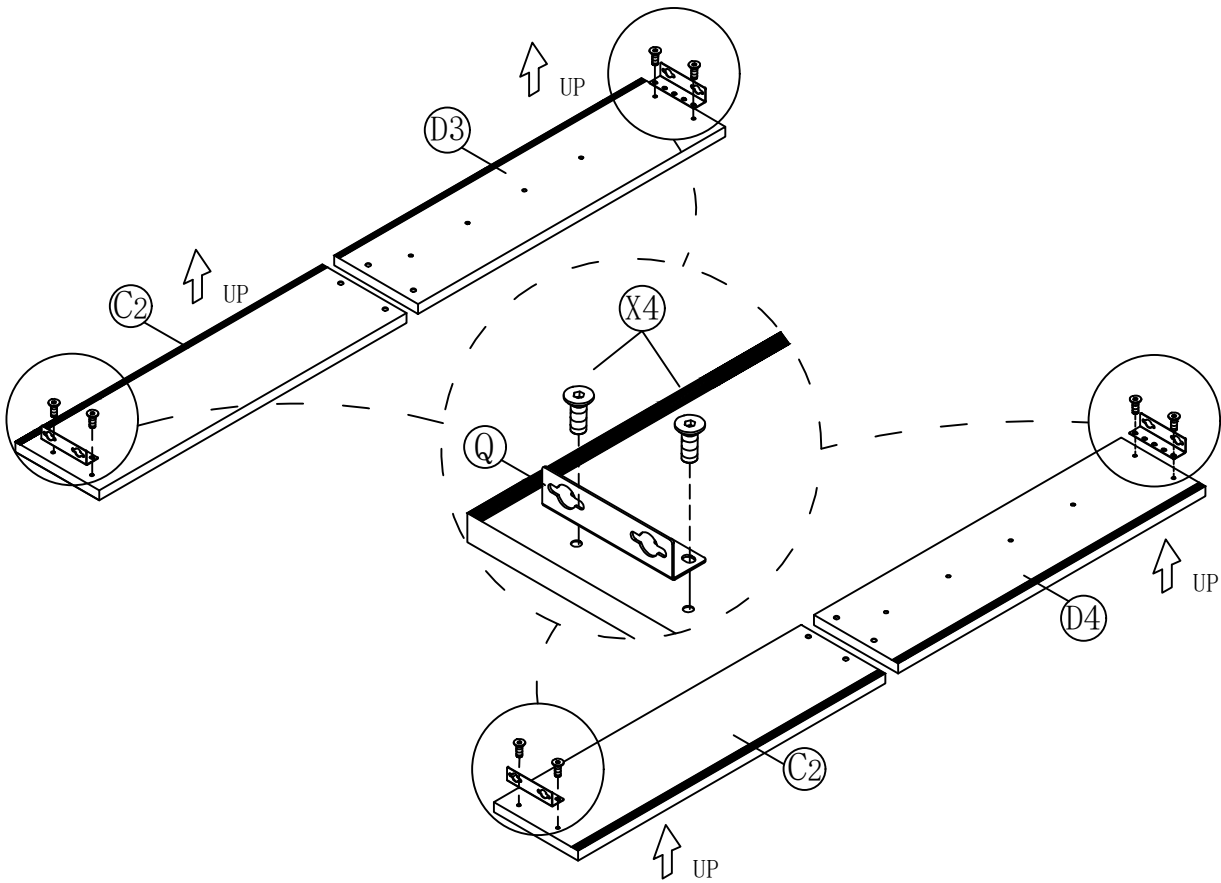
STEP4


M8*30mm
X3 4PCS




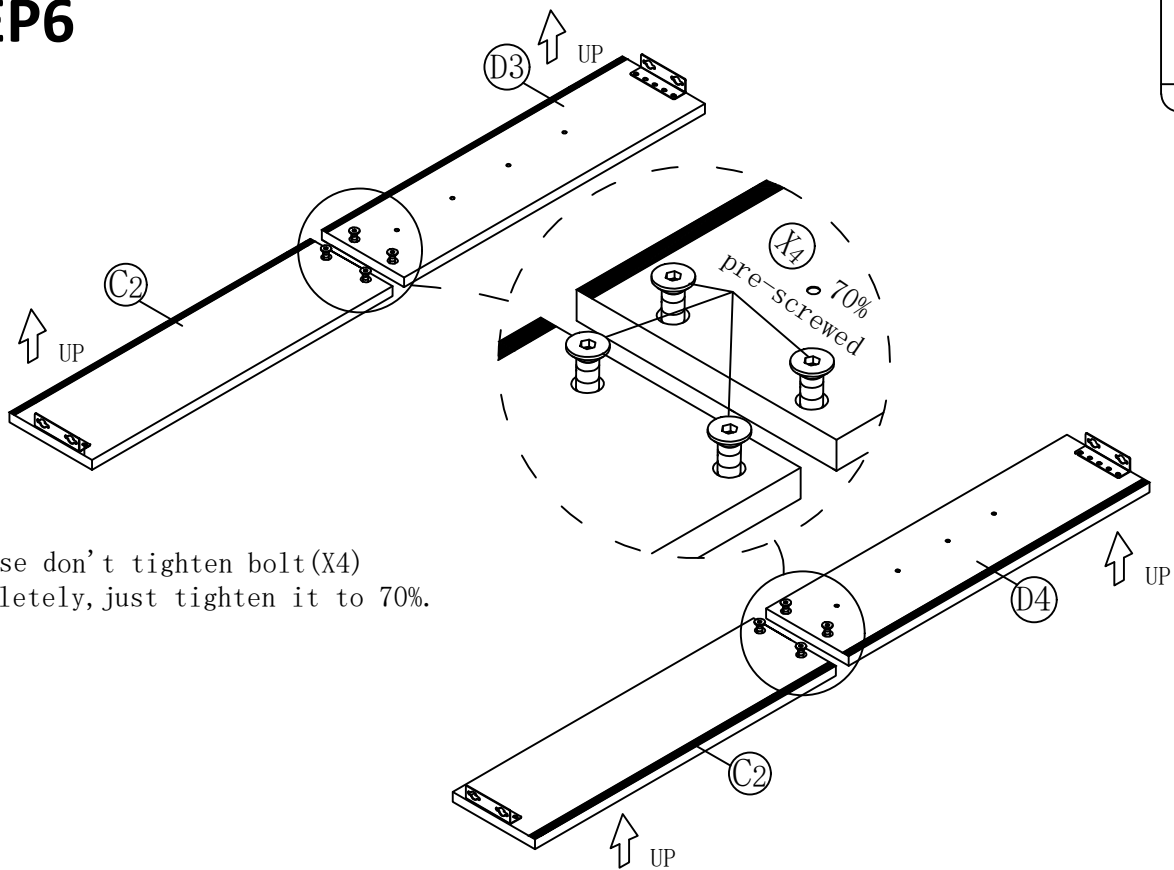
STEP5

	
Q 4PCS	X4 8PCS



STEP6


X4 8PCS

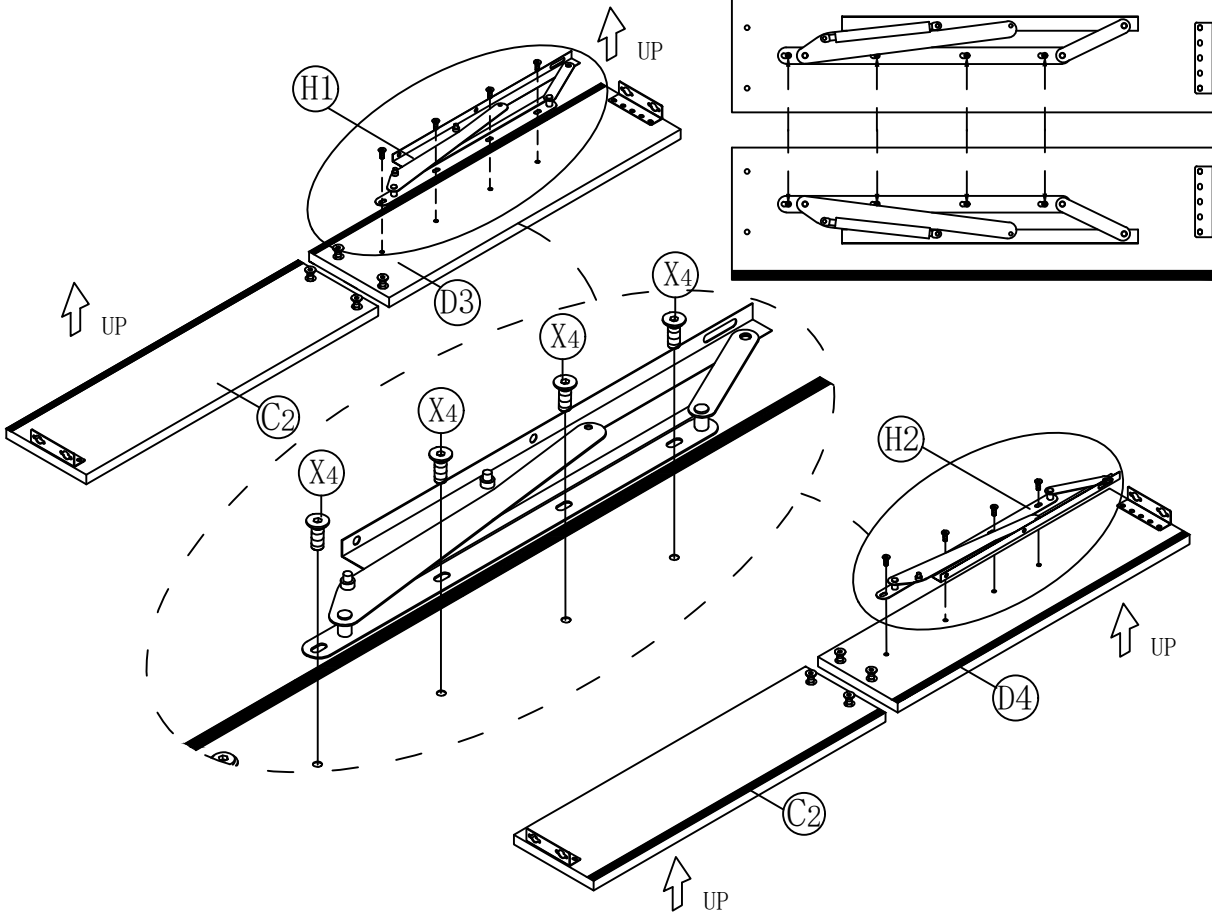


Please don't tighten bolt (X4) completely, just tighten it to 70%.

STEP7



M8*16mm
X4 8PCS



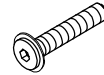
STEP8



S 2PCS



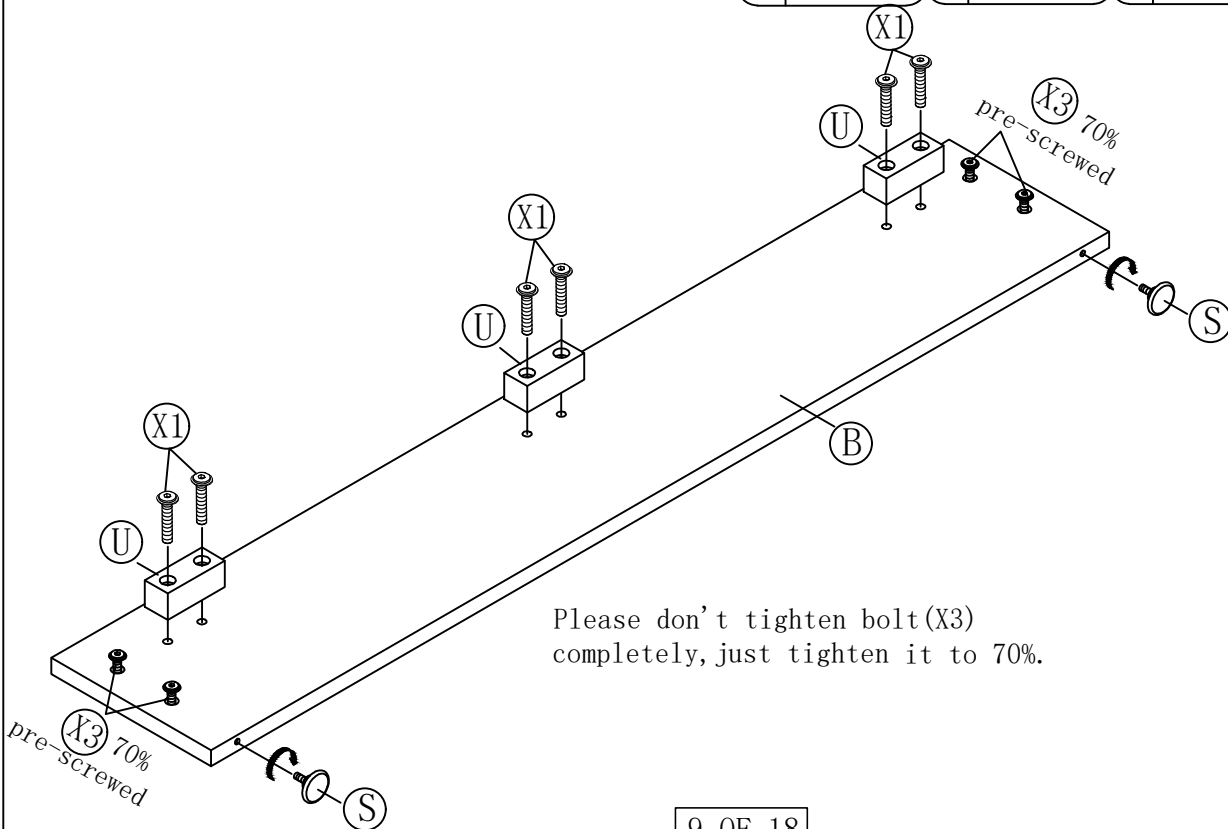
U 3PCS




M8*50mm
X1 6PCS

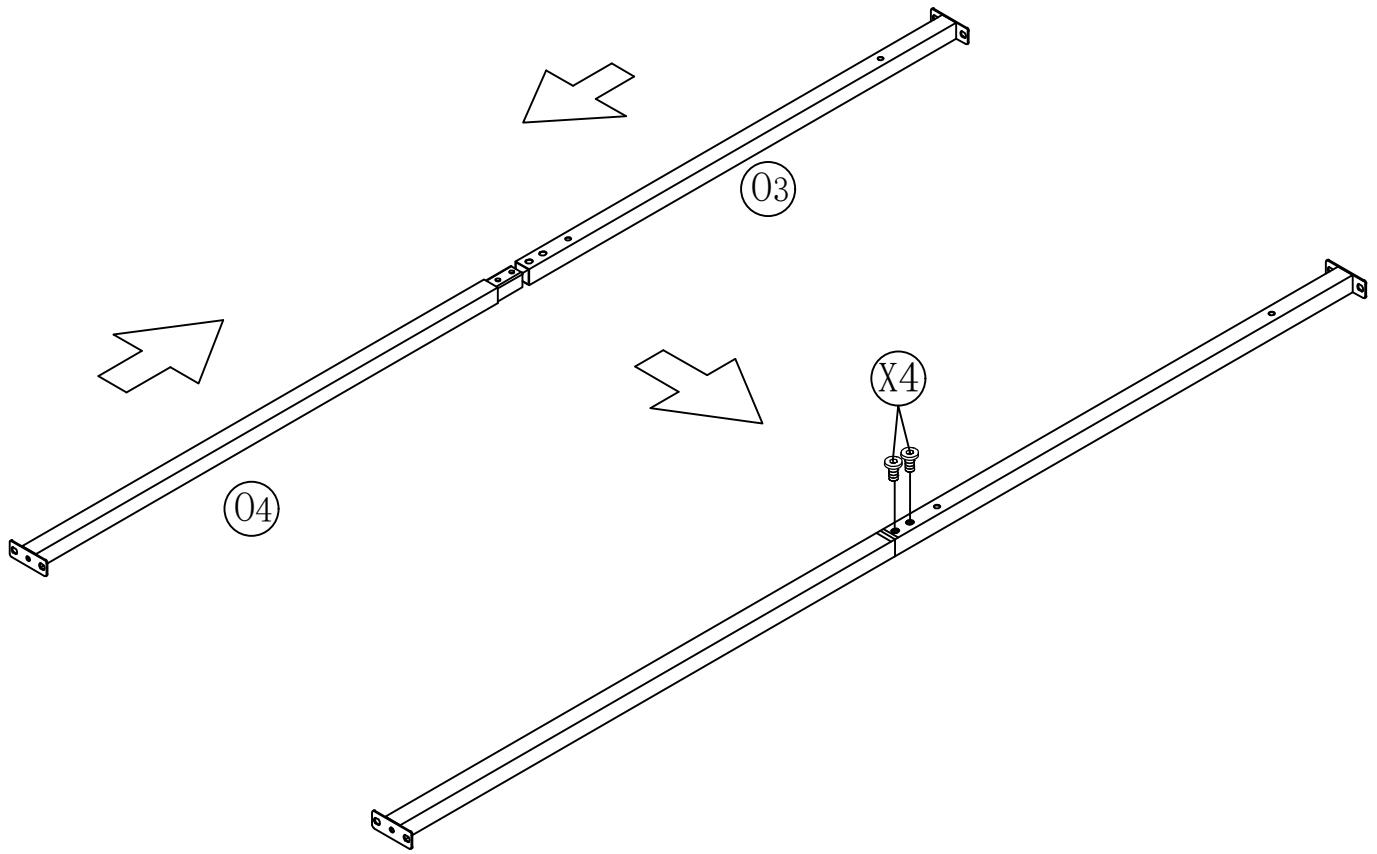


M8*30mm
X3 4PCS




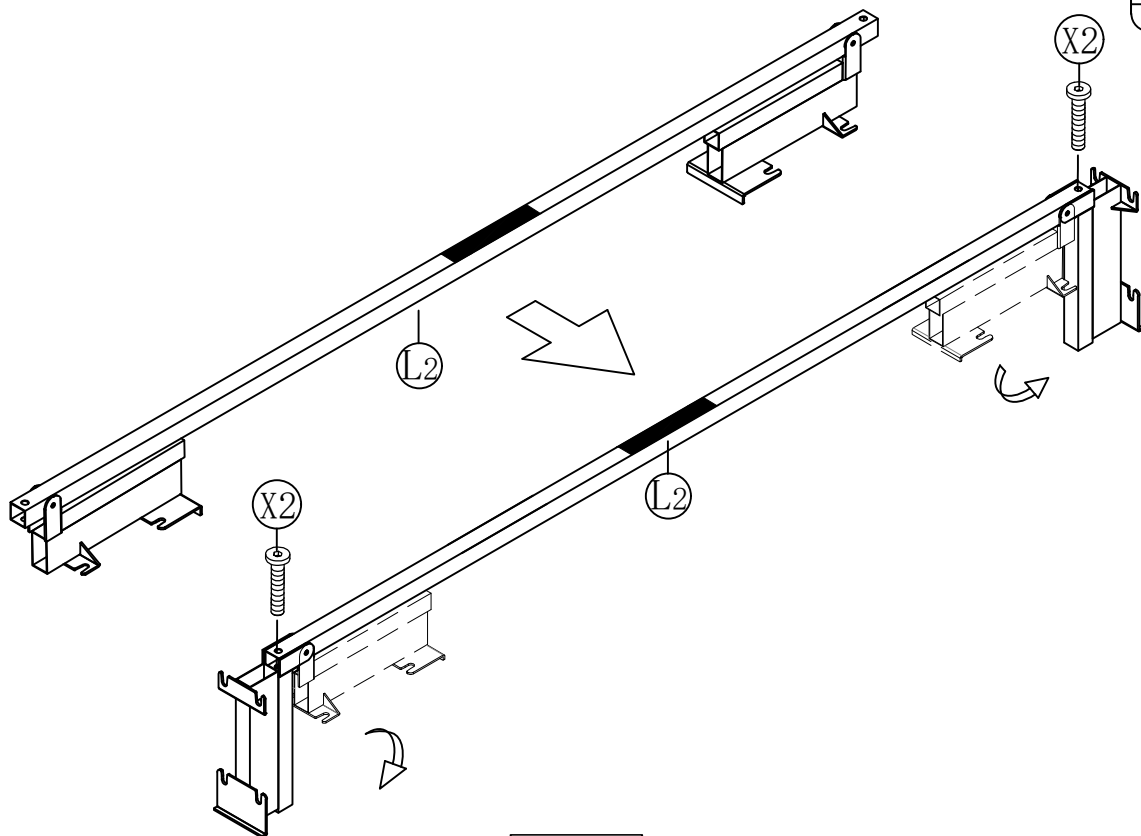
STEP9


M8*16mm
X4 2PCS

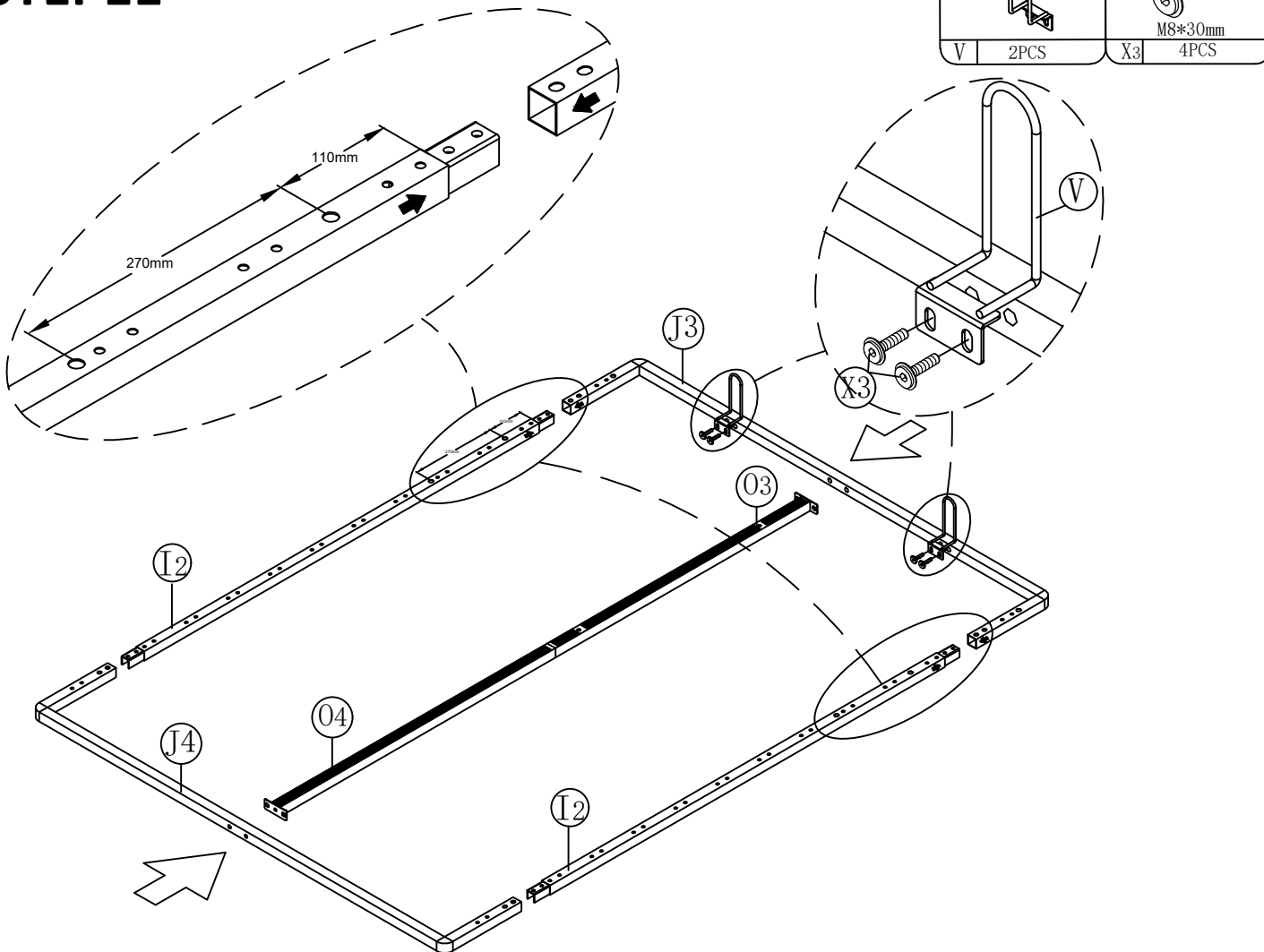


STEP10

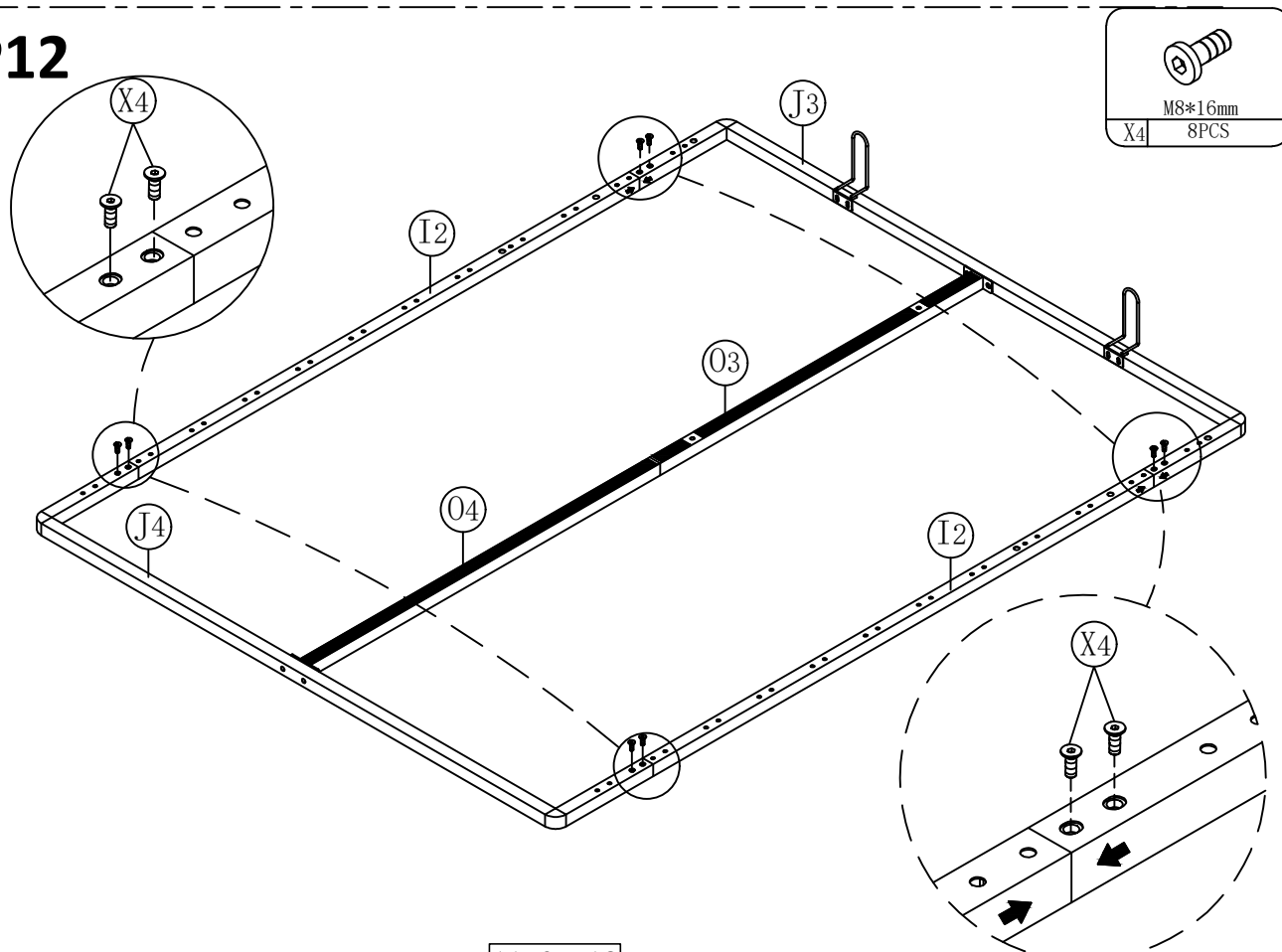

M8*45mm
X2 2PCS



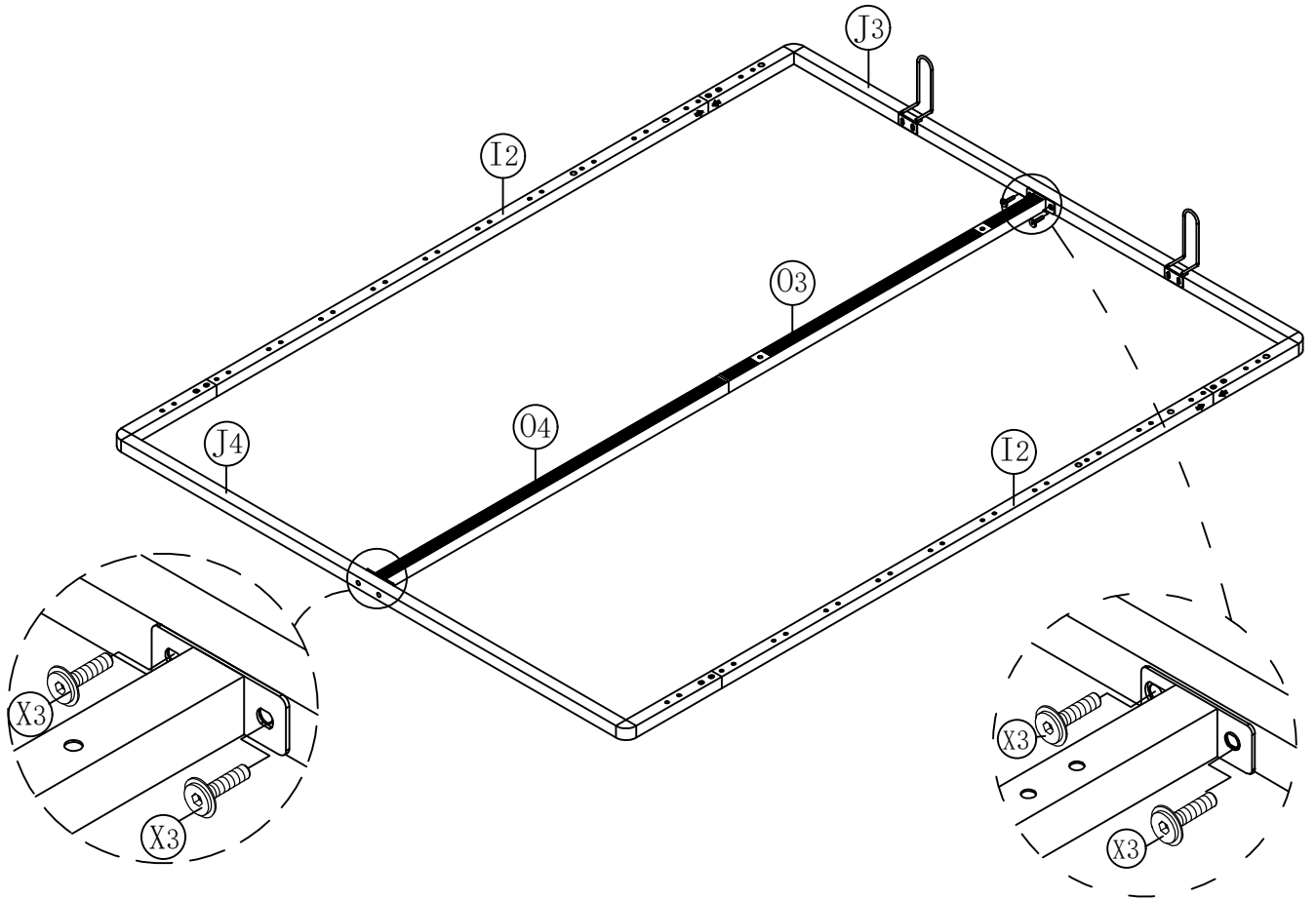
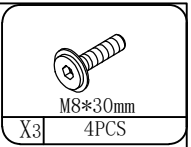
STEP11



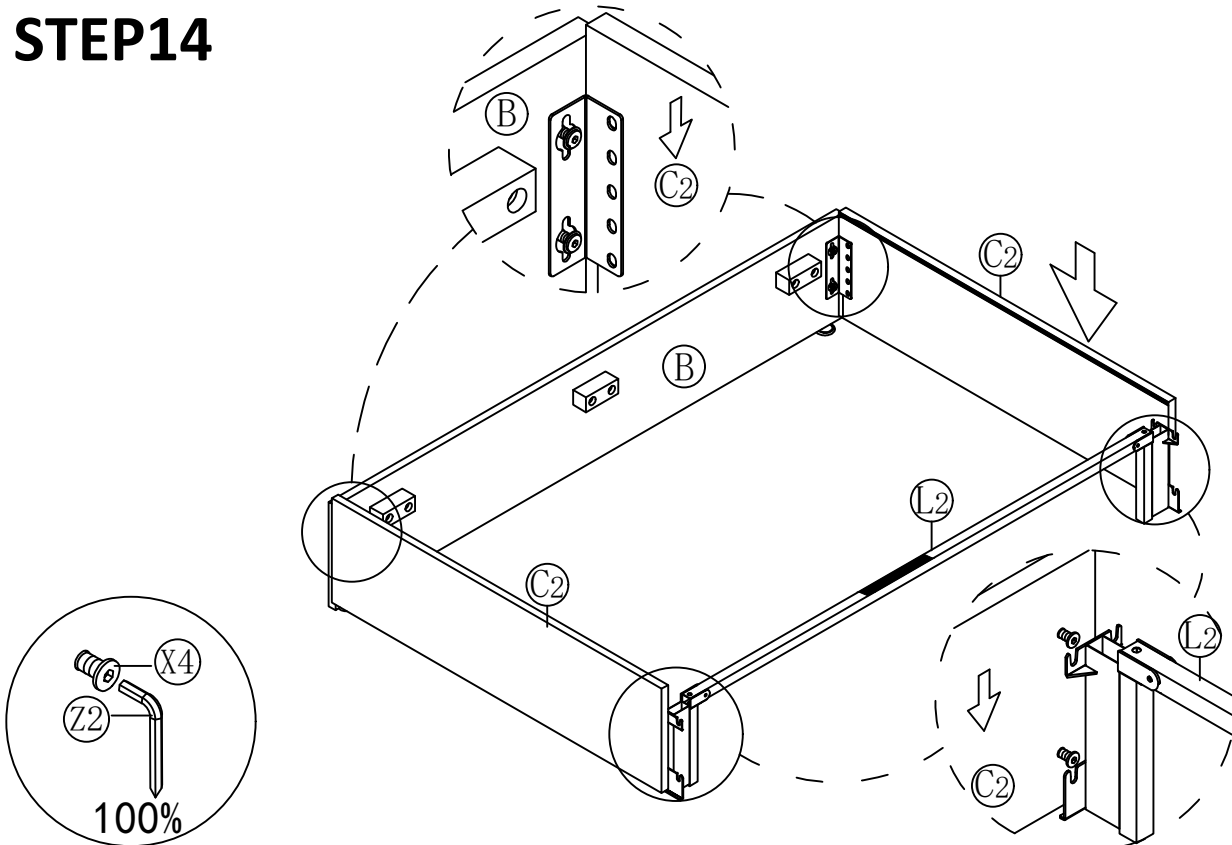
STEP12



STEP13

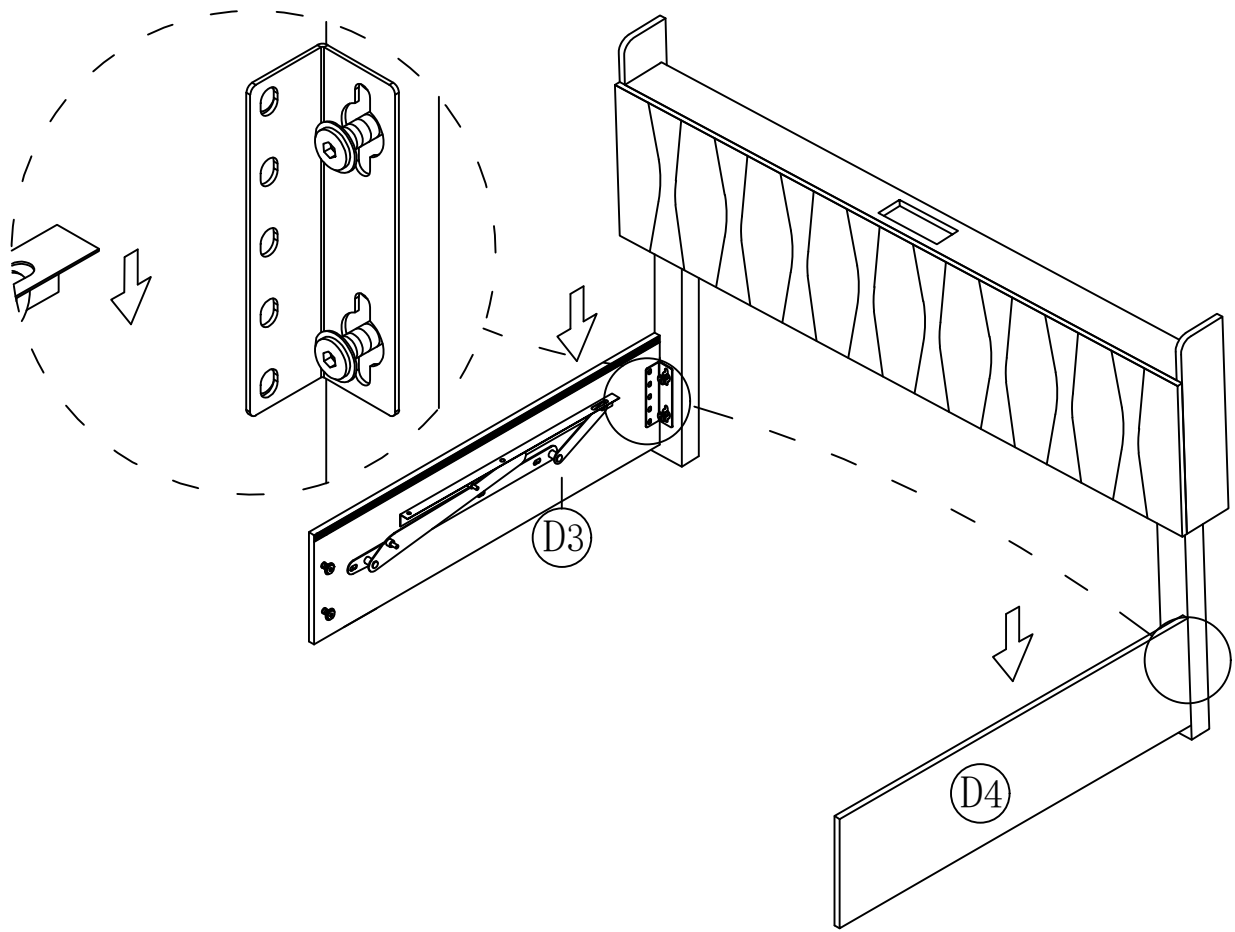


STEP14

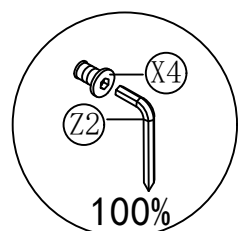
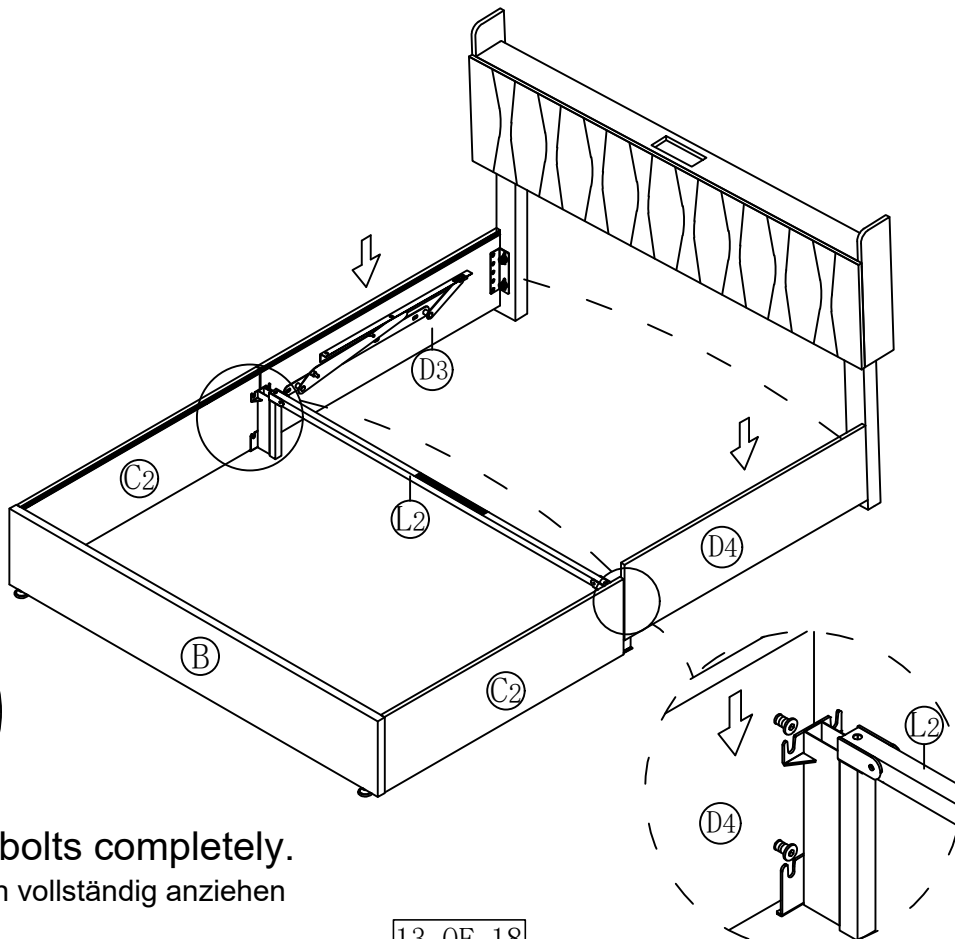


※Tighten all bolts completely.
Alle Schrauben vollständig anziehen

STEP15

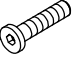


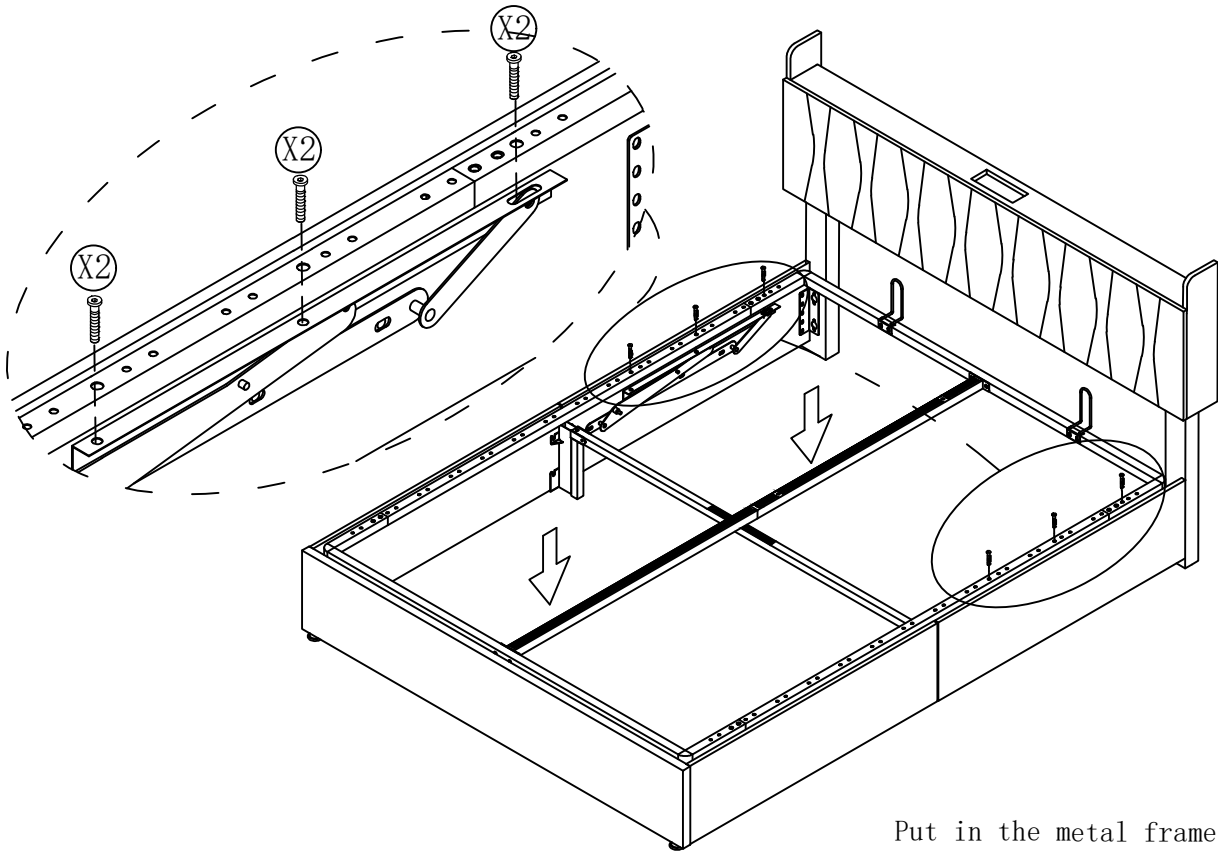
STEP16



※ Tighten all bolts completely.
Alle Schrauben vollständig anziehen


STEP17

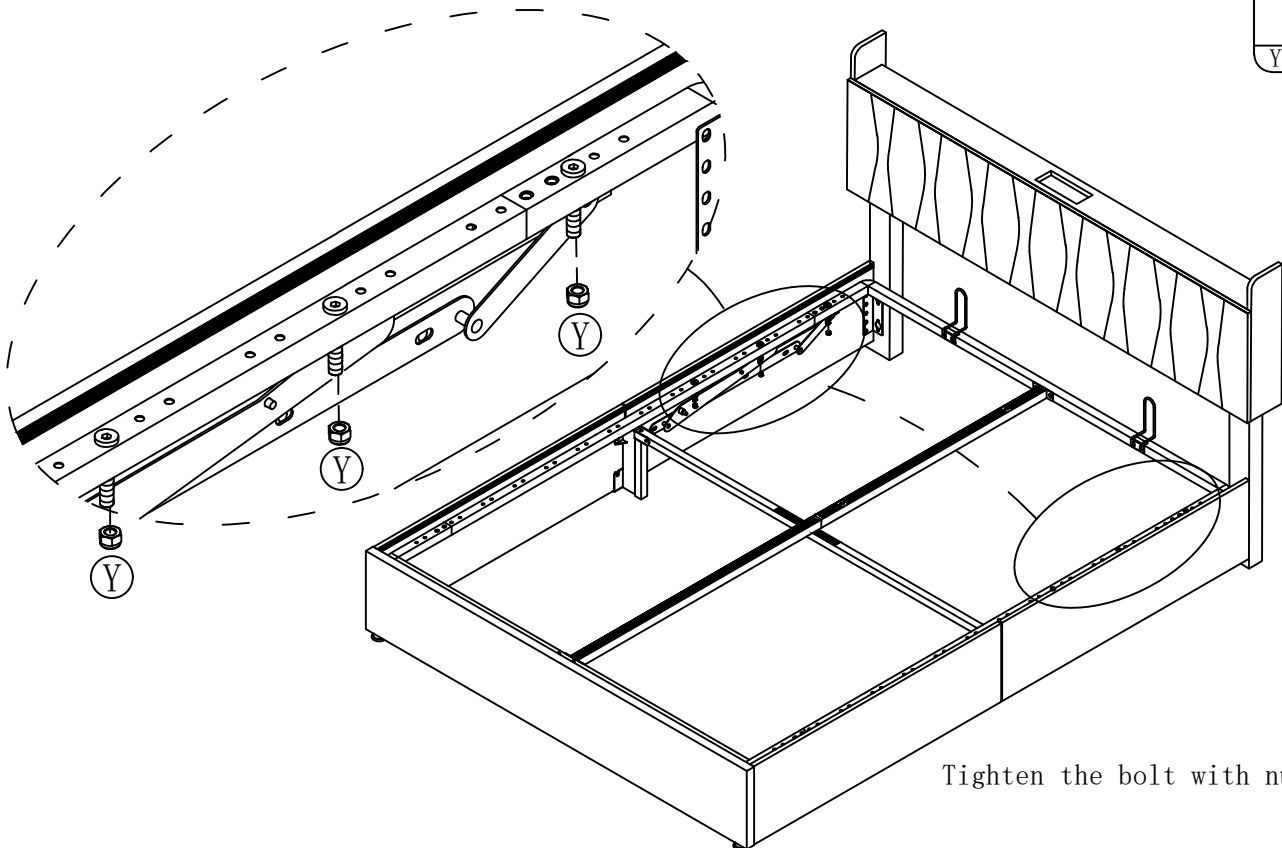

M8*45mm
X2 6PCS



Put in the metal frame assembled in step 13, and connect the side tube and lifting system accessories with bolt (X2).

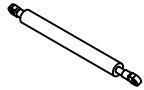

STEP18

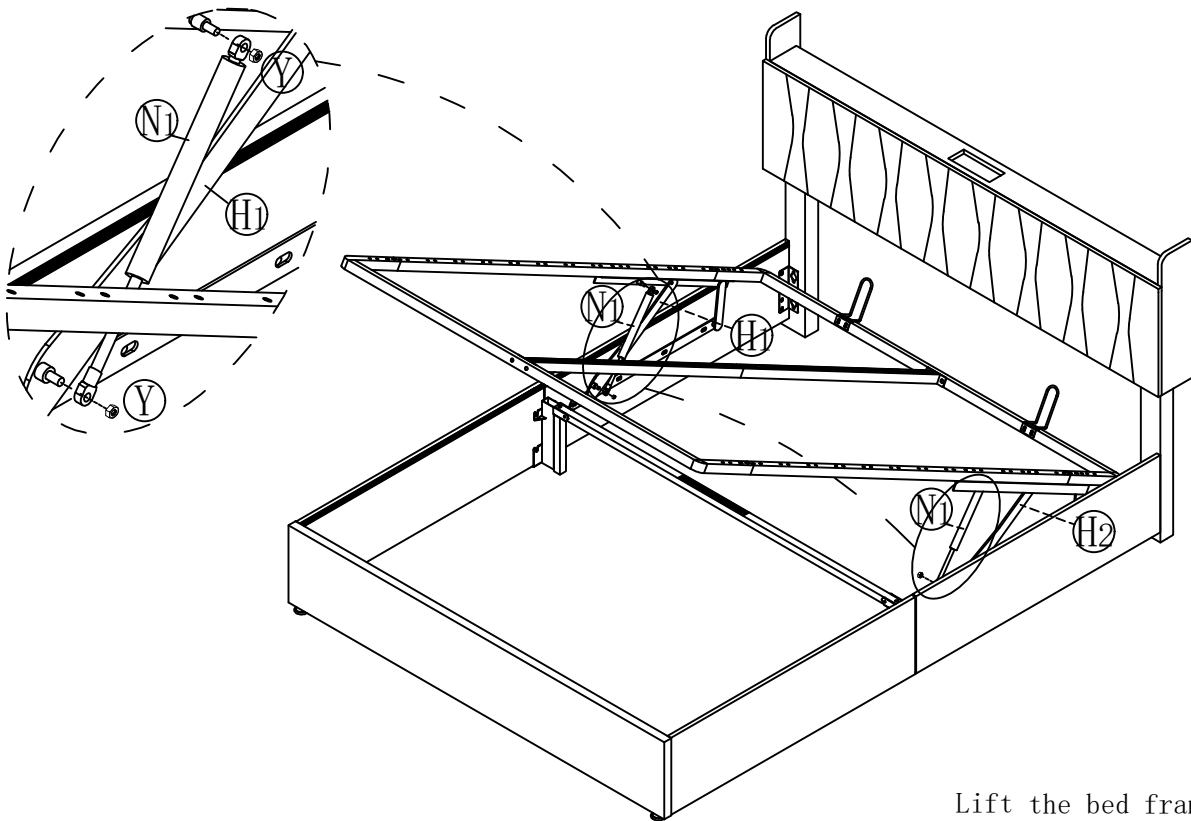

M8
Y 6PCS



Tighten the bolt with nut (Y).


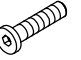
STEP19

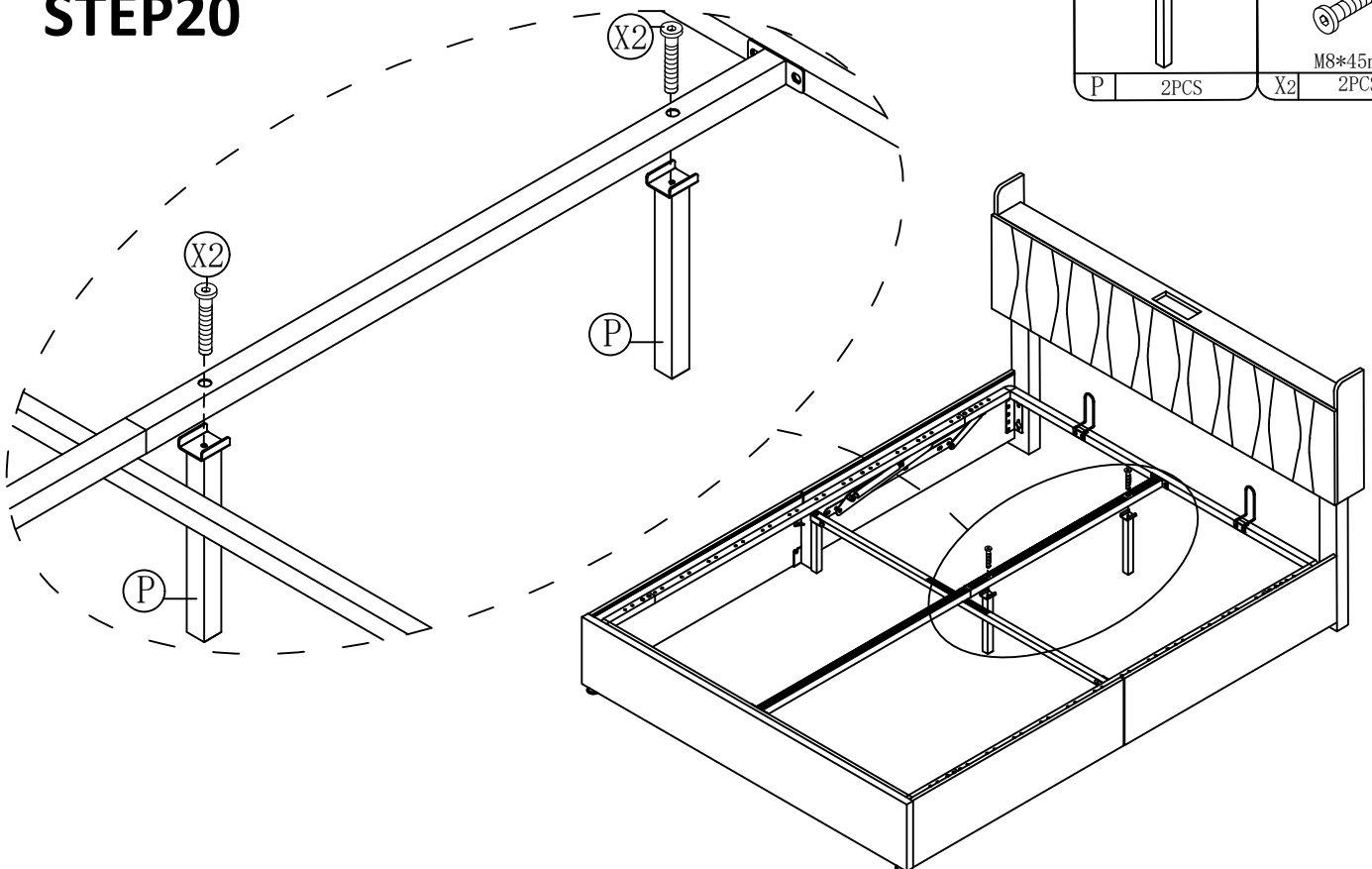
	
N1	M8
2PCS	4PCS





Lift the bed frame and tighten the lifting system rod(N1) on the lifting system accessory(H1) (H2) with nut (Y).

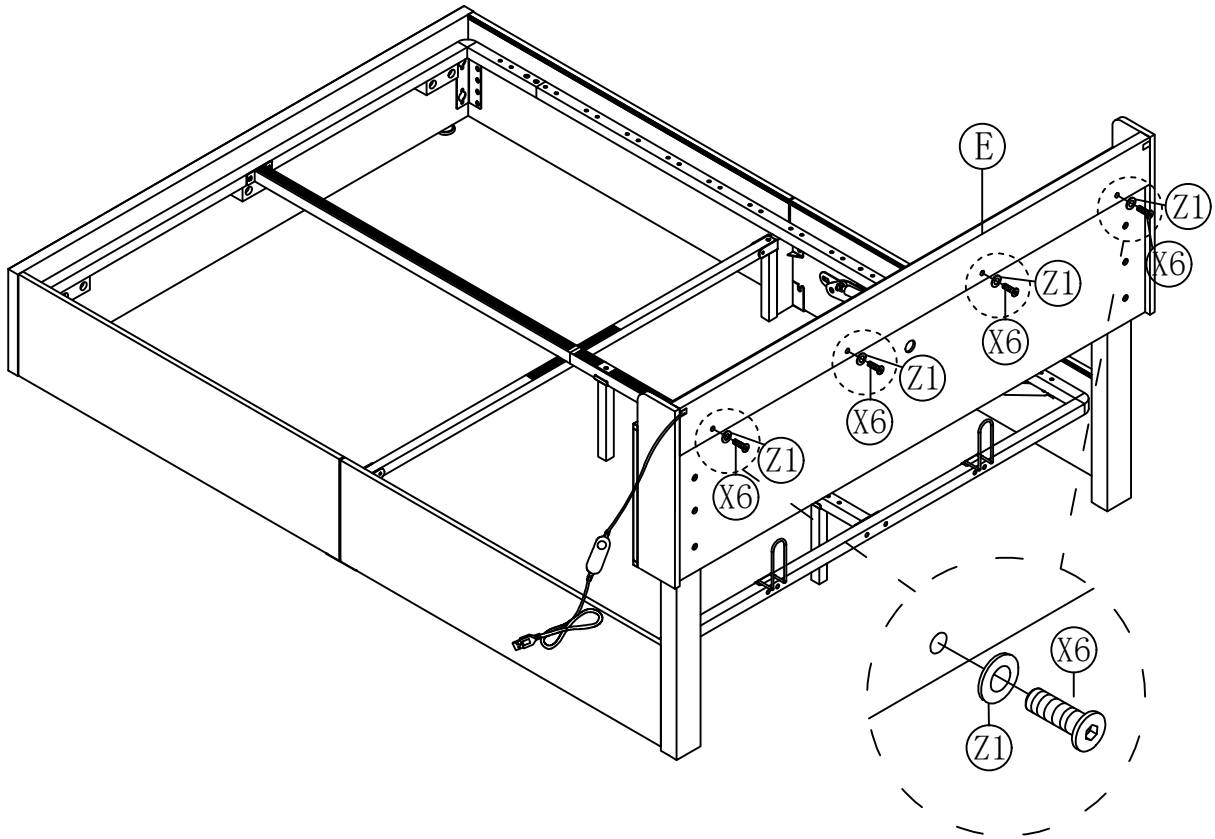
STEP20

	
P	M8*45mm
2PCS	X2
	2PCS





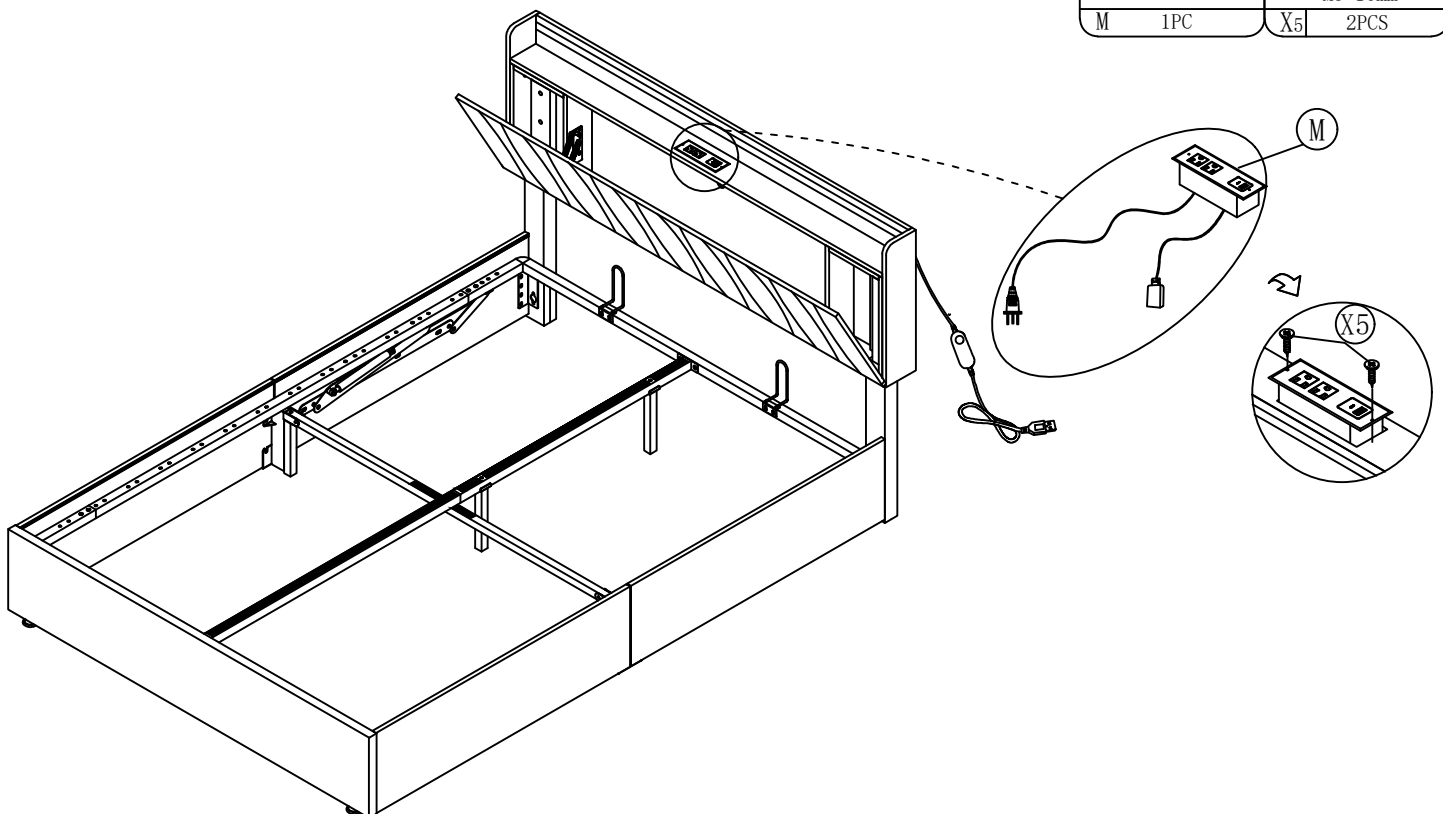
STEP21

	
M8*35mm	∅22*∅8.5
X6 4PCS	Z1 4PCS

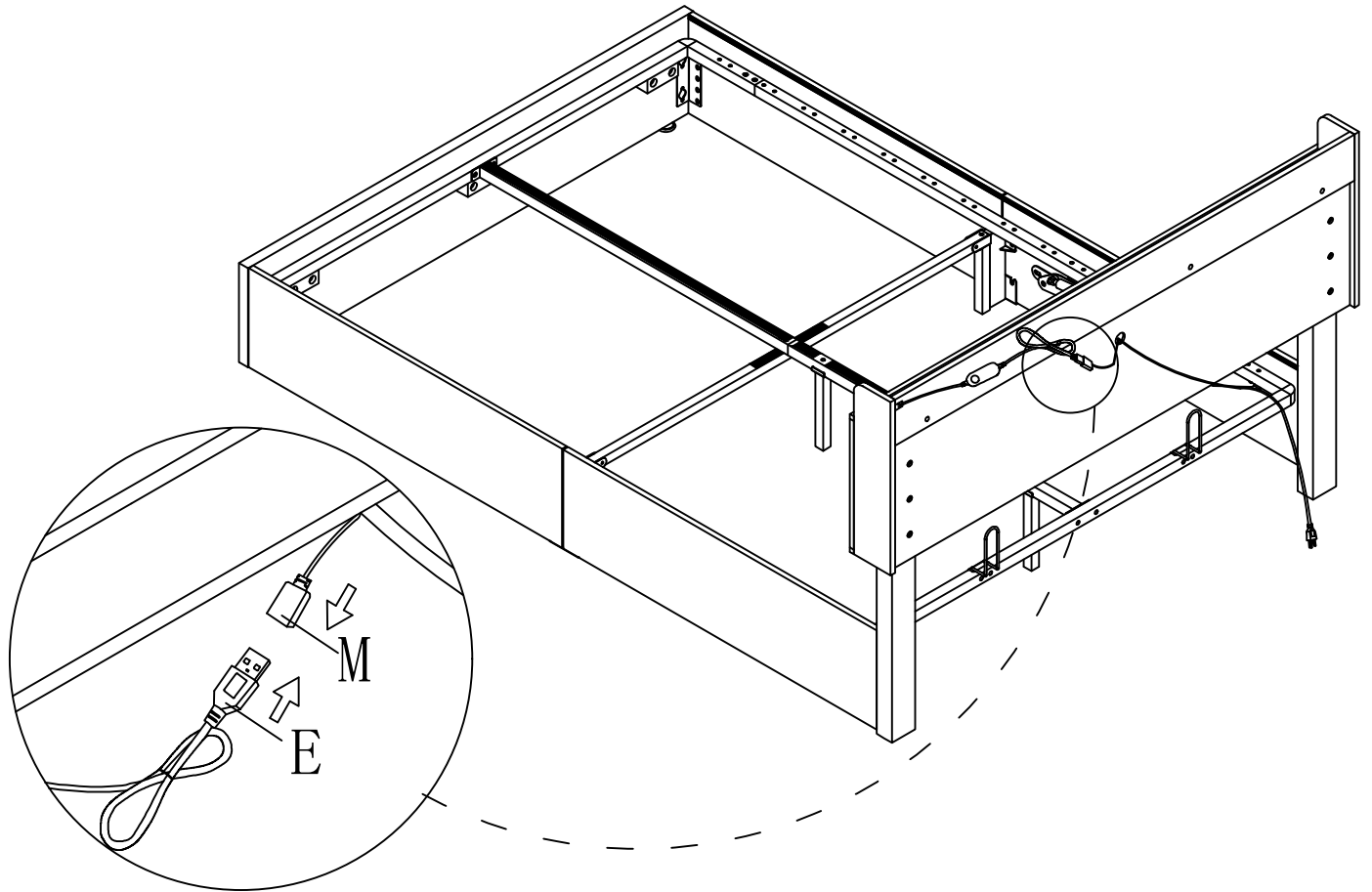


STEP22

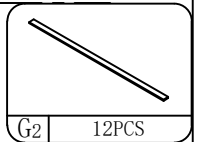
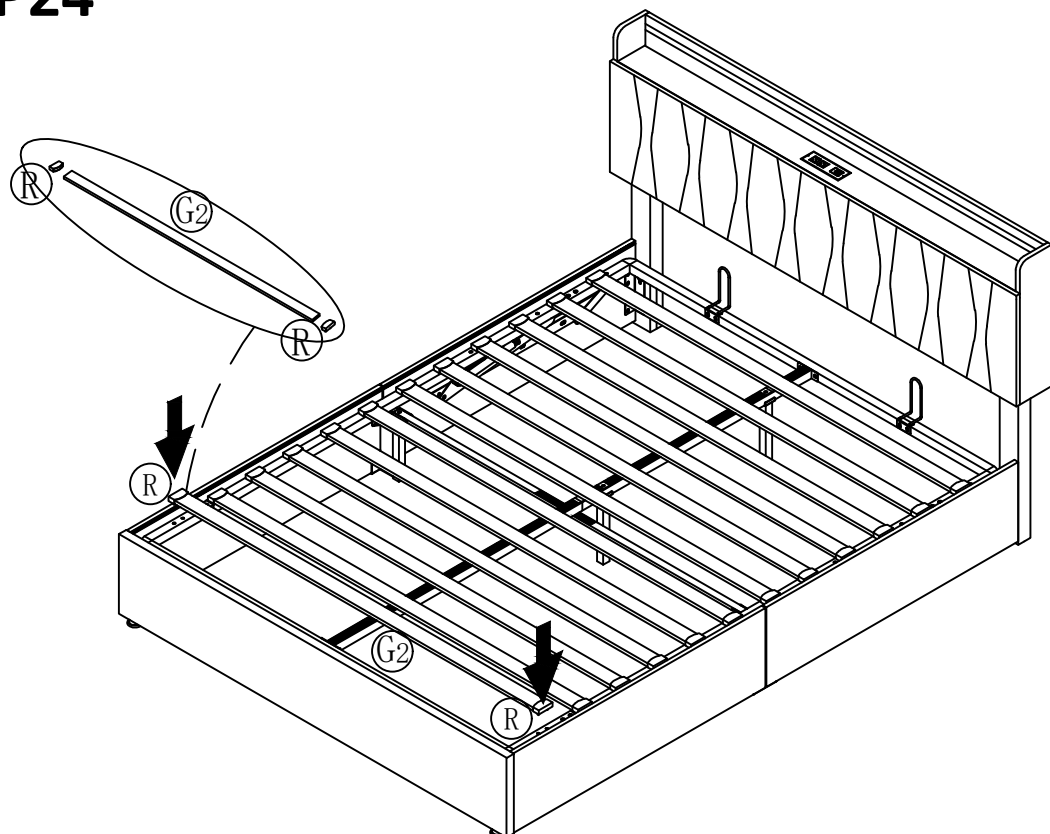
	
M 1PC	M3*16mm
X5	2PCS



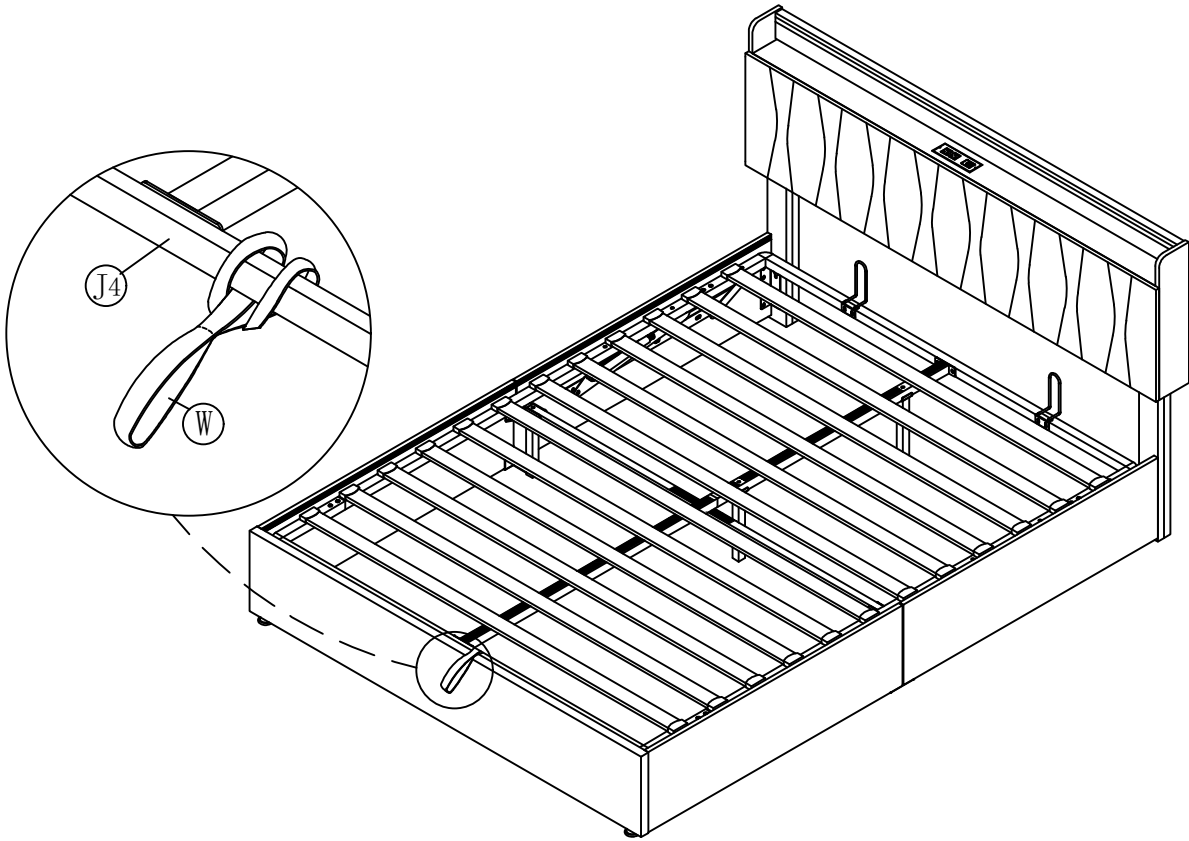
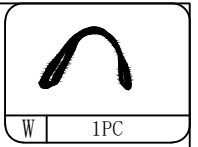
STEP23



STEP24



STEP25



STEP26

