

# INSTALLATION INSTRUCTIONS

## READ AND SAVE THESE INSTRUCTIONS

**WARNING! SHUT POWER OFF AT FUSE OR CIRCUIT BREAKER.**

**AVERTISSEMENT! COUPER LE COURANT AU NIVEAU DES FUSIBLES OU DU DISJONCTEUR.**

### ASSEMBLING THE FIXTURE (Fig.2)

1. Shut off the power at the fuse box or circuit breaker. If necessary, remove the existing fixture and its mounting hardware from the ceiling.
2. Carefully remove the new fixture from the carton and check that all parts are included as shown in the illustration.
3. Secure fixture loop (H) to nipple on top of the fixture body (I).
4. Attach the acrylic ball (J) to the fixture body (I) by turning it clock wise until tight.
5. Install the light bulbs (not included) in accordance with the fixture's specifications: **DO NOT EXCEED THE MAXIMUM WATTAGE RATING! (NE PAS DEPASSER LA PUISSANCE NOMINALE MAXIMALE!)**

### HANGING THE FIXTURE (Fig.1)

6. Using a pair of chain pliers, open one end link of the chain and connect to the fixture loop (H). Then close the link.
7. Carefully lace the fixture wires through the chain.
8. By measuring, determine the correct number of links needed for the desired hanging height. Using the chain pliers disconnect and discard the excess chain.
9. Open the other end link of the chain and attach it to the canopy loop (G). Then close the link.
10. Thread screws (A) into the pre-drilled holes in the circular strap (B) spaced the same distance apart as the holes in the canopy of the fixture body and secure with hex nuts (C).
11. Attach the circular strap (B) to the junction box using the mounting screws (D) (**size: #8-32N\*L0.5"**). The side of circular strap (B) marked "GND" must face out.

### CONNECTING THE WIRES (Fig.3)

12. At this point, connect the electrical wires as shown in figure 3, making sure that all wire connectors are secured. If your outlet has a ground wire (green or bare copper), connect the ground wires from the hanger ball and mounting plate to it. Otherwise, connect the ground wire from the hanger ball directly to the mounting plate ground wire and secure with the wire connectors provided. After wires are connected, tuck them carefully into the ceiling junction box.

### COMPLETING THE INSTALLATION (Fig. 1)

13. Align the canopy (E) over the circular strap (B) and secure with cap nuts (F).

Your installation is now complete. Return power to the junction box and test the fixture.

**Note: Illustration (Fig.1) (Fig.2) on this manual is for installation purposes only. It may or may not be identical to the fixture purchased.**

### CHAIN HUNG FIXTURE INSTRUCTION

Notice: It is important to use proper chain pliers (not included) To OPEN and CLOSE the chain included with this fixture. Do not open them with other tools that may twist or stress the chain links. It is important to use proper chain pliers like the ones shown in the diagram.

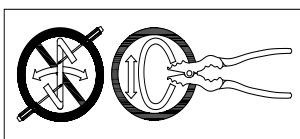


Fig. 1

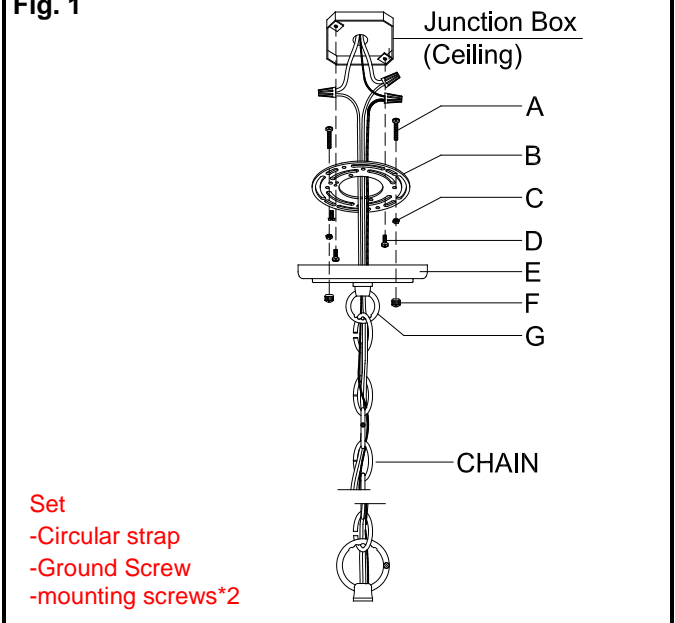


Fig. 2

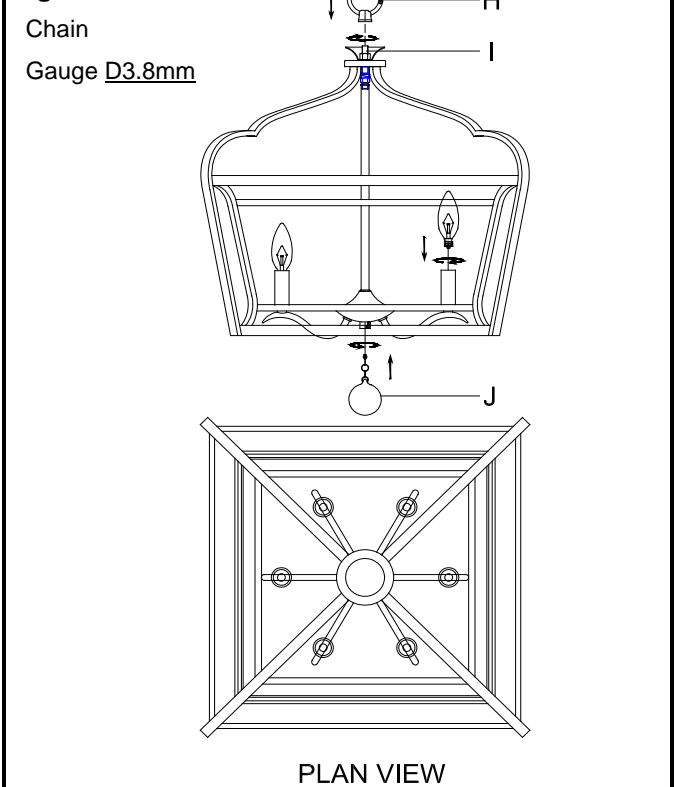


Fig. 3

