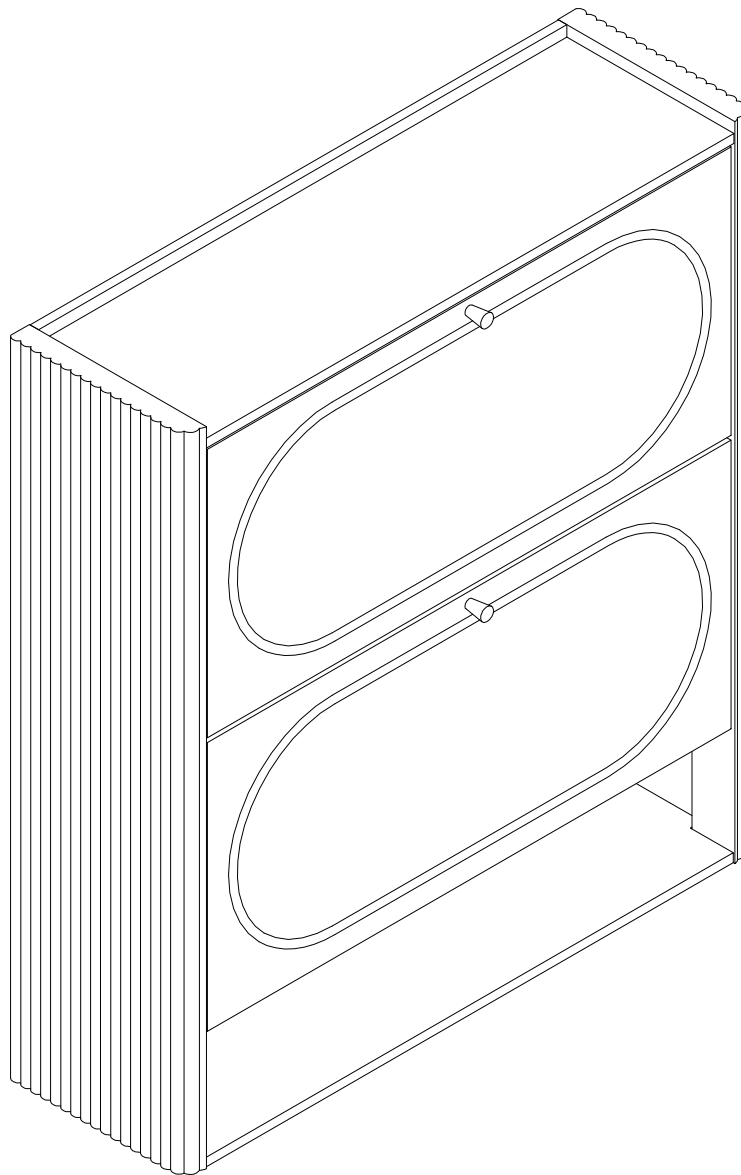


Assembly Instructions

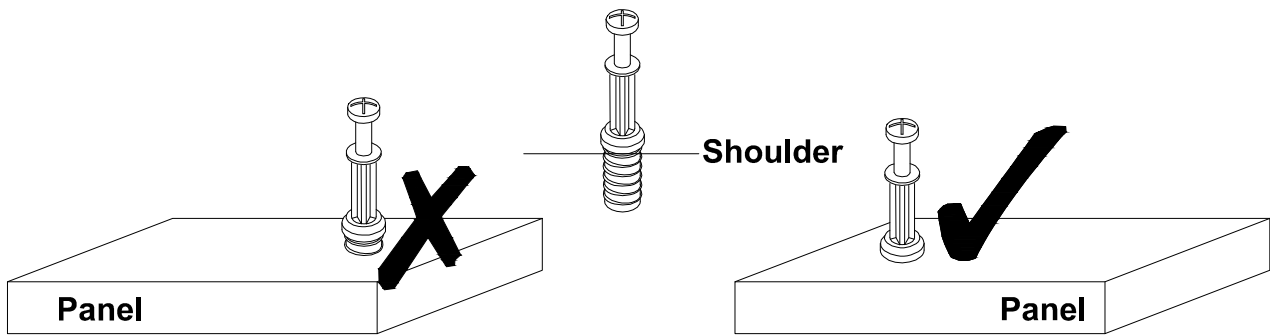


Before Assembly

Tips Before Your Start:

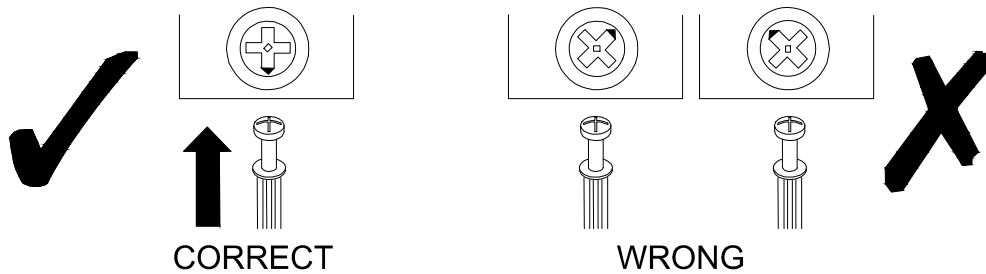
- Remove all wrapping material, including staples & packing straps before you start to assemble.
- DO NOT tighten all screws and bolts until the assembly is completely assembled.
- Keep all hardware parts out of reach of children.

QUICKFIT



Tighten quickfit until shoulder is flush with panel. Do not overtighten or undertighten.

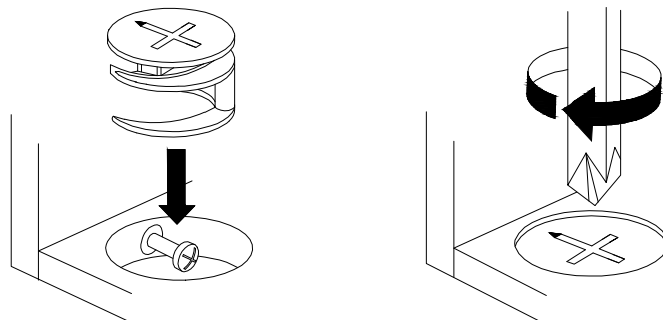
CAM LOCK



When fitting a cam lock, ensure the starting position is correct before inserting the connecting QUI CKFIT




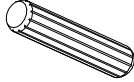
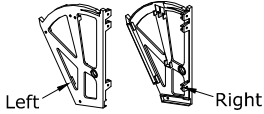
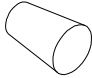
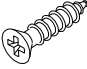
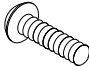

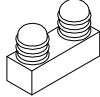
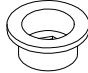

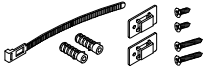
Quickfit head should be in the centre of the cam lock when the two panels are joined.

Cam lock should be inserted before quickfit.

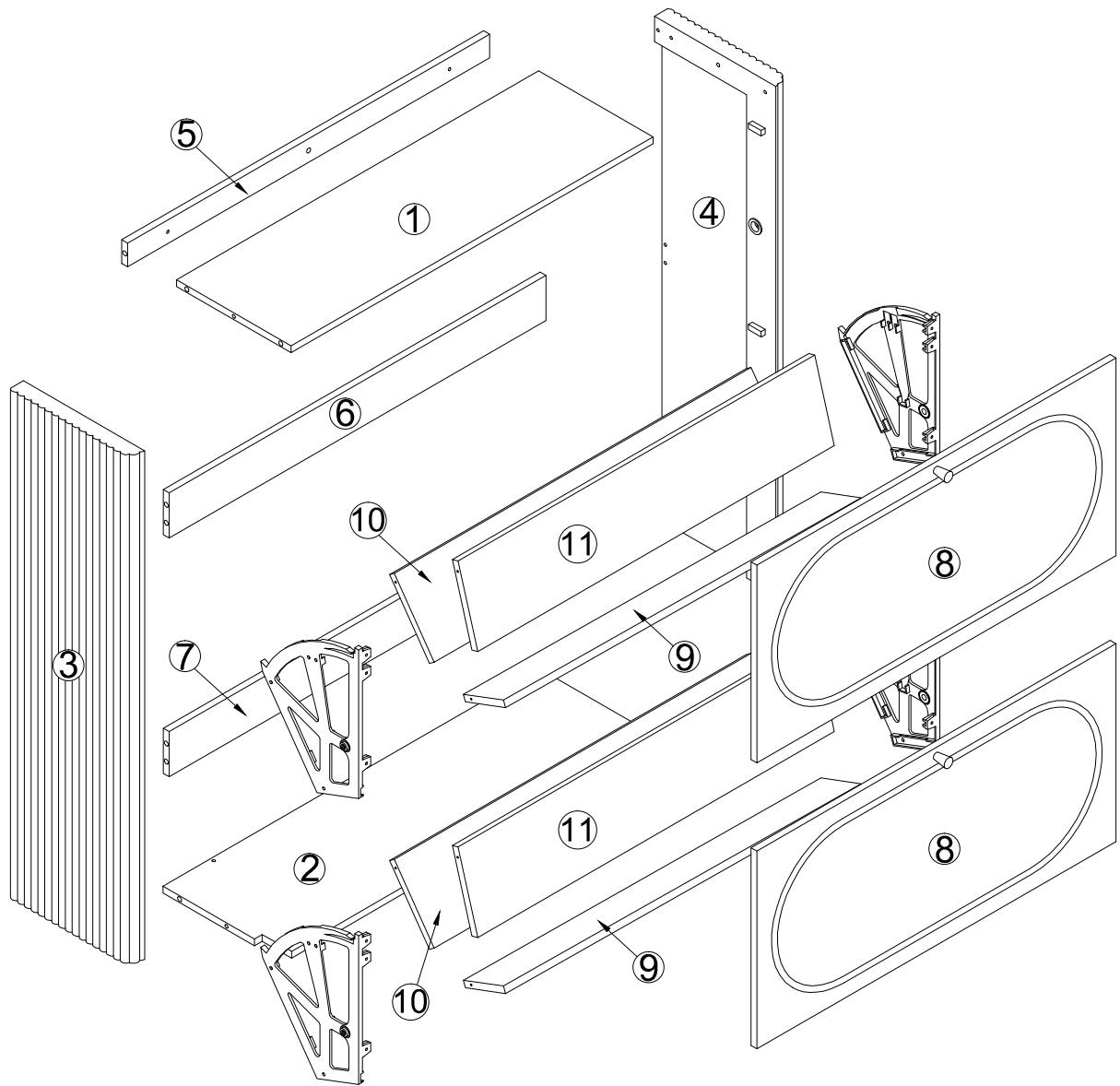


Turn cam lock clockwise to tighten.

Part List

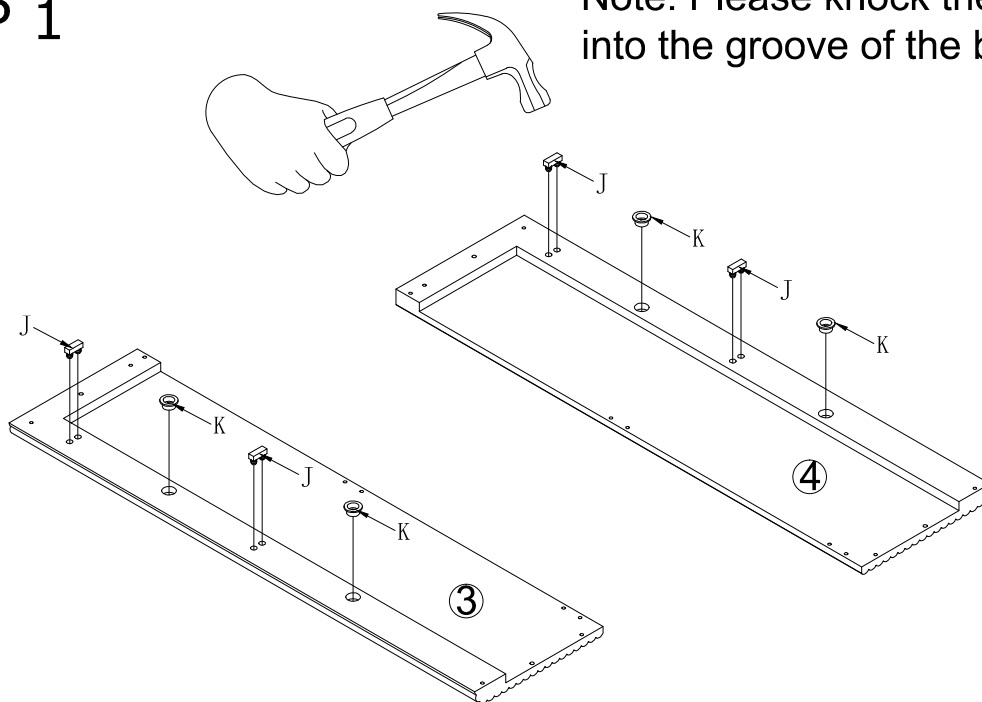
<p>No. A Quantity:22 Pcs Cam Lock Dowel 8*28mm</p> 	<p>No. B Quantity:22 Pcs Cam Ø15</p> 	<p>No. C Quantity:22 Pcs Sticker Ø20</p> 	<p>No. D Quantity:6 Pcs Dowel 6*30mm</p> 
<p>No. E Quantity:2 Sets Flip cover accessories</p> 	<p>No. F Quantity:2 Pcs Handle</p> 	<p>No. G Quantity:28 Pcs Screw M3.5*14mm</p> 	<p>No. H Quantity:2 Pcs Screw M4*16mm</p> 
<p>No. I Quantity:4 Pcs Foot Pad Ø15</p> 	<p>No. J Quantity:4 Pcs Flip cover accessories 26*17*9</p> 	<p>No. K Quantity:4 Pcs Flip cover accessories Ø26*11</p> 	<p>No. L Quantity:4 Pcs Flip cover accessories Ø19*11</p> 
<p>No. M Quantity:1 Sets Anti-falling Parts</p> 			

Product structure



STEP 1

Note: Please knock the accessory into the groove of the board.



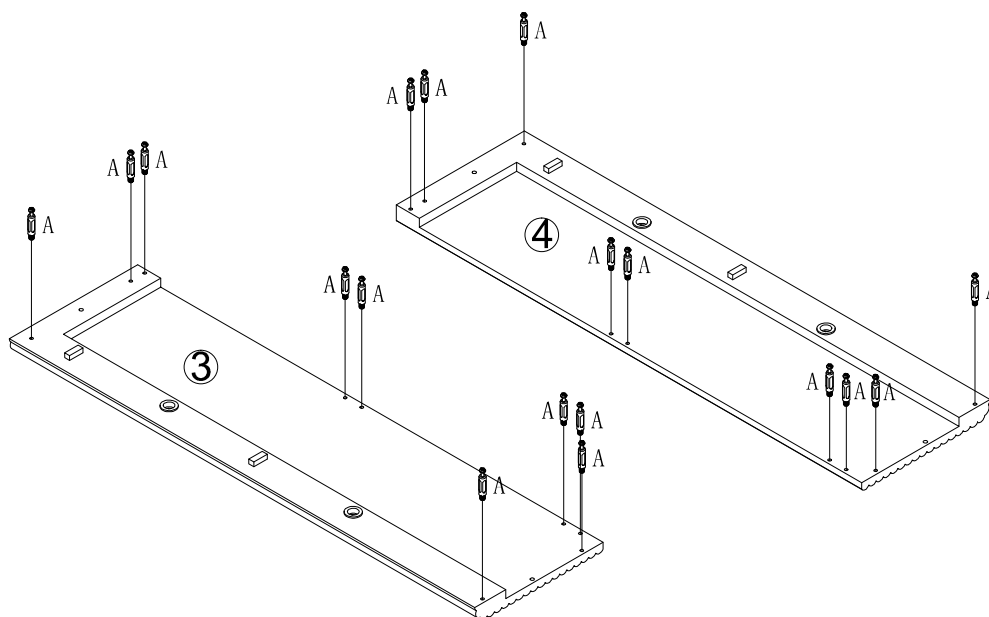
No. J
Quantity: 4 Pcs
26*17*9



No. K
Quantity: 4 Pcs
Ø26*11



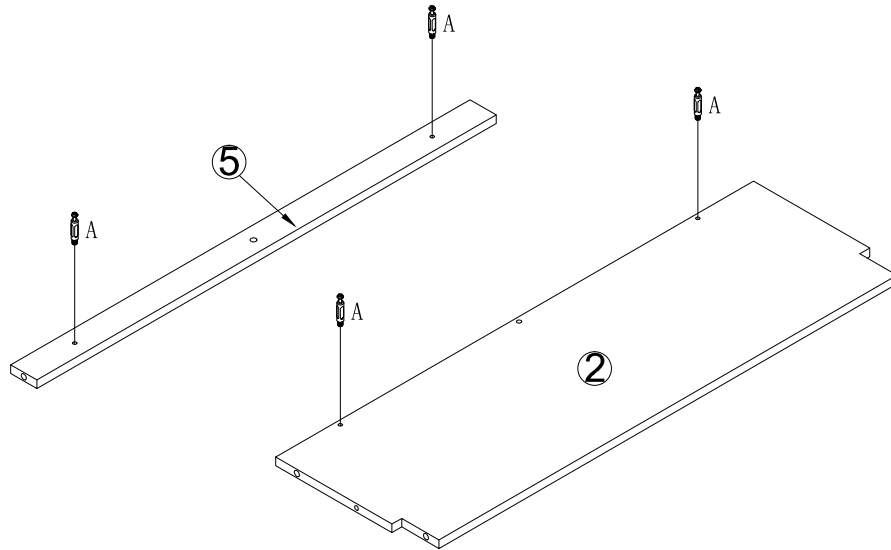
STEP 2



No. A
Quantity: 18 Pcs
8*28mm



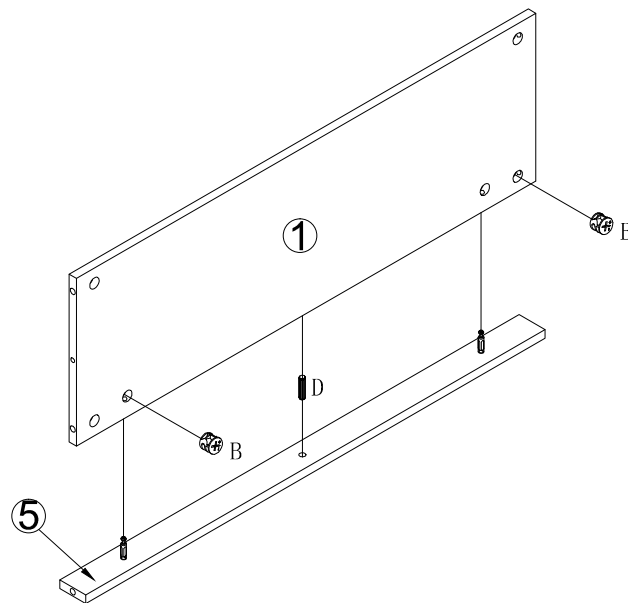
STEP 3



No. A
Quantity: 4 Pcs
8*28mm



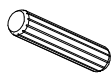
STEP 4



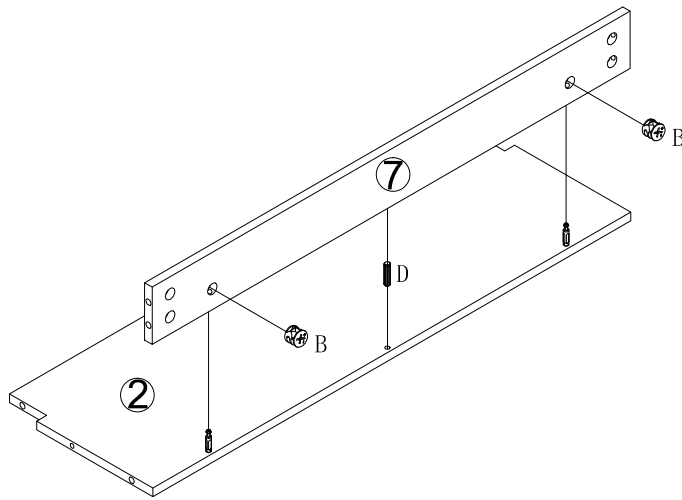
No. B
Quantity: 2 Pcs
Ø15



No. D
Quantity: 1 Pcs
6*30mm



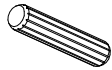
STEP 5



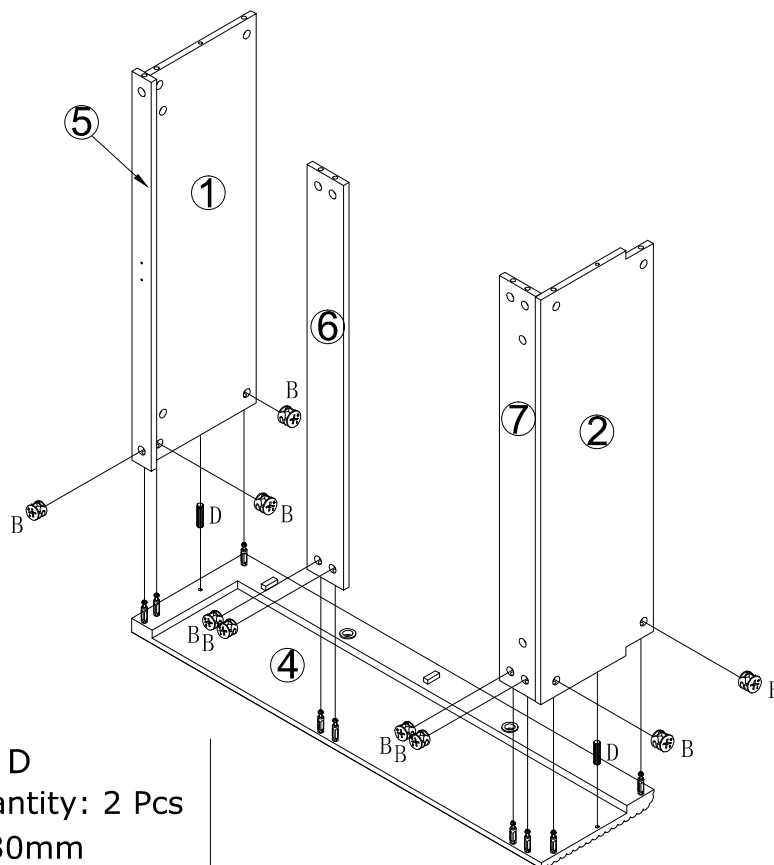
No. B
Quantity: 2 Pcs
Ø15



No. D
Quantity: 1 Pcs
6*30mm



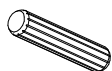
STEP 6



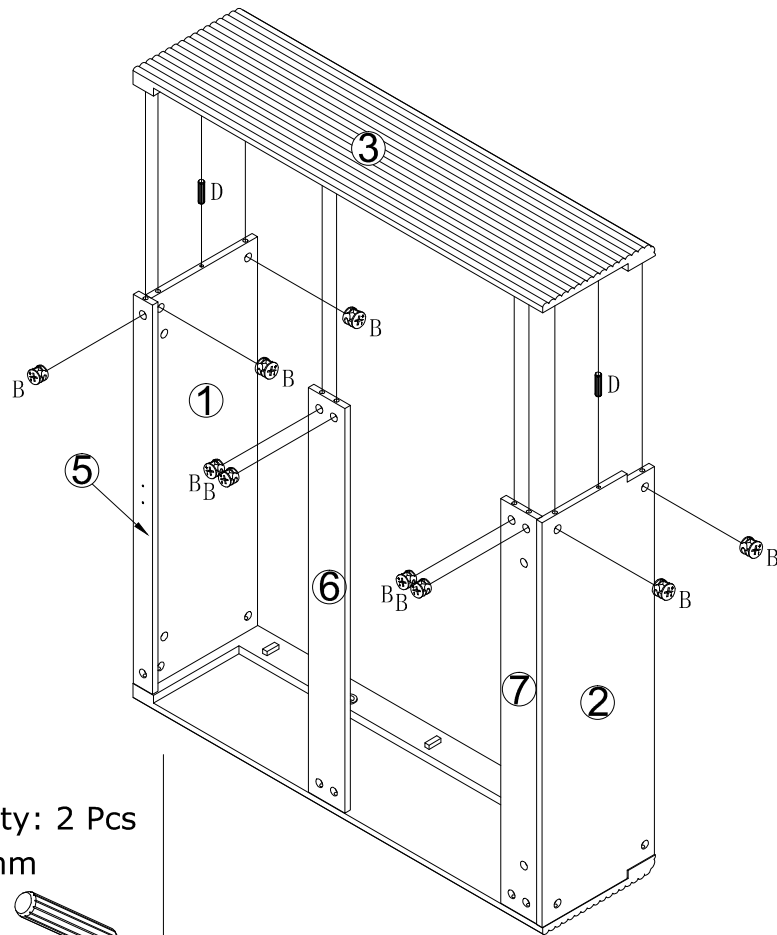
No. B
Quantity: 9 Pcs
Ø15



No. D
Quantity: 2 Pcs
6*30mm



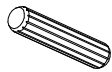
STEP 7



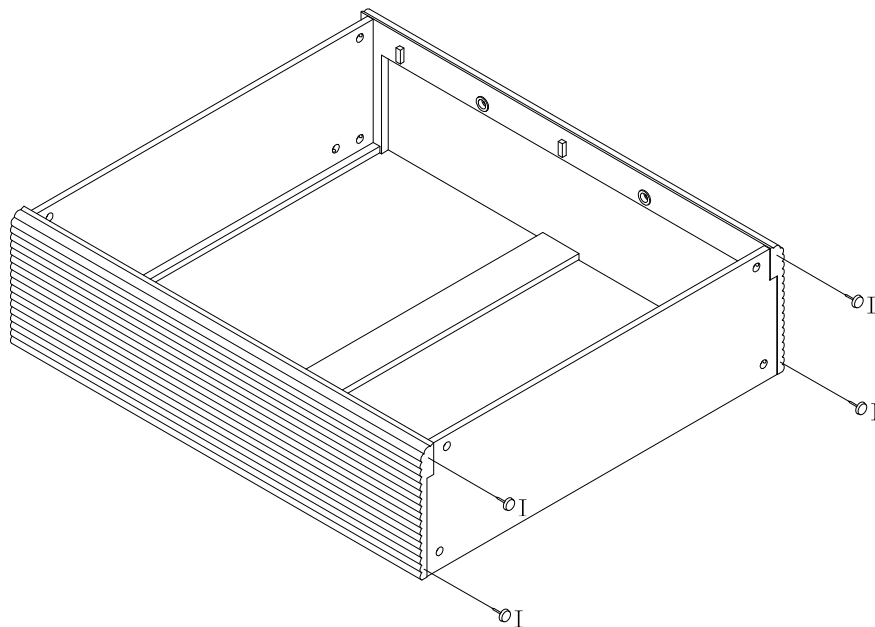
No. B
Quantity: 9 Pcs
Ø15



No. D
Quantity: 2 Pcs
6*30mm



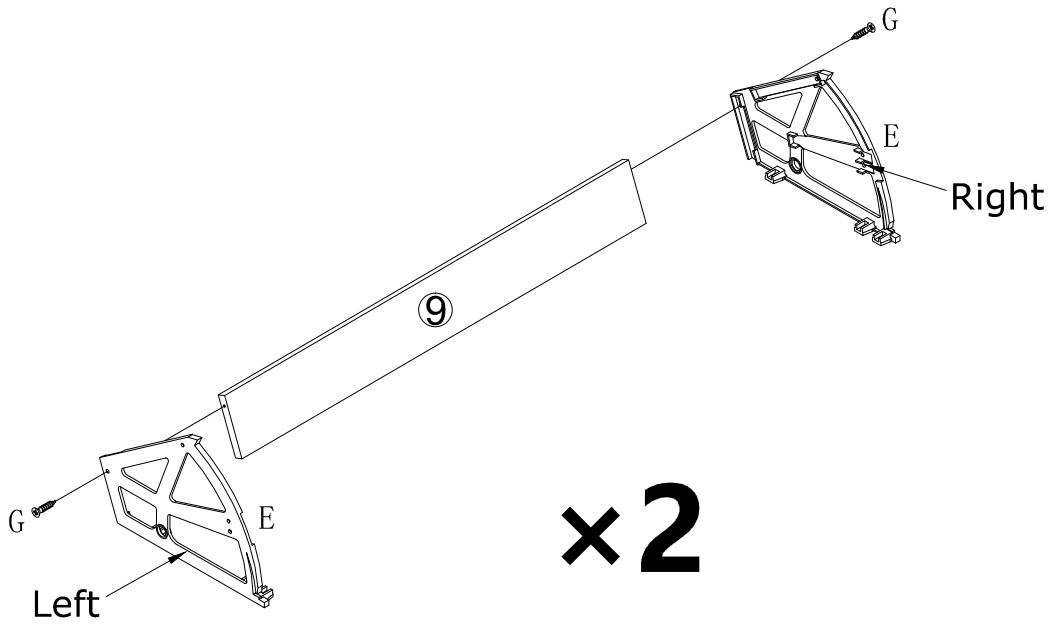
STEP 8



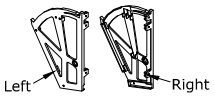
No. I
Quantity: 4 Pcs
Ø15



STEP 9



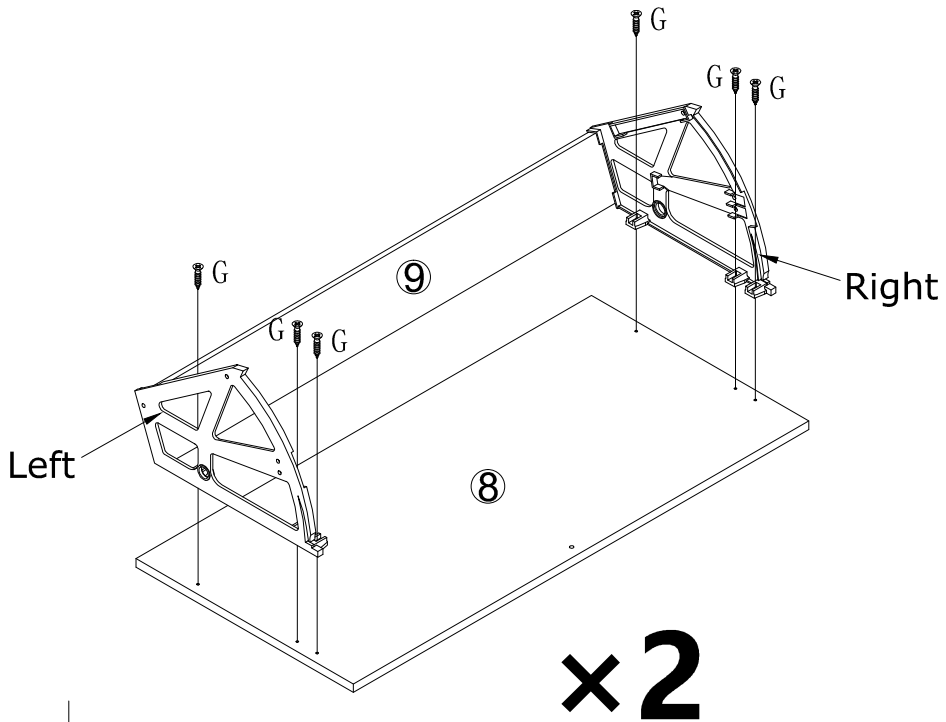
No. E
Quantity: 2 Sets



No. G
Quantity: 4 Pcs
M3.5*14mm



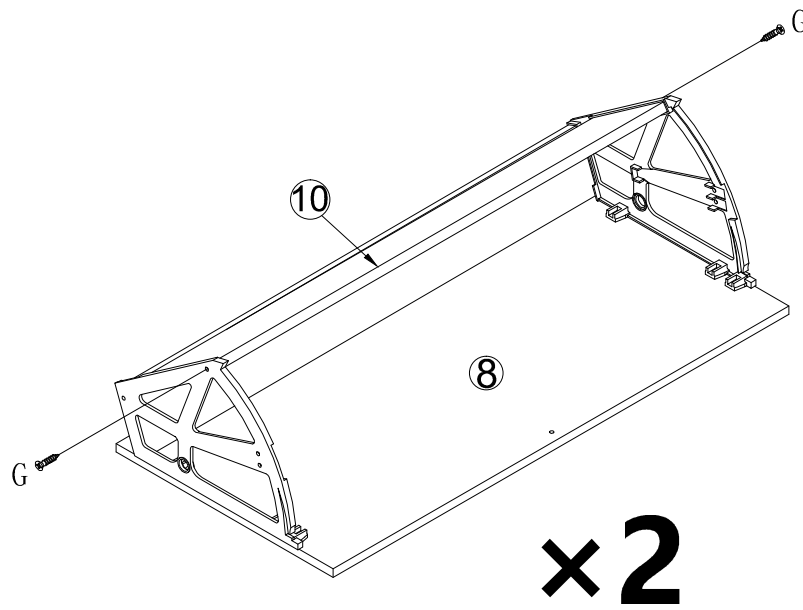
STEP 10



No. G
Quantity: 12 Pcs
M3.5*14mm



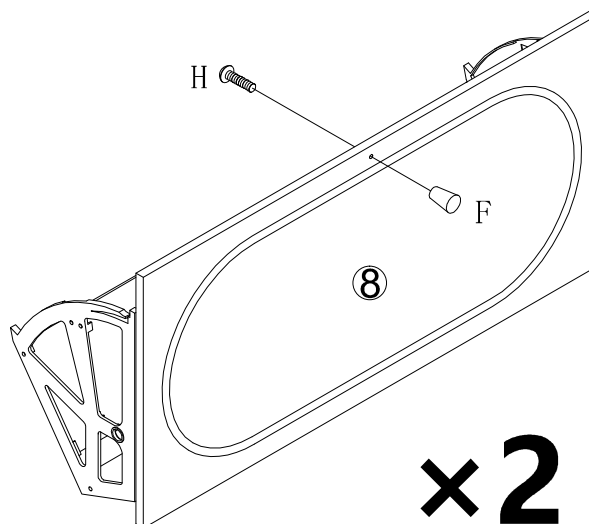
STEP 11



No. G
Quantity: 4 Pcs
M3.5*14mm



STEP 12



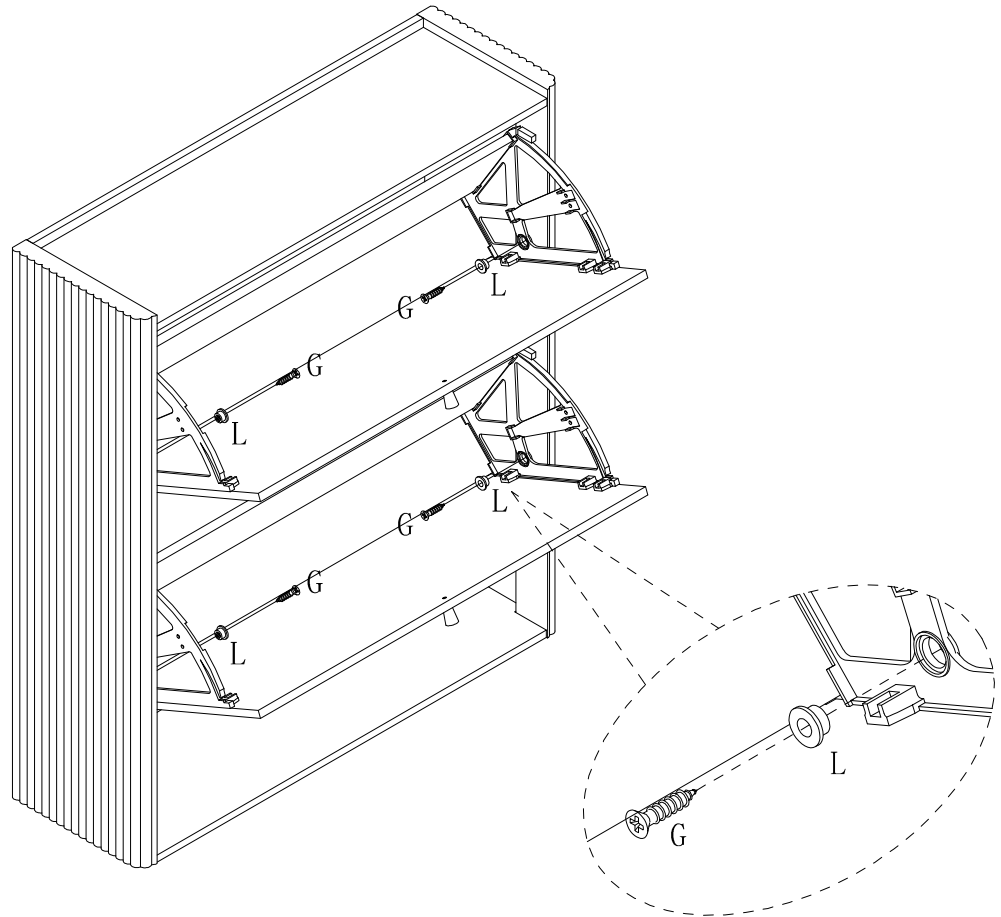
No. F
Quantity: 2 Pcs



No. H
Quantity: 2 Pcs
M4*16mm



STEP 13



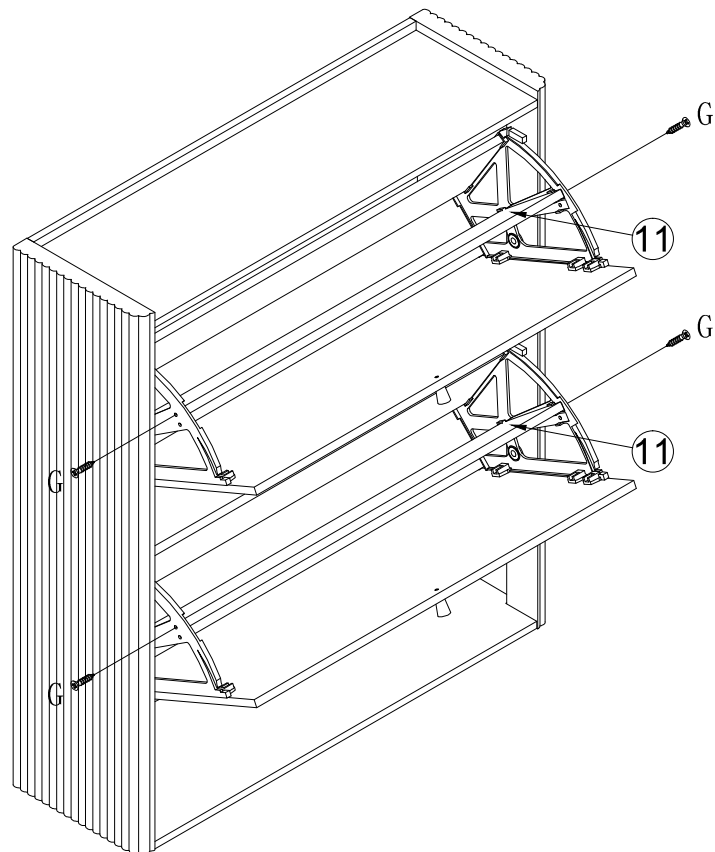
No. L
Quantity: 4 Pcs
Ø19*11



No. G
Quantity: 4 Pcs
M3.5*14mm



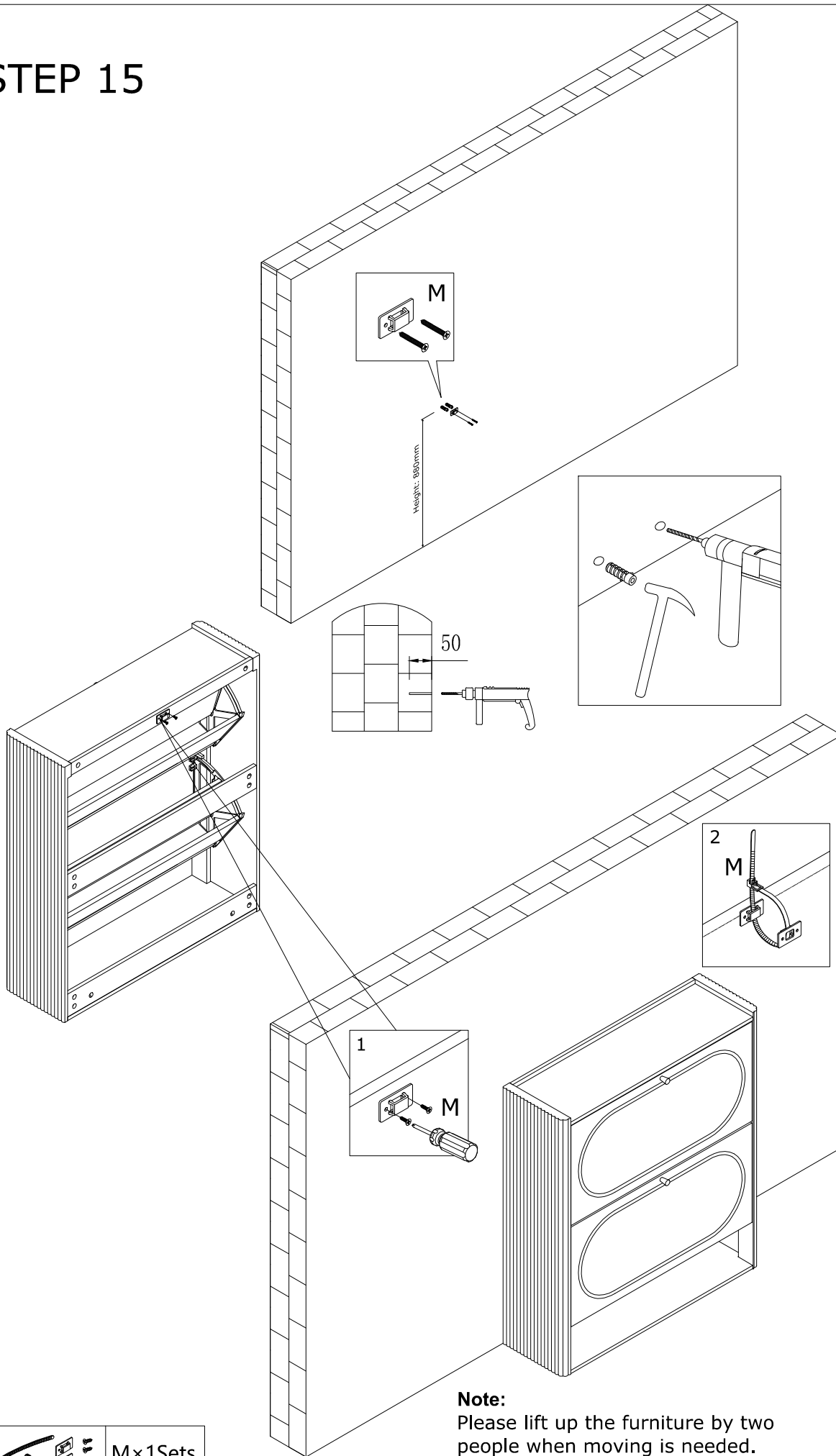
STEP 14



No. G
Quantity: 4 Pcs
M3.5*14mm



STEP 15



Note:

Please lift up the furniture by two people when moving is needed.

Dragging may cause the legs failure. Page 11 of 11

