

## ASSEMBLY INSTRUCTIONS



**CAUTION**

- ◆ Inspect the wire insulation for any cuts, abrasions, or exposed copper that may have resulted during shipping. If there is a defect in the wire, do not attempt installation.
- ◆ Before starting installation of this fixture or removal of a previous fixture, disconnect the power by turning off the circuit breaker or by removing the fuse at the fuse box.

## TOOLS REQUIRED



**Ladder**

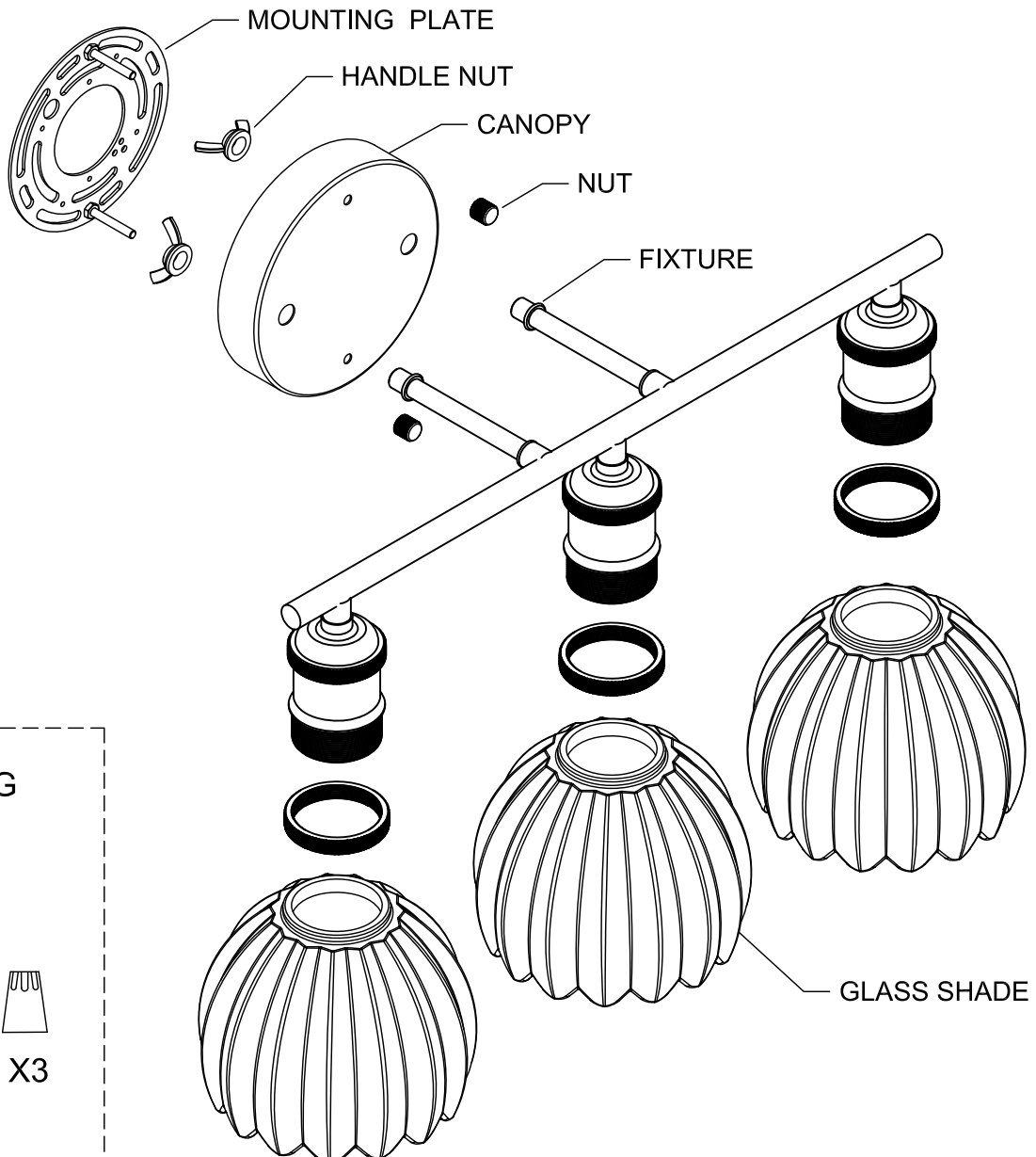


**Safety  
glasses**



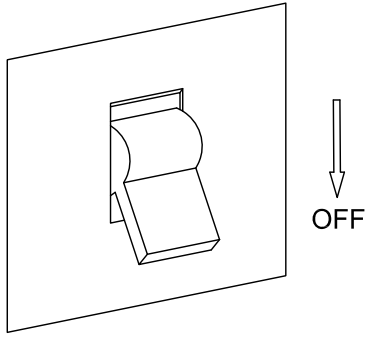
**Phillips  
screwdriver**

## PARTS SHOWN MAY DIFFER SLIGHTLY PER LIGHT FIXTURE



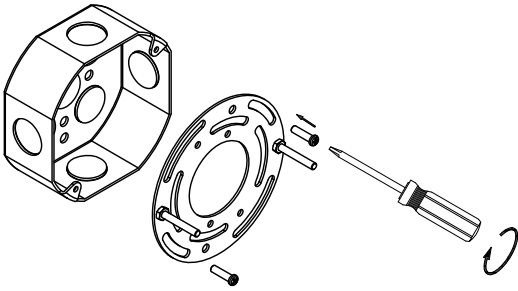
### Step 1

Power off



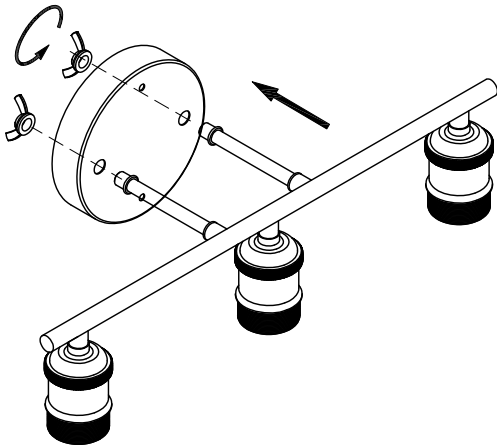
### Step 2

Use the mounting screws to attach the mounting



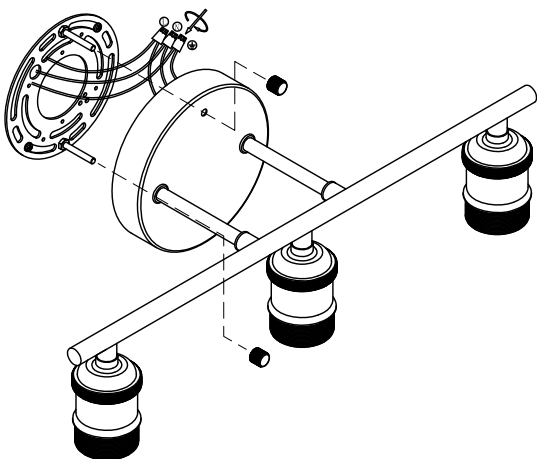
### Step 3

Attach the wall sconce to the canopy with the handle nut.



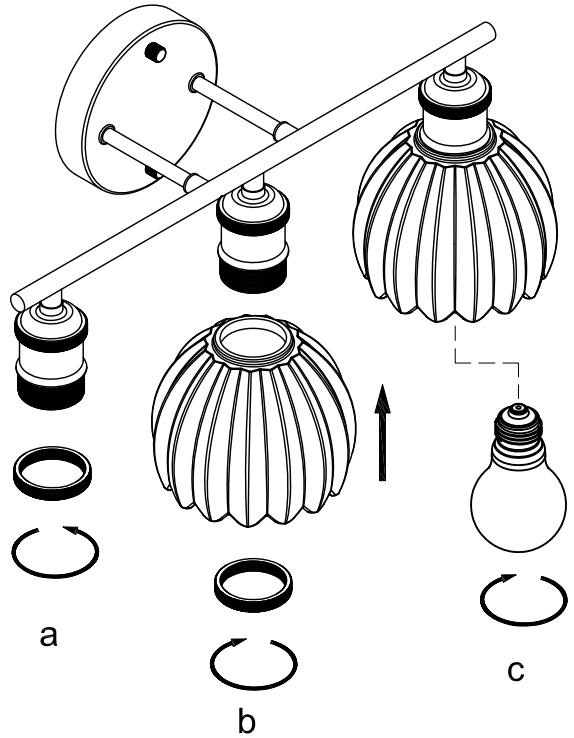
### Step 4

Connect the wire.  
Attach the fixture to the mounting plate with the nut



### STEP 5

- a. Remove the socket ring from the fixture.
- b. Attach the glass shade onto fixture by socket ring.
- c. Install the bulb.



SCONCE

