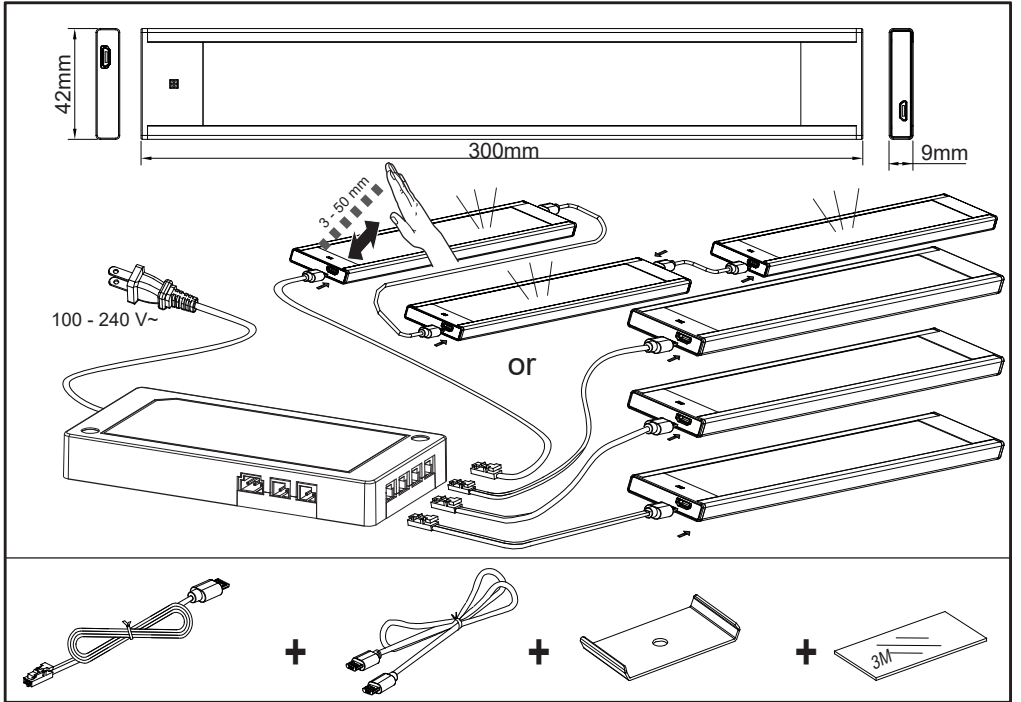


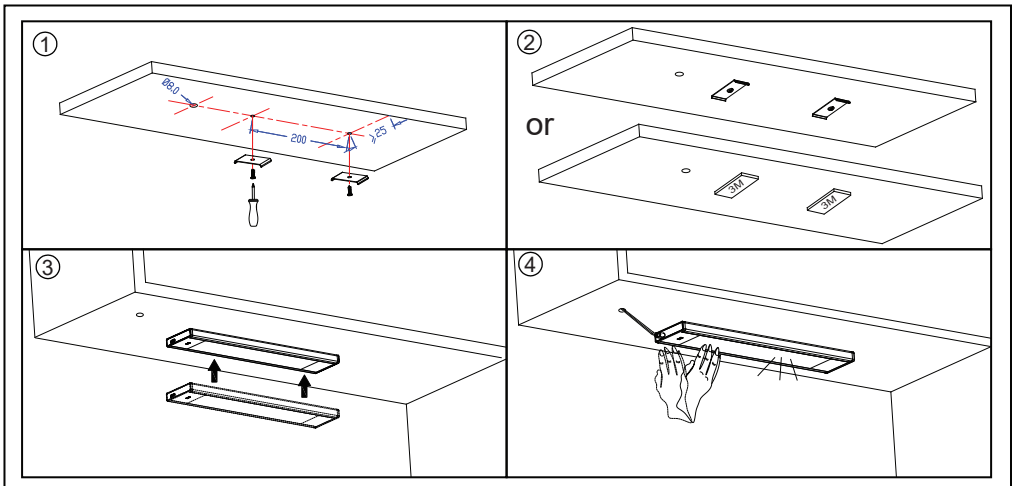


Model	Input	CCT	CRI	Power	Dimension	Installation
HS46	DC12V	4000K	80+	3.3W	42x9x300mm	Clip mounting and 3M adhesive mounting

### 1.Dimension



### 2.Installation



RoHS