



# ASSEMBLY INSTRUCTIONS



*Fine Furniture for every stage of life*

**BAR TABLE**

---

# ASSEMBLY INSTRUCTIONS

## ASSEMBLY TIPS:

1. Remove hardware from box and sort by size.
2. Please check to see that all hardware and parts are present prior to start of assembly.
3. Please follow attached instructions in the same sequence as numbered to assure fast & easy assembly.



## WARNING!

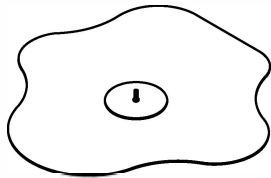
1. Don't attempt to repair or modify parts that are broken or defective. Please contact the store immediately.
2. This product is for home use only and not intended for commercial establishments.

ASSEMBLY TIME | 20 MINUTES

## PARTS IDENTIFICATION

### B1 (BOX 1)

A TABLE TOP



1PC

B

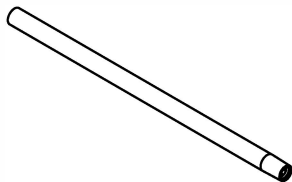
BASE



1PC

### B2 (BOX 2)

C POST



1PC

# ASSEMBLY INSTRUCTIONS

Z

## HARDWARE IDENTIFICATION

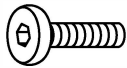
1 ALLEN WRENCH  
(4mm) 1PC



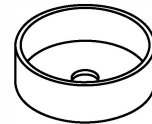
3 WASHER 1PC



2 BOLT  
(Ø5/16" x 38mm) 1PC



4 BOTTOM COVER 1PC

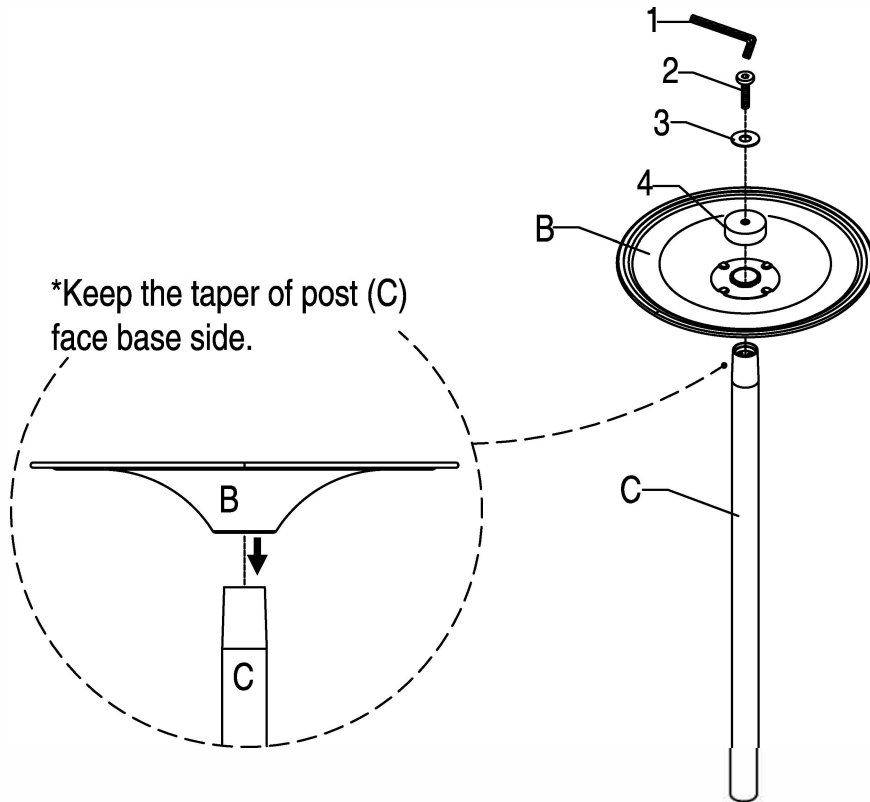


**NOTE:**

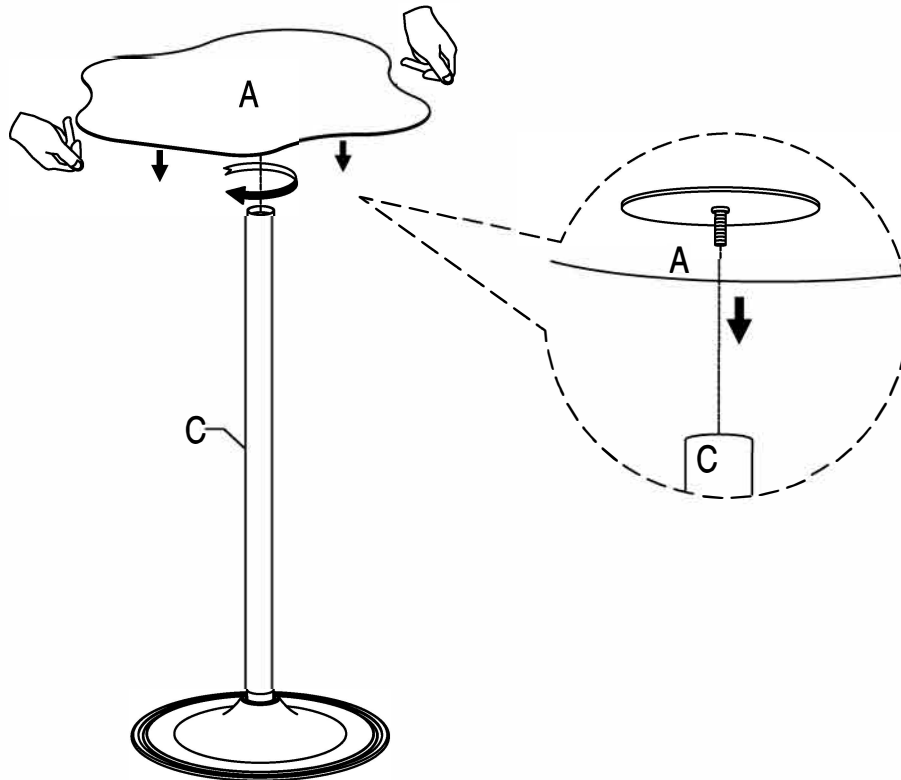
Hardware pack is located in 182230B1.

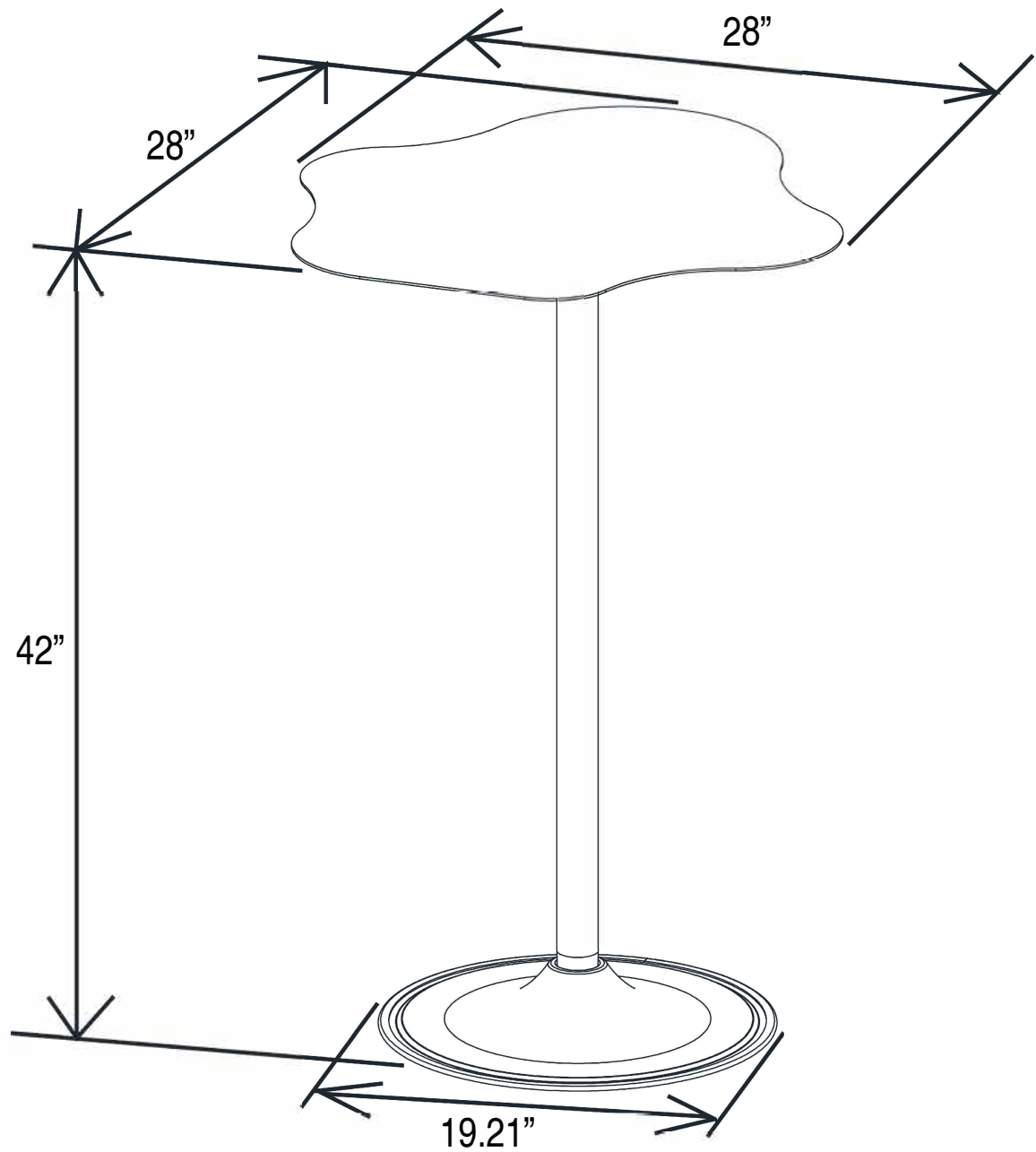
# ASSEMBLY INSTRUCTIONS

## STEP 1



## STEP 2





**NOTE:** Dimension tolerance  $\pm 5\%$