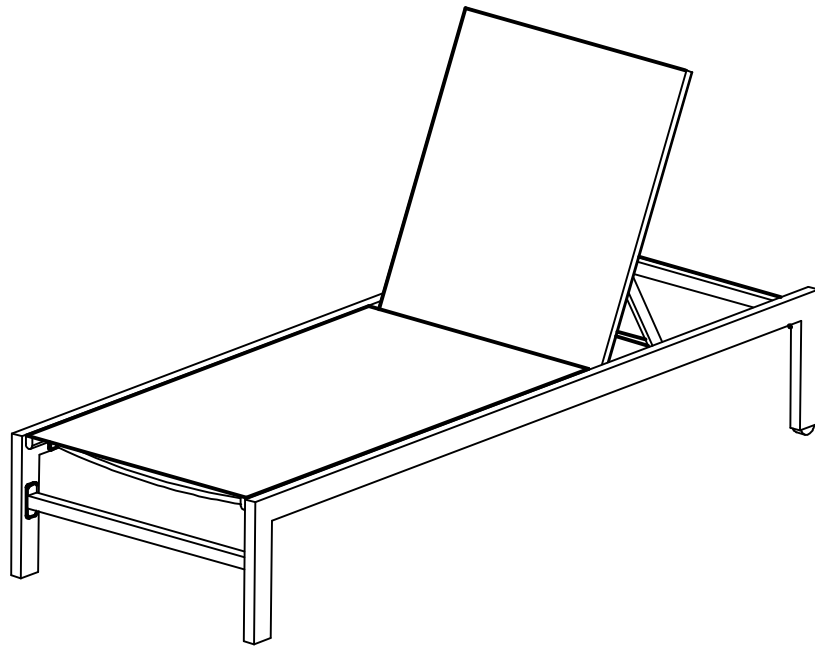


Chaise Lounge



Read the instructions before use of this product.

Please keep this instruction manual for future reference.

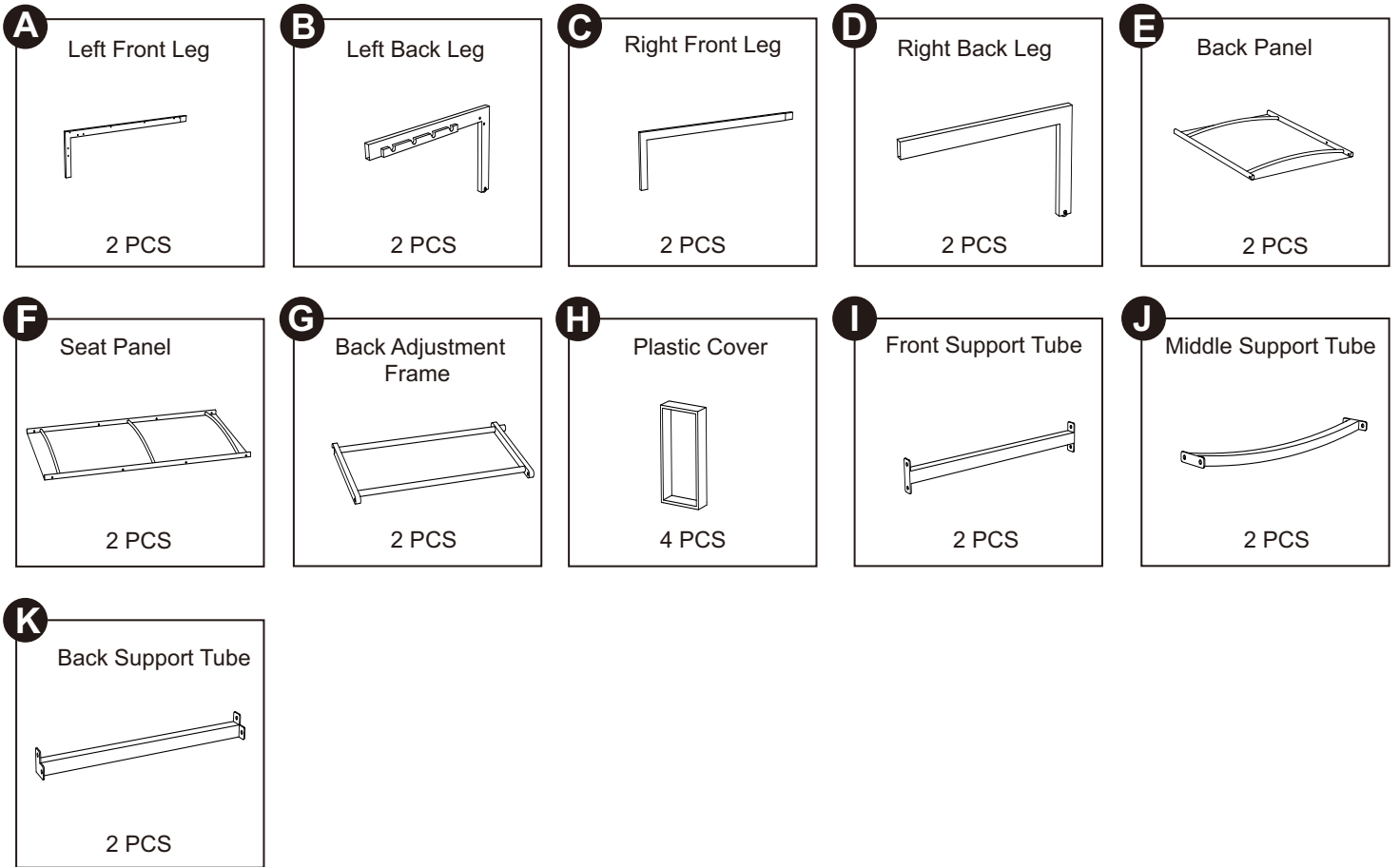
⚠ NOTICE

- Please keep children away during assembly. This item contains small parts that can be dangerous for children. Children should always be under direct adult supervision while using this product.
- Do not discard any of the packaging until you have checked that you have all of the parts and fittings required.
- Carefully remove the contents from the package. If any parts are missing, broken, damaged, do not attempt to use the product until they have been obtained.
- Make sure that each bolt needed for all steps matches the corresponding figure ensure proper assembly.
- Please do not exceed the weight limitations of this item.
- Do not stand on or use any part of this item as a step ladder.
- Firmly secure all bolts, screws and knobs before use.
- Be aware that some parts are heavy and have sharp edges.
- Do not use or store this item in the proximity of open flame or flammable/combustible chemicals.

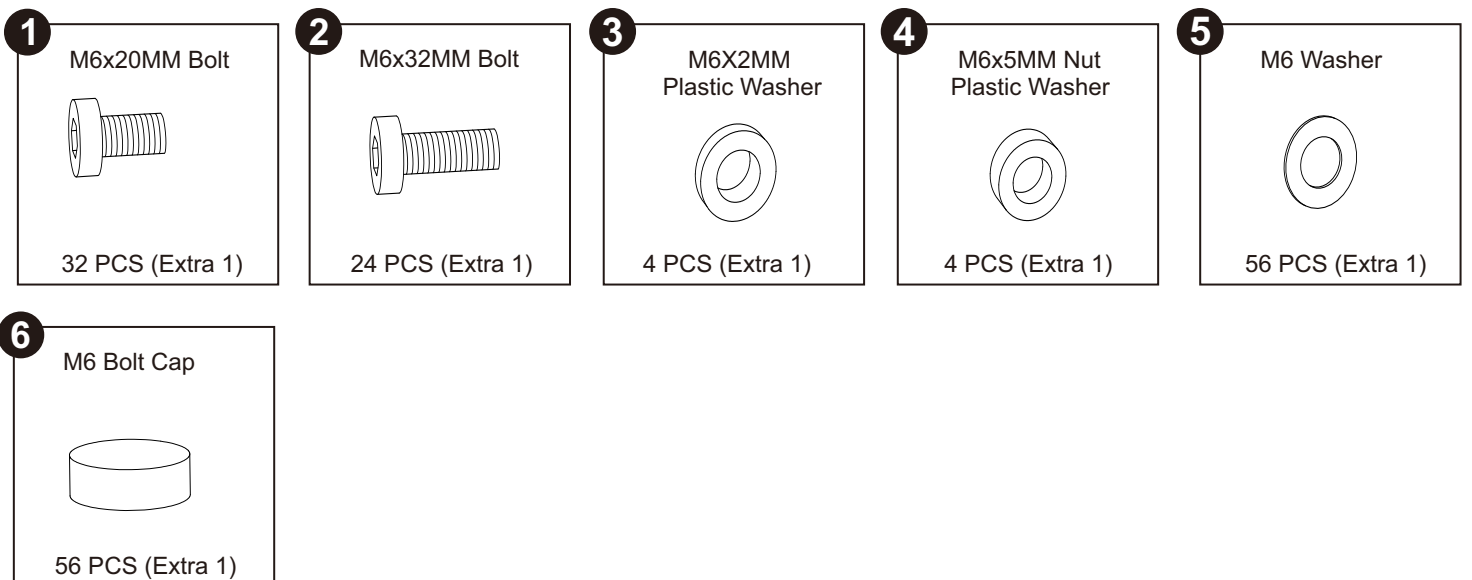
CLEANING AND MAINTENANCE

- Clean frame with mild soapy water, rinse thoroughly. Dry frame parts completely. Do not use bleach, acid, or other solvents on the fabric and metal parts.
- If outdoor furniture is caught during a sudden rain storm, please make sure to drain any water that may have accumulated inside the frame and dry completely.
- We recommend the use of furniture covers to protect when not in use, and store properly during inclement weather and the winter/rainy seasons.
- Inspect and tighten all bolts on a regular basis to ensure proper performance and safety.
- In order to prolong the life and beauty of your outdoor furniture, we recommend storing it in a dry and protective area during off season periods.

PARTS



HARDWARE



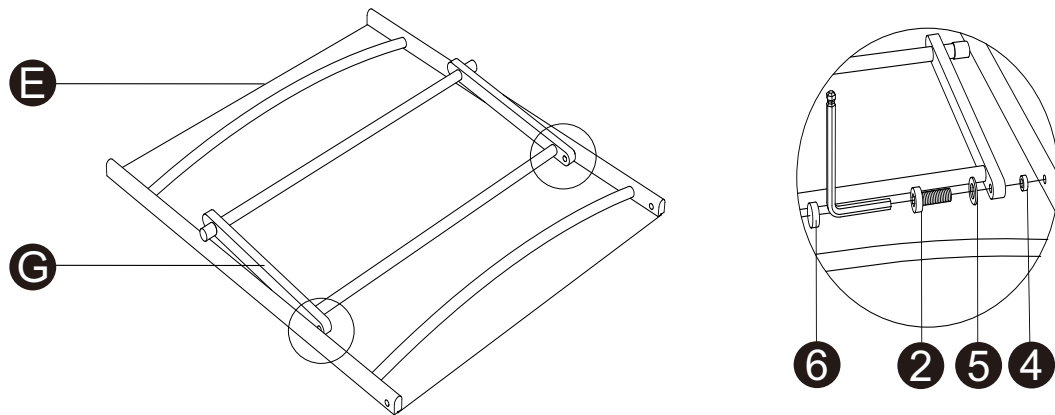
TOOLS REQUIRED



Allen Wrench 1 PC

PARTS

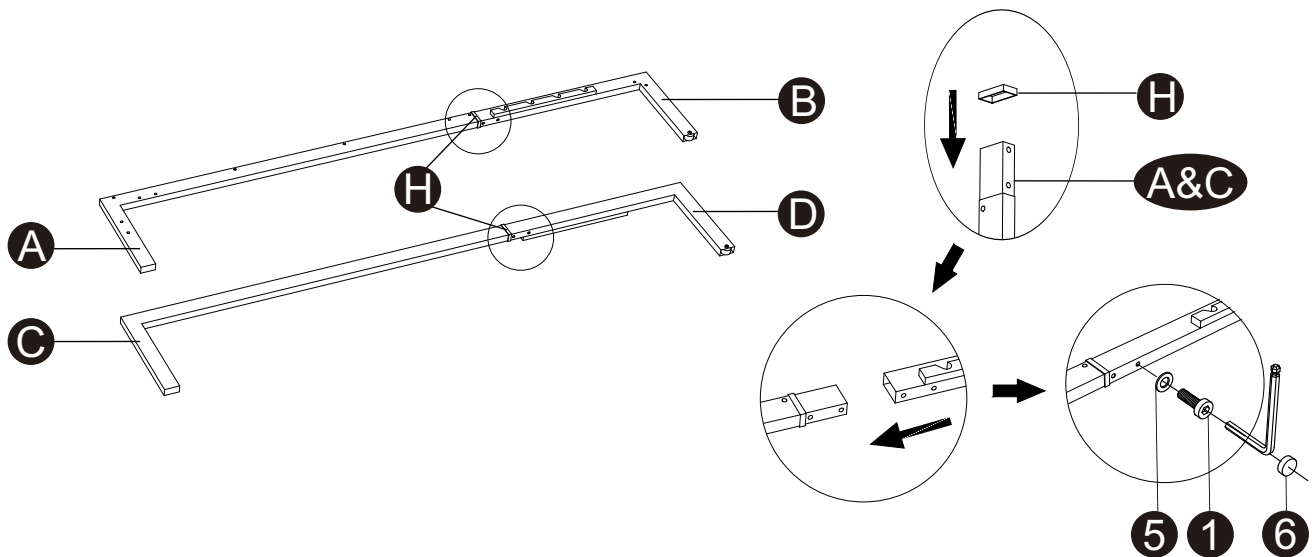
1



Attach the back adjustment frame (G) to back panel (E) using bolts (2), plastic washers (4&5), allen wrench and bolt caps (6).

NOTE: Please do not fully tighten bolts until unit is fully assembled.

2

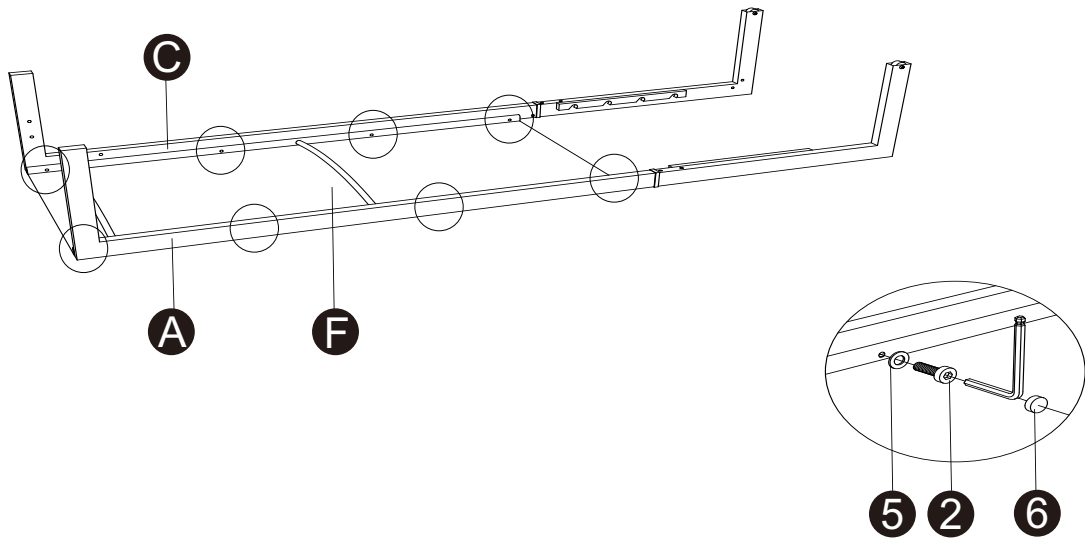


Attach front legs (A&C) to back legs (B&D) using plastic covers (H), washers (5), bolts (1), allen wrench and bolt caps (6).

NOTE: Please do not fully tighten bolts until unit is fully assembled.

PARTS

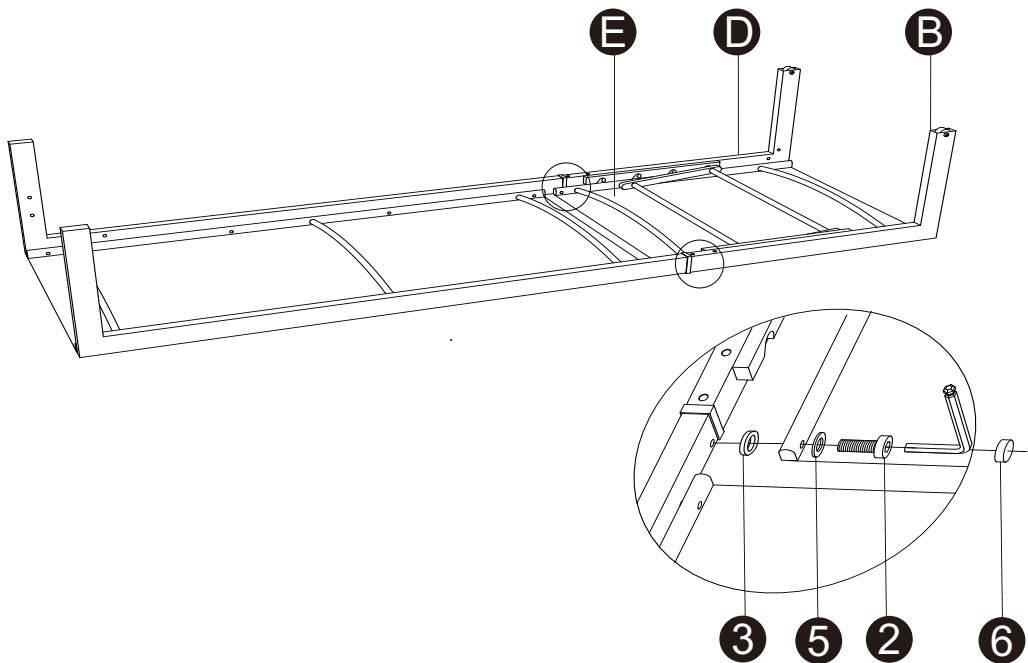
3



Attach the front legs (A&C) to seat panel using washers (5), bolts (2), allen wrench and bolt caps (6).

NOTE: Please do not fully tighten bolts until unit is fully assembled.

4

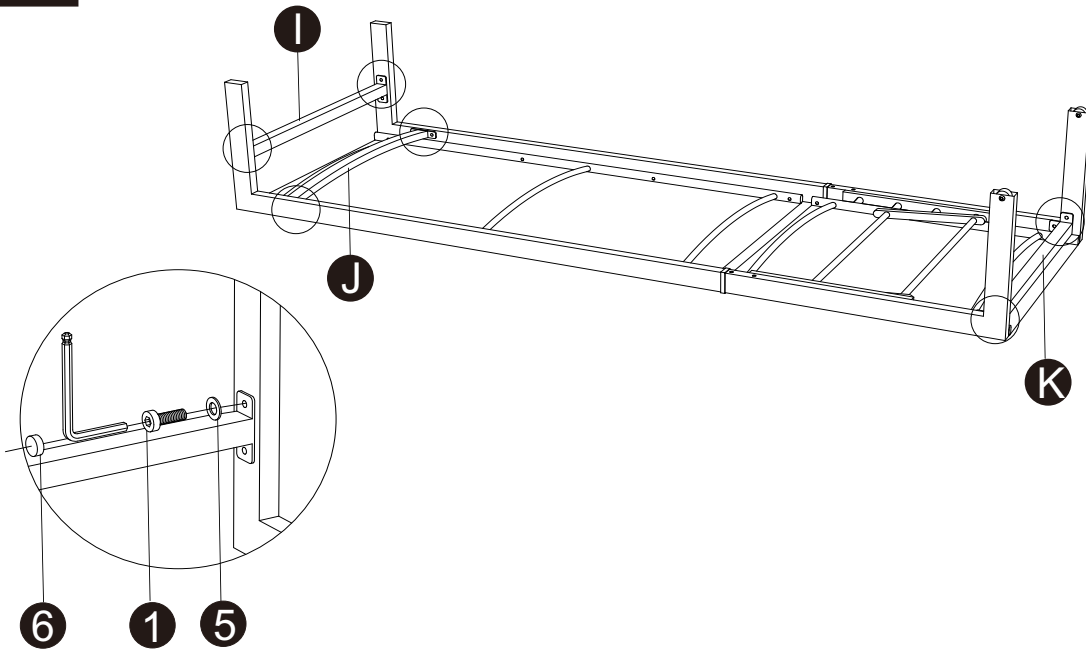


Attach the back panel (E) to back legs (B&D) using plastic washers (3), washers (5), bolts (2), allen wrench and bolt caps (6)

NOTE: Please do not fully tighten bolts until unit is fully assembled.

PARTS

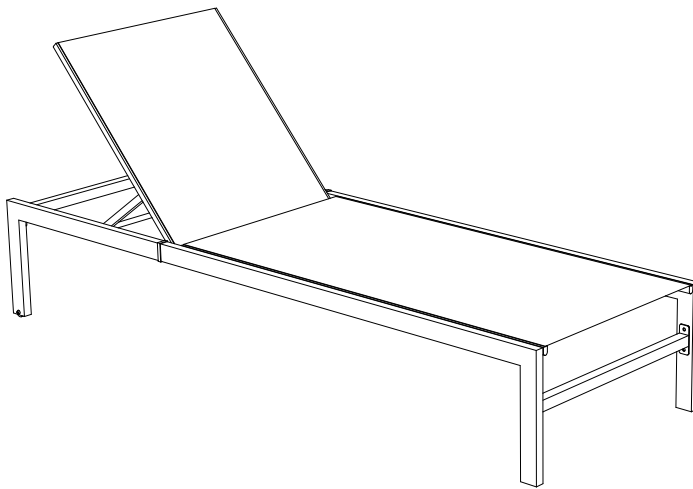
5



Attach the front support tube (I), Middle support tube (J) and back support tube (K) to legs (A,B,C&D) using washers (5), bolts (1), allen wrench and plastic caps (6).

NOTE: Please fully tighten all bolts at this time.

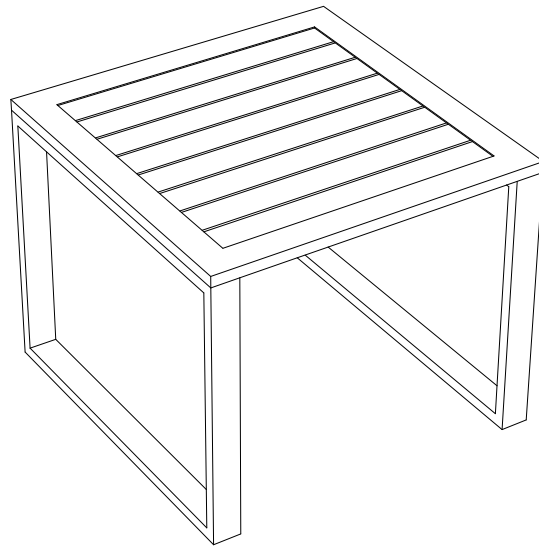
6



Carefully turn assembled unit upright on a flat surface.
Repeat step 1-6 assembled remaining chaise lounge.

ENJOY YOUR PRODUCT NOW!

Metal Side Table



Read the instructions before use of this product.

Please keep this instruction manual for future reference.

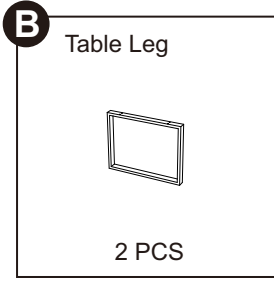
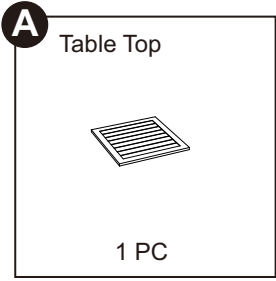
! NOTICE

- Please keep children away during assembly. This item contains small parts that can be dangerous for children. Children should always be under direct adult supervision while using this product.
- Do not discard any of the packaging until you have checked that you have all of the parts and fittings required.
- Carefully remove the contents from the package. If any parts are missing, broken, damaged, do not attempt to use the product until they have been obtained.
- Make sure that each bolt needed for all steps matches the corresponding figure ensure proper assembly.
- Please do not exceed the weight limitations of this item.
- Do not stand on or use any part of this item as a step ladder.
- Firmly secure all bolts, screws and knobs before use.
- Be aware that some parts are heavy and have sharp edges.
- Do not use or store this item in the proximity of open flame or flammable/combustible chemicals.

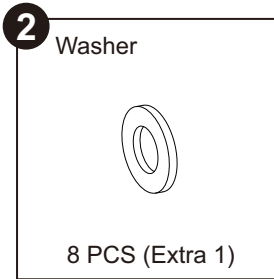
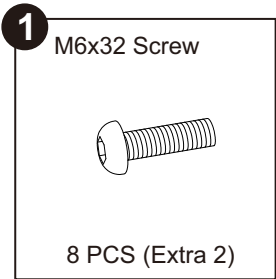
CLEANING AND MAINTENANCE

- Clean frame with mild soapy water, rinse thoroughly. Dry frame parts completely. Do not use bleach, acid, or other solvents on the fabric and metal parts.
- If outdoor furniture is caught during a sudden rain storm, please make sure to drain any water that may have accumulated inside the frame and dry completely.
- We recommend the use of furniture covers to protect when not in use, and store properly during inclement weather and the winter/rainy seasons.
- Inspect and tighten all bolts on a regular basis to ensure proper performance and safety.
- In order to prolong the life and beauty of your outdoor furniture, we recommend storing it in a dry and protective area during off season periods.

PARTS



HARDWARE



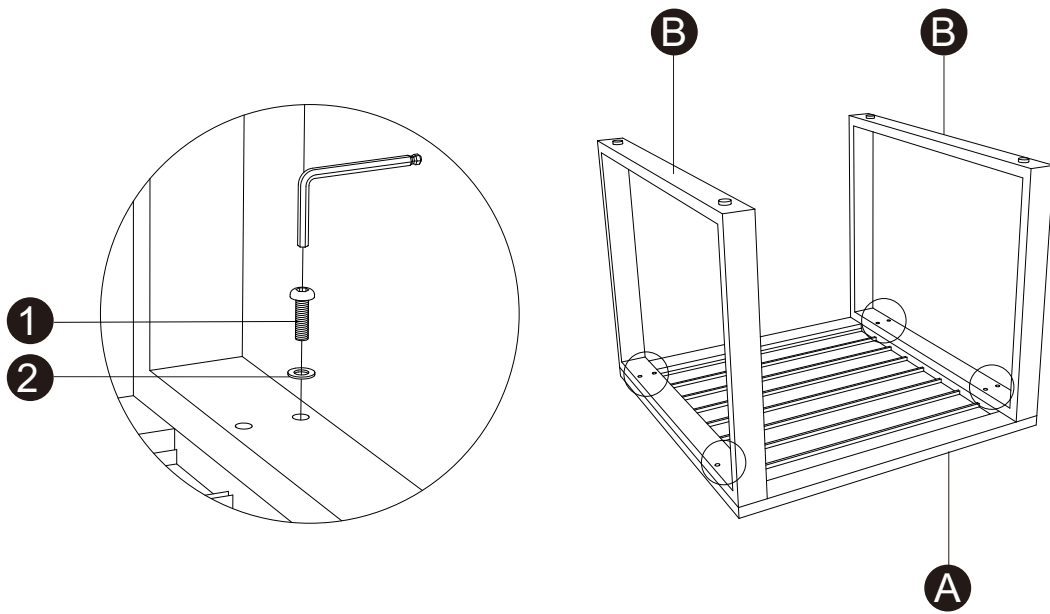
TOOLS REQUIRED



Allen Wrench
1PC

PRODUCT ASSEMBLY

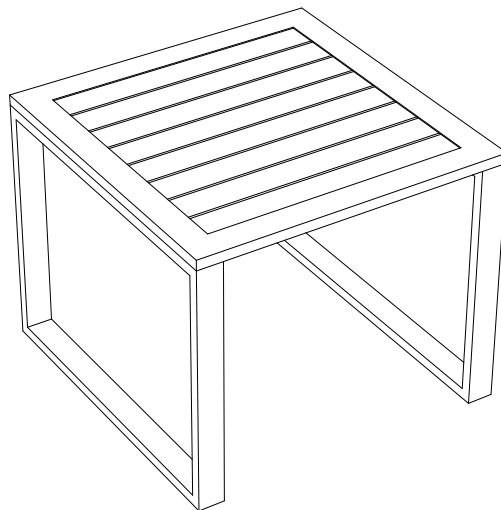
1



Attach table legs (B) to table top (A) using screws (1), washers (2) and allen wrench.

NOTE: Please fully tighten all bolts at this time.

2



Carefully turn assembled unit upright on a flat surface.

ENJOY YOUR PRODUCT NOW!