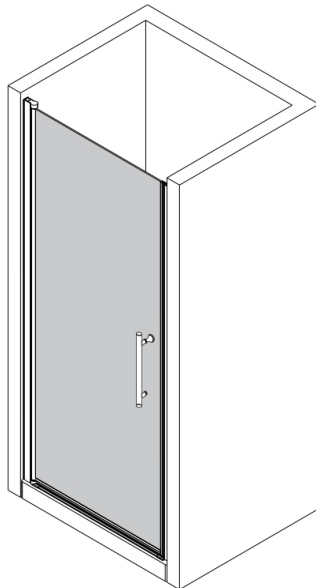


Assembly Instruction

(The instruction is only for installation schematic, subject to the actual products)

**Available with 26"x68"H, 28"x68"H, 30"x68"H...
28"x72"H, 30"x72"H, 32"x72"H, 34"x72"H, 36"x72"H...
28"x75"H, 30"x75"H, 32"x75"H, 34"x75"H, 36"x75"H...
All sizes AM401, AM402, AM403, AM404, AM405...
Pivot Single Shower Door**

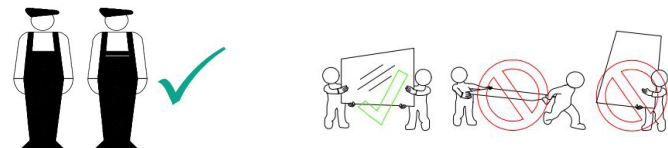


SAFETY INFORMATION CAUTION:

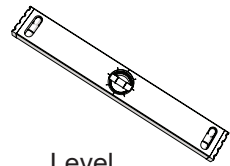
Please carefully read the following important safety information before handling or installing this shower door. There are risks of serious injury while handling this product. To minimize these risks. Please note:

- * Always wear safety glasses and gloves while handling.
- * Always follow the installation instructions.
- * Do NOT cut or modify the tempered glass as it will shatter if cut.
- * Inspect glass for damage before installation.
- * Make sure to have a gaskets(we offered) in either side of the glass door, to make sure the metal is not touching the tempered glass.
- * Extreme caution should be taken while handling the glass during installation as the tempered glass may shatter if in contact with a hard surface.
- * Carefully remove product from packaging and keep packaging until installations complete.
- * Inspect all parts for damage or missing; if there is any damage or part missing to the unit prior to installation, please contact customer service.
- * Cover the drain with tape to prevent the loss of small parts. The shower base and finished walls should be installed before beginning the shower door installation.
- * During the installation, protect the shower floor with a drop cloth to avoid damage.
- * This product should be installed by two people who are familiar with construction requirements. Professional installation is recommended.

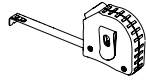
NOTE: Two professional people should perform this installation.



Suggest to keep this installation for future reference.



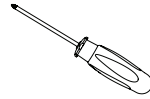
Level



Tape Measure



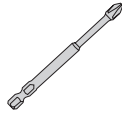
Pencil



Phillips Screwdriver



Screw Gun or Impact Driver



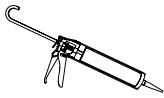
Extended #2 Driver Bit



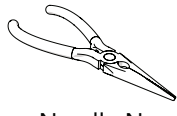
Drill



Safety Glasses



Caulk gun with clear, mold-resistant Silicone



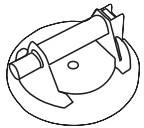
Needle Nose Pliers



Drill Bit (3mm)



Drill Bit (6mm)



Professional-grade Glass suction cup



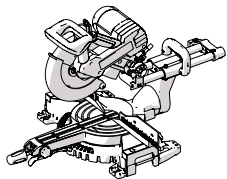
Crescent Wrench



Rubber Hammer



Metal File



Compound Miter Saw with Blade for Cutting Metal



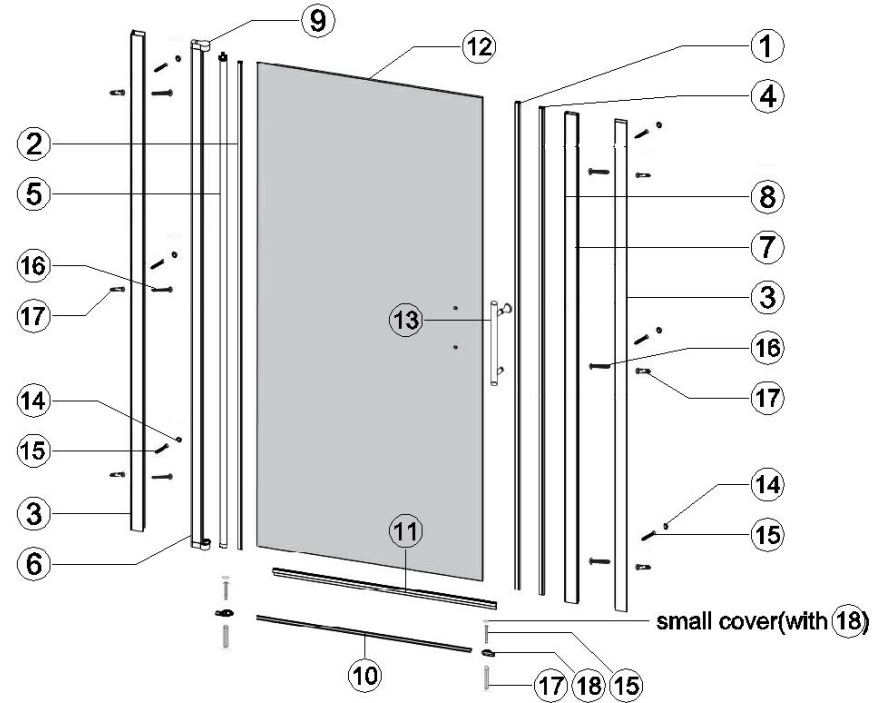
Razor Knife



Work Gloves

Tools

Parts breakdown



NO.	Name	Picture	Qty	NO.	Name	Picture	Qty	NO.	Name	Picture	Qty
1	U Rubber A		1	7	Magnetic Profile		1	13	Handle		1
2	U Rubber B		1	8	Magnetic Strip		1	14	Decorative Cover		6
3	Wall Jamb		2	9	Pivot Block		2	15	ST4x20		10
4	Side Profile		1	10	Lower Profile		1	16	ST4x30		8
5	Cylinder Profile		1	11	F Water Vinyl		1	17	Φ6 Wall Anchor		8
6	Pivot Profile		1	12	Glass Door		1	18	Lower Profile Cover		2

Attention Please:

Our product supports any direction and any inner/outer side switching method.

Our product supports an adjustment within 1.5"width (Whether 26" or 36")

(for example: if you bought 26" width, then support any size of 26-27.5")

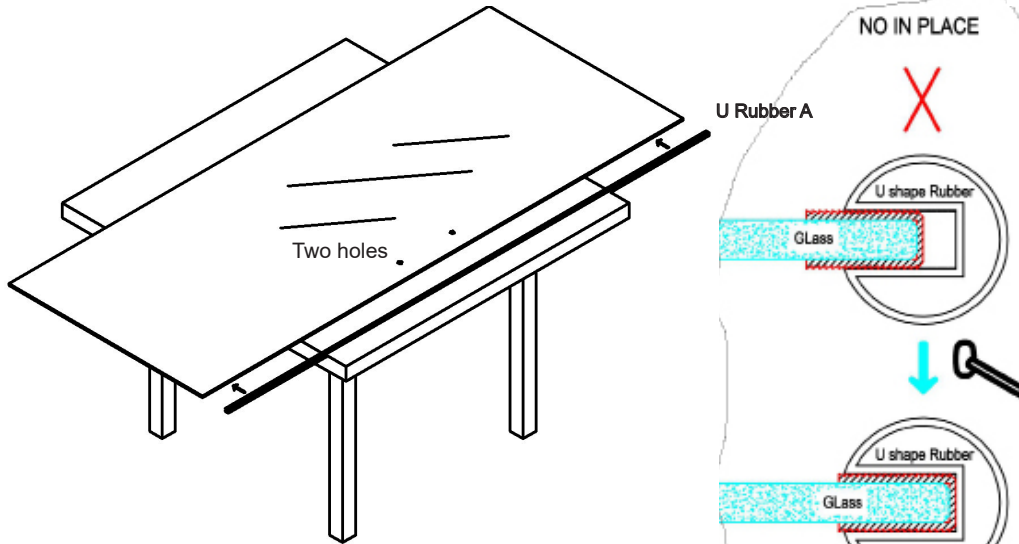
The positions of the two profiles need to be adjusted during installation to achieve an adjustment space of 1.5 inches. Please read the following installation instructions carefully. (Page 8)

Installation Procedure A:

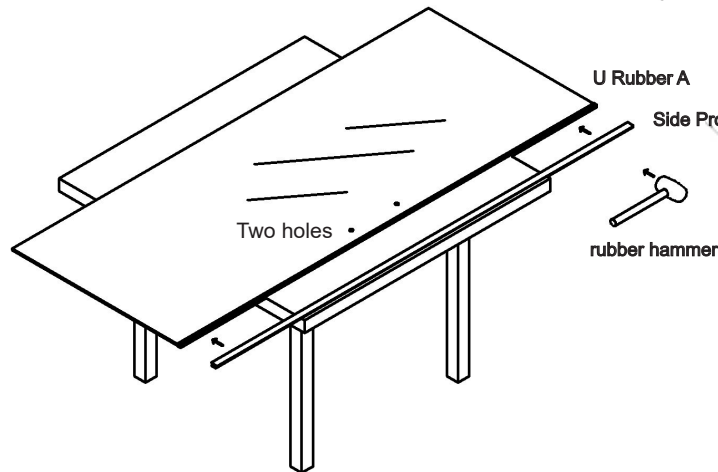
Place the **Glass Door** flat on the table (be careful to protect the edges and corners to avoid damage).

1. Install the **U Rubber A** on the side of the glass door with two handle holes. Wipe the **U Rubber A** with a wet cloth.
2. Align the **Side Profile** with the edge of the **U Rubber A** and tap it in forcefully with a **rubber hammer**. (make sure to tap it in place).

Setp 1:



Setp 2:

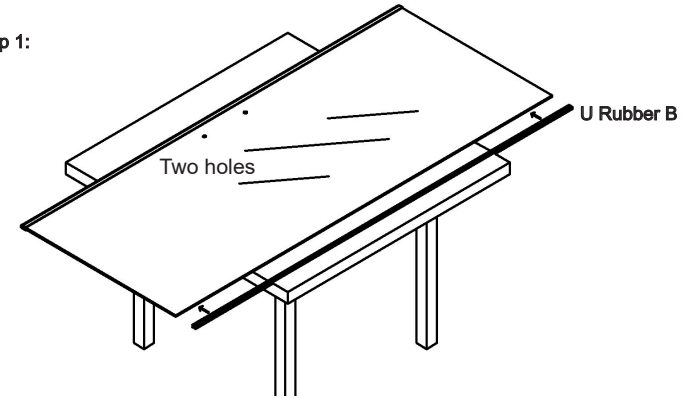


PLEASE MUST USE A RUBBER HAMMER TO AVOID THE RISK OF DAMAGING THE PROFILES.

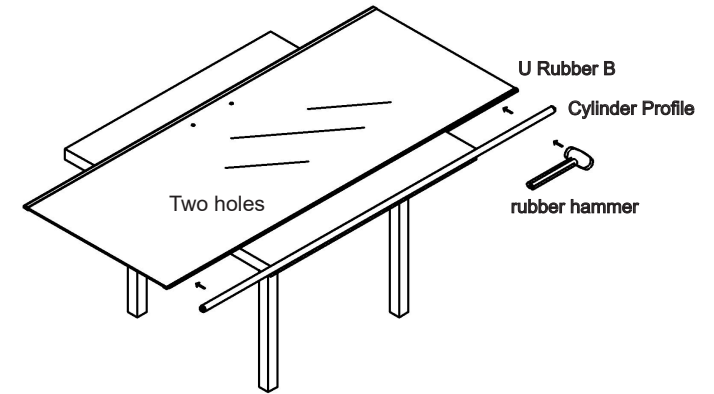
Installation Procedure B:

1. Install the **U Rubber B** on the other side of the **Glass Door**. Wipe the **U Rubber B** with a wet cloth.
2. Align the **Cylinder Profile** with the edge of the **U Rubber B** and tap it in forcefully with a **rubber hammer**. (make sure to tap it in place).
3. Assemble the **Cylinder Profile** and the **Pivot Profile** with the **Pivot Block with ST4*20mm x 2**.

Setp 1:

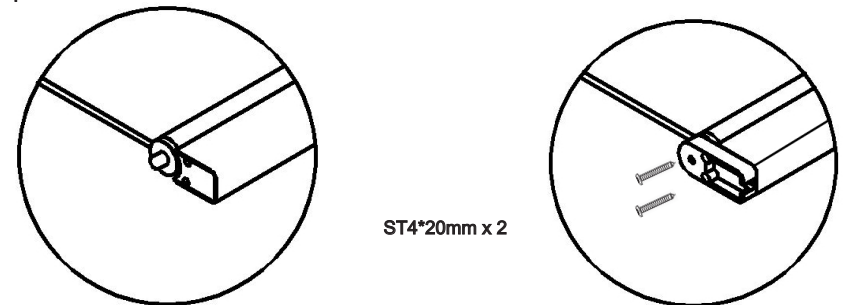


Setp 2:



PLEASE MUST USE A RUBBER HAMMER TO AVOID THE RISK OF DAMAGING THE PROFILES.

Setp 3:

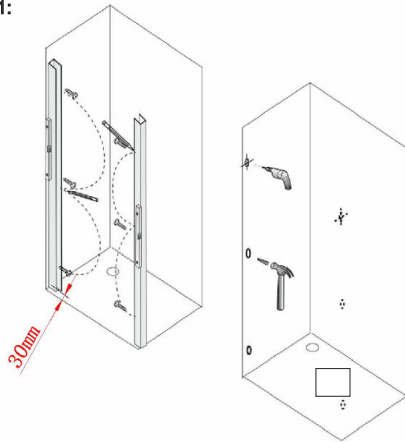


ST4*20mm x 2

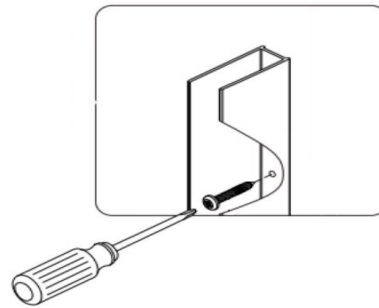
Installation Procedure C:

1. Put the **Wall Jamb** against the wall of installing position (recommended to take 30mm inward as the center), use a pencil to mark the 3 holes inside the **Wall Jamb**.
2. Drill 6mm holes x 3 on the wall with a drill bit, install **Φ6 Wall Anchor x 3**, screw the **Wall Jamb** with **ST4*30mm x 3** screws. The operation for the **Wall Jamb** on the other side is same.
3. Insert the **Pivot Profile** of the **Glass Door** into the **Wall Jamb**.

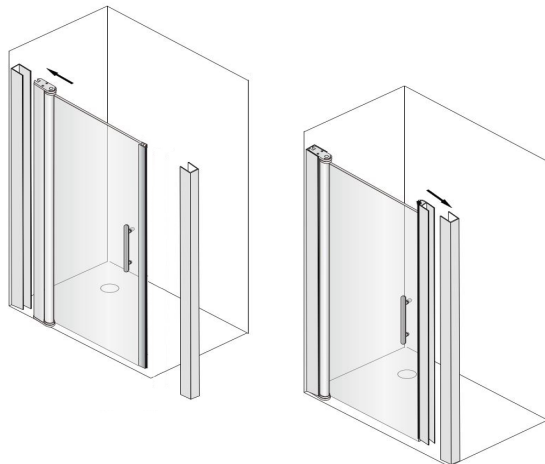
Setp 1:



Setp 2:

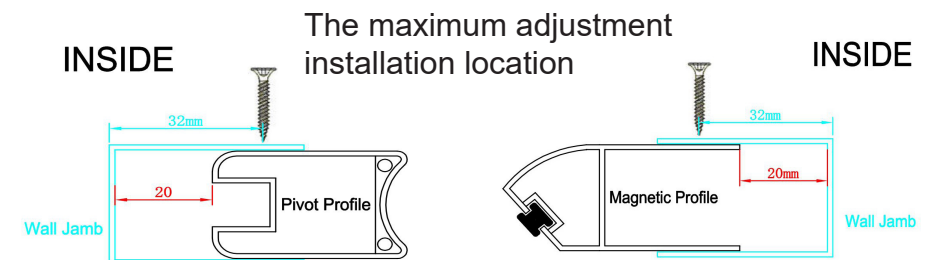
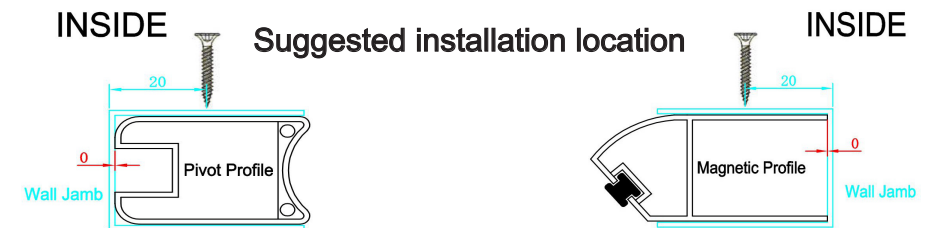
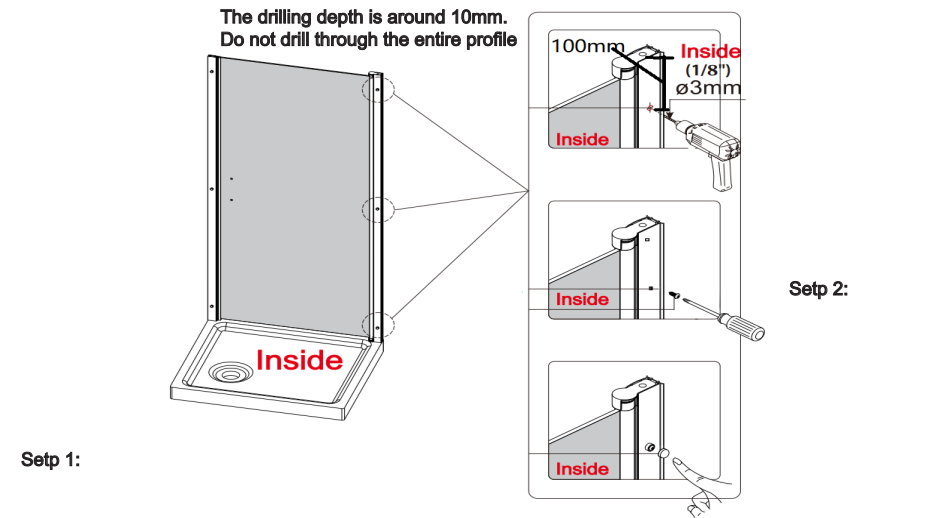


Setp 3:



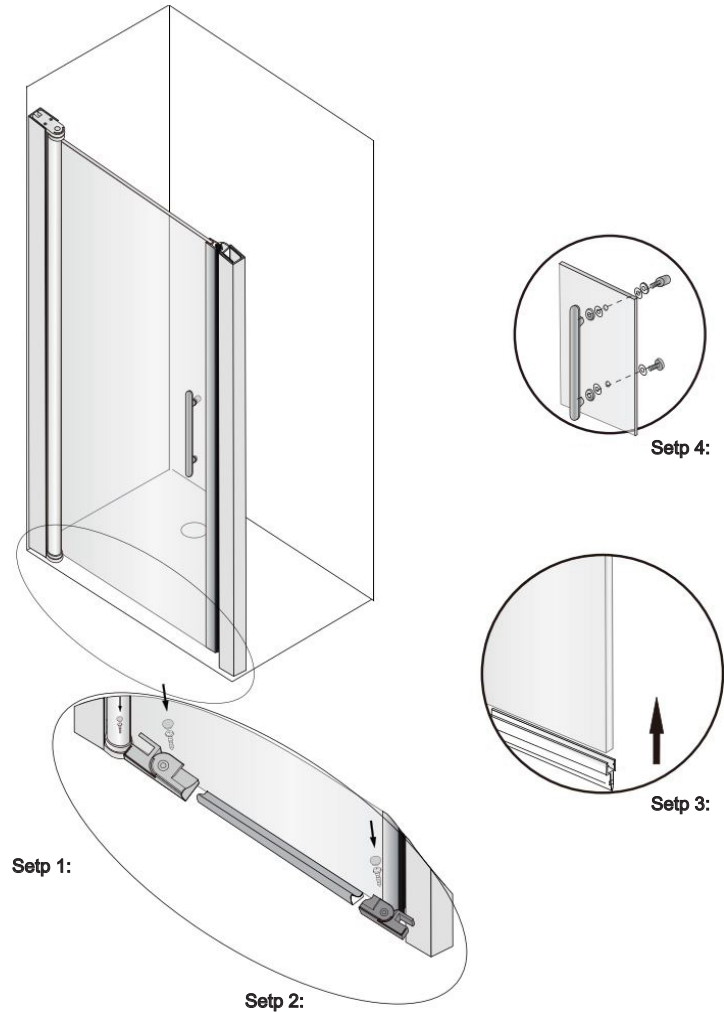
Installation Procedure D:

1. Determining the installation position, directly drill 3mm holes on the **Wall Jamb**. (it is recommended to make them on the inner side of the shower enclosure, **100mm** at each end of the wall jamb and the middle one at the **center**). (Note: Please adjust the insertion depth according to the width of the door to be installed. The adjustable range is 0-**20mm** each side.)
2. Screw **ST4*20mm x 3** into the drilled holes, then put the **Decorative Cover**.
3. Insert the **Magnetic Profile** into the **Wall Jamb**. Then the same operations as above until the **Decorative Cover** is closed.



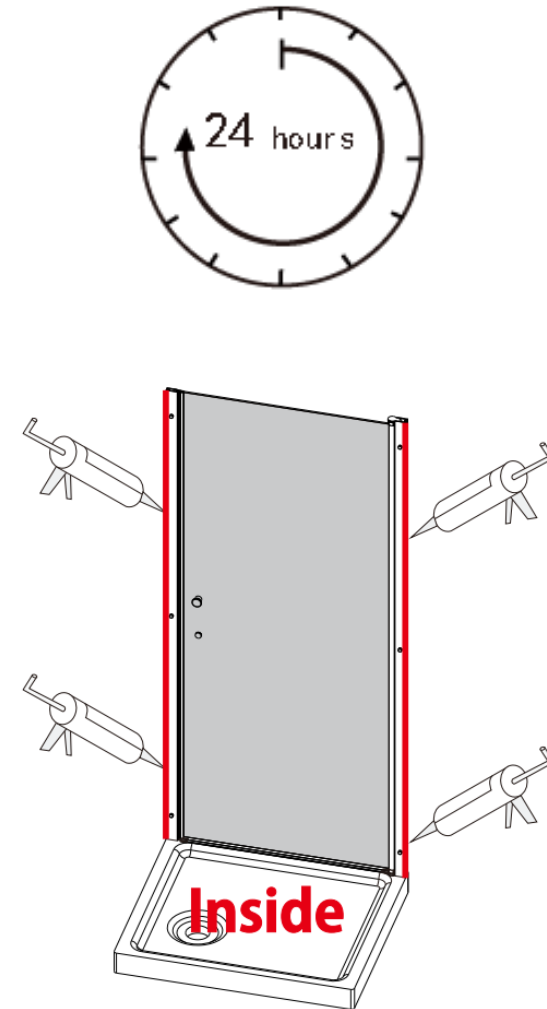
Installation Procedure E:

1. Place the **Lower Profile** on the ground at the middle of 2 **Wall Jamb**. Cover the **Lower Profile Cover** with the lid and mark the 2 holes with a pencil.
2. Drill 6mm x 2 holes on the ground with a drill bit, install **Φ6 Wall Anchor x 2**, and secure the **Lower Profile Cover** with **ST4*20mm x 2** screws. Then cover the lid.
3. Insert the **F Water Vinyl** into the bottom of the **Glass Door**.
4. Install the **Handle** properly.



Installation Procedure F:

1. Check the whole product, adjust it to the best condition, and make the **Glass door** smooth, in good seal, covered with the **Decorative cover**.
2. Clean in good health, as shown by the dotted line gelatinize the neuter glass glue. After 24 hours, You shower can be used.



Please allow 24 hours for the silicone to fully cure before using the shower.

Usage and Maintenance

I. How to use and maintain the pulley of shower room

1. Avoid colliding the shower room active door energetically, to avoid activity door falling off; When the pulley does not turn or activity door does not move, the pulley needs replacing, it can't be energetically pushed or pulled, so as not to crush the glass loss.
2. Regularly clean slippery course, pulley of the shower room, fill lubricant (lubricating oil and lubricating wax);
3. When active door of the shower room is closed, there is seam above or below:
4. Check whether verticality deviation occurs, if any, install and adjustment.

II. The maintenance of toughened glass of shower room

1. Don't use sharp blow or hit shower room glass surface, so as to avoid breakage;
2. Do not use corrosive liquid such as banana oil to wipe the glass shower room surface, so as not to damage the surface luster;
3. Don't use coarse material to wipe the glass surface of the shower room to avoid scratch.
4. The glass is cleaned with cotton cloth or soft cloth after being wetted.

III. The maintenance of the aluminum alloy frame of the shower room

Oxidation coloring products, (silver, silver, brushed silver surface coloring class): This kind of products is not easy to fade compared to electrostatic coating products, but the surface can neither be wiped with coarse material, the surface can't be depicted with sharp object. If the shower room aluminum surface besmirch, please use neutral detergent dissolved in water before cleaning.

IV. The maintenance of the hardware fittings

1. The cleaning of furniture hardware fittings, wet cloth is used to wipe or the wet cloth is dipped into neutral detergent or cleaner processing, finally water stains are dried.
2. When the surface has serious besmirch or scratches, fireworks burn, a sandpaper (2000) can be used to grind the surface, with a microfiber cloth to wipe.
3. Don't use sharp and hard goods to scrape the surface of metal accessories, to avoid contacting with the materials such as hydrochloric acid, salt, bittern.
4. Keep clean, there are water stains on the surface during use, wipe dry after use, keep the surface dry and cleaning regularly.

We sincerely wish you a wonderful experience !

Thanks !