

DESK

ASSEMBLY INSTRUCTION



ASSEMBLY INSTRUCTION

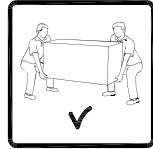
ASSEMBLY TIPS :

- 1.Remove hardware from box and sort by size.
- 2.Please check to see that all hardware and parts are present prior to start of assembly.
- 3.Please follow attached instructions in the same sequence as numbered to assure fast & easy assembly.

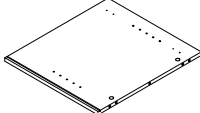
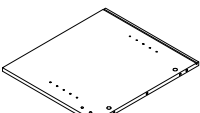
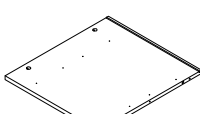
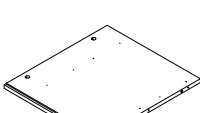
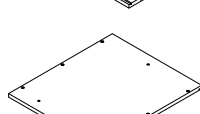
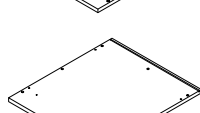
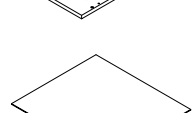
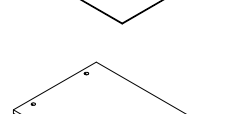
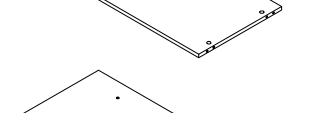


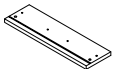
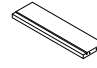
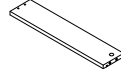

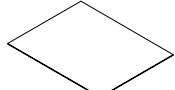
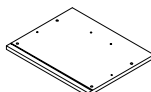

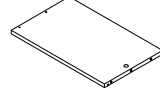
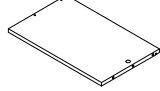
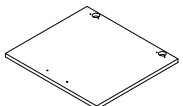
Warning !

- 1.Don't attempt to repair or modify parts that are broken or defective.Please contact the store immediately.
- 2.This product is for home use only and not intended for commercial establishment.

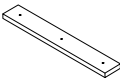
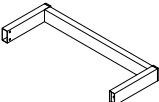
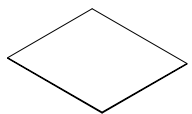
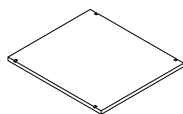


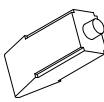

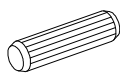

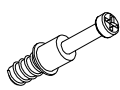






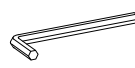
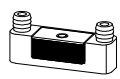
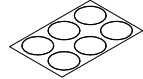
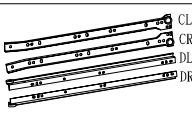
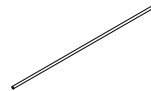

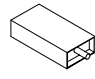
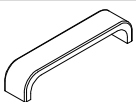
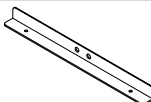

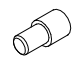
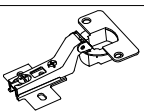
PARTS IDENTIFICATION:

(A) LEFT SIDE PANEL		1PC
(B) LEFT DIVIDER PANEL		1PC
(C) RIGHT DIVIDER PANEL		1PC
(D) RIGHT SIDE PANEL		1PC
(E) BOTTOM PANEL		2PCS
(F) TOP PANEL		2PCS
(G) LEFT BACK PANEL		1PC
(H) MIDDLE BACK PANEL		1PC
(I) LARGE TOP PANEL		1PC

(J) SMALL DRAWER FRONT PANEL		1PC
(K) SMALL DRAWER BACK PANEL		1PC
(L) SMALL LEFT DRAWER SIDE PANEL		1PC
(M) SMALL RIGHT DRAWER SIDE PANEL		1PC
(N) DRAWER BOTTOM PANEL		2PCS
(O) LARGE DRAWER FRONT PANEL		1PC
(P) LARGE DRAWER BACK PANEL		1PC
(Q) LARGE LEFT DRAWER SIDE PANEL		1PC
(R) LARGE RIGHT DRAWER SIDE PANEL		1PC
(S) DOOR		1PC

ASSEMBLY INSTRUCTION

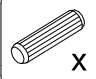

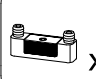
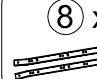

(T) CROSS BAR		2PCS	(V) FOOT		2PCS
(U) RIGHT BACK PANEL		1PC	(A1) ADJUSTABLE SHELF		1PC

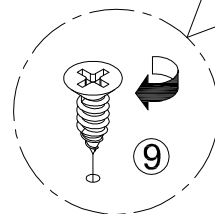
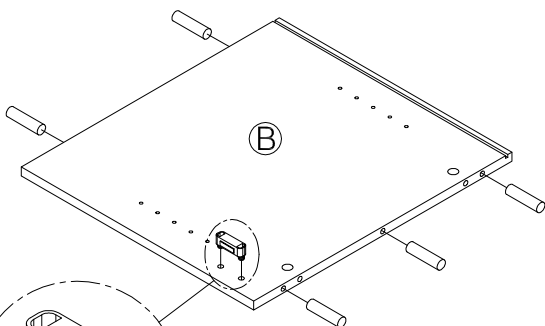
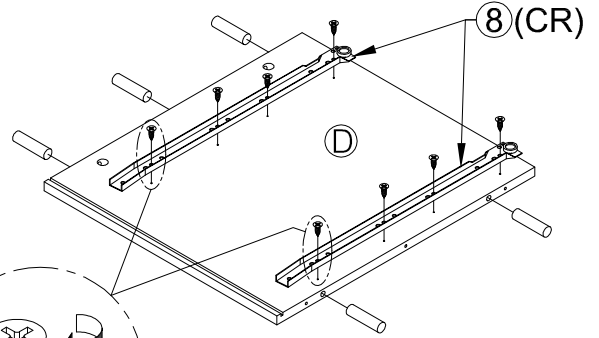
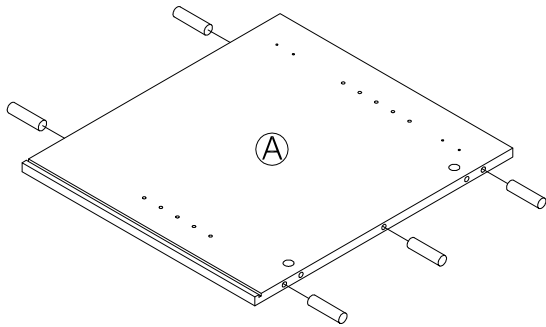
Z HARDWARE PACKAGE							
NO	DESCRIPTION	FIGURE	Q'TY	NO	DESCRIPTION	FIGURE	Q'TY
1	GLUE 40g		1PC	13	HINGE SCREW § 4x15mm		8PCS
2	WOODEN DOWEL § 8x30mm		30PCS	14	LONG BOLT M6x35mm		6PCS
3	CAM BOLT § 7x35.5mm		16PCS	15	BOLT M6x28mm		4PCS
4	CAM LOCK § 15x12mm		16PCS	16	SHORT BOLT M6x15mm		4PCS
5	LONG SCREW § 4.5x42mm		12PCS	17	CROSS BAR SCREW Ø4x25mm		6PCS
6	SCREW Ø4.3x35mm		8PCS	18	ALLEN WRENCH		1PC
7	DOOR CATCH		1PC	19	STICKER § 20mm		3PCS
8	GLIDES L = 450mm		2SET	20	IRON BAR § 4.8x362mm		2PCS
9	SHORT SCREW Ø3.5x10mm		28PCS	21	IRON 80mm		4PCS
10	HANDLE L=106mm		3PCS	22	"L" SUPPORT IRON 300mm		2PCS
11	HANDLE BOLT § 4x23mm		6PCS	23	PIN § 4.9x8mm		4PCS
12	HINGE		2PCS				

Z8,Z10,Z12,Z20,Z21,Z22 not included in blister packaging.

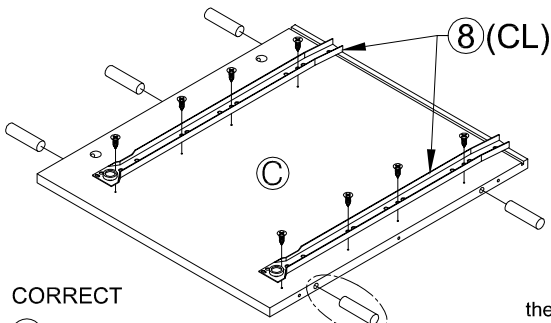
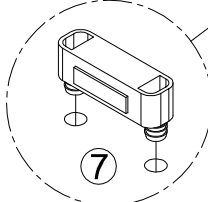
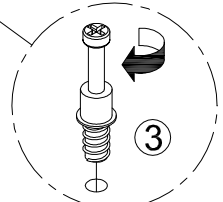
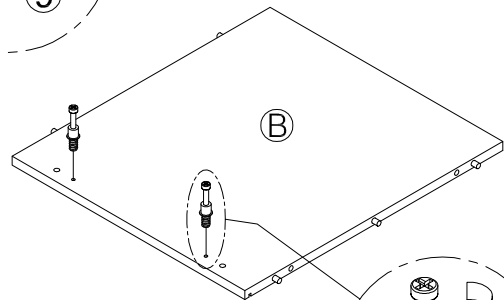
ASSEMBLY INSTRUCTION

It needs two persons and takes about forty minutes to assemble the item.
STEP 1 :

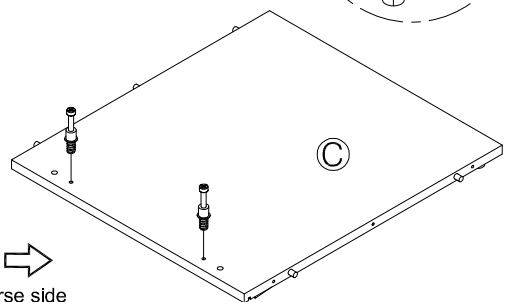
- | | |
|---|--|
|  ②
x 20 |  ③
x 4 |
|  ⑦
x 1 |  ⑧ x 2
CL CR |
|  ⑨
x 16 | |



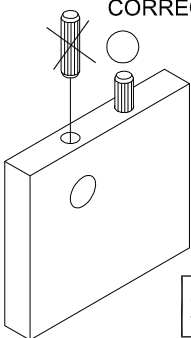
→
the reverse side



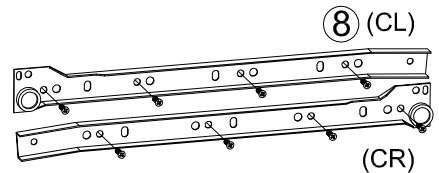
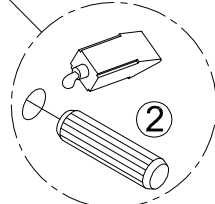
→
the reverse side



INCORRECT CORRECT

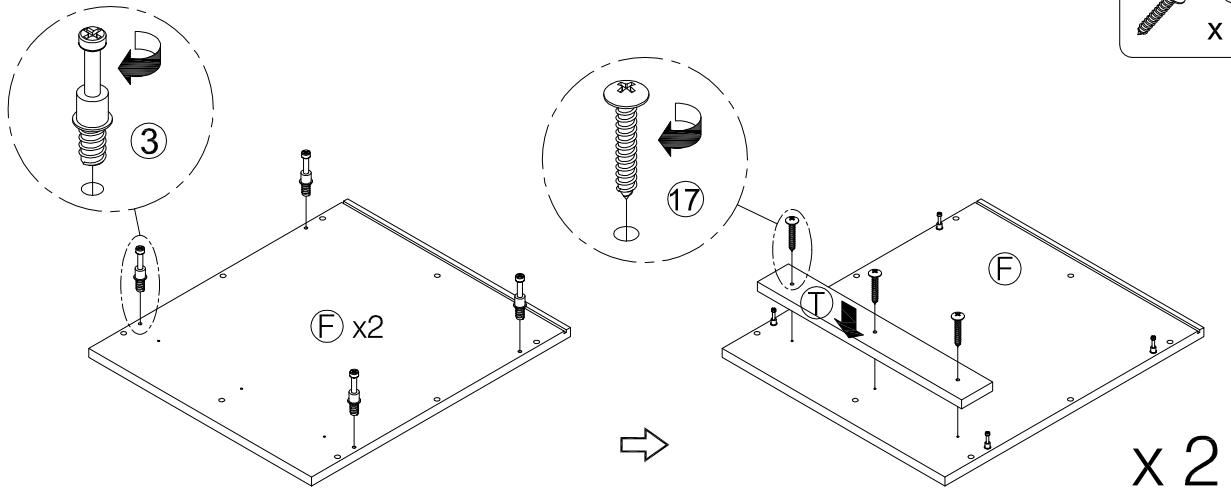
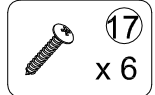
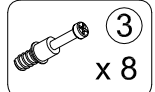


Apply glue on all wooden dowels to ensure integrity of the structure.

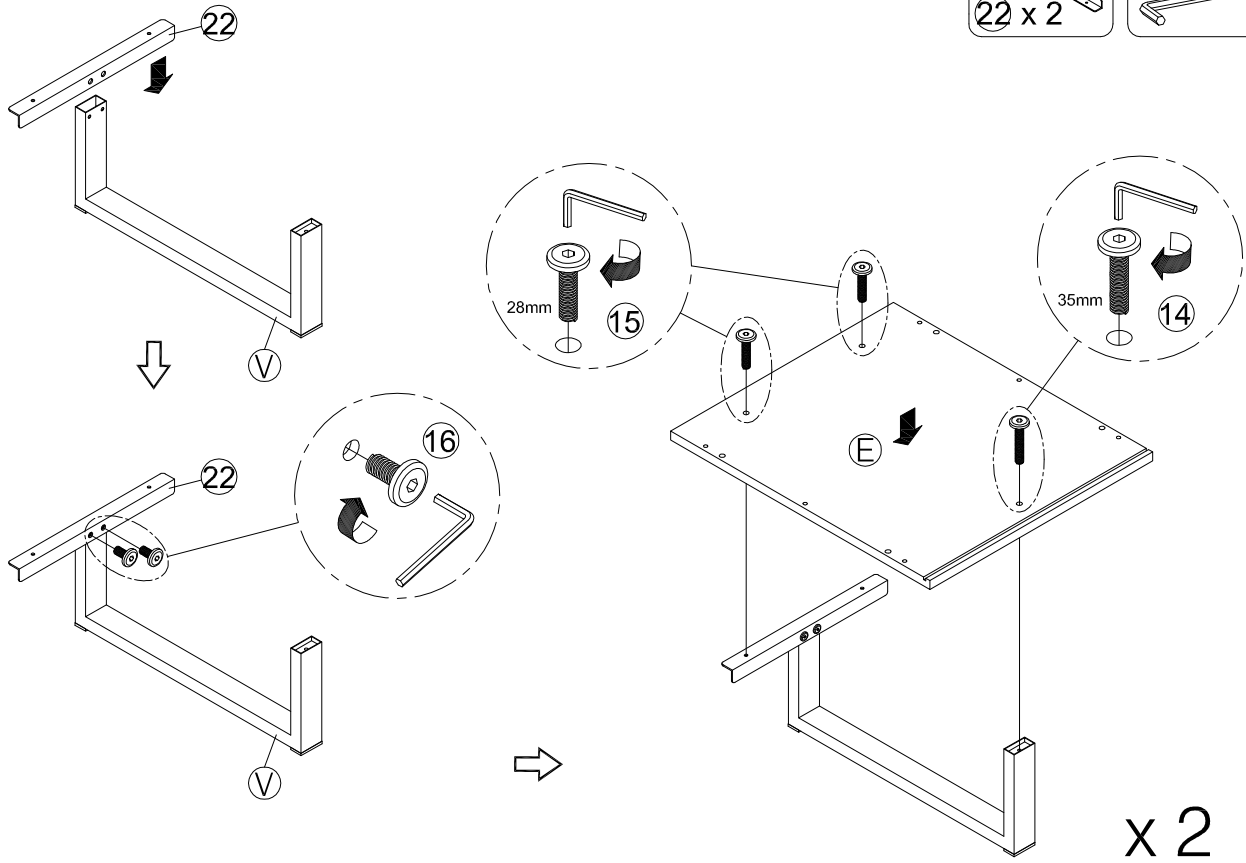
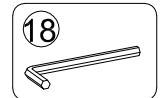
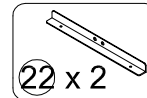
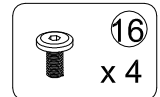
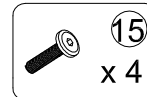
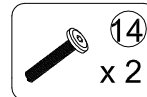


ASSEMBLY INSTRUCTION

STEP 2 :

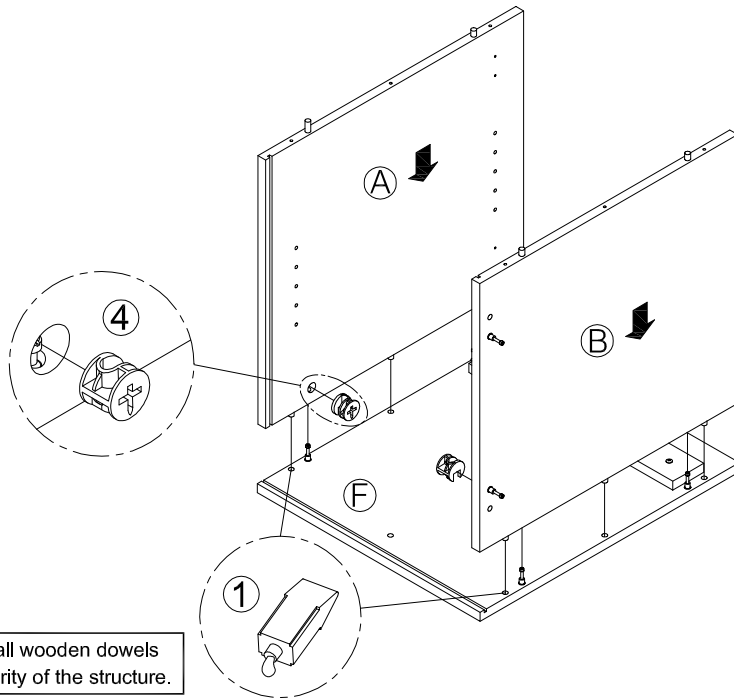
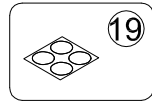
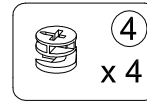


STEP 3 :

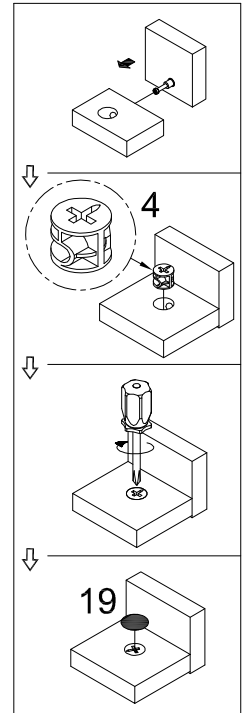


ASSEMBLY INSTRUCTION

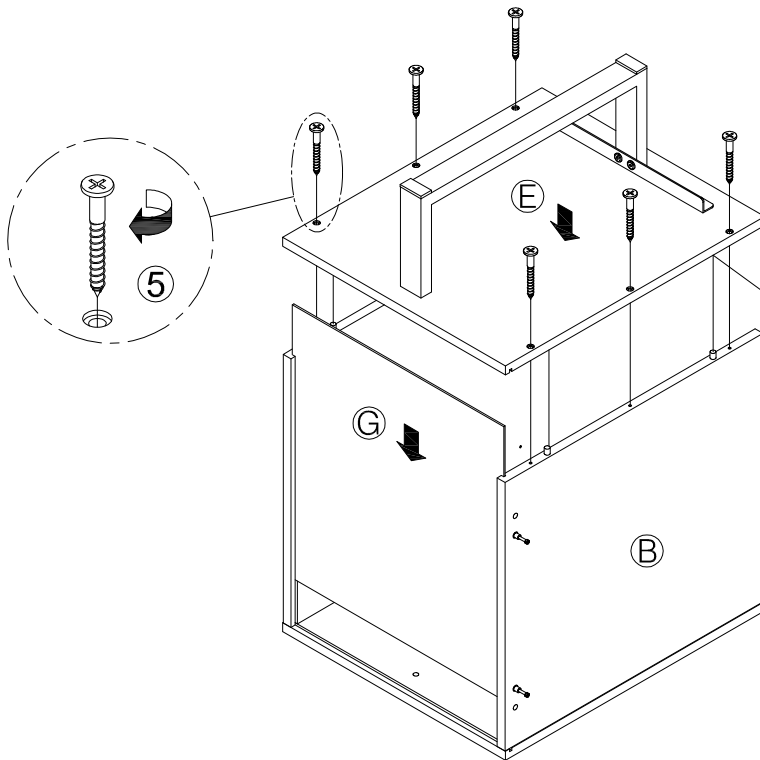
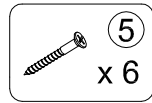
STEP 4 :



Apply glue on all wooden dowels to ensure integrity of the structure.



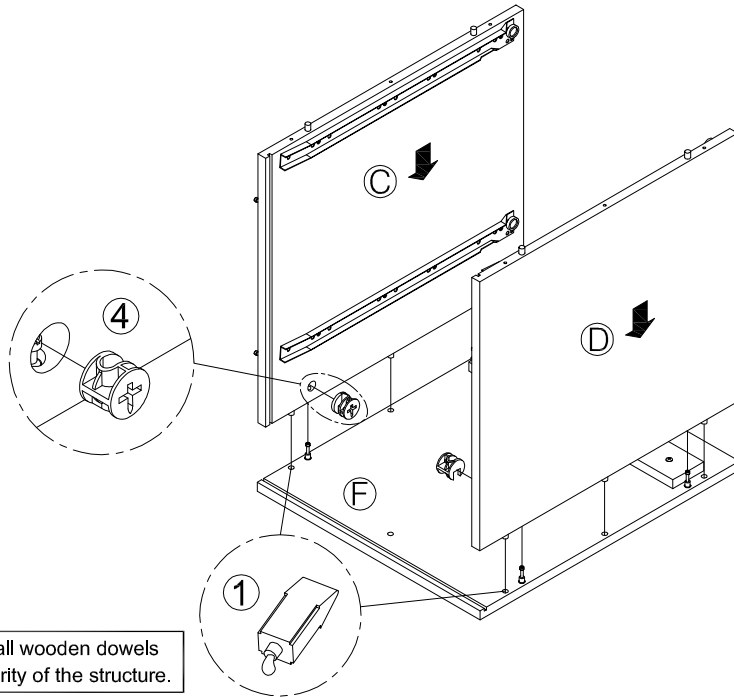
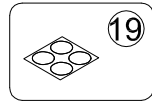
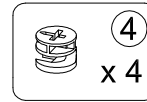
STEP 5 :



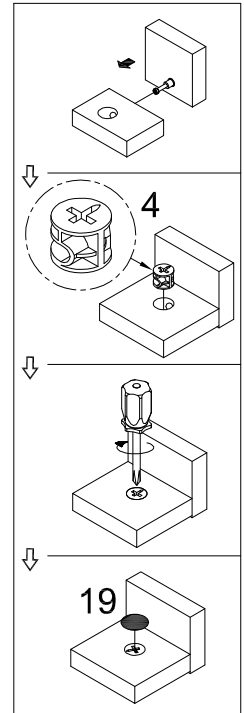
Apply glue on all wooden dowels to ensure integrity of the structure.

ASSEMBLY INSTRUCTION

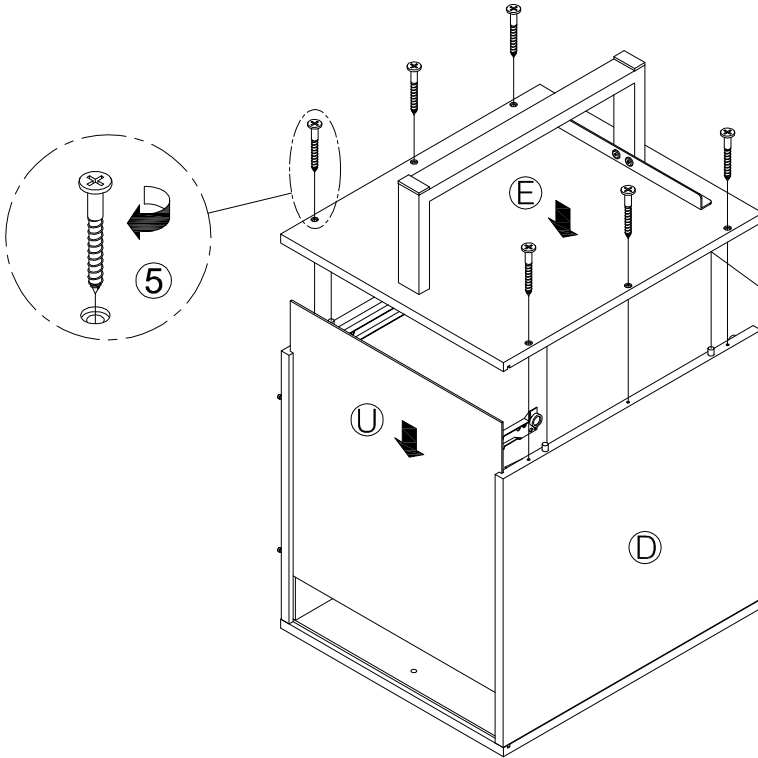
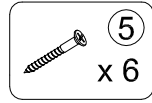
STEP 6 :



Apply glue on all wooden dowels to ensure integrity of the structure.



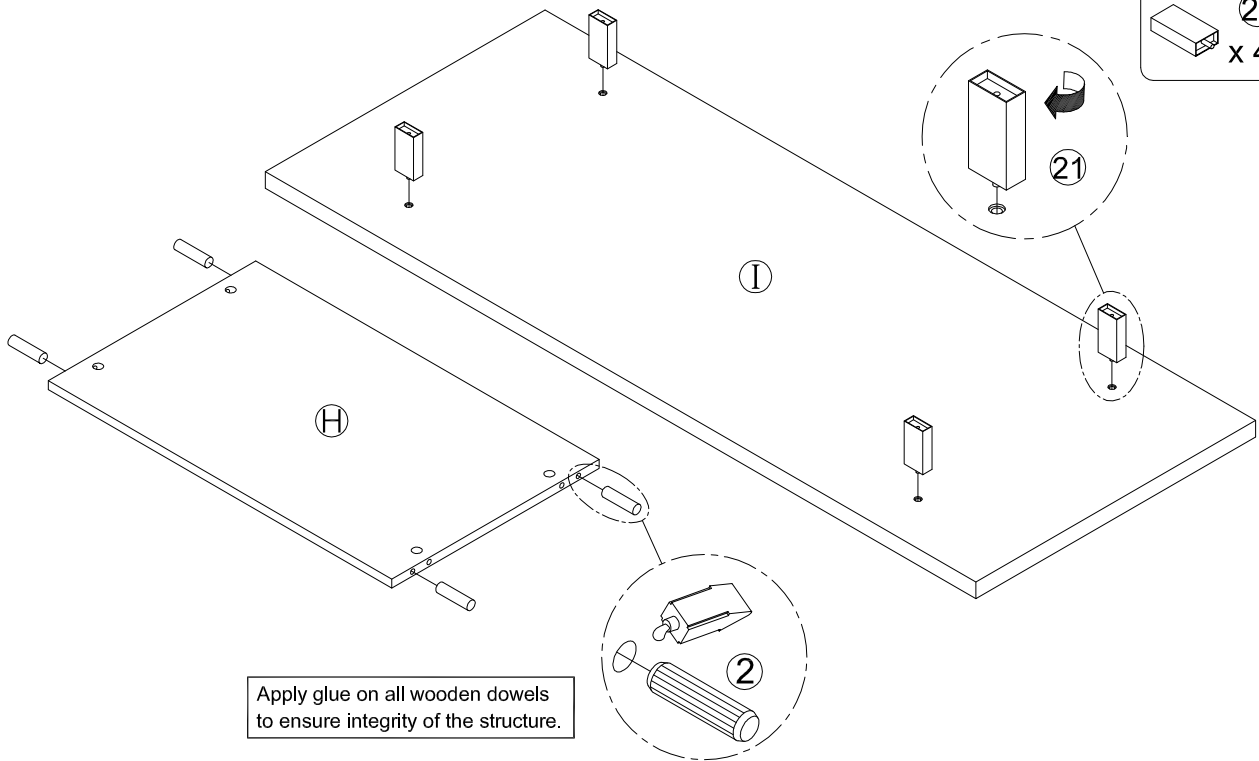
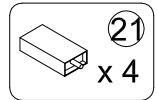
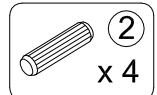
STEP 7 :



Apply glue on all wooden dowels to ensure integrity of the structure.

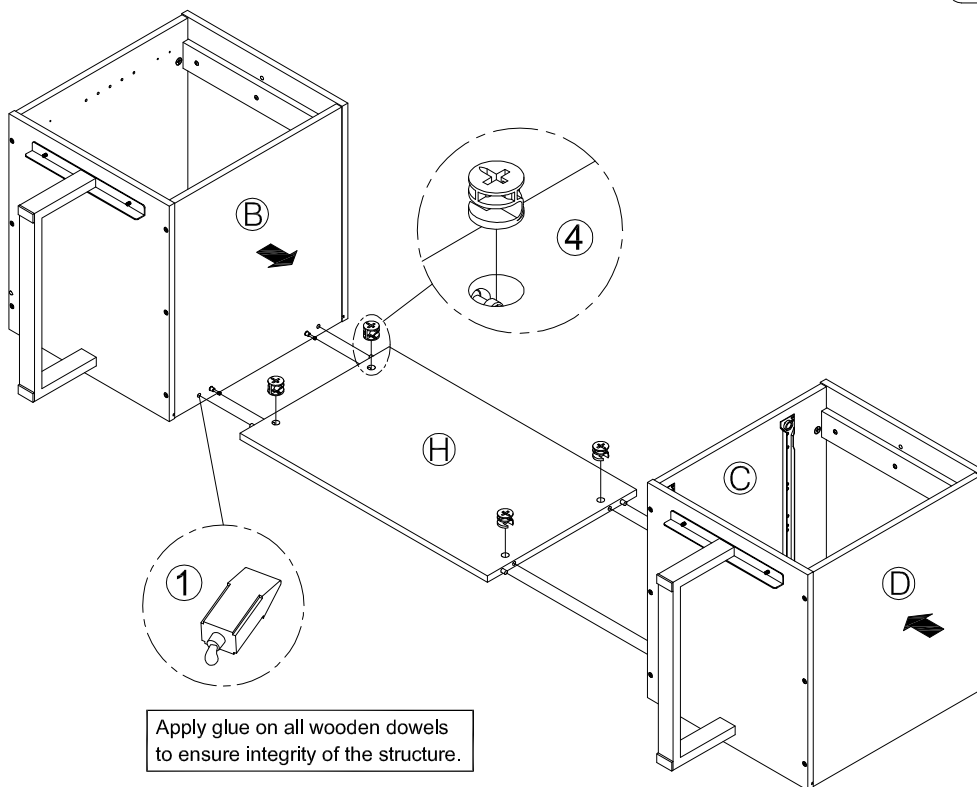
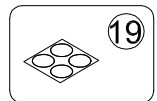
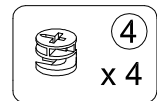
ASSEMBLY INSTRUCTION

STEP 8 :

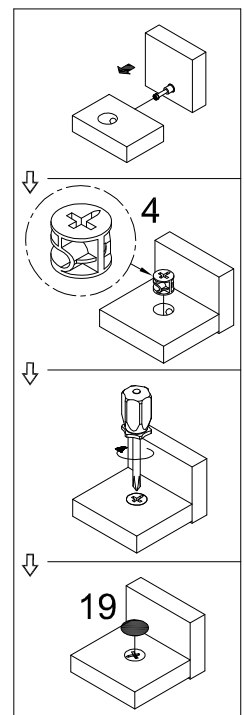


Apply glue on all wooden dowels to ensure integrity of the structure.

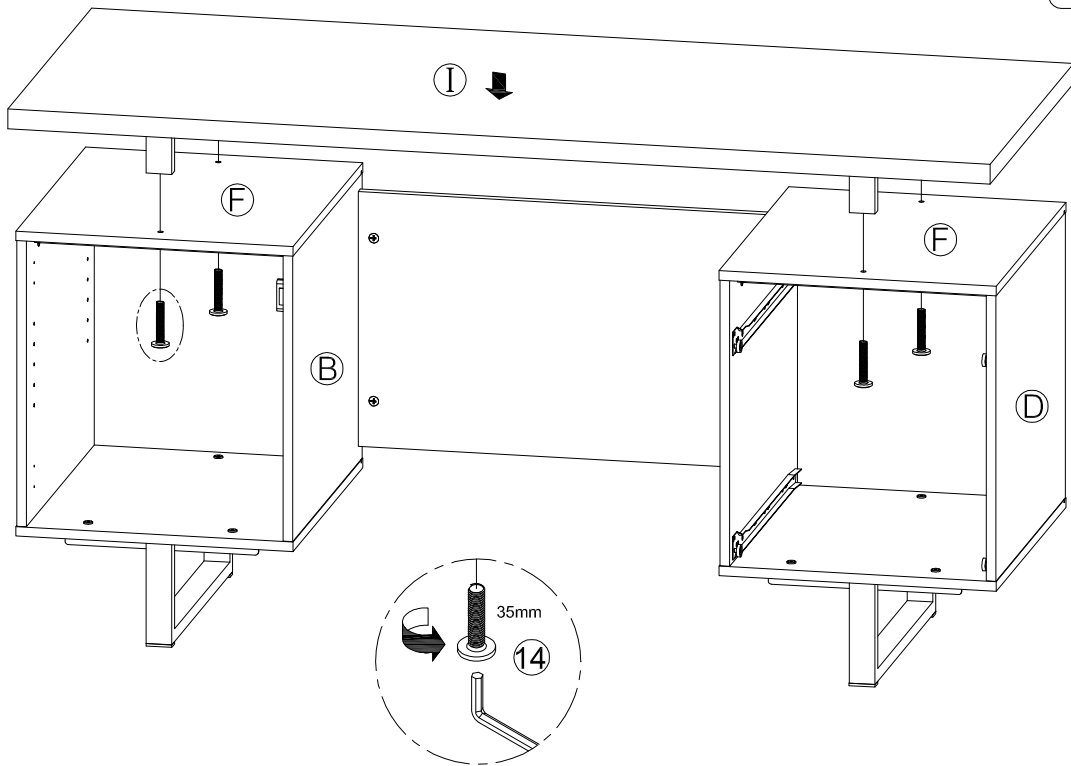
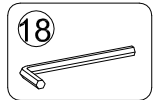
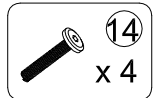
STEP 9 :



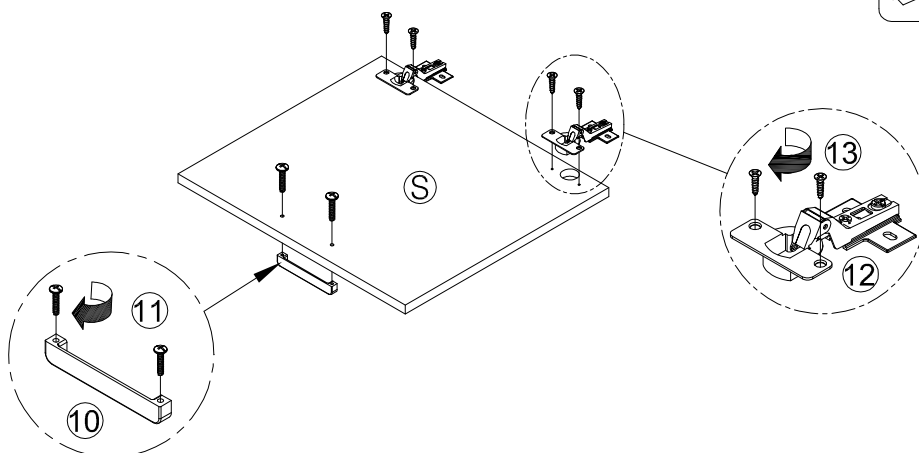
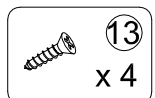
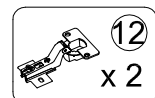
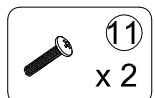
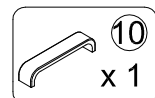
Apply glue on all wooden dowels to ensure integrity of the structure.



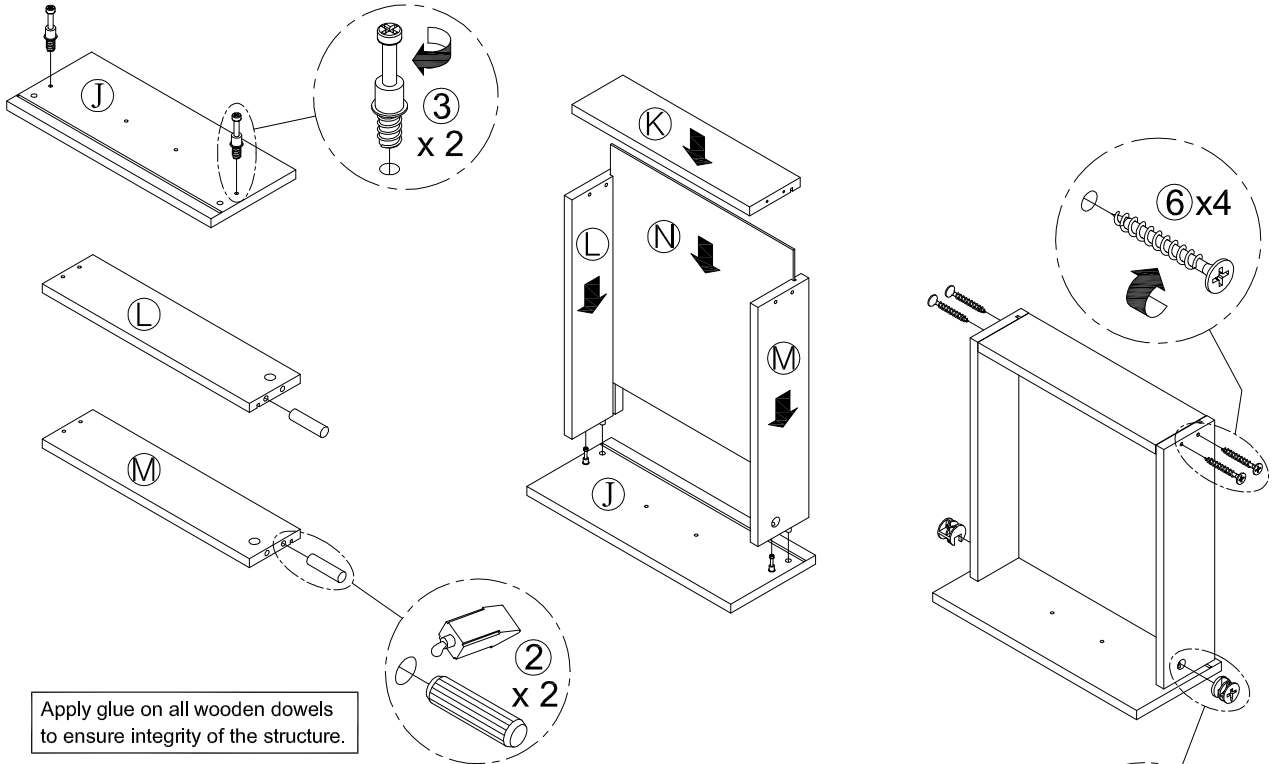
STEP 10 :



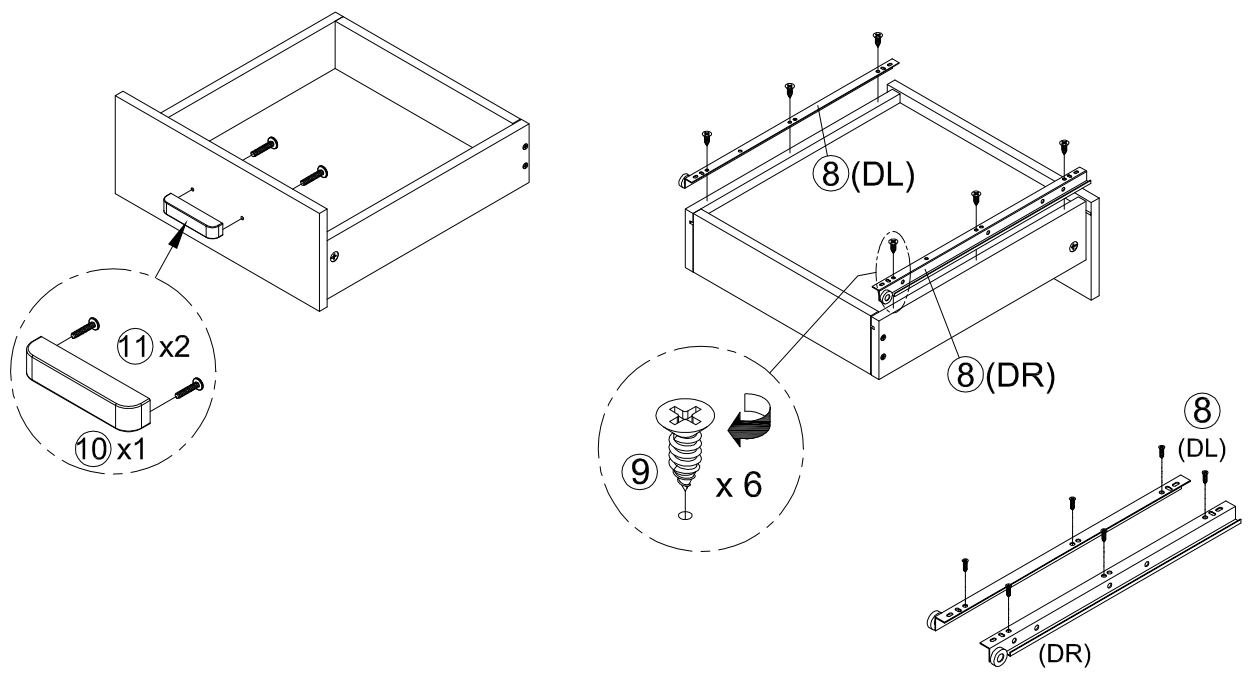
STEP 11 :



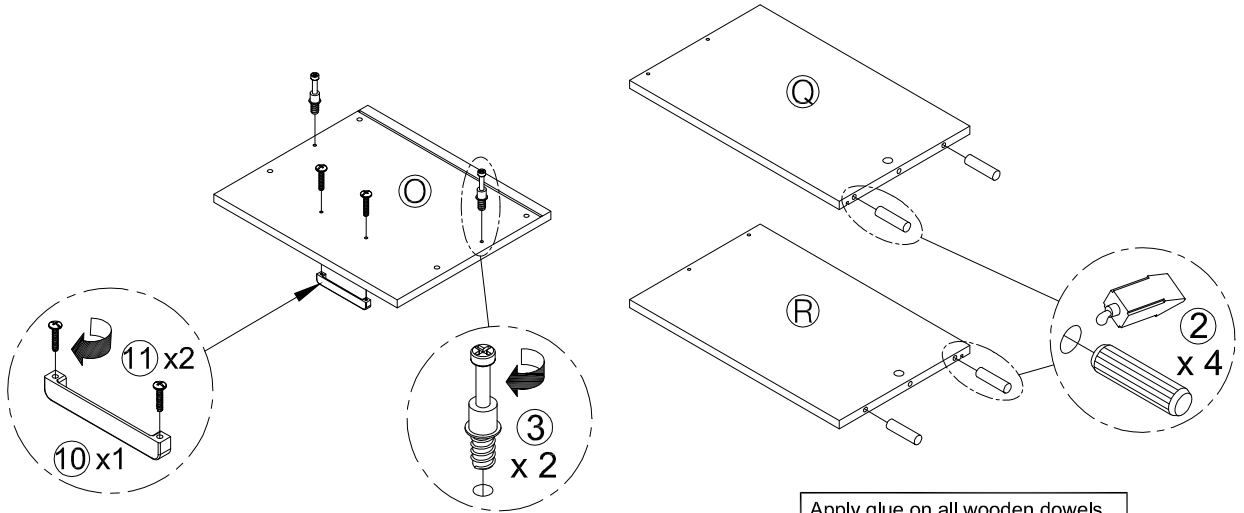
STEP 12 :



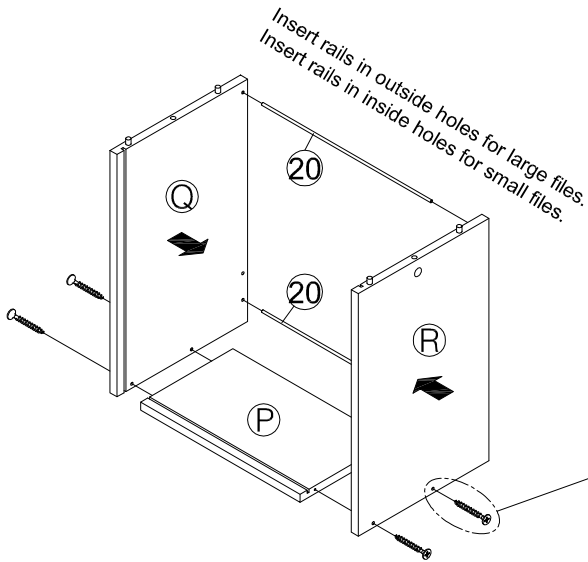
Apply glue on all wooden dowels to ensure integrity of the structure.



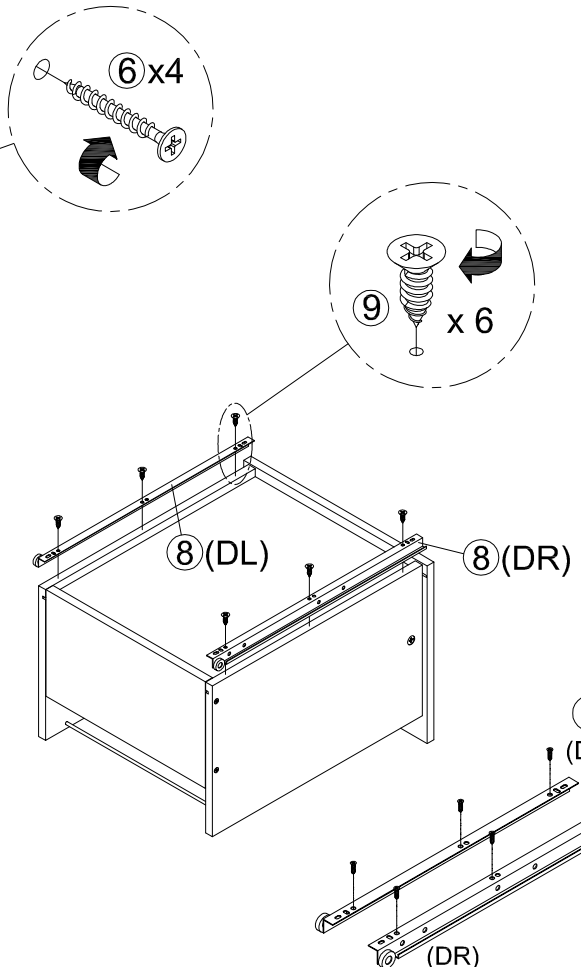
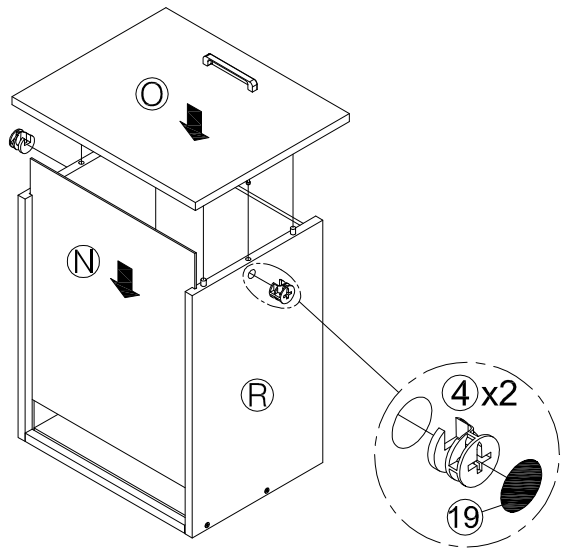
STEP 13 :



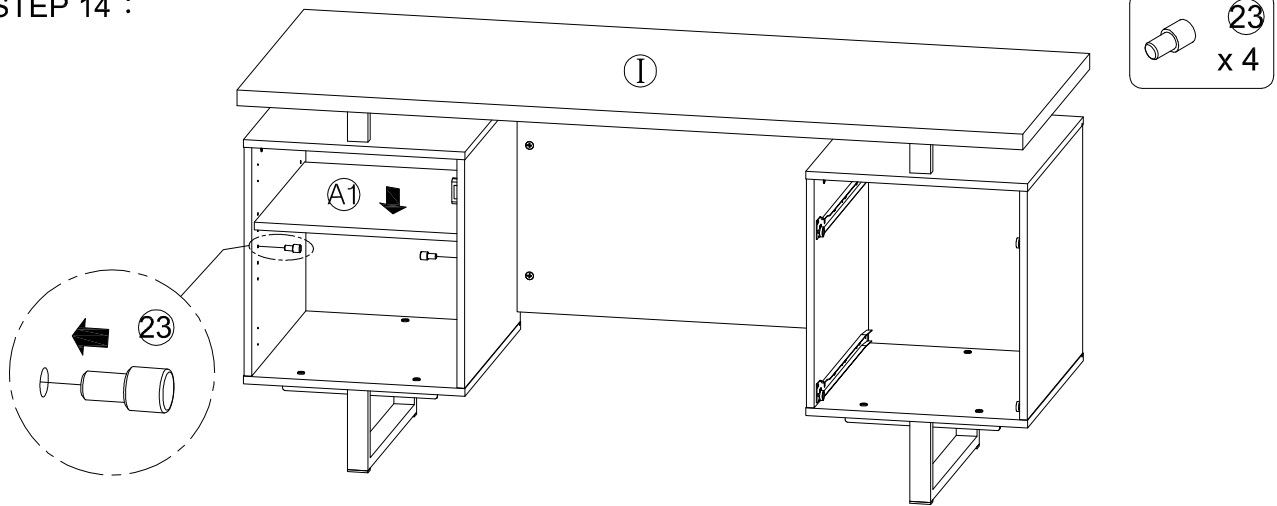
Apply glue on all wooden dowels to ensure integrity of the structure.



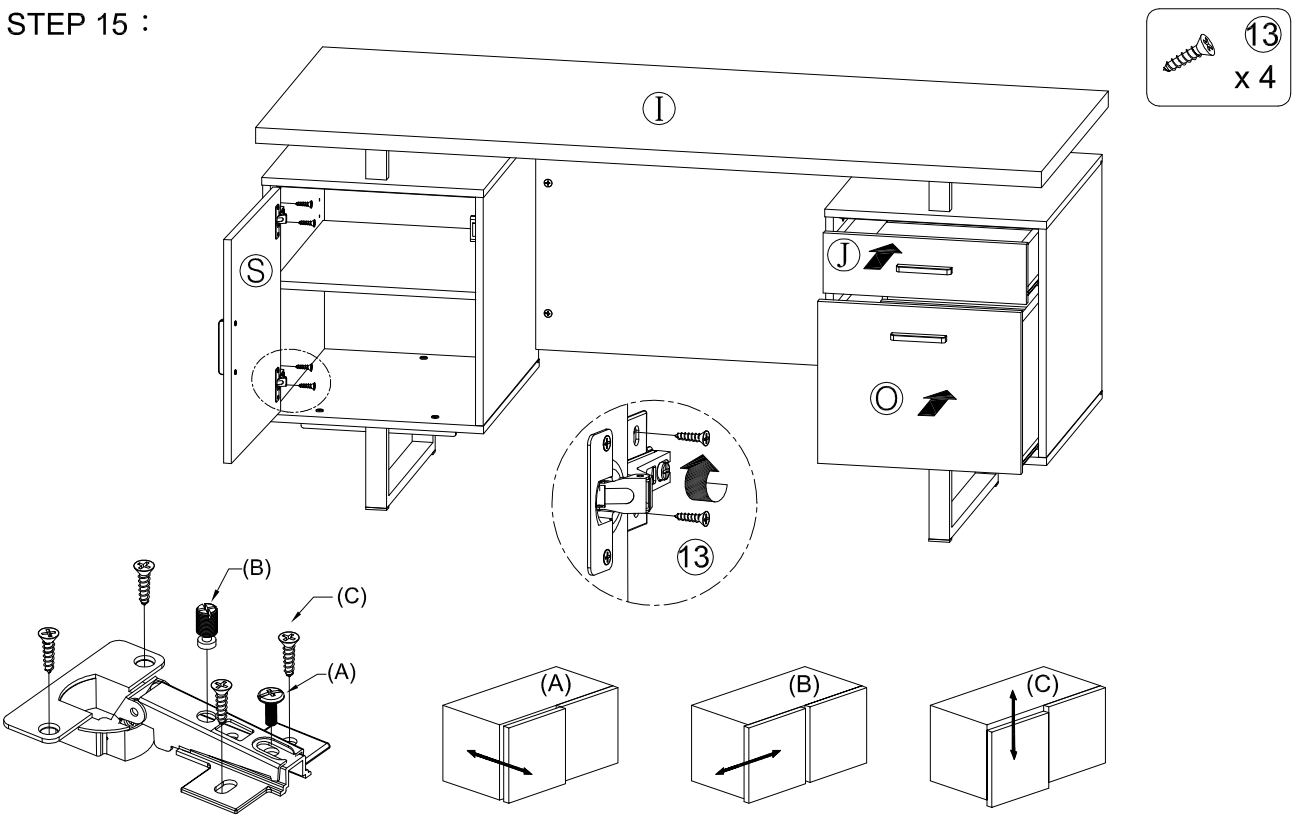
Insert rails in outside holes for large files.
Insert rails in inside holes for small files.



STEP 14 :



STEP 15 :



FINISH

