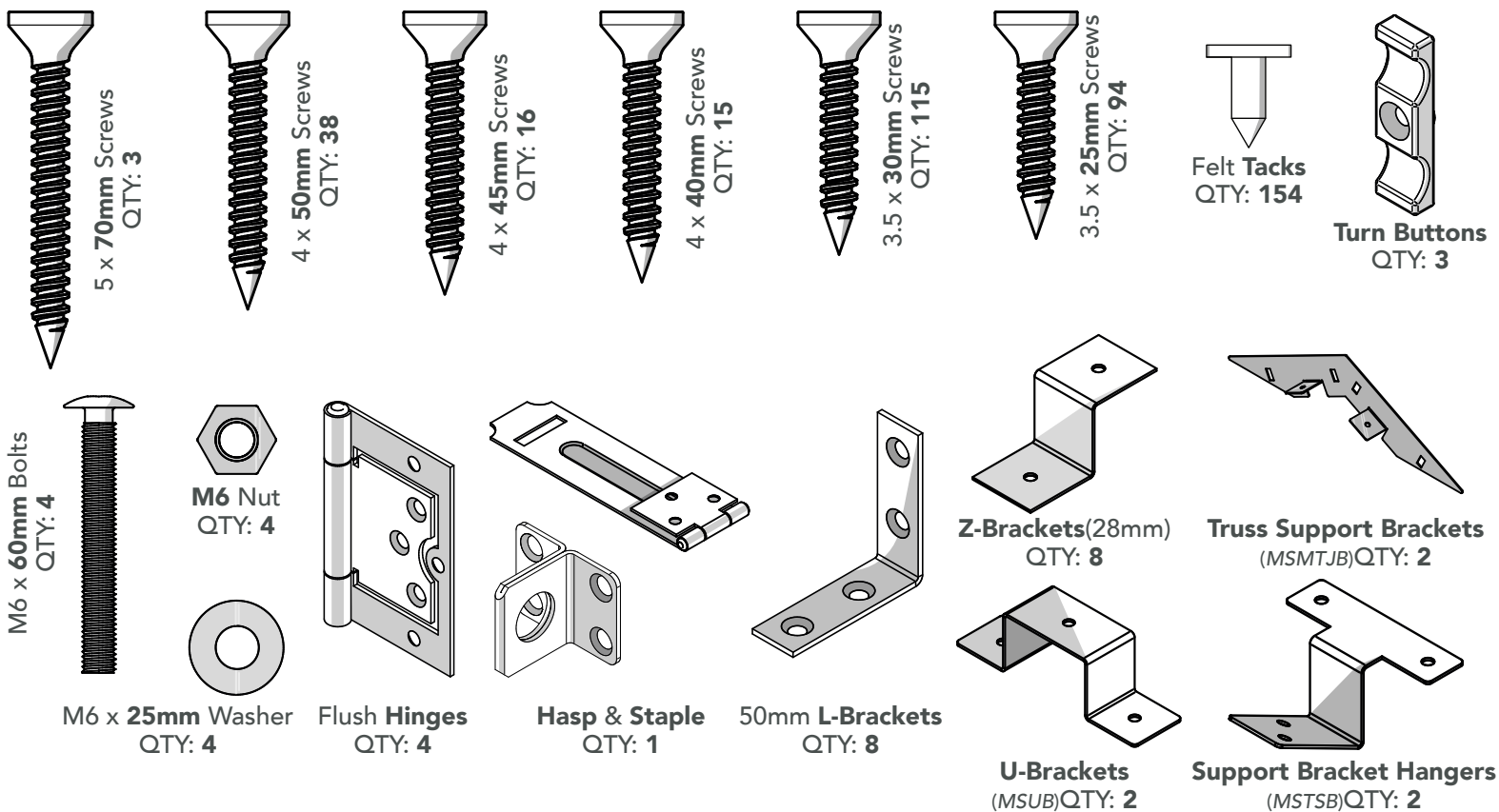


Thank you for purchasing your shed. No matter what size garden, a shed is the most practical of garden structures. Simply follow these step by step instructions and our top tips and you'll be enjoying your shed for many years to come.

SHED INSTRUCTIONS

LARGE SHEDS DOUBLE DOOR (7x7, 8x6, 10x6)

FIXING PACKS CONTAIN:



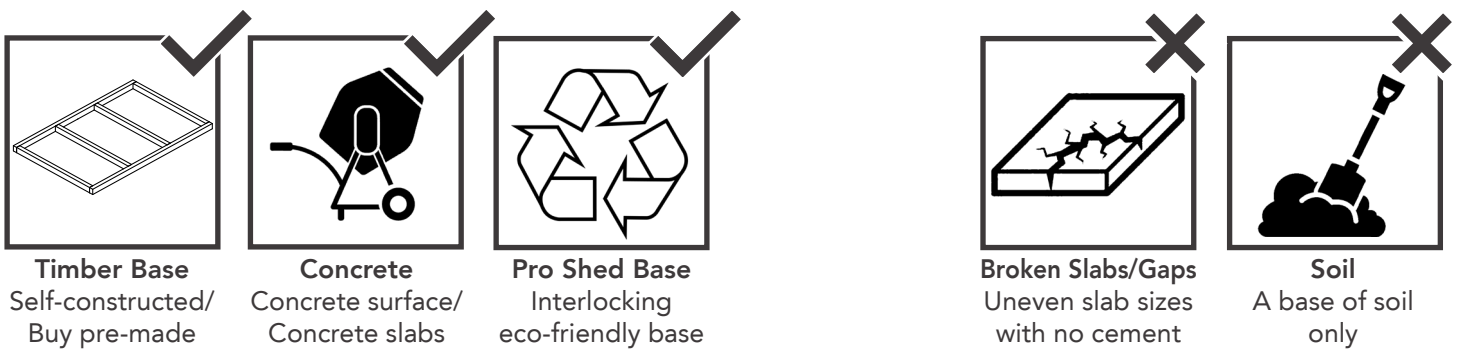
BEFORE YOU START

Please read through these instructions to familiarise yourself with your shed. We recommend that you **check all the components** using the lists found on the front and back pages before you start to build.

All of our sheds are constructed in the same way. They simply come with different components depending on the type of shed you have. Don't worry if your fixing pack contains some spare items at the end of the build (you haven't missed a bit!) we have sent you a generic fixing pack to suit the shed range.

BASE PREPARATION

It's vital that you build your new shed on a **solid, level base**. Timber or Plastic Shed Bases are ideal, as is solid concrete or concrete slabs.



If you have an existing base and think it's suitable for your new shed to be sited on, it is important you check that it is level and doesn't deviate by any more than 15mm from edge to edge. If this isn't the case the building will twist, causing gaps to appear in the sections and the roof, doors and windows to misalign.

TOOLS NEEDED

We recommend using the following tools (not supplied):



Assembly is relatively straightforward if you follow these step by step instructions. We recommend getting everything aligned properly before screwing together and that **screw holes should be pre-drilled** to avoid splitting the timber.



IMPORTANT
Assembly requires 2+ adults.



REMINDER
Always pre-drill before screwing.

PLEASE KEEP PLASTIC BAGS AND SMALL PARTS AWAY FROM CHILDREN

To help you get the most out of our products it's useful to know a little more about the properties of timber, what's normal and how your shed may behave as the seasons change. Wood is an extremely durable material for construction but as a natural product when used outdoors it is susceptible to changes in the environment.

THINGS THAT YOU MIGHT SEE IN YOUR PRODUCT



MOVEMENT, TWISTING & WARPING

Wood contains a natural level of moisture so decreasing humidity levels in the surrounding air may cause panels to change their shape as the porous fibres shrink. This can be exaggerated during prolonged periods of dry weather. Movement and gaps in timber products are normal, in most cases the wood will revert to its original form once the high temperatures subside and there is more moisture content in the air. Similarly, in the winter months, the opposite may occur with wood swelling.



EXPANSION, CONTRACTION, SPLITS & CRACKS

All timber will expand and contract according to its environment. As a result of this expansion and contraction, it is very common to see splits and cracks developing in the wood. Splits are common during the spring and summer months as the wood begins to dry out. The outer surface dries first and contracts, contracting over a still expanded core of the wood. The result of this is that splits and cracks appear along the grain of wood. These splits are not a fault and do not affect the structural integrity of a product.



MOULD & BLUE STAIN

Mould is a surface-dwelling fungus that feeds on the nutrients and debris contained in the surface cells of timber. The most common problems associated with mould are discoloured timber and an increase in permeability of the timber. Blue stain is part of the same family but penetrates deeper into the surface layers of the timber. It stains the timber a dark blue, whereas mould is usually black. These do not cause the timber to rot. Keep the building well ventilated to avoid mould.

Treat your building annually, we advise the application of a high quality preservative that contains a mildewcide.

ADVICE ON FELT HANDLING & USAGE

Roofing felt is flexible at temperatures above 5°C. In cold temperatures extra care must be taken when handling and installing to prevent cracking and damage to the felt. The felt should not be rolled, folded or used in temperatures lower than 5° C. In cold temperatures the felt should be stored above 10°C (indoors) for 24 hours prior to use. Felt must be lifted, not dragged and should be stored on its end on a dry surface.

THE ROOF OF THIS BUILDING IS NOT A LOAD BEARING STRUCTURE

8 TOP TIPS TO ENSURE YOUR SHED IS FULLY WATERPROOF

- 1 MAKE SURE YOU POSITION YOUR SHED IN THE BEST LOCATION IN YOUR GARDEN**
Avoid areas where water pools and is constantly wet. Position away from trees and cut back any overhanging foliage which can cause moisture to be trapped against shed walls and debris to collect on the roof.
- 2 RAISE YOUR SHED OFF THE GROUND**
Ideally any concrete base should be the same footprint as the shed to allow surface water to run off without pooling, a timber shed base can also be used. Raise 50mm above ground level.
- 3 SEAL THE BASE**
We recommend a treatment containing wax or oil, paint the bearers that come into contact with the ground to prevent moisture coming up.
- 4 USE AN END-GRAIN PROTECTOR**
To protect the corners and panel joints, an end grain treatment can be applied.
- 5 SEAL THE PANELS & WINDOWS**
Use a flexible silicone sealant around windows to prevent water ingress. This can also be used where 2 sections of the shed joint together. Apply internally.
- 6 CONSIDER ADDING GUTTERS**
Adding guttering around the fascia of the shed will redirect rain water away from the shed's foundation.
- 7 KEEP VENTILATED**
Good airflow around the perimeter of the shed and regular ventilation inside the shed will help prevent mould and mildew.
- 8 CONSIDER A WEATHERPROOFING STAIN OR CLEAR TREATMENT**
We recommend you paint your garden shed with a weatherproofing treatment at least once a year. This will help maintain the wood, stabilise timber movement and help prolong the life of your shed.



TREATED TIMBER CONTAINING A BIOCIDAL PRODUCT CONTROL OF WOOD DESTROYING ORGANISMS

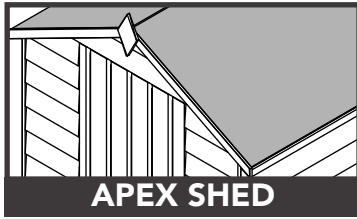
Active Ingredients - Propiconazole, Tebuconazole, IPBC, Permethrine, Benzalkonium chloride. (Dip Treated Sheds)
Basic Copper Carbonate, DDA Carbonate, DDA Chloride (Pressure Treated Sheds)

Wear gloves when handling. Avoid inhalation of sawdust. Do not use in contact with drinking water or food. Do not use for animal bedding or in fish ponds. Dispose of treated wood responsibly.

IDENTIFY YOUR SHED

From the **section layout** below, identify your shed based on the **width** and **depth** dimensions of your shed – eg 7x7. You'll need this to identify the side panel positions.

KEY



A 1ft Panel (295 x 1603mm)

D 3ft Panel (885 x 1603mm)
(With & without windows)

B 1.5ft Panel (442 x 1603mm)

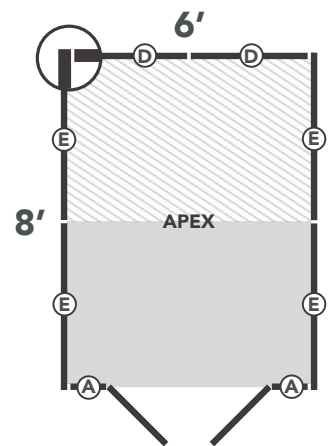
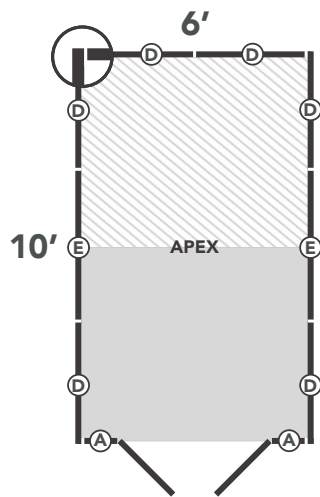
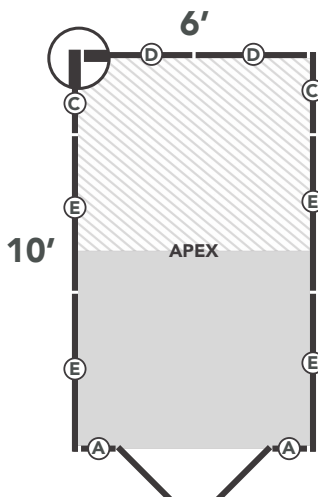
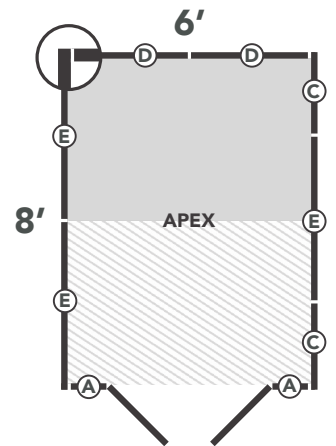
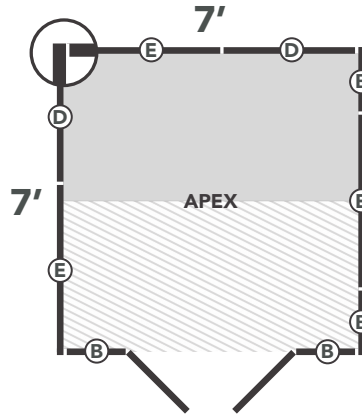
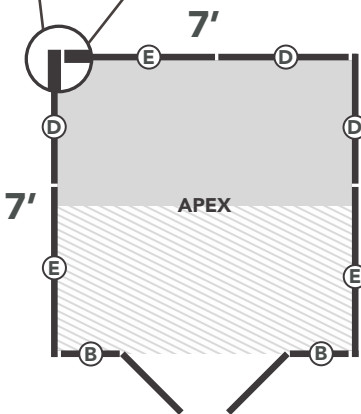
E 4ft Panel (1180 x 1603mm)
(With & without windows)

C 2ft Panel (590 x 1603mm)

PLEASE NOTE
The sheds are made up of multiple sections where same size panels are interchangeable.



Indicates the panel orientation during construction. This will apply to all of the corners for your chosen shed.



1 CONSTRUCTION

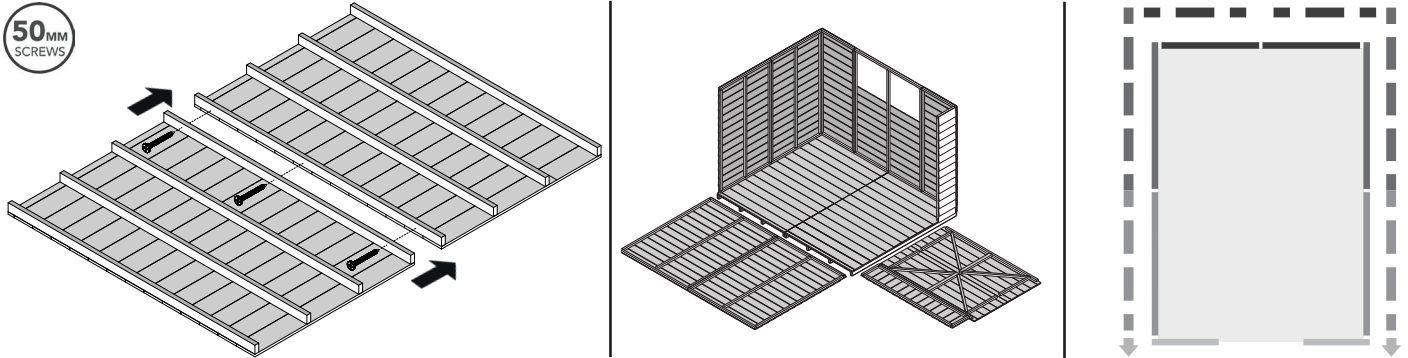
1a FLOORS & SIDES



Position the floor in your desired location. Turn the floors upside down to secure the sections together by screwing through the adjoining bearers.

Layout the panels around your shed base.

We recommend to start in a back corner then work from the back panels to the front panels for assembly.

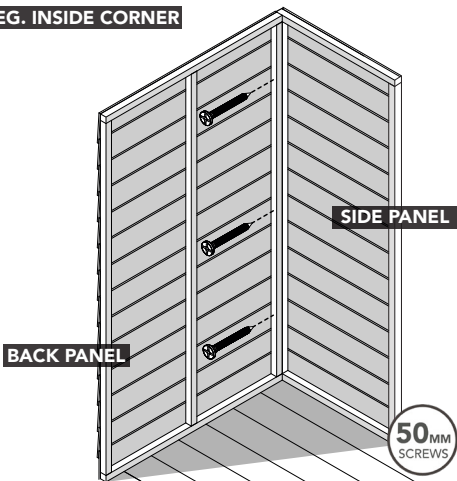


1b Start at a back corner. See the section layout on page 4 to confirm position. Secure the corner as shown below.

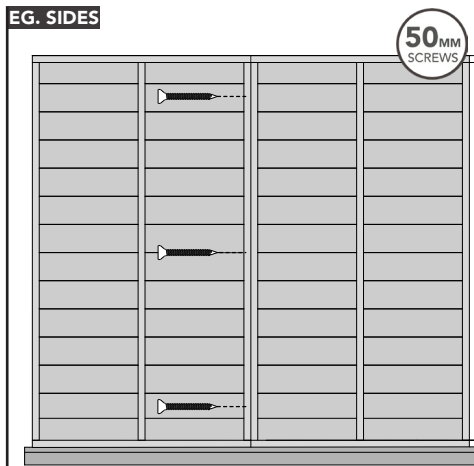
Repeat the process for remaining panels and secure panels together. Make sure that the bottom frame of the wall panel rests on the outer edge of the floor.

Secure the panels into place by screwing into the floor. Screw the door batten down.

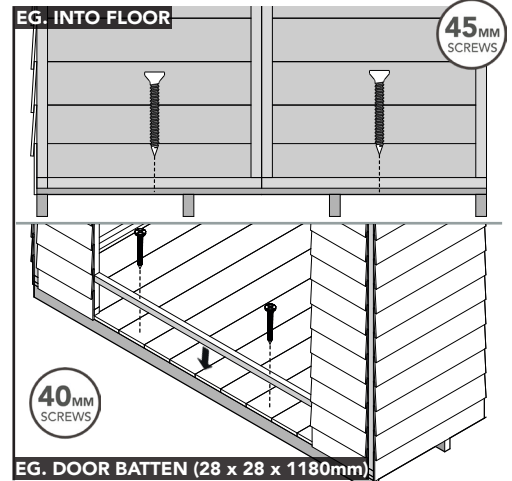
EG. INSIDE CORNER



EG. SIDES

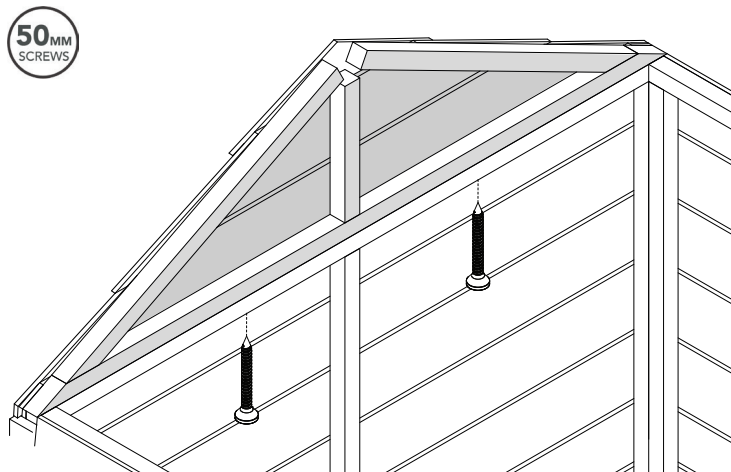


EG. INTO FLOOR

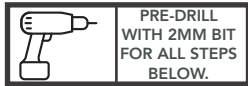


1c

Attach the Apex section by screwing it into the centre of the wall panels and repeat for the other Apex Section.

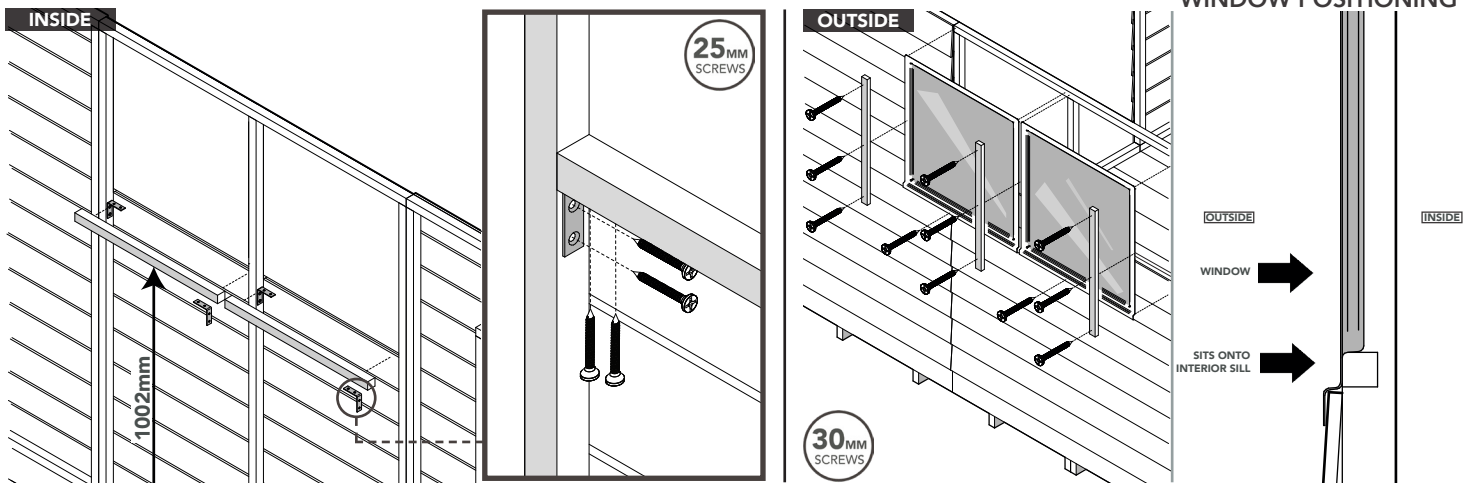


2 WINDOWS



Fix interior sills at the base of windows with L-brackets and screws at a 1002mm distance from the floor. Repeat this for multiple windows, as shown below.

Secure windows by screwing through the window cover strips and window into the panel frame. Screw into the bottom of the window and into the interior sill to keep secure. Make sure the window is centralised for all window frames as shown below.



3 COVER AND DOOR STRIPS

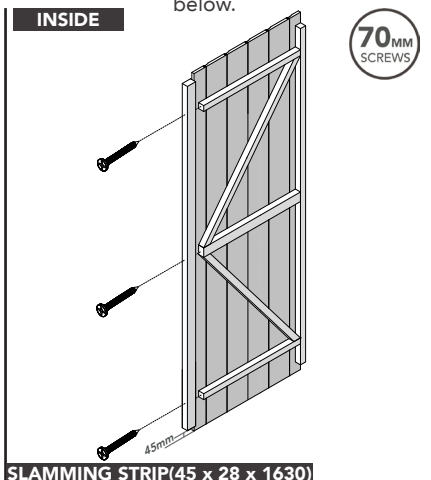
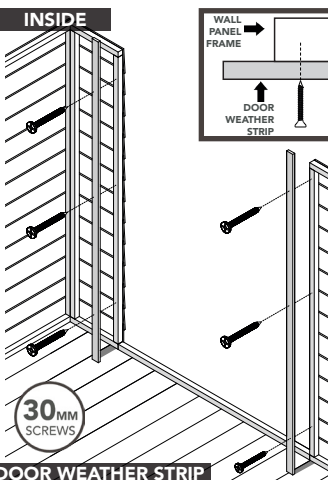
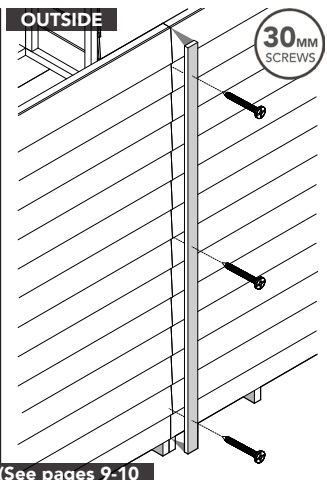
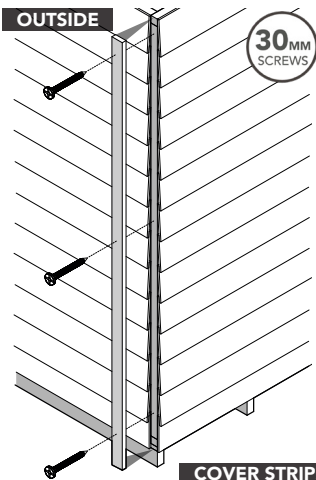


Attach the cover strips onto the corners. Ensuring they are flush to the bottom edge of the panels as shown below.

Attach the cover strips onto the adjoining panels. Ensuring it is flush to the bottom edge of the panels as shown below.

Secure the door weather strips. Ensure it's flush to the floor and against the inside face of the wall panel frame as shown below.

Before attaching the doors, Screw the slamming strip onto the one door. Ensure you screw through the slamming strip into the door framework as shown below.



COVER STRIPS (See pages 9-10 for measurement for chosen shed)

DOOR WEATHER STRIP (38 x 12 x 1710)

SLAMMING STRIP (45 x 28 x 1630)

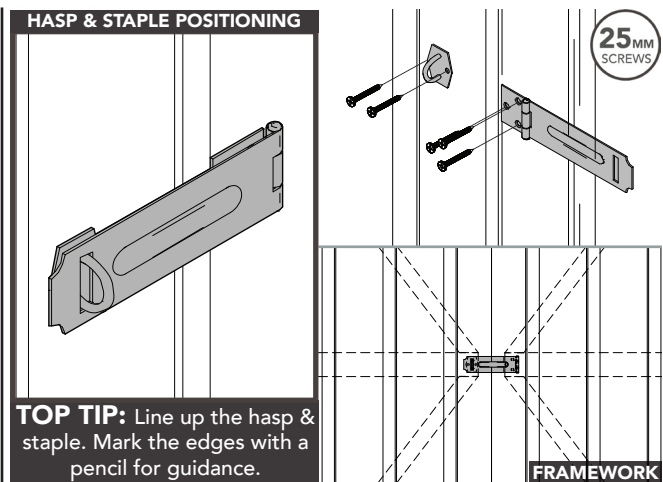
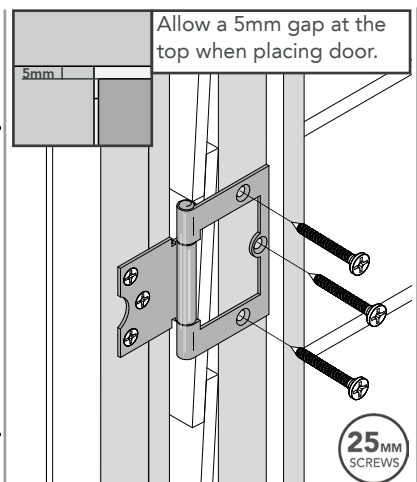
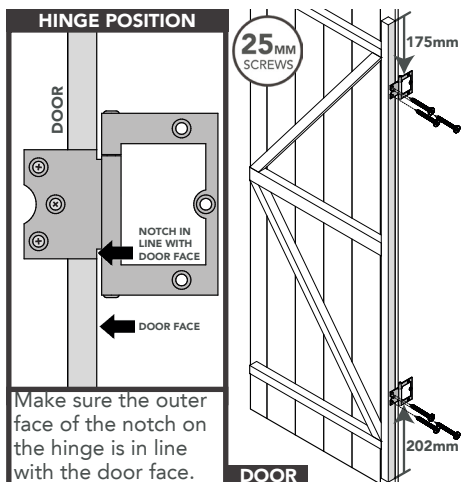
4a DOOR FIXINGS



Attach 2 hinges onto the door frame with the measurements provided. Please take note of the hinge position shown below. Repeat this on the other door.

Place the door into the opening, ensuring it's level. Make sure the hinges are up against the door weather strip face. Repeat this with the other door.

Fix the Hasp and Staple as shown. Ensure the screws go into the framework behind.

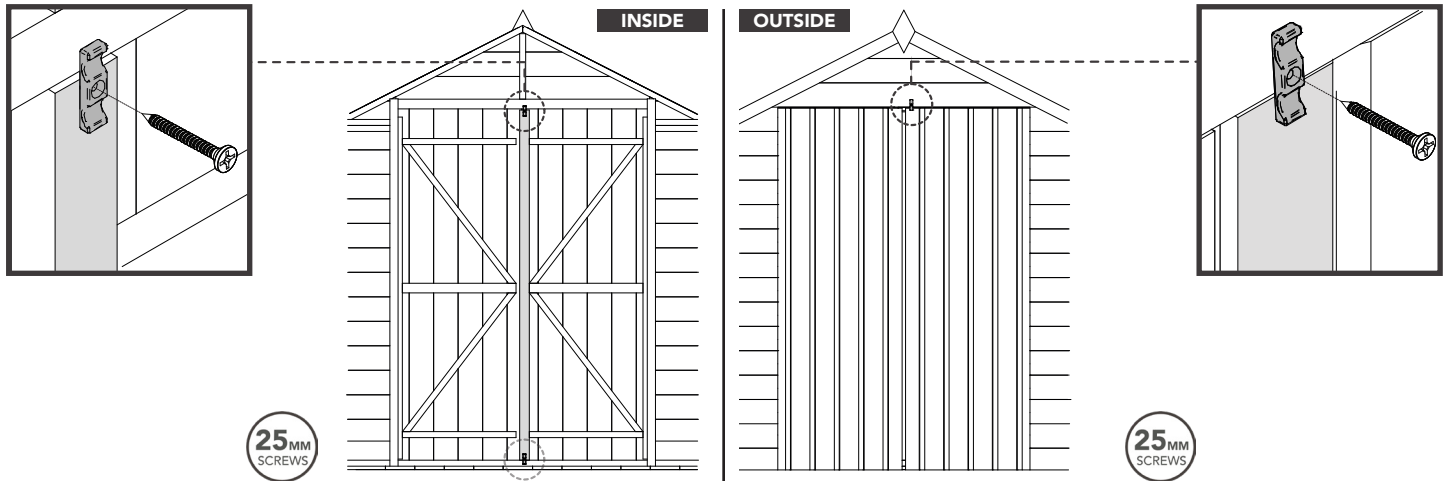


Make sure the outer face of the notch on the hinge is in line with the door face.

TOP TIP: Line up the hasp & staple. Mark the edges with a pencil for guidance.

4b Fix the turn buttons as shown below. Screw one turn button at the top and at the bottom of the slamming strip. Screw into the slamming strip, ensuring it overlaps the frame.

Fix the turn button as shown below. Screw one turn button into the Apex Section, ensuring it overlaps the door. Make sure you screw the turn button above the door that does not have the slamming strip attached to it.



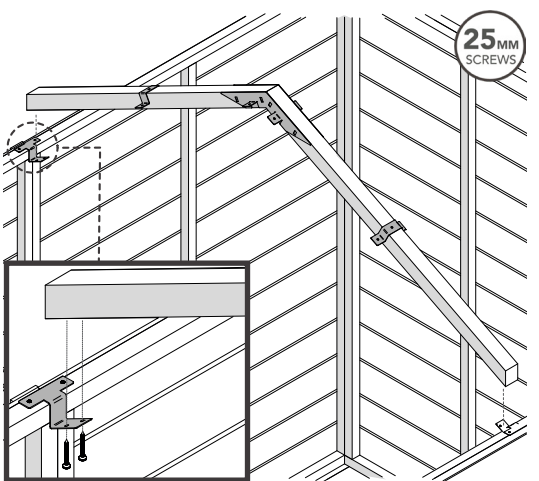
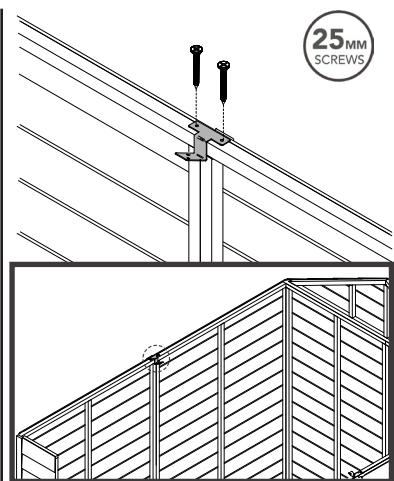
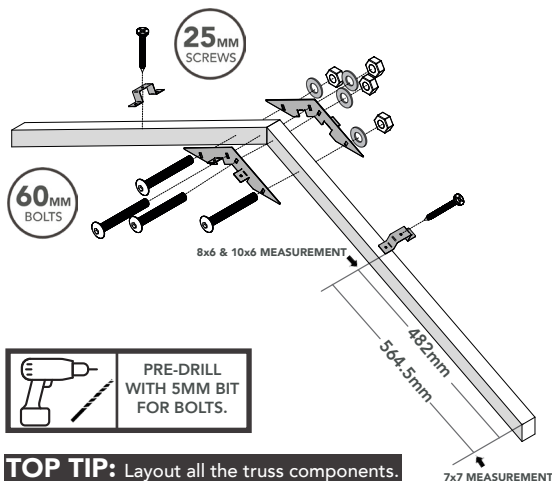
5 ROOF

PRE-DRILL WITH 2MM BIT FOR ALL STEPS BELOW.

5a Assemble the truss and screw the U-brackets into the center of each beam as shown below. Ensure the truss support brackets are added first and flush to the edge of the central beams to establish the correct angle.

Secure the support bracket hanger with screws into the center of your shed. There needs to be one at each side.

Screw the truss to the support bracket hangers. As a result the truss will be centralised inside your shed and facing the Apex sections.



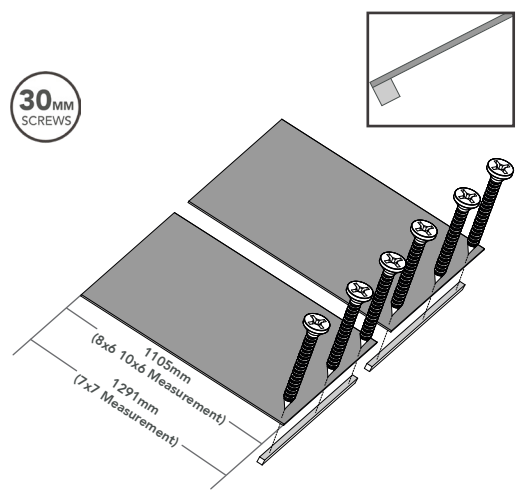
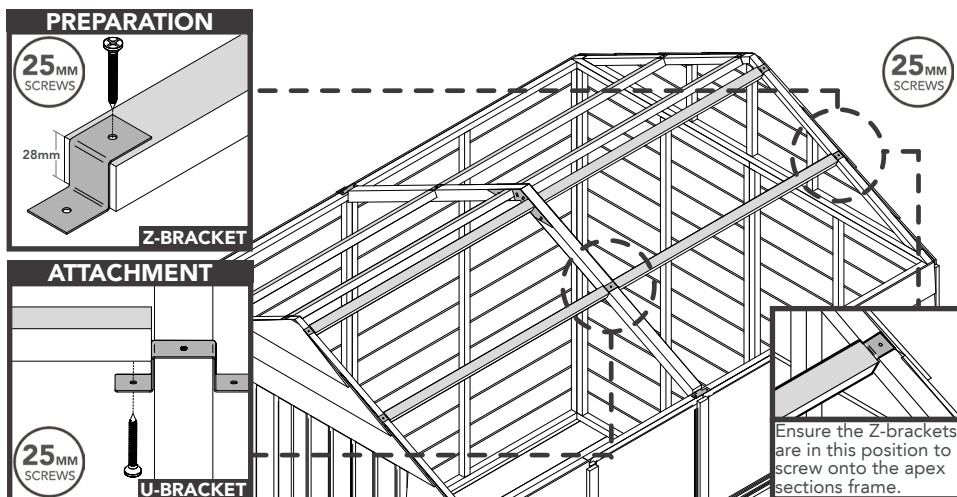
TOP TIP: Layout all the truss components.

5b **PREPARATION:** Attach the Z-brackets onto the face of one end of each beam as shown below. The beam should be flush to the Z-bracket.

ATTACHMENT: Secure the other end of the beams to the U-brackets on the truss by screwing from the underside of the beam.

Screw the Z-brackets that are already attached to beams onto the apex section frame.

Before placing the OSB roof sheets onto the roof, screw the roof support strips along the edge of the OSB roof sheets. Ensuring they are flush to the edges. Add one strip onto each sheet as shown below. The strip will be the same length as one side of the sheet.

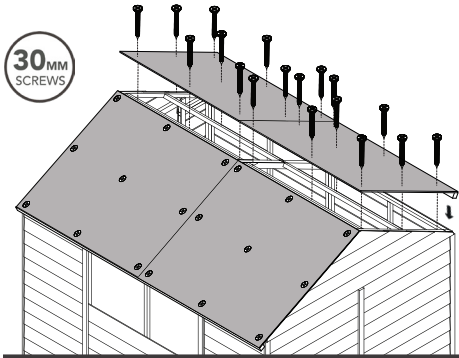


5c

Screw the OSB roof sheets into position as shown below into the shed frame and truss. Ensure the joining of the OSB roof sheets are central on the central beams when placing and screwing down.

Measure out 3 equal lengths and overlap it on the top, around the edges and **fold the corners**; **tack to keep secure**. Ensure 50mm at the bottom and work from the bottom to the top.

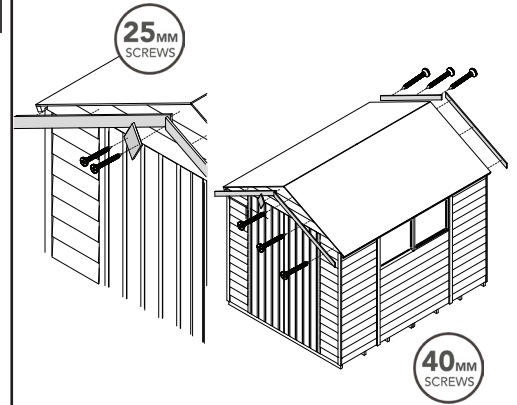
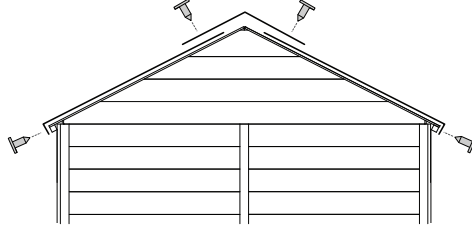
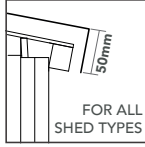
Secure the fascias and the finial with screws as shown below based on your chosen shed.



CAUTION
Ensure you screw into the truss/beams underneath.

TOP TIP: Mark onto the OSB sheet and draw a line to ensure you drill and screw into the truss/beams.

TOP TIP: Use measuring tape to measure out 3 equal lengths & cut with a sharp knife. Hammer the tacks into the felt. Add the tacks at 150mm intervals.



DIP TREATED APEX SHEDS

SELECT YOUR CHOSEN SHED & CHECK YOU HAVE ALL YOUR PARTS.

Overlap Apex 6' x 8' - 2 Windows (ODA68DD2WM)		
Part Code	Description	No.
ODM885PP	Section D - 3ft Panel (885 x 1603mm)	2
ODM295PP	Section A - 1ft Panel (295x 1603mm)	2
ODM1180WP	Section E - 4ft Window Panel (1180x1603mm)	1
ODM1180PP	Section E - 4ft Panel (1180x1603mm)	3
ODAMPEA6	Apex Section - Back	1
ODAMDDDEA6	Apex Section - Door	1
MSDDR	Door	2
MSBFL46	Floor	2
28160550DT	Window Cover Strip (28x16x550mm)	3
28280548DT	Interior Sill (28x28x548mm)	2
28281180DT	Door Batten (28x28x1180mm)	1
28281196	Roof Support Strip (28x28x1196mm)	4
37281124KD	Beam - Truss (37x28x1124mm)	8
38121710PDT	Weather Strip (38x12x1710mm)	2
441615830DT	Cover Strip (44x16x1583mm)	7
452816300DT	Slamming Strip (45x28x1630mm)	1
45451015PAI#63	Central Beam - Truss (45x45x1015mm)	2
59121145PAI#63DT	Fascia (59x12x1145mm)	4
RPET590	Window	2
OSB119611058	OSB Sheet - Roof	4
FIN20010512DT	Finial	1
FELT78BL	Felt	1

Overlap Apex 6' x 8' - 4 Windows (ODA68DD4WMF)		
Part Code	Description	No.
ODM885PP	Section D - 3ft Panel (885 x 1603mm)	2
ODM295PP	Section A - 1ft Panel (295x 1603mm)	2
ODM1180WP	Section E - 4ft Window Panel (1180x1603mm)	2
ODM1180PP	Section E - 4ft Panel (1180x1603mm)	2
ODAMPEA6	Apex Section - Back	1
ODAMDDDEA6	Apex Section - Door	1
MSDDR	Door	2
MSBFL46	Floor	2
28160550DT	Window Cover Strip (28x16x550mm)	6
28280548DT	Interior Sill (28x28x548mm)	4
28281180DT	Door Batten (28x28x1180mm)	1
28281196	Roof Support Strip (28x28x1196mm)	4
37281124KD	Beam - Truss (37x28x1124mm)	8
38121710PDT	Weather Strip (38x12x1710mm)	2
441615830DT	Cover Strip (44x16x1583mm)	7
452816300DT	Slamming Strip (45x28x1630mm)	1
45451015PAI#63	Central Beam - Truss (45x45x1015mm)	2
59121145PAI#63DT	Fascia (59x12x1145mm)	4
RPET590	Window	4
OSB119611058	OSB Sheet - Roof	4
FIN20010512DT	Finial	1
FELT78BL	Felt	1

Overlap Apex 6' x 8' - 2 Windows (ODA68DDM)		
Part Code	Description	No.
ODM885PP	Section D - 3ft Panel (885 x 1603mm)	2
ODM590PP	Section C - 2ft Panel (590 x 1603mm)	2
ODM295PP	Section A - 1ft Panel (295x 1603mm)	2
ODM1180WP	Section E - 4ft Window Panel (1180x1603mm)	1
ODM1180PP	Section E - 4ft Panel (1180x1603mm)	2
ODAMPEA6	Apex Section - Back	1
ODAMDDDEA6	Apex Section - Door	1
MSDDR	Door	2
MSBFL46	Floor	2
28160550DT	Window Cover Strip (28x16x550mm)	3
28280548DT	Interior Sill (28x28x548mm)	2
28281180DT	Door Batten (28x28x1180mm)	1
28281196	Roof Support Strip (28x28x1196mm)	4
37281124KD	Beam - Truss (37x28x1124mm)	8
38121710PDT	Weather Strip (38x12x1710mm)	2
441615830DT	Cover Strip (44x16x1583mm)	8
452816300DT	Slamming Strip (45x28x1630mm)	1
45451015PAI#63	Central Beam - Truss (45x45x1015mm)	2
59121145PAI#63DT	Fascia (59x12x1145mm)	2
RPET590	Window	4
OSB119611058	OSB Sheet - Roof	4
FIN20010512DT	Finial	1
FELT78BL	Felt	1

Shiplap 6' x 8' - 2 Windows (SDA68DDM)		
Part Code	Description	No.
SDM885PP	Section D - 3ft Panel (885 x 1603mm)	2
SDM590PP	Section C - 2ft Panel (590 x 1603mm)	2
SDM295PP	Section A - 1ft Panel (295x 1603mm)	2
SDM1180WP	Section E - 4ft Window Panel (1180x1603mm)	1
SDM1180PP	Section E - 4ft Panel (1180x1603mm)	2
SDAMPEA6	Apex Section - Back	1
SDAMDDDEA6	Apex Section - Door	1
MSDDR	Door	2
MSBFL46	Floor	2
28120550PDT	Window Cover Strip (28x12x550mm)	3
28280548DT	Interior Sill (28x28x548mm)	2
28281180DT	Door Batten (28x28x1180mm)	1
28281196	Roof Support Strip (28x28x1196mm)	4
37281124KD	Beam - Truss (37x28x1124mm)	8
38121710PDT	Weather Strip (38x12x1710mm)	2
40121583PDT	Cover Strip (40x12x1583mm)	8
45451015PAI#63	Central Beam - Truss (45x45x1015mm)	2
452816300DT	Slamming Strip (45x28x1630mm)	1
59121145PAI#63DT	Fascia (59x12x1145mm)	4
RPET590	Window	2
OSB119611058	OSB Sheet - Roof	4
FIN20010512DT	Finial	1
85014	Felt	1

Overlap Apex 6' x 8' - No Windows (ODA68DDNWM)		
Part Code	Description	No.
ODM885PP	Section D - 3ft Panel (885 x 1603mm)	2
ODM295PP	Section A - 1ft Panel (295x 1603mm)	2
ODM1180PP	Section E - 4ft Panel (1180x1603mm)	4
ODAMPEA6	Apex Section - Back	1
ODAMDDDEA6	Apex Section - Door	1
MSDDR	Door	2
MSBFL46	Floor	2
28281180DT	Door Batten (28x28x1180mm)	1
28281196	Roof Support Strip (28x28x1196mm)	4
37281124KD	Beam - Truss (37x28x1124mm)	8
38121710PDT	Weather Strip (38x12x1710mm)	2
441615830DT	Cover Strip (44x16x1583mm)	7
452816300DT	Slamming Strip (45x28x1630mm)	1
45451015PAI#63	Central Beam - Truss (45x45x1015mm)	2
59121145PAI#63DT	Fascia (59x12x1145mm)	4
OSB119611058	OSB Sheet - Roof	4
FIN20010512DT	Finial	1
FELT78BL	Felt	1

Overlap Apex 7' x 7' - No Windows (ODA77DDNWM)		
Part Code	Description	No.
ODM885PP	Section D - 3ft Panel (885 x 1603mm)	3
ODM442PP	Section B - 1.5ft Panel (442 x 1603mm)	2
ODM1180PP	Section E - 4ft Panel (1180x1603mm)	3
ODAMPEA7	Apex Section - Back	1
ODAMDDDEA7	Apex Section - Door	1
MSDDR	Door	2
MSBFL37	Floor	2
28281049	Roof Support Strip (28x28x1049mm)	2
28281180DT	Door Batten (28x28x1180mm)	1
37280978KD	Beam - Truss (37x28x978mm)	8
38121710PDT	Weather Strip (38x12x1710mm)	1
441615830DT	Cover Strip (44x16x1583mm)	7
452816300DT	Slamming Strip (45x28x1630mm)	1
45451180PAI#63	Central Beam - Truss (45x45x1180mm)	2
59121331PAI#63DT	Fascia (59x12x1331mm)	4
OSB129110498	OSB Sheet - Roof	4
FIN20010512DT	Finial	1
FELT78BL	Felt	1

Overlap Apex 7' x 7' - 2 Windows (ODA77DD2WM)		
Part Code	Description	No.
ODM885PP	Section D - 3ft Panel (885 x 1603mm)	3
ODM442PP	Section B - 1.5ft Panel (442 x 1603mm)	2
ODM1180WP	Section E - 4ft Window Panel (1180x1603mm)	1
ODM1180PP	Section E - 4ft Panel (1180x1603mm)	2
ODAMPEA7	Apex Section - Back	1
ODAMDDDEA7	Apex Section - Door	1
MSDDR	Door	2
MSBFL37	Floor	2
28160550DT	Window Cover Strip (28x16x550mm)	3
28280548DT	Interior Sill (28x28x548mm)	2
28281049	Roof Support Strip (28x28x1049mm)	4
28281180DT	Door Batten (28x28x1180mm)	1
37280978KD	Beam - Truss (37x28x978mm)	8
38121710PDT	Weather Strip (38x12x1710mm)	2
441615830DT	Cover Strip (44x16x1583mm)	7
452816300DT	Slamming Strip (45x28x1630mm)	1
45451180PAI#63	Central Beam - Truss (45x45x1180mm)	2
59121331PAI#63DT	Fascia (59x12x1331mm)	4
RPET590	Window	2
OSB129110498	OSB Sheet - Roof	4
FIN20010512DT	Finial	1
FELT78BL	Felt	1

Overlap Apex 7' x 7' - 2 Windows (ODA77DDM)		
Part Code	Description	No.
ODM885PP	Section D - 3ft Panel (885 x 1603mm)	2
ODM442PP	Section B - 1.5ft Panel (442 x 1603mm)	4
ODM1180WP	Section E - 4ft Window Panel (1180x1603mm)	1
ODM1180PP	Section E - 4ft Panel (1180x1603mm)	2
ODAMPEA7	Apex Section - Back	1
ODAMDDDEA7	Apex Section - Door	1
MSDDR	Door	2
MSBFL37	Floor	2
28160550DT	Window Cover Strip (28x16x550mm)	3
28280548DT	Interior Sill (28x28x548mm)	2
28281049	Roof Support Strip (28x28x1049mm)	4
28281180DT	Door Batten (28x28x1180mm)	1
37280978KD	Beam - Truss (37x28x978mm)	8
38121710PDT	Weather Strip (38x12x1710mm)	2
441615830DT	Cover Strip (44x16x1583mm)	8
452816300DT	Slamming Strip (45x28x1630mm)	1
45451180PAI#63	Central Beam - Truss (45x45x1180mm)	2
59121331PAI#63DT	Fascia (59x12x1331mm)	4
RPET590	Window	2
OSB129110498	OSB Sheet - Roof	4
FIN20010512DT	Finial	1
FELT78BL	Felt	1

Overlap Apex 6' x 10' - 4 Windows (ODA610DDM)		
Part Code	Description	No.
ODM885PP	Section D - 3ft Panel (885 x 1603mm)	2
ODM590PP	Section C - 2ft Panel (590 x 1603mm)	2
ODM295PP	Section A - 1ft Panel (295x 1603mm)	2
ODM1180WP	Section E - 4ft Window Panel (1180x1603mm)	2
ODM1180PP	Section E - 4ft Panel (1180x1603mm)	2
ODAMPEA6	Apex Section - Back	1
ODAMDDDEA6	Apex Section - Door	1
MSDDR	Door	2
MSBFL56	Floor	2
28160550DT	Window Cover Strip (28x16x550mm)	6
28280548DT	Interior Sill (28x28x548mm)	4
28281180DT	Door Batten (28x28x1180mm)	1
28281491	Roof Support Strip (28x28x1491mm)	4
37281421KD	Beam - Truss (37x28x1421mm)	8
38121710PDT	Weather Strip (38x12x1710mm)	2
441615830DT	Cover Strip (44x16x1583mm)	9
452816300DT	Slamming Strip (45x28x1630mm)	1
45451015PAI#63	Central Beam - Truss (45x45x1015mm)	2
59121145PAI#63DT	Fascia (59x12x1145mm)	4
RPET590	Window	4
OSB149111058	OSB Sheet - Roof	4
FIN20010512DT	Finial	1
85052	Felt	1

Overlap Apex 6' x 10' - No Windows (ODA610DDNWM)		
Part Code	Description	No.
ODM885PP	Section D - 3ft Panel (885 x 1603mm)	6
ODM295PP	Section A - 1ft Panel (295x 1603mm)	2
ODM1180PP	Section E - 4ft Panel (1180x1603mm)	2
ODAMPEA6	Apex Section - Back	1
ODAMDDDEA6	Apex Section - Door	1
MSDDR	Door	2
MSBFL56	Floor	2
28281180DT	Door Batten (28x28x1180mm)	1
28281491	Roof Support Strip (28x28x1491mm)	4
37281421KD	Beam - Truss (37x28x1421mm)	8
38121710PDT	Weather Strip (38x12x1710mm)	2
441615830DT	Cover Strip (44x16x1583mm)	9
452816300DT	Slamming Strip (45x28x1630mm)	1
45451015PAI#63	Central Beam - Truss (45x45x1015mm)	2
59121145PAI#63DT	Fascia (59x12x1145mm)	4
OSB149111058	OSB Sheet - Roof	4
FIN20010512DT	Finial	1
FELT78BL	Felt	1

(The parts do not have codes on them. They are listed above should you need to order one.)

PRESSURE TREATED APEX SHEDS

SELECT YOUR CHOSEN SHED & CHECK YOU HAVE ALL YOUR PARTS.

Overlap Apex 6' x 8' - 2 Windows (OPA68DD2WM)			Overlap Apex 6' x 8' - 4 Windows (OPA68DD4WMF)			Overlap Apex 6' x 8' - 2 Windows (OPA68DDM)			Overlap Apex 6' x 8' - No Windows (OPA68DDNWM)			Overlap Apex 7' x 7' - No Windows (OPA77DDNWM)		
Part Code	Description	No.	Part Code	Description	No.	Part Code	Description	No.	Part Code	Description	No.	Part Code	Description	No.
OPM85SPP	Section D - 3ft Panel (885 x 1603mm)	2	OPM85SPP	Section D - 3ft Panel (885 x 1603mm)	2	OPM85SPP	Section D - 3ft Panel (885 x 1603mm)	2	OPM85SPP	Section D - 3ft Panel (885 x 1603mm)	2	OPM85SPP	Section D - 3ft Panel (885 x 1603mm)	3
OPM295SPP	Section A - 1ft Panel (295x 1603mm)	2	OPM295SPP	Section A - 1ft Panel (295x 1603mm)	2	OPM590SPP	Section C - 2ft Panel (590 x 1603mm)	2	OPM295SPP	Section A - 1ft Panel (295x 1603mm)	2	OPM442PP	Section B -1.5ft Panel (442 x 1603mm)	2
OPM1180WP	Section E - 4ft Window Panel (1180x1603mm)	1	OPM1180WP	Section E - 4ft Window Panel (1180x1603mm)	2	OPM295SPP	Section A - 1ft Panel (295x 1603mm)	2	OPM1180PP	Section E - 4ft Panel (1180x1603mm)	4	OPM1180PP	Section E - 4ft Panel (1180x1603mm)	3
OPM1180PP	Section E - 4ft Panel (1180x1603mm)	3	OPM1180PP	Section E - 4ft Panel (1180x1603mm)	2	OPM1180WP	Section E - 4ft Window Panel (1180x1603mm)	1	OPAMPEA6	Apex Section - Back	1	OPAMPEA7	Apex Section - Back	1
OPAMPEA6	Apex Section - Back	1	OPAMPEA6	Apex Section - Back	1	OPM1180PP	Section E - 4ft Panel (1180x1603mm)	2	OPAMDDDEA6	Apex Section - Door	1	OPAMDDDEA7	Apex Section - Door	1
OPAMDDDEA6	Apex Section - Door	1	OPAMDDDEA6	Apex Section - Door	1	OPAMPEA6	Apex Section - Back	1	MSPDR	Door	2	MSPDR	Door	2
MSPDR	Door	2	MSPDR	Door	2	OPAMDDDEA6	Apex Section - Door	1	MSBFL46	Floor	2	MSBFL37	Floor	2
MSBFL46	Floor	2	MSBFL46	Floor	2	MSPDR	Door	2	28281180PT	Door Batten (28x28x1180mm)	1	28281049	Roof Support Strip (28x28x1049mm)	4
2816055OPT	Window Cover Strip (28x16x550mm)	3	2816055OPT	Window Cover Strip (28x16x550mm)	6	MSBFL46	Floor	2	28281196	Roof Support Strip (28x28x1196mm)	4	28281180PT	Door Batten (28x28x1180mm)	1
28280548PT	Interior Sill (28x28x548mm)	2	28280548PT	Interior Sill (28x28x548mm)	4	2816055OPT	Window Cover Strip (28x16x550mm)	3	37281124KD	Beam - Truss (37x28x1124mm)	8	37280978KD	Beam - Truss (37x28x978mm)	8
28281180PT	Door Batten (28x28x1180mm)	1	28281180PT	Door Batten (28x28x1180mm)	1	MSBFL46	Floor	2	38121710PPT	Weather Strip (38x12x1710mm)	2	38121710PPT	Weather Strip (38x12x1710mm)	1
28281196	Roof Support Strip (28x28x1196mm)	4	28281196	Roof Support Strip (28x28x1196mm)	4	2816055OPT	Window Cover Strip (28x16x550mm)	3	44161583PT	Cover Strip (44x16x1583mm)	7	44161583PT	Cover Strip (44x16x1583mm)	7
37281124KD	Beam - Truss (37x28x1124mm)	8	37281124KD	Beam - Truss (37x28x1124mm)	8	28280548PT	Interior Sill (28x28x548mm)	2	45281630PT	Slamming Strip (45x28x1630mm)	1	45281630PT	Slamming Strip (45x28x1630mm)	1
38121710PPT	Weather Strip (38x12x1710mm)	2	38121710PPT	Weather Strip (38x12x1710mm)	2	28281180PT	Door Batten (28x28x1180mm)	1	45451015PAI#63	Central Beam - Truss (45x45x1015mm)	2	45451180PAI#63	Central Beam - Truss (45x45x1180mm)	2
44161583PT	Cover Strip (44x16x1583mm)	7	44161583PT	Cover Strip (44x16x1583mm)	7	28281196	Roof Support Strip (28x28x1196mm)	4	59121145SPA#63PT	Fascia (59x12x1145mm)	4	59121331PAI#63PT	Fascia (59x12x1331mm)	4
45281630PT	Slamming Strip (45x28x1630mm)	1	45281630PT	Slamming Strip (45x28x1630mm)	1	37281124KD	Beam - Truss (37x28x1124mm)	8	5912145SPA#63PT	Fascia (59x12x145mm)	4	OSB129110498	OSB Sheet - Roof	4
45451015PAI#63	Central Beam - Truss (45x45x1015mm)	2	45451015PAI#63	Central Beam - Truss (45x45x1015mm)	2	38121710PPT	Weather Strip (38x12x1710mm)	2	OSB119611058	OSB Sheet - Roof	4	OSB129110498	OSB Sheet - Roof	4
59121145SPA#63PT	Fascia (59x12x1145mm)	4	59121145SPA#63PT	Fascia (59x12x1145mm)	4	44161583PT	Cover Strip (44x16x1583mm)	8	FIN20010512PT	Finial	1	FIN20010512PT	Finial	1
RPET590	Window	2	RPET590	Window	4	45281630PT	Slamming Strip (45x28x1630mm)	1	FELT78BL	Felt	1	FELT78BL	Felt	1
OSB119611058	OSB Sheet - Roof	4	OSB119611058	OSB Sheet - Roof	4	45451015PAI#63	Central Beam - Truss (45x45x1015mm)	2						
FIN20010512PT	Finial	1	FIN20010512PT	Finial	1	59121145SPA#63PT	Fascia (59x12x1145mm)	4						
FELT78BL	Felt	1	FELT78BL	Felt	1	RPET590	Window	2						
						OSB119611058	OSB Sheet - Roof	4						
						FIN20010512PT	Finial	1						
						FELT78BL	Felt	1						

Overlap Apex 7' x 7' - 2 Windows (OPA77DD2WM)			Overlap Apex 7' x 7' - 2 Windows (OPA77DDM)			Overlap Apex 6' x 10' - 4 Windows (OPA610DDM)			Overlap Apex 6' x 10' - No Windows (OPA610DDNWM)		
Part Code	Description	No.	Part Code	Description	No.	Part Code	Description	No.	Part Code	Description	No.
OPM85SPP	Section D - 3ft Panel (885 x 1603mm)	3	OPM85SPP	Section D - 3ft Panel (885 x 1603mm)	2	OPM85SPP	Section D - 3ft Panel (885 x 1603mm)	2	OPM85SPP	Section D - 3ft Panel (885 x 1603mm)	6
OPM442PP	Section B -1.5ft Panel (442 x 1603mm)	2	OPM442PP	Section B -1.5ft Panel (442 x 1603mm)	4	OPM590SPP	Section C - 2ft Panel (590 x 1603mm)	2	OPM295SPP	Section A - 1ft Panel (295x 1603mm)	2
OPM1180WP	Section E - 4ft Window Panel (1180x1603mm)	1	OPM1180WP	Section E - 4ft Window Panel (1180x1603mm)	1	OPM295SPP	Section A - 1ft Panel (295x 1603mm)	2	OPM1180PP	Section E - 4ft Panel (1180x1603mm)	2
OPM1180PP	Section E - 4ft Panel (1180x1603mm)	2	OPM1180PP	Section E - 4ft Panel (1180x1603mm)	2	OPM1180WP	Section E - 4ft Window Panel (1180x1603mm)	2	OPAMPEA6	Apex Section - Back	1
OPAMPEA7	Apex Section - Back	1	OPAMPEA7	Apex Section - Back	1	OPM1180PP	Section E - 4ft Panel (1180x1603mm)	2	OPAMDDDEA6	Apex Section - Door	1
OPAMDDDEA7	Apex Section - Door	1	OPAMDDDEA7	Apex Section - Door	1	OPAMPEA6	Apex Section - Back	1	MSPDR	Door	2
MSPDR	Door	2	MSPDR	Door	2	OPAMDDDEA6	Apex Section - Door	1	MSBFL56	Floor	2
MSBFL37	Floor	2	MSBFL37	Floor	2	MSPDR	Door	2	28281180PT	Door Batten (28x28x1180mm)	1
2816055OPT	Window Cover Strip (28x16x550mm)	3	2816055OPT	Window Cover Strip (28x16x550mm)	3	MSBFL56	Floor	2	28281491	Roof Support Strip (28x28x1491mm)	4
28280548PT	Interior Sill (28x28x548mm)	2	28280548PT	Interior Sill (28x28x548mm)	2	2816055OPT	Window Cover Strip (28x16x550mm)	6	37281421KD	Beam - Truss (37x28x1421mm)	8
28281049	Roof Support Strip (28x28x1049mm)	4	28281049	Roof Support Strip (28x28x1049mm)	4	28280548PT	Interior Sill (28x28x548mm)	4	38121710PPT	Weather Strip (38x12x1710mm)	2
28281180PT	Door Batten (28x28x1180mm)	1	28281180PT	Door Batten (28x28x1180mm)	1	28281180PT	Door Batten (28x28x1180mm)	1	44161583PT	Cover Strip (44x16x1583mm)	9
37280978KD	Beam - Truss (37x28x978mm)	8	37280978KD	Beam - Truss (37x28x978mm)	8	28281491	Roof Support Strip (28x28x1491mm)	4	45281630PT	Slamming Strip (45x28x1630mm)	1
38121710PPT	Weather Strip (38x12x1710mm)	2	38121710PPT	Weather Strip (38x12x1710mm)	2	37281421KD	Beam - Truss (37x28x1421mm)	8	45451015PAI#63	Central Beam - Truss (45x45x1015mm)	2
44161583PT	Cover Strip (44x16x1583mm)	7	44161583PT	Cover Strip (44x16x1583mm)	8	38121710PPT	Weather Strip (38x12x1710mm)	2	59121145SPA#63PT	Fascia (59x12x1145mm)	4
45281630PT	Slamming Strip (45x28x1630mm)	1	45281630PT	Slamming Strip (45x28x1630mm)	1	44161583PT	Cover Strip (44x16x1583mm)	9	OSB149111058	OSB Sheet - Roof	4
45451180PAI#63	Central Beam - Truss (45x45x1180mm)	2	45451180PAI#63	Central Beam - Truss (45x45x1180mm)	2	45281630PT	Slamming Strip (45x28x1630mm)	1	FIN20010512PT	Finial	1
59121331PAI#63PT	Fascia (59x12x1331mm)	4	59121331PAI#63PT	Fascia (59x12x1331mm)	4	45451015PAI#63	Central Beam - Truss (45x45x1015mm)	2	85052	Felt	1
RPET590	Window	2	RPET590	Window	2	59121145SPA#63PT	Fascia (59x12x1145mm)	4			
OSB129110498	OSB Sheet - Roof	4	OSB129110498	OSB Sheet - Roof	4	RPET590	Window	4			
FIN20010512PT	Finial	1	FIN20010512PT	Finial	1	OSB149111058	OSB Sheet - Roof	4			
FELT78BL	Felt	1	FELT78BL	Felt	1	FIN20010512PT	Finial	1			
						FELT78BL	Felt	1			

(The parts do not have codes on them. They are listed above should you need to order one.)