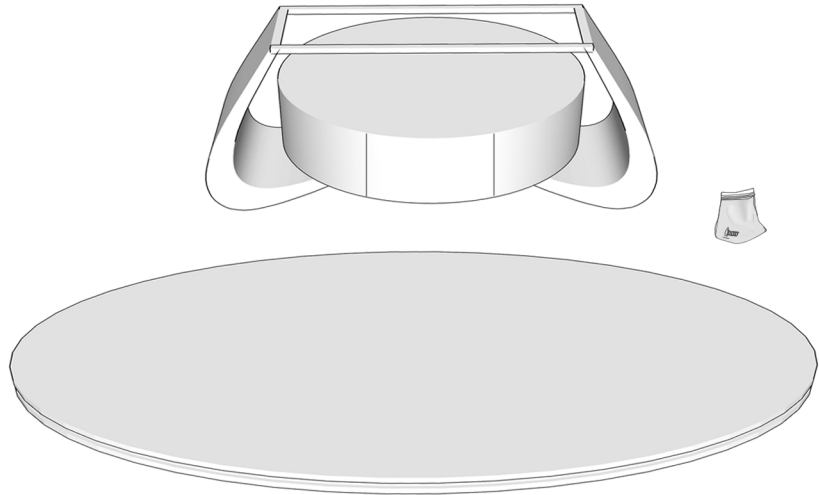
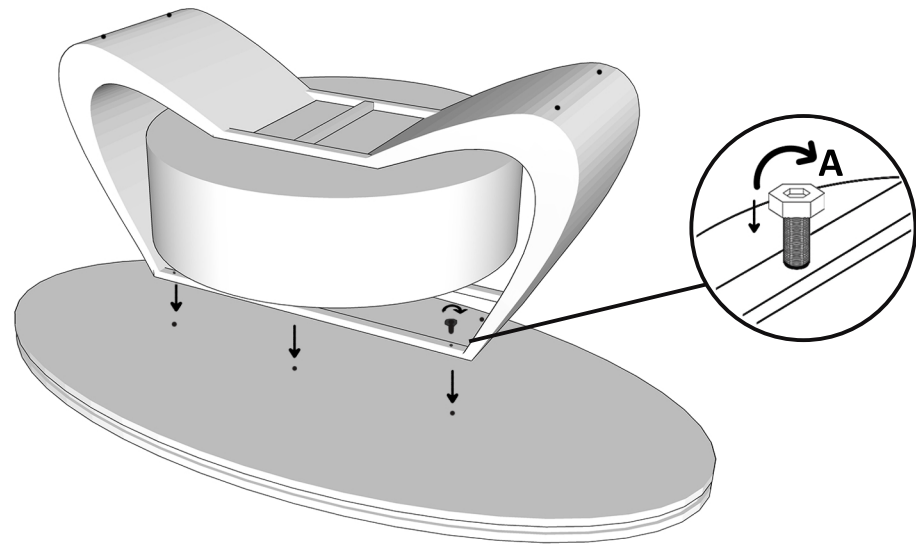
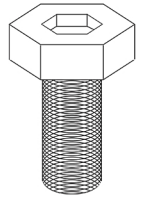
 TIP: Please only remove the protective cotton around the drawer after installation is completed.



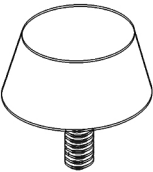
Turn the base over and lift it up.



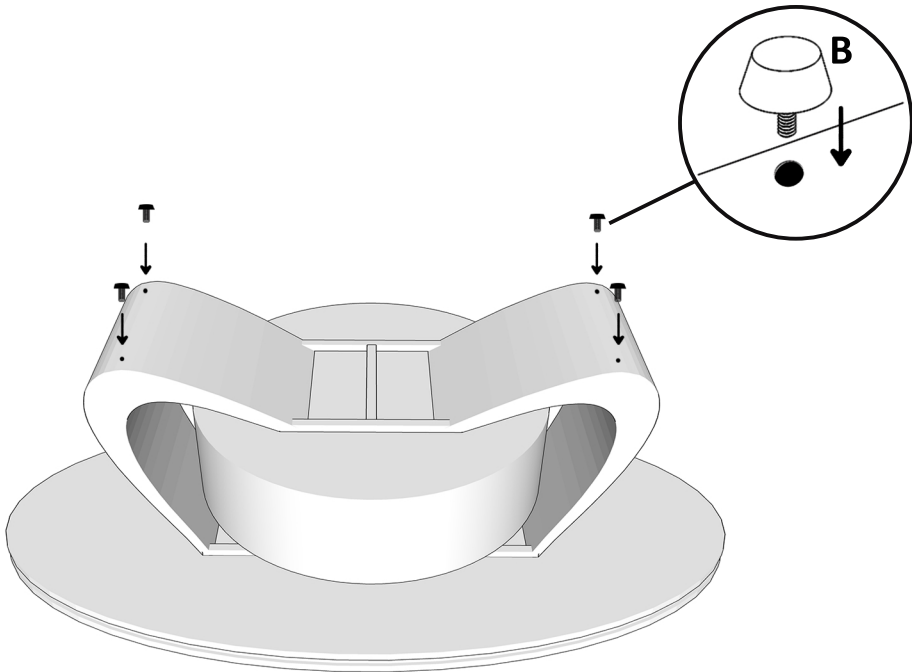
Turn the metal foot over and align the 6 holes of the metal bracket with the 6 holes on the table. Then insert the screws into the holes and tighten them with the L-shaped wrench.



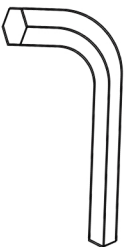
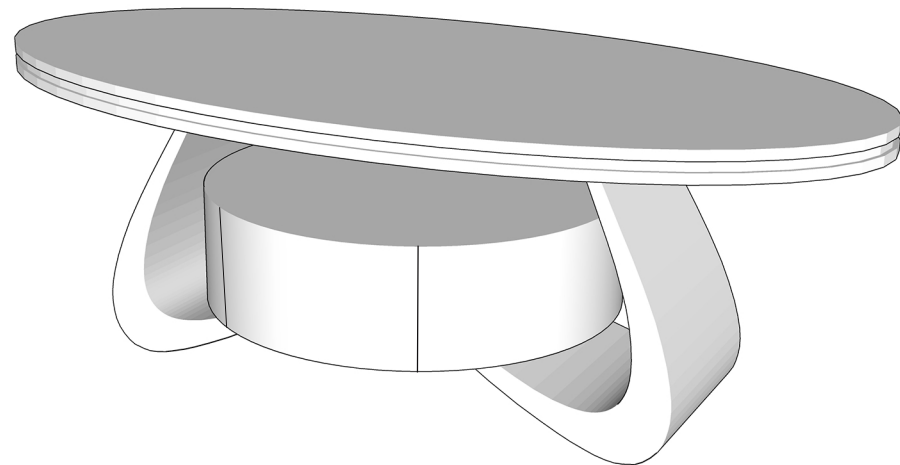
**A X6**



**B X4**



Install the anti-scratch feet.



**X1**