

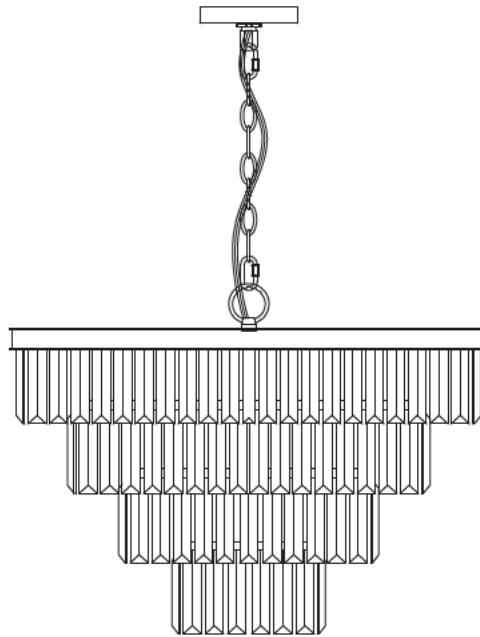
ASSEMBLY AND INSTALLATION INSTRUCTIONS

WARNING: TO AVOID RISK OF ELECTRICAL SHOCK, BE SURE TO SHUT OFF POWER WHILE INSTALLING OR SERVICING THIS FIXTURE.

NOTES:

1. Before installing, consult local electrical codes for wiring and grounding requirements.
2. Read and save these instructions.
3. Always switch off the electricity supply and allow to cool for 10 minutes before changing the light bulbs.

6-LIGHT CHANDELIER



TOOLS REQUIRED



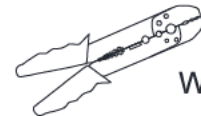
Flathead
Screwdriver



Phillips
Screwdriver



Ladder



Wire Strippers



Pliers



Electrical
Tape



Wire Cutters



Safety Glasses

PREPARATION

Before beginning assembly of product, make sure all parts are present. Compare parts with package contents list and hardware contents list. If any part is missing or damaged, do not attempt to assemble the product. When the lamp is not installed finish, please don't throw away the package, so as not to leave the parts in the package.

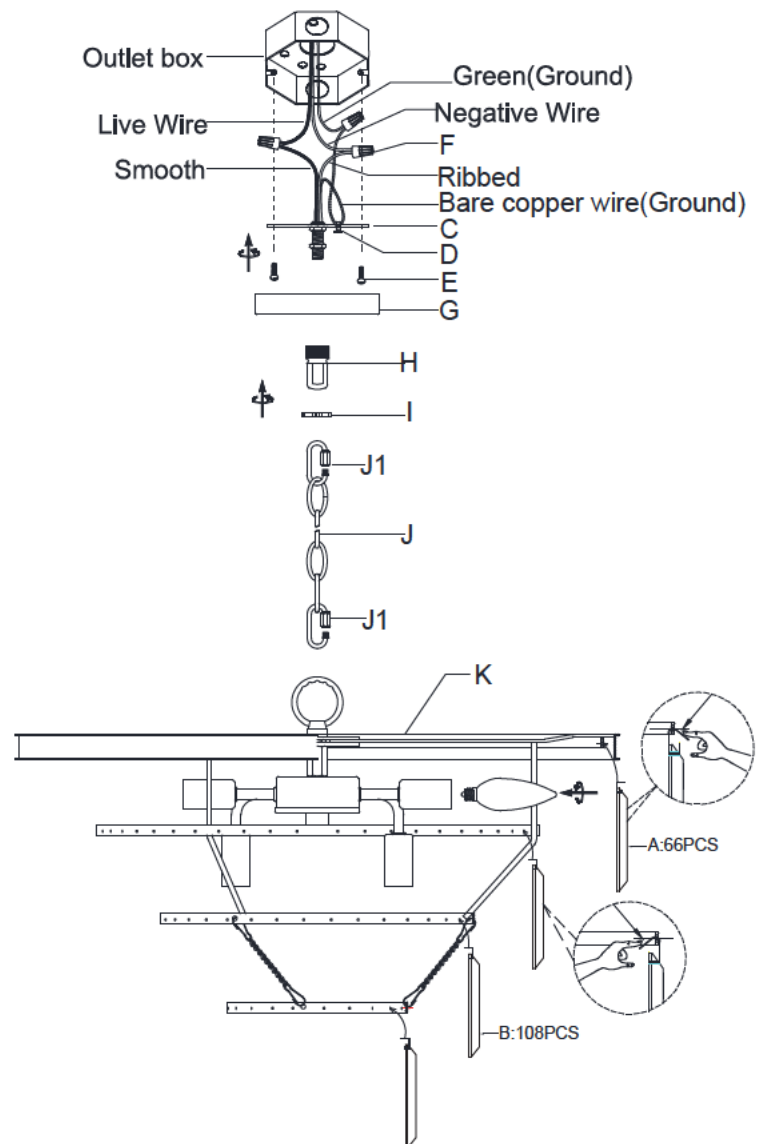
PART LIST AND HARDWARE LIST

PIECE	DESCRIPTION	QUANTITY
A	Crystal	66
B	Crystal	108
C	Mounting bracket	1
D	Green ground screw	1
E	Outlet box screw	2
F	Wire nut	3

PIECE	DESCRIPTION	QUANTITY
G	Canopy	1
H	Collar loop	1
I	Canopy ring	1
J	Chain	1
K	Fixture body	1

INSTALLATION

1. Attach the mounting bracket (C) to the junction box with outlet box screw(E).
2. Attach the collar loop (H) to the mounting bracket (C).
3. Attach chain (J) through the canopy ring (I) and canopy (G) in turn, attach the end of the chain (J) to Fixture body (K) and attach the other end of the chain (J) to Collar loop (H) with chain link (J1).
4. Attach the supply circuit ground wire (green or bare copper wire) to the the fixture ground wire,black to (smooth) and white to (ribbed).
5. Attach the canopy (G) through the collar loop (H) to the mounting bracket (C) with canopy ring (I).
6. Install the 60W MAX type B10 bulbs (not included) into each socket.
7. Carefully hook each crystal (A) and (B) through a hole on the fixture body (K).



Thanks for using this product!