

INSTRUCTION MANUAL ENCLOSED

ATTENTION

IF YOU HAVE ANY PROBLEMS OR QUESTIONS, EMAIL OR CALL CUSTOMER SERVICE BEFORE YOU RETURN THIS PRODUCT TO THE STORE WHERE IT WAS PURCHASED.

For Customer Service:

USA: Email: support@orderhelp.com /Call: 1-877-897-1222

CANADA: Email: sirio@orderhelp.com / www.sirio.ca

Call: 1-866-666-0421

****When emailing Customer Service, please include your **Order Number** and **platform of purchase** in the email subject for quicker assistance.**

INSTRUCTION MANUAL ENCLOSED

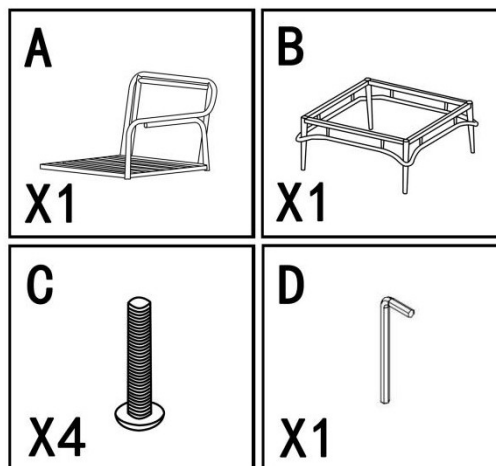
ARM CHAIR

MS382

ARM CHAIR ASSEMBLY INSTRUCTION



| Part | PARTS LIST Description | Quantity |
|------|---------------------------|----------|
| | <i>PARTS</i> | |
| A | Top Frame | 1 |
| B | Under Frame | 1 |
| | <i>HARDWARE</i> | |
| C | Bolts(M6*35MM) | 4 |
| D | Allen Key | 1 |



For Customer Service:

Email: support@orderhelp.com

sirio@orderhelp.com / www.sirio.ca

Call: 1-877-897-1222 / 1-866-666-0421

PLEASE READ AND FOLLOW ALL SAFETY TIPS

GETTING STARTED

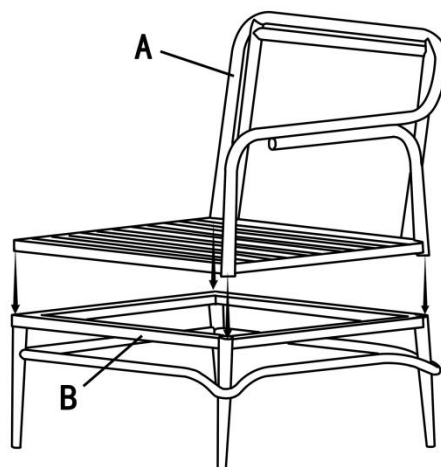
1. Before assembly, CAREFULLY use scissors or utility knife to cut and unwrap all parts. Make sure you do not discard the hardware.
2. Make sure that you have all the parts listed. If you are missing any parts, please email Customer Service: USA: support@orderhelp.com or call 1-877-897-1222. Canada: sirio@orderhelp.com / www.sirio.ca or call 1-866-666-0421. Please identify the parts you need and model number. Make sure to include your name and address.
3. Please include your **Order Number** and **platform of purchase** in the email subject, and one of our customer service representative will get back to you.

Warm Tips:

1. The plastic covers on some metal parts are just for product protection. Please remove it before assembly.
2. Please follow the sequence of AI during assembly.
3. Do not tighten the screws until all of them are in right positions.

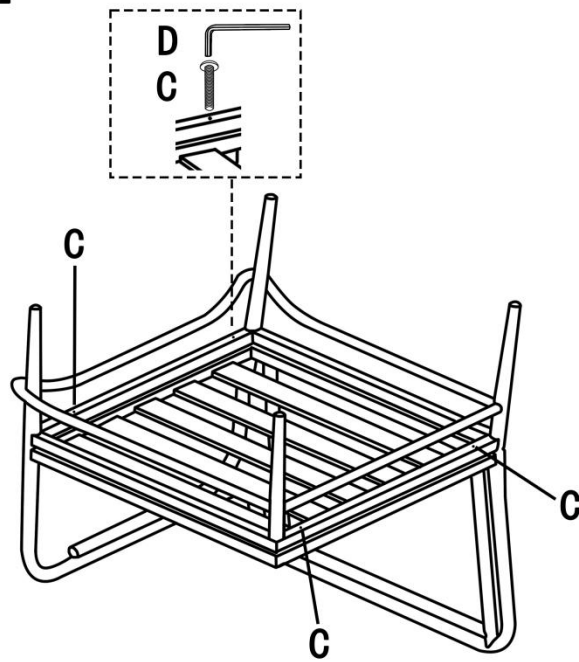
1. Locate Top Frame(A) to the Under Frame(B) by the pre-drilled Threads. (Photo 1)

STEP1



2. Turn over the Chair frame carefully, Use Allen Key(D) to fasten Bolts(C), Then turn over the Chair to the upright position carefully.

STEP2



3. Follow the same instruction for the other arm chairs.

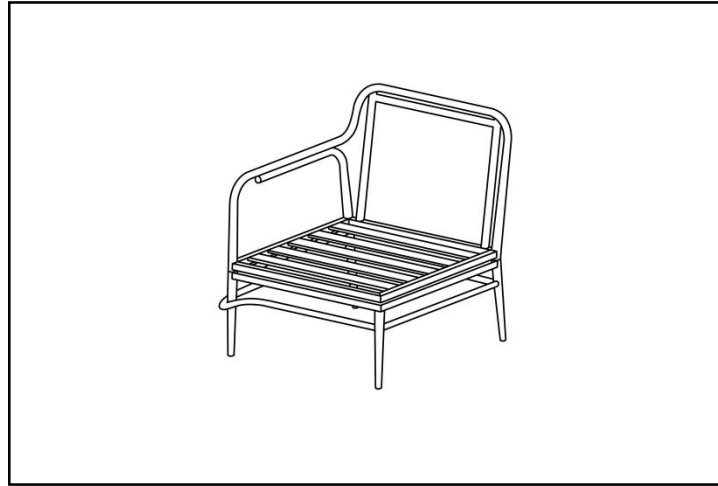
Till now you have finished the whole assembly and enjoy your arm chairs.

INSTRUCTION MANUAL ENCLOSED

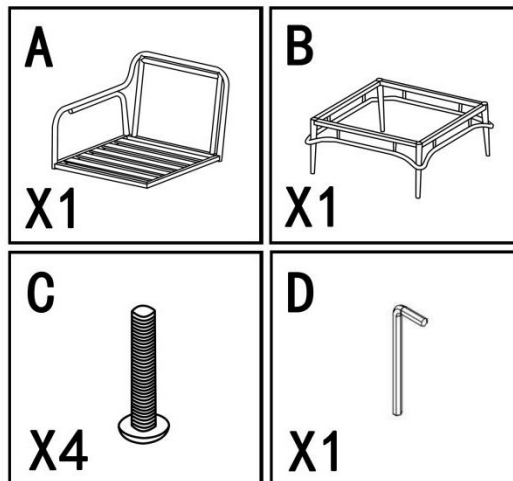
ARM CHAIR

MS382

ARM CHAIR ASSEMBLY INSTRUCTION



| Part | PARTS LIST Description | Quantity |
|------|---------------------------|----------|
| | <i>PARTS</i> | |
| A | Top Frame | 1 |
| B | Under Frame | 1 |
| | <i>HARDWARE</i> | |
| C | Bolts(M6*35MM) | 4 |
| D | Allen Key | 1 |



For Customer Service:

Email: support@orderhelp.com

sirio@orderhelp.com / www.sirio.ca

Call: 1-877-897-1222 / 1-866-666-0421

PLEASE READ AND FOLLOW ALL SAFETY TIPS

GETTING STARTED

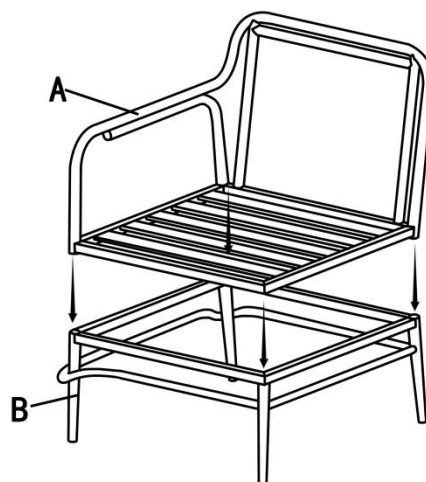
1. Before assembly, CAREFULLY use scissors or utility knife to cut and unwrap all parts. Make sure you do not discard the hardware.
2. Make sure that you have all the parts listed. If you are missing any parts, please email Customer Service: USA: support@orderhelp.com or call 1-877-897-1222. Canada: sirio@orderhelp.com / www.sirio.ca or call 1-866-666-0421. Please identify the parts you need and model number. Make sure to include your name and address.
3. Please include your **Order Number** and **platform of purchase** in the email subject, and one of our customer service representative will get back to you.

Warm Tips:

1. The plastic covers on some metal parts are just for product protection. Please remove it before assembly.
2. Please follow the sequence of AI during assembly.
3. Do not tighten the screws until all of them are in right positions.

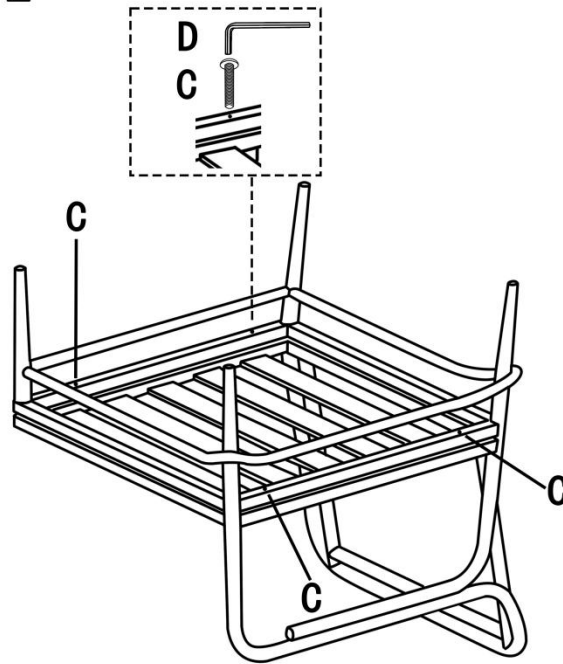
1. Locate Top Frame(A) to the Under Frame(B) by the pre-drilled Threads. (Photo 1)

STEP1



2. Turn over the Chair frame carefully, Use Allen Key(D) to fasten Bolts(C), Then turn over the Chair to the upright position carefully.

STEP2



3. Follow the same instruction for the other arm chairs.

Till now you have finished the whole assembly and enjoy your arm chairs.