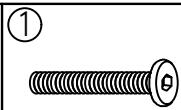
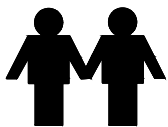
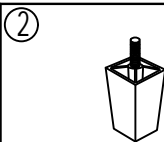


D-S02-R ASSEMBLY INSTRUCTION

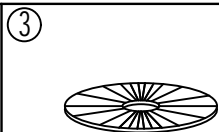


M8x60

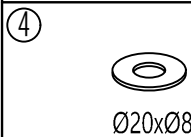
x8



x2

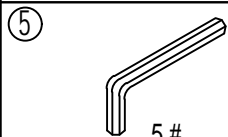


x2



Ø20xØ8

x8



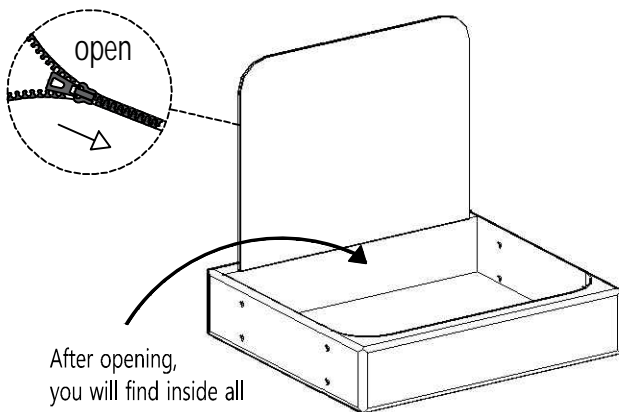
5 #

x1



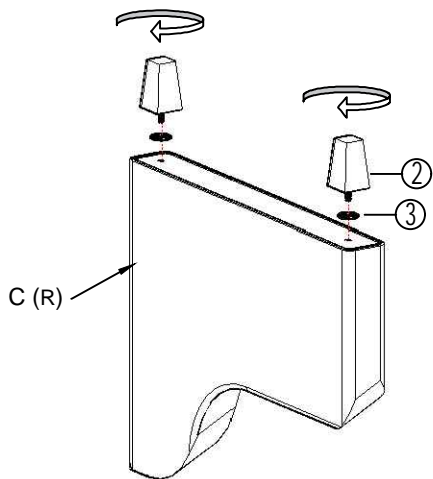
20 MIN

1)

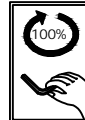
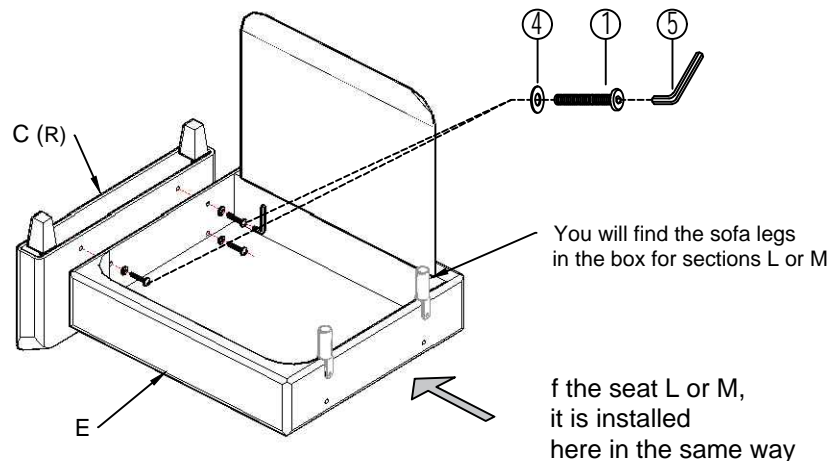


After opening, you will find inside all the elements required for assembling

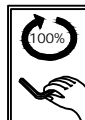
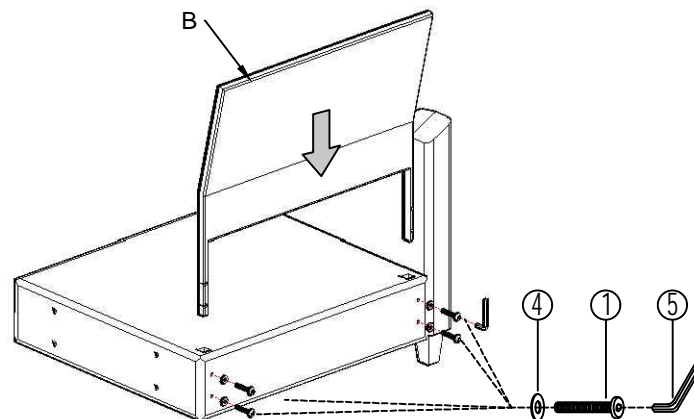
2)



3)



4)



5)

