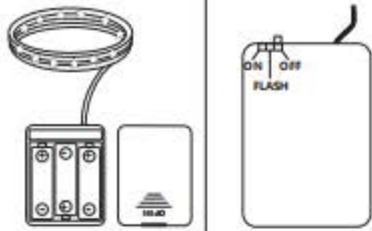


Fairy Tale Playhouse



Installing batteries for the star light:

1. Remove the battery cover: Slide off in the direction indicated on the box.
2. Install 3 AA batteries in the order indicated by the markings inside the battery compartment.
3. Reinstall the battery cover.

Batteries

- Use AA batteries.
- Do not mix used and new batteries.
- Do not mix alkaline, standard (carbon-zinc) or rechargeable batteries.
- Remove batteries during periods of non-use



Khaki Poles X 14 pcs (33cm/13in)



White Poles X 23 pcs (38.2cm/15.04in)



Straight Connector Tubes X 22 pcs



Connector Tubes X 4 pcs



Connector Tubes X 6 pcs



Mat X 1



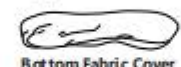
Lights X 1



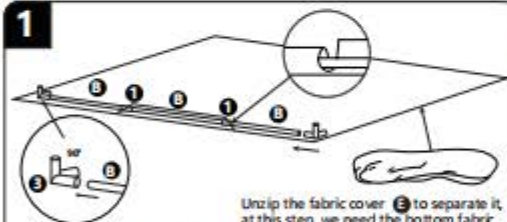
Fabric Cover X 1
(two parts connected by a zipper)



Upper Fabric Cover

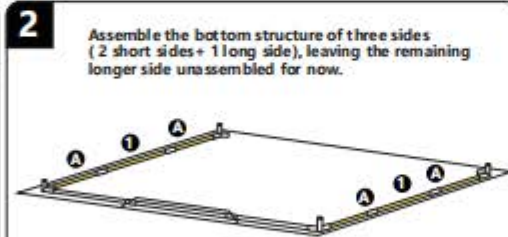


Bottom Fabric Cover

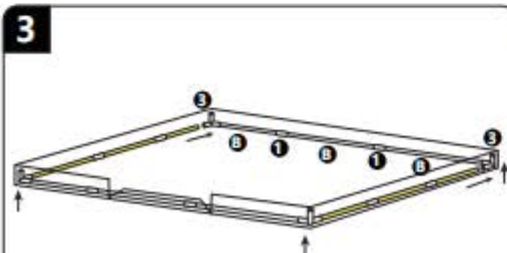


One short edge of the bottom fabric has a sleeve; insert one short PVC pipe of the bottom frame into it.

Unzip the fabric cover (E) to separate it at this step, we need the bottom fabric.

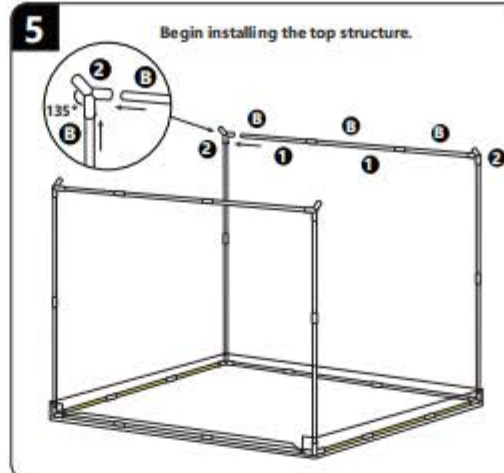
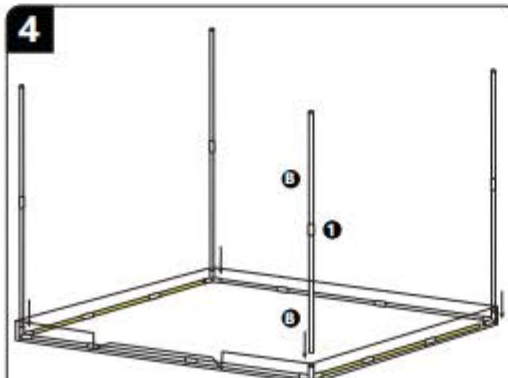


Assemble the bottom structure of three sides (2 short sides + 1 long side), leaving the remaining longer side unassembled for now.

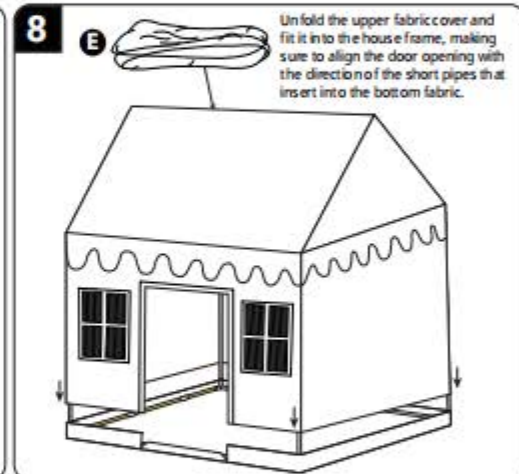
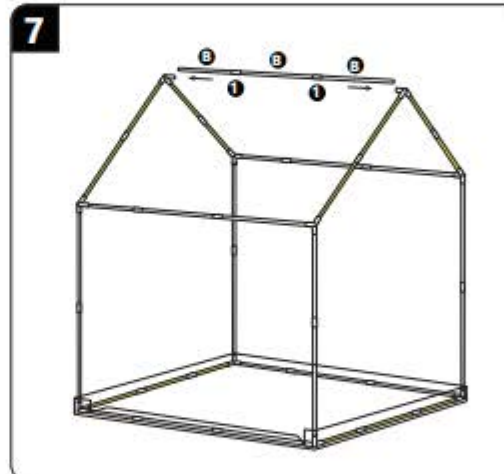
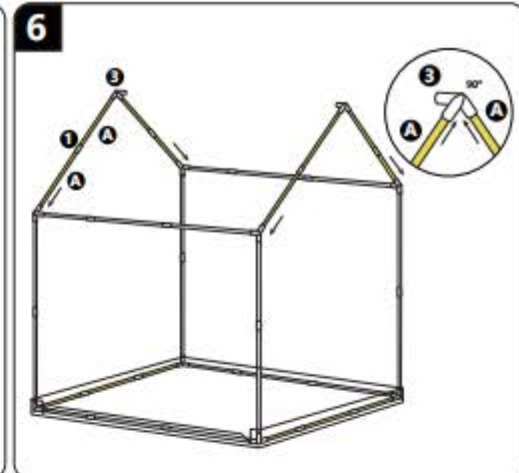


1. Assemble the final long side of the bottom frame to complete the assembly of the bottom frame.

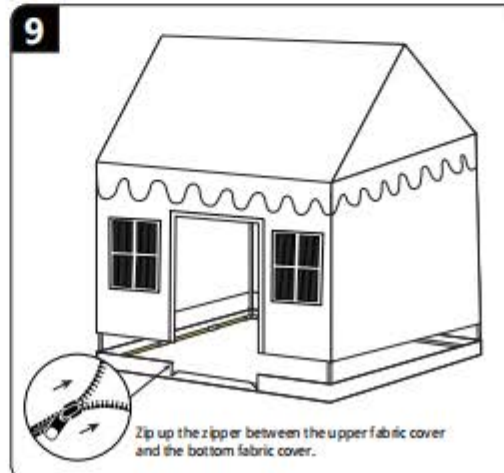
2. Smoothly spread out the bottom fabric and place it underneath the bottom frame.



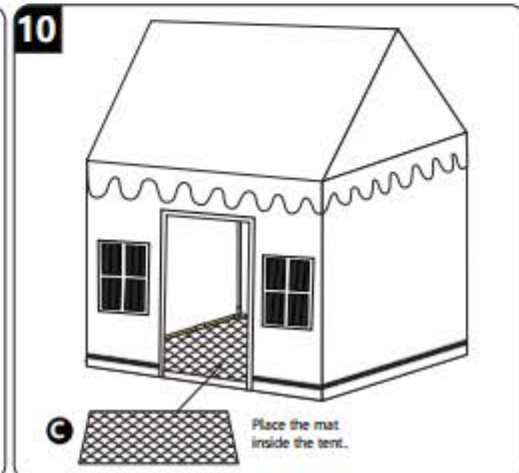
Begin installing the top structure.



Unfold the upper fabric cover and fit it into the house frame, making sure to align the door opening with the direction of the short pipes that insert into the bottom fabric.



Zip up the zipper between the upper fabric cover and the bottom fabric cover.



Place the mat inside the tent.