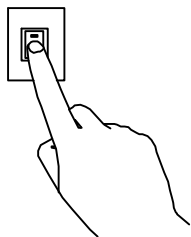


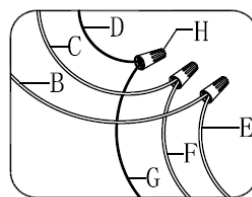
Installation Instruction flush mount

1



turn off the power.

5

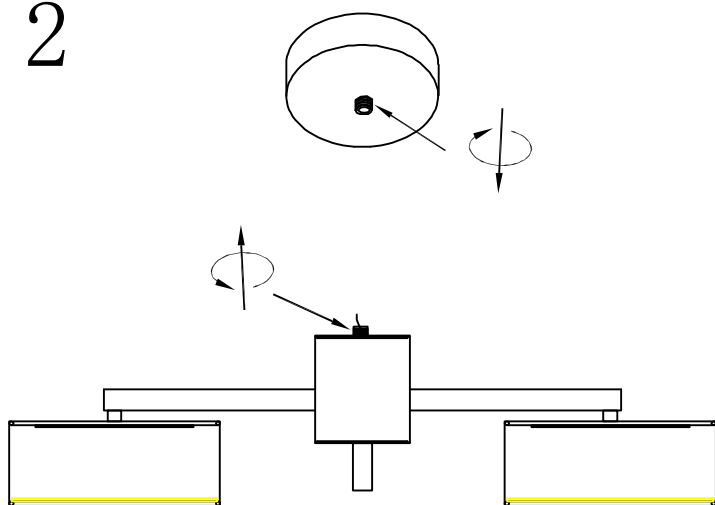


Wire connection

B-Black wire (L) from junction box
C-White wire (N) from junction box
D-Green wire/bare copper (G)
from junction box
E-Black wire (L) from fixture
F-White wire (N) from fixture
G-Green wire/Bare copper from fixture
H-wire connector x 3

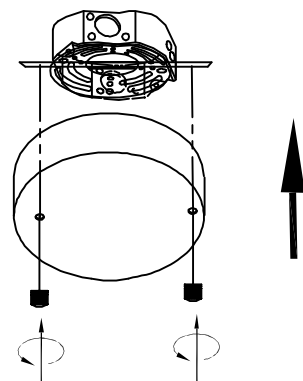
Connect wires

2



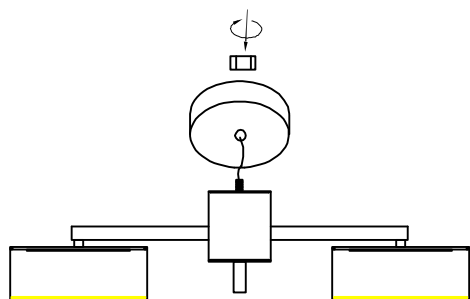
loosen and remove the nut
outside the canopy and
the nut at the top of fixture

6



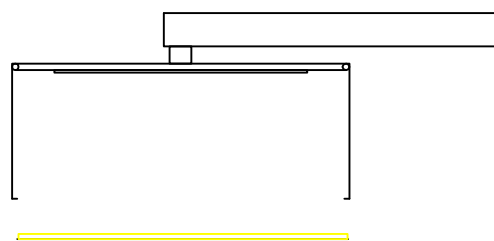
rise and install canopy
to Mounting bracket

3



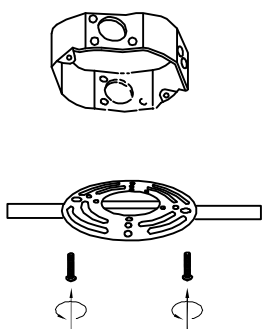
install the canopy to fixture

7



install diffuser plate to
the lampshade ,

4



install mounting bracket

