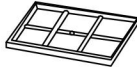






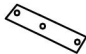


# Assembly Instructions

Caution: You must read this before you proceed

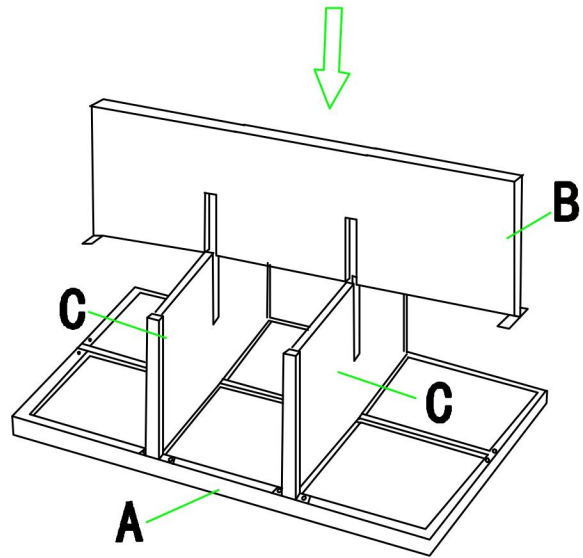
|          |   |                  |              |
|----------|---|------------------|--------------|
| <b>A</b> |    | table top        | <b>1PC</b>   |
| <b>B</b> |    | table leg        | <b>1PC</b>   |
| <b>C</b> |    | table legs       | <b>2PCS</b>  |
| <b>D</b> |    | umbrella cover   | <b>1PC</b>   |
| <b>E</b> |    | screw            | <b>18PCS</b> |
| <b>F</b> |    | washer           | <b>18PCS</b> |
| <b>G</b> |  | spanner          | <b>1PC</b>   |
| <b>H</b> |  | Connector Plates | <b>2PCS</b>  |

- ① Before assembling, please check if you have all the assembled parts on the assembly instructions.
- ② When you assemble, place all parts of the product on a thick carpet to prevent product scratches.
- ③ Tighten the screws one by one after fitting all of them in their setting, otherwise you may have troubles in fixing the product.
- ④ Easy assembly for two people.

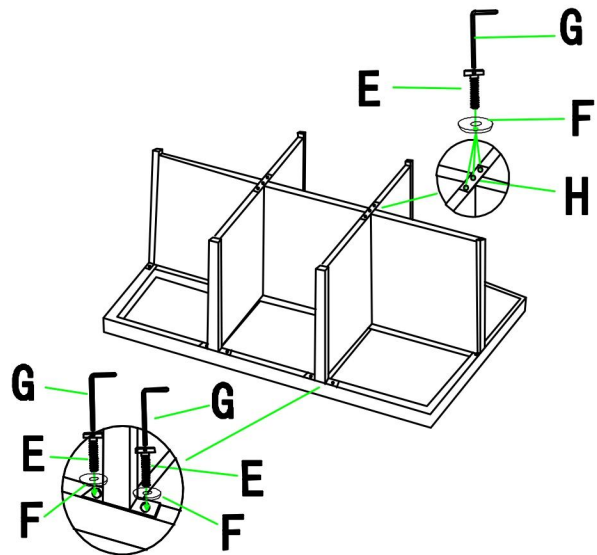
# Assembly Instructions

## Table

①



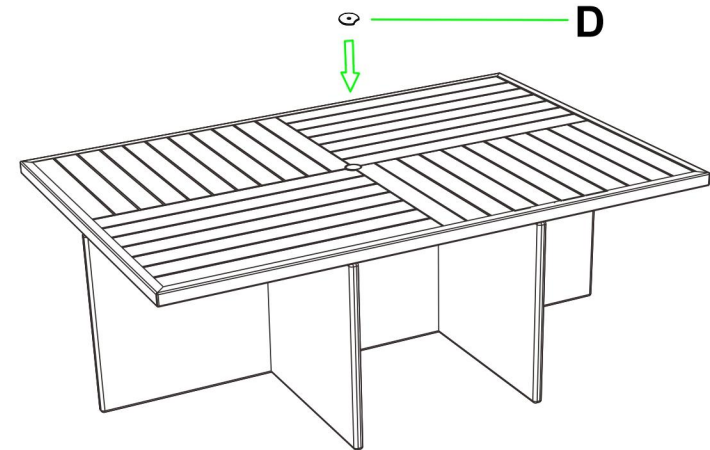
②



# Assembly Instructions

## Table

③



④

