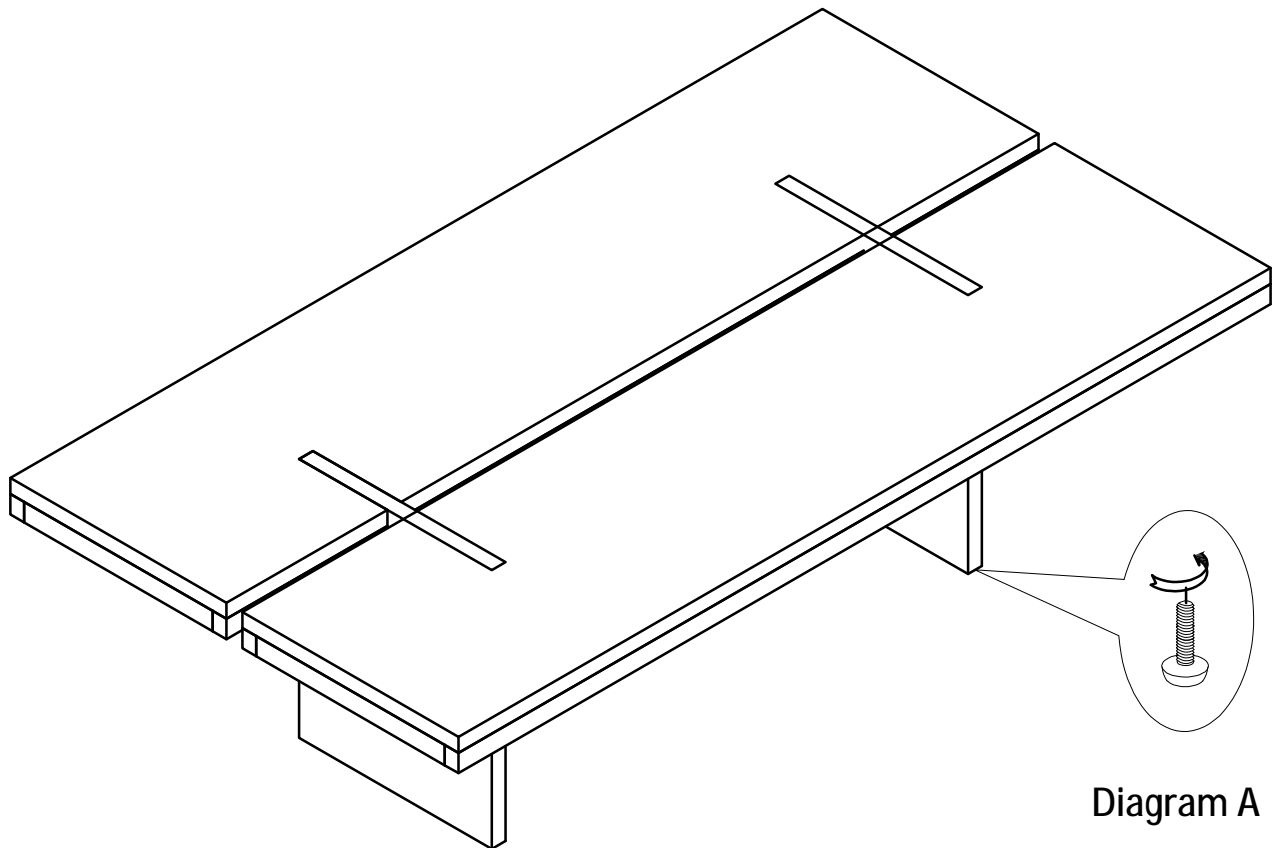


B E R N H A R D T

ASSEMBLY INSTRUCTIONS FOR 357-013 COCKTAIL TABLE

Thank you for purchasing Bernhardt furniture. Please check all packing materials to ensure proper assembly. Please read all instructions carefully before starting the assembly process. Some parts are large and heavy and require at least two people to assemble, in order to prevent possible injury and/or damage to the piece.



ASSEMBLY INSTRUCTION: (TWO PEOPLE REQUIRED)

1. Level the table using the screw-in levelers on the legs. Diagram A

CLEANING INSTRUCTIONS:

Clean surfaces with a clean soft damp cloth.