

ASSEMBLY TIPS

1. Remove hardware from box and sort by size.
2. Please check to see that all hardware and parts are present prior to start of assembly.
3. Please follow attached instruction in the same sequence as numbered to assure fast & easy assembly.



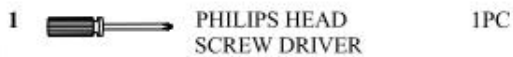
Warning !

1. Don't attempt to repair or modify parts that are broken or defective. Please contact the store immediately.
2. This product is for home use only and not intended for commercial establishment.

PARTS IDENTIFICATION

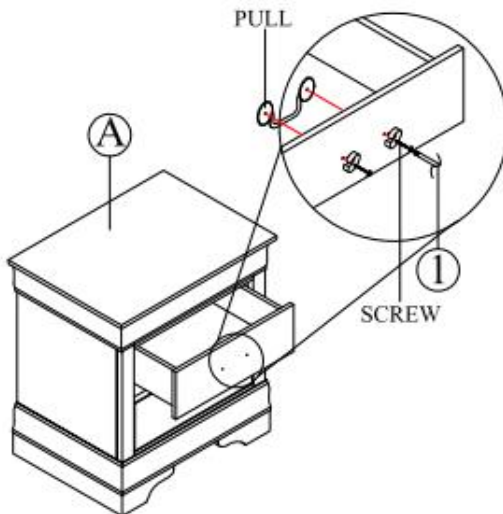


HARDWARE IDENTIFICATION



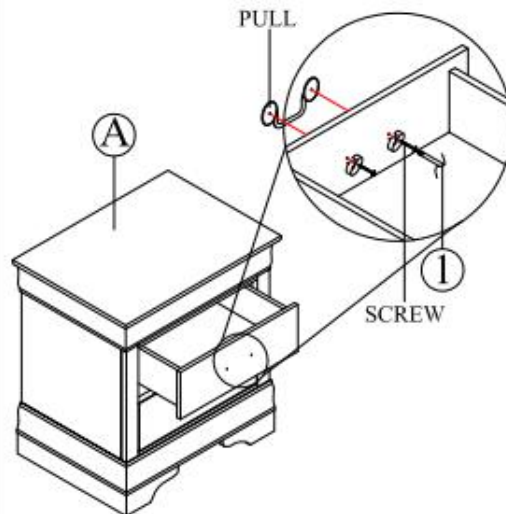
NOTE : MANUFACTURER DOES NOT PROVIDE ITEM 1

STEP 1



Unscrew the drawer pull from the back of drawer front with screw driver (not provided).

STEP 2



Align and fasten drawer pull to drawer front using screw and tighten with screw driver (not provided).