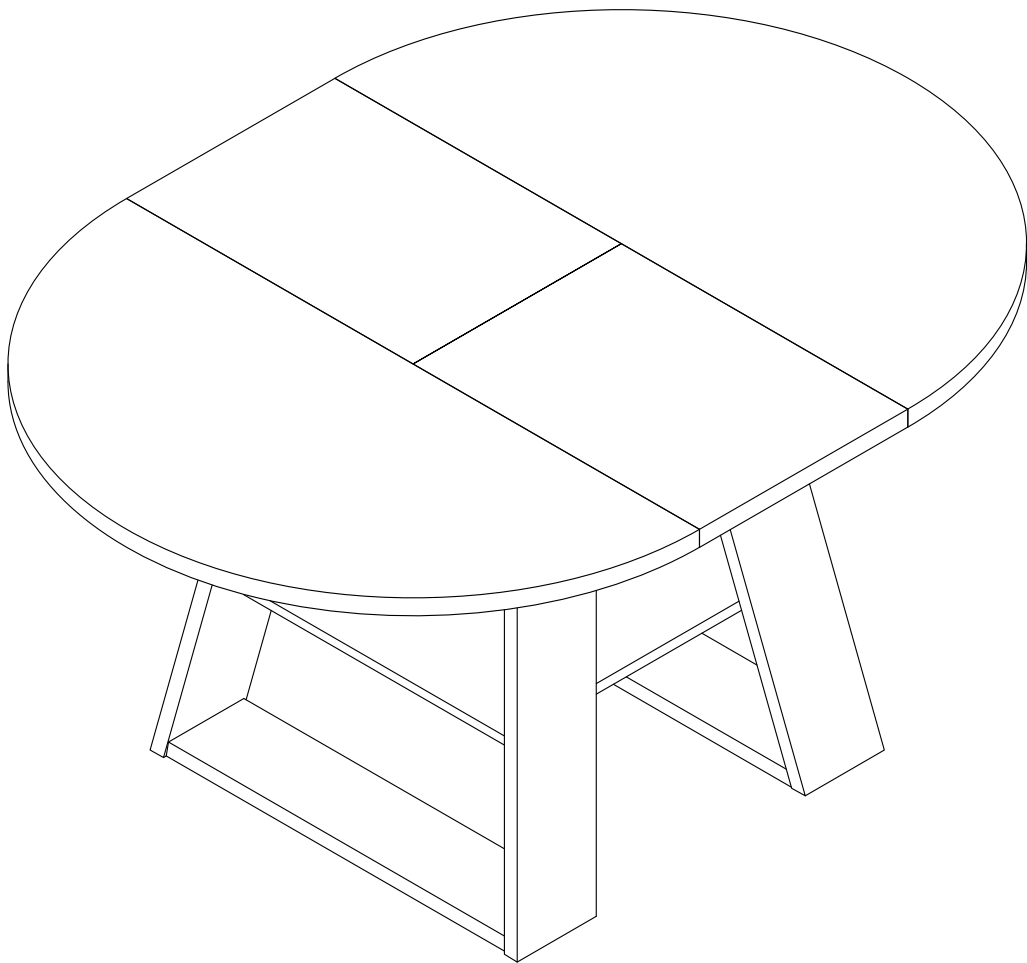
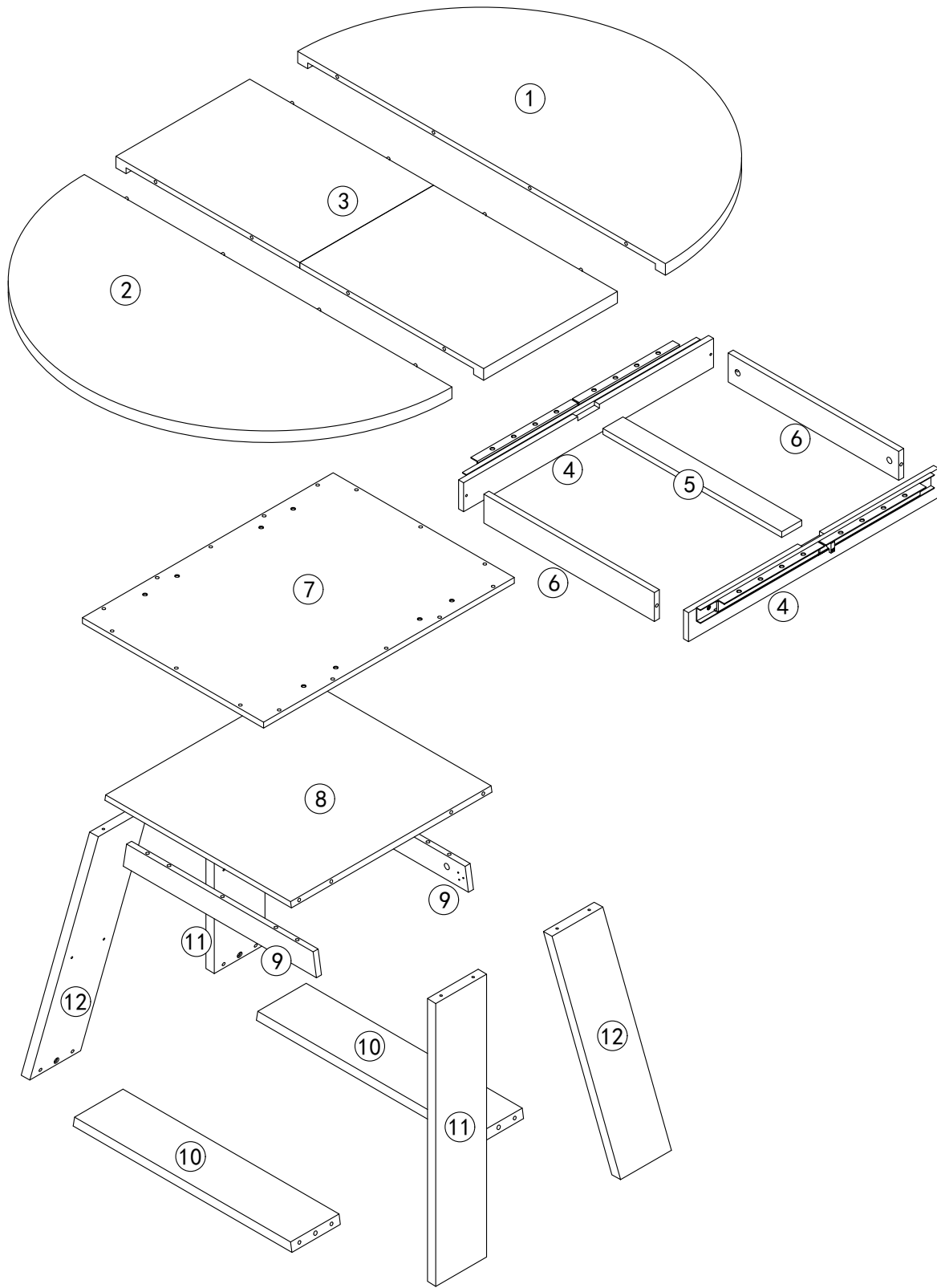
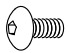

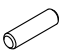


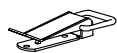

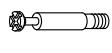

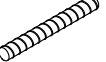







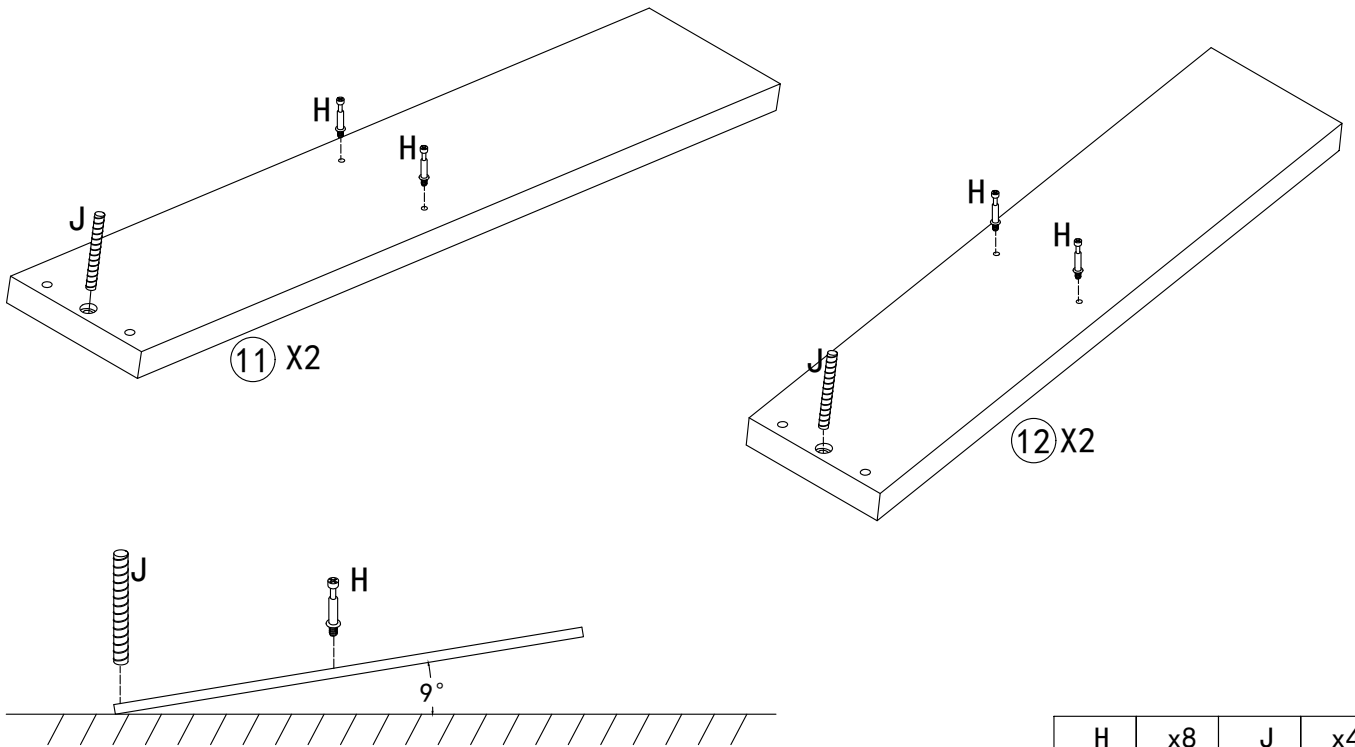
Installation & Assembly

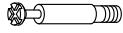
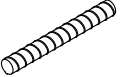




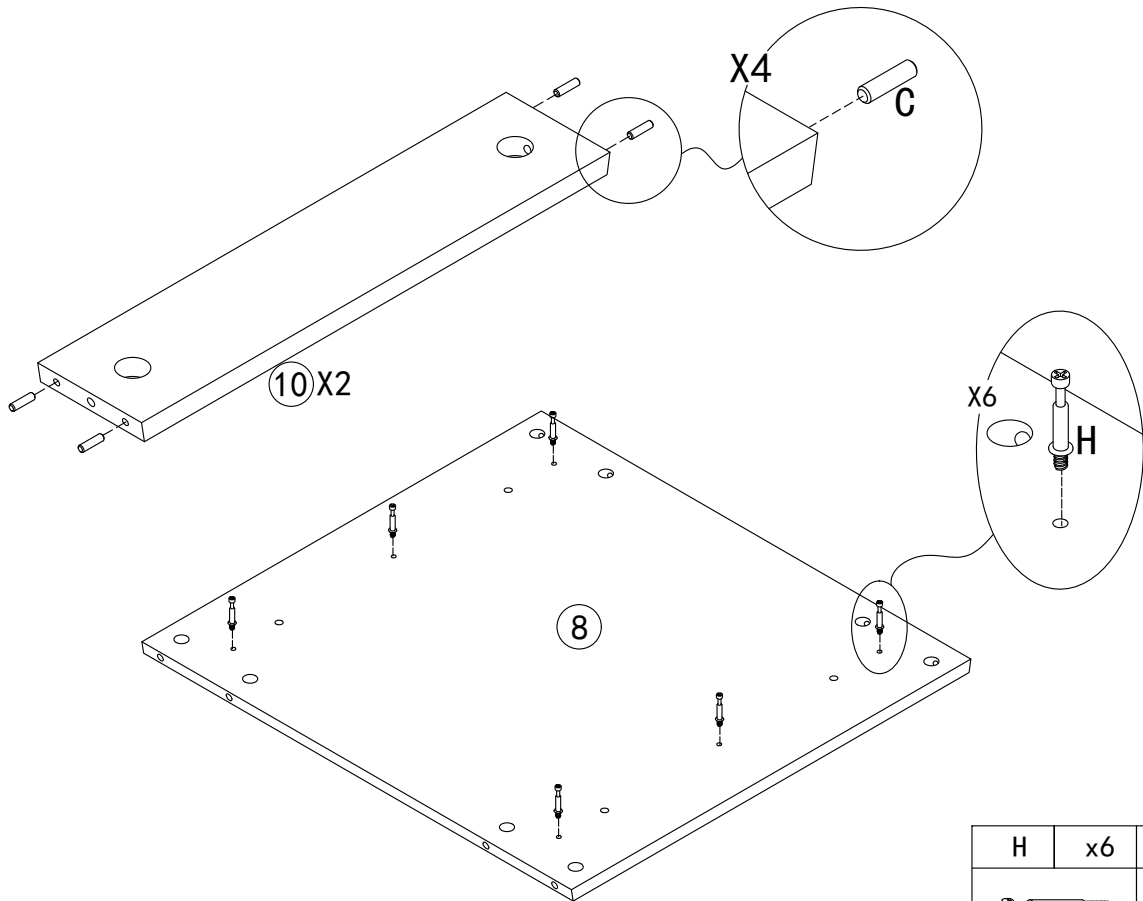
A	x16	B	x40	C	x18	D	x18	E	x4	F	x4	G	x1	H	x18
															
M6*12mm		ø3.5*14mm		ø8*30mm		M7*50mm						M4		M6*35mm	
I	x18	J	x4	K	x4	L	x4	M	x4	N	x4	O	x1		
															
ø15mm		M8*70mm				M8				ø80*5mm		M8			

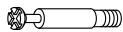
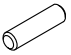
1



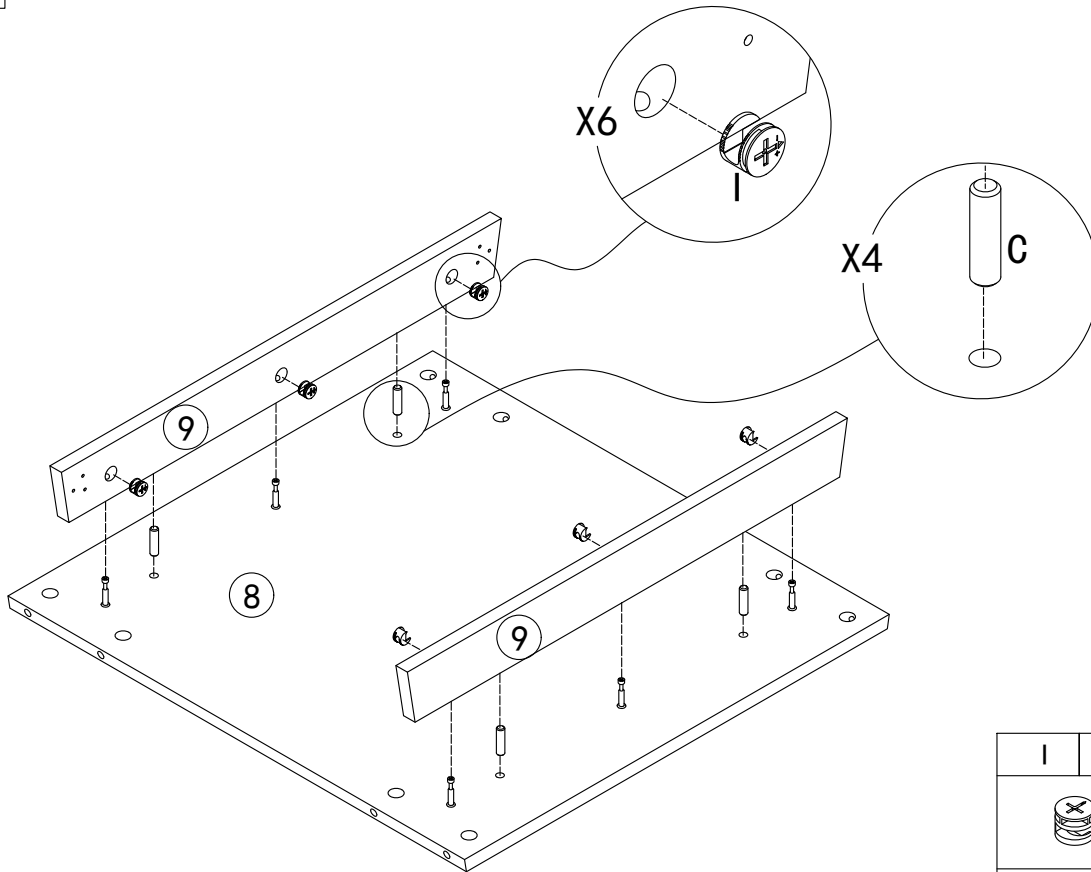
H	x8	J	x4
			
M6*35mm		M8*70mm	


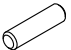
2



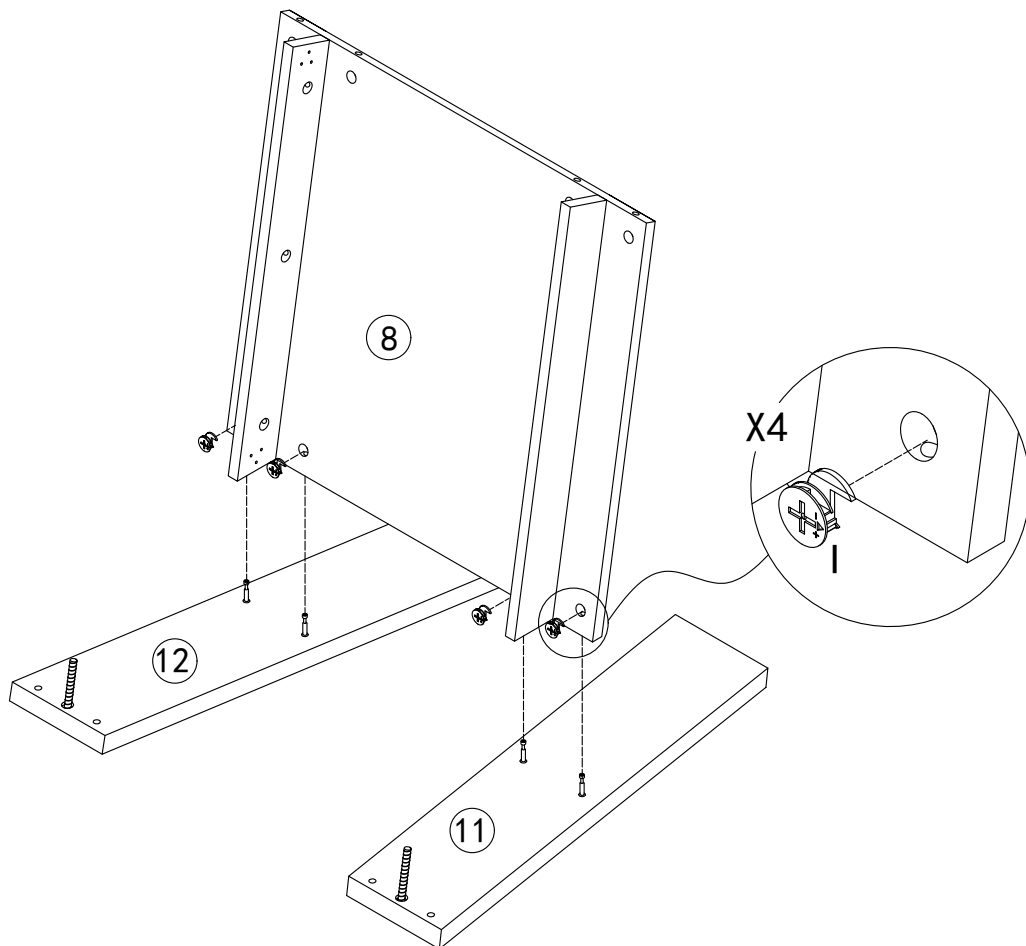
H	x6	C	x8
			
M6*35mm		Ø8*30mm	


3



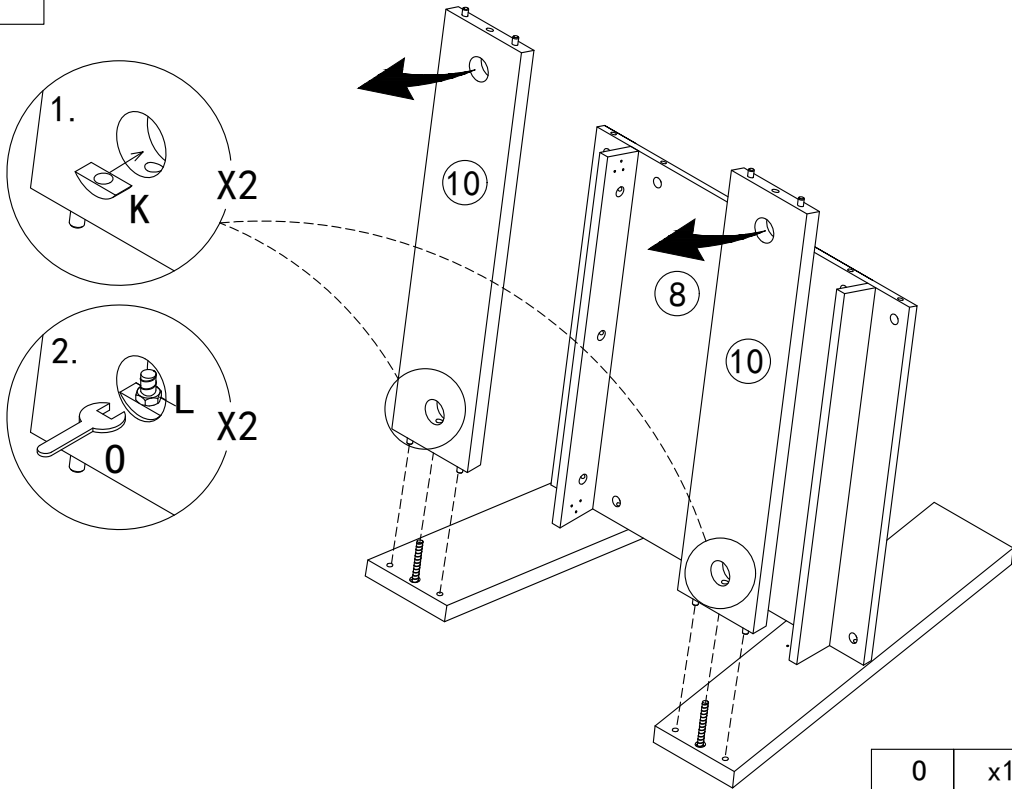
I	x6	C	x4
			
Ø15mm		Ø8*30mm	

4



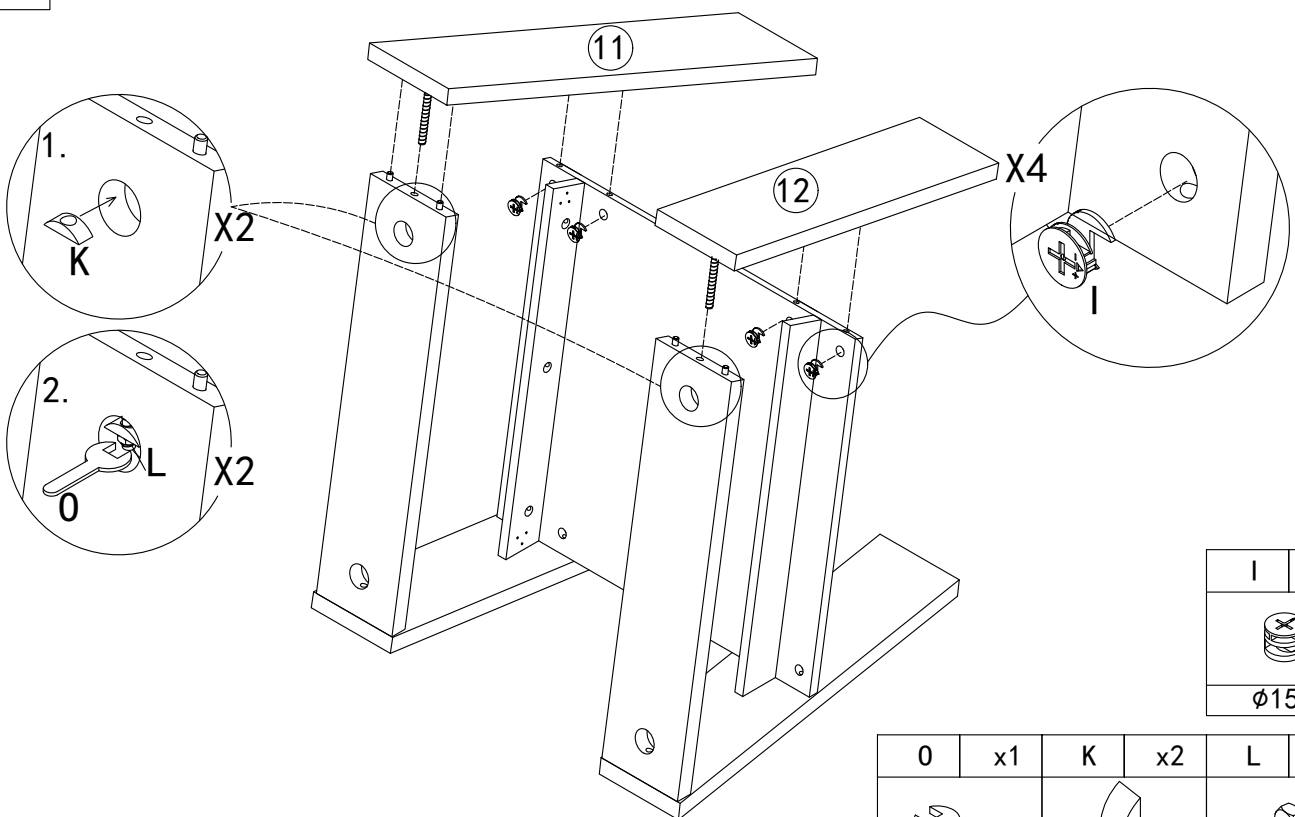
I	x4
	
Ø15mm	

5



0	x1	K	x2	L	x2
M8				M8	

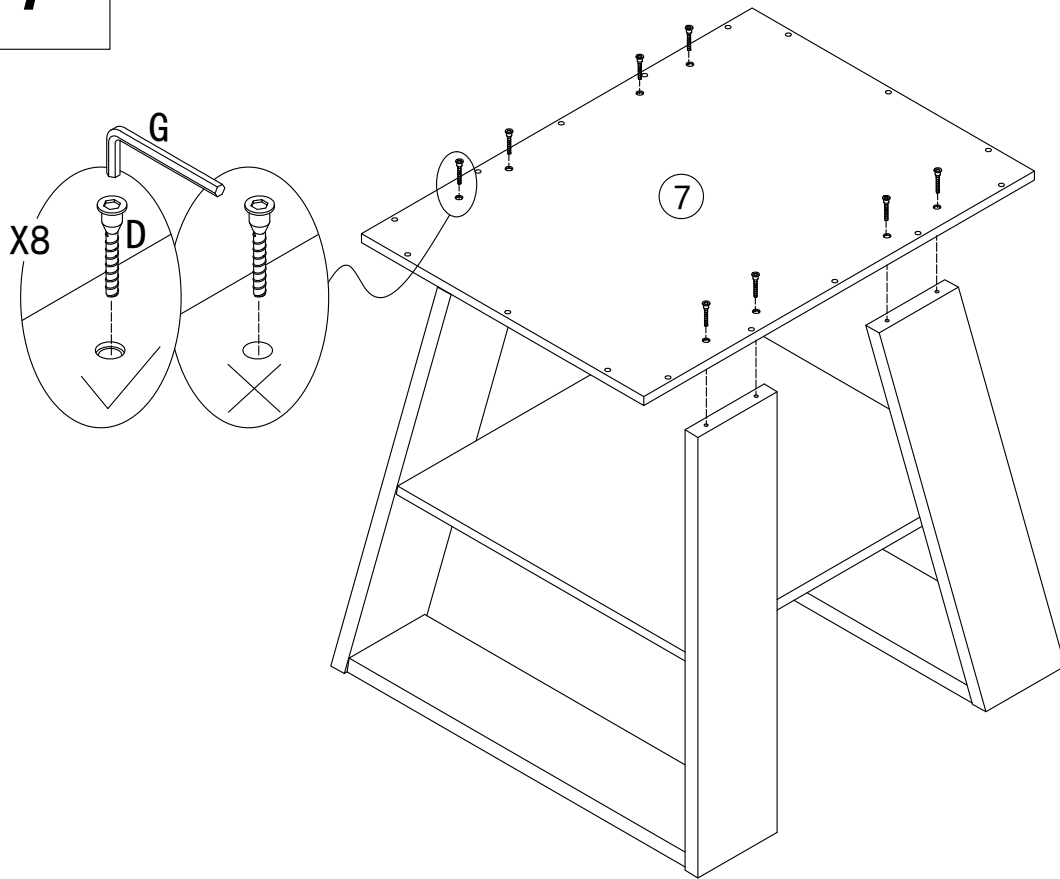
6

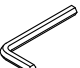



I	x4
φ15mm	

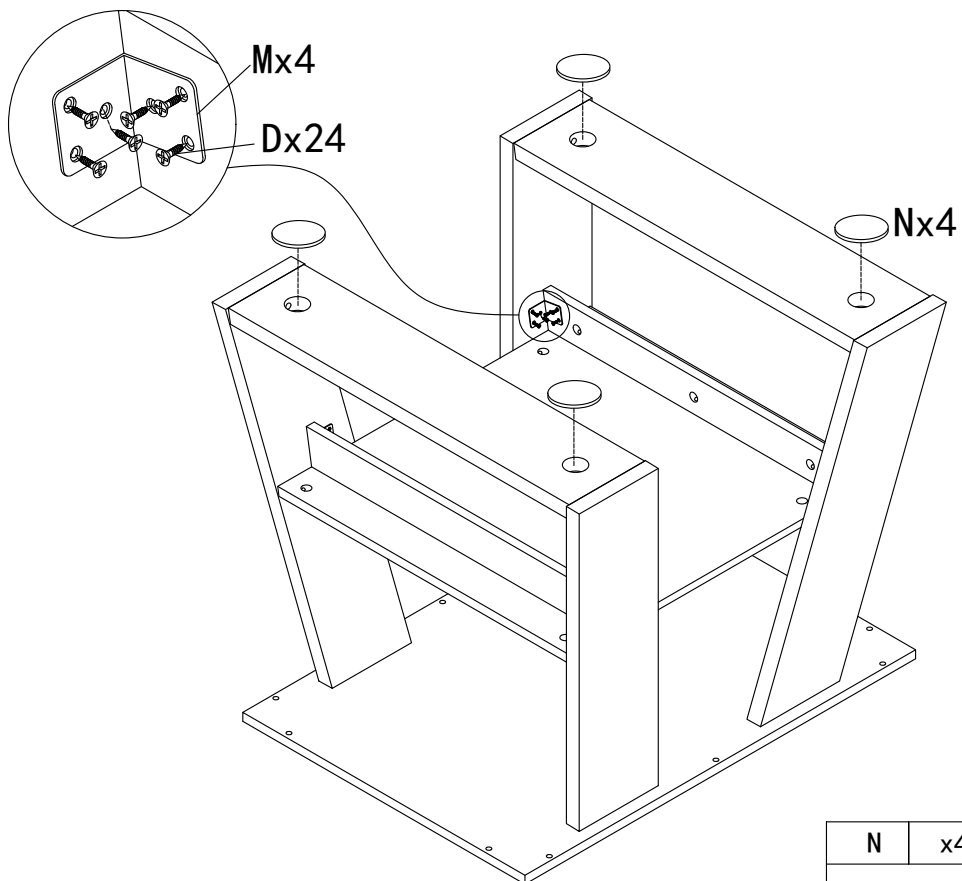
0	x1	K	x2	L	x2
M8				M8	



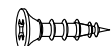
7



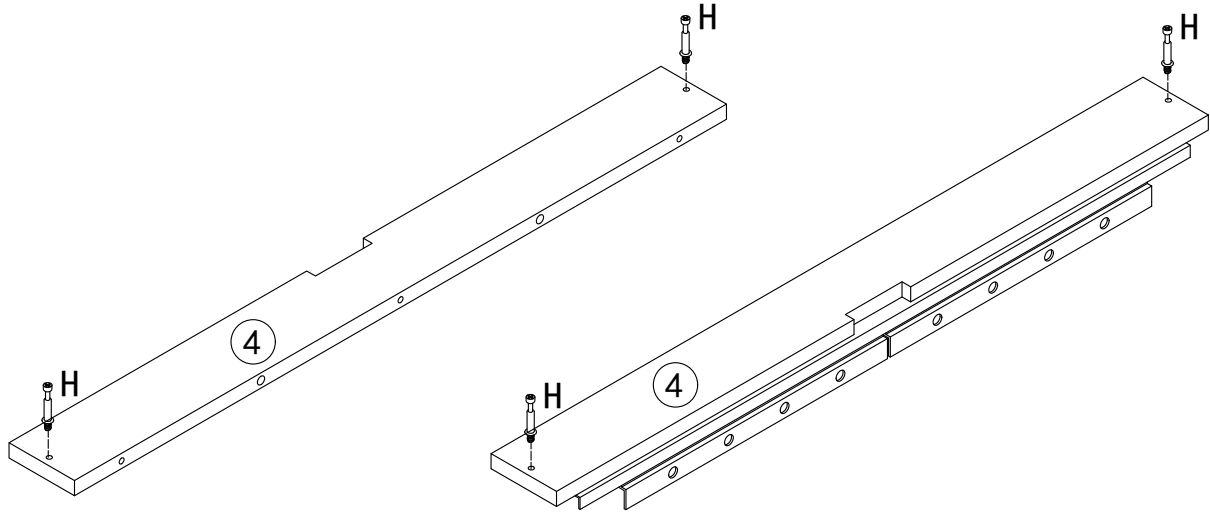
G	x1	D	x8
			
M4		M7*50mm	

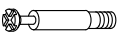
8



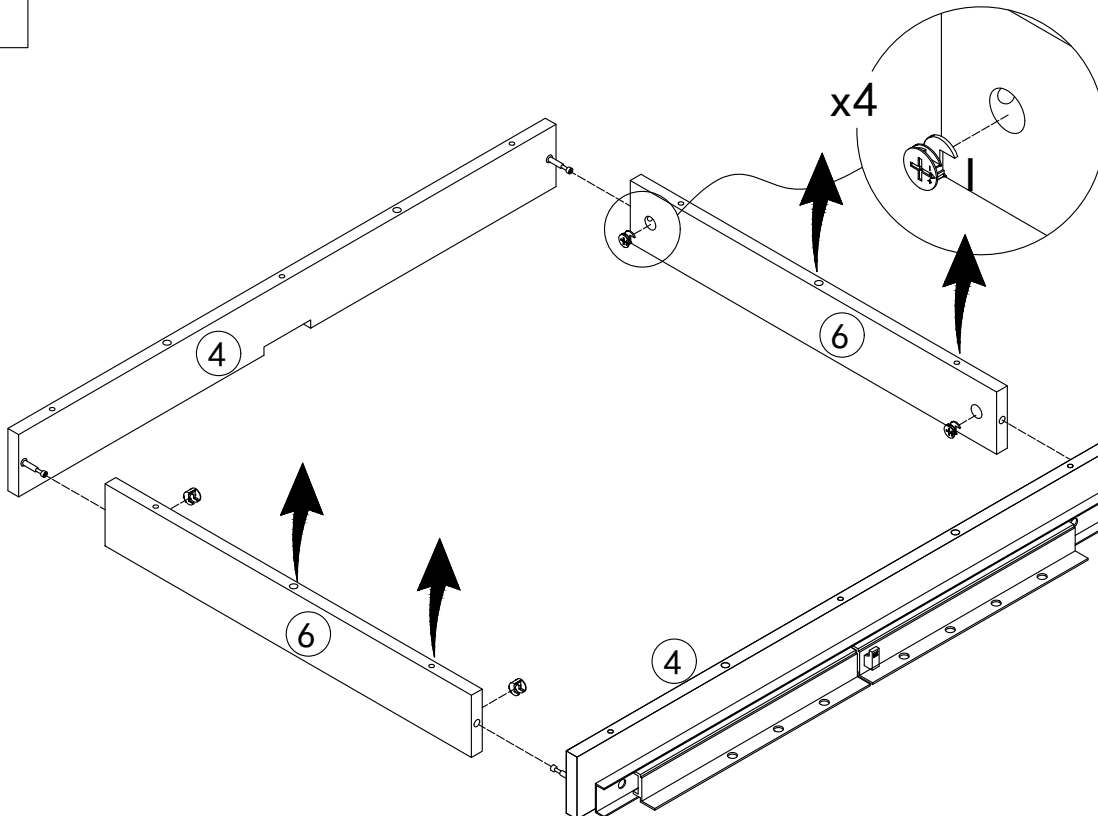
N	x4	M	x4	B	x24
					
Ø80*5mm				Ø3.5*14mm	


9



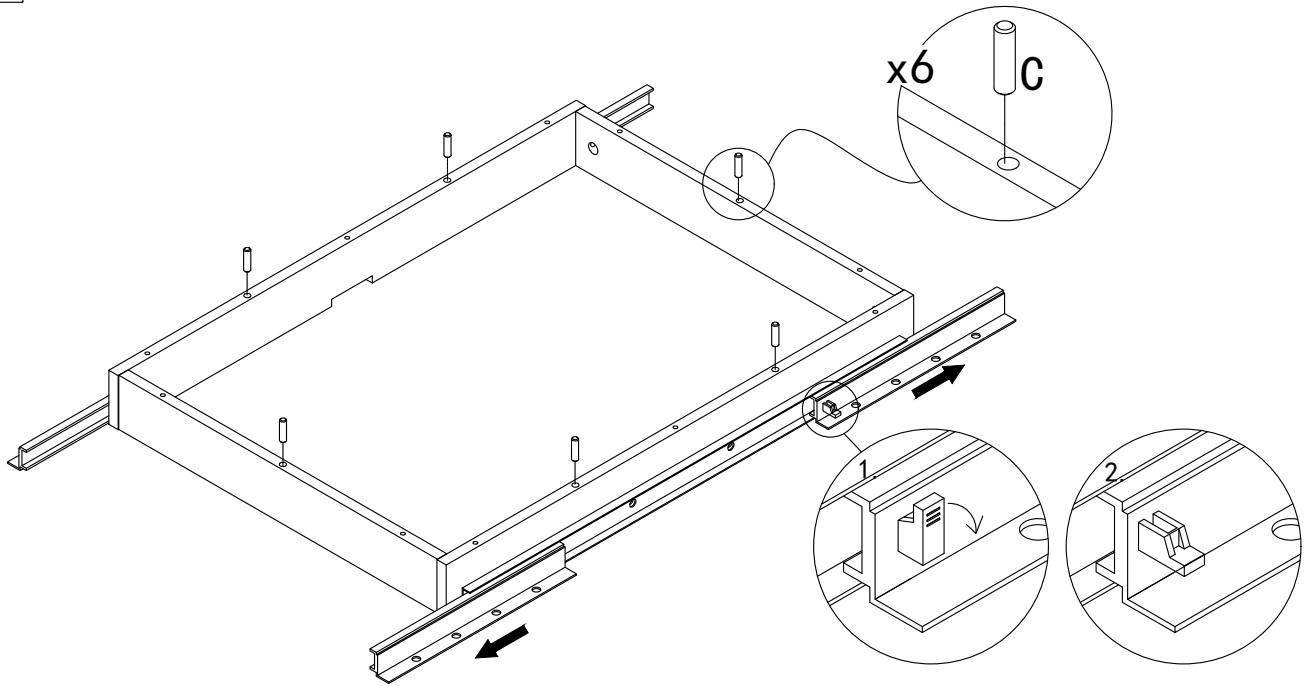
H	x4
	
M6*35mm	

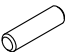
10



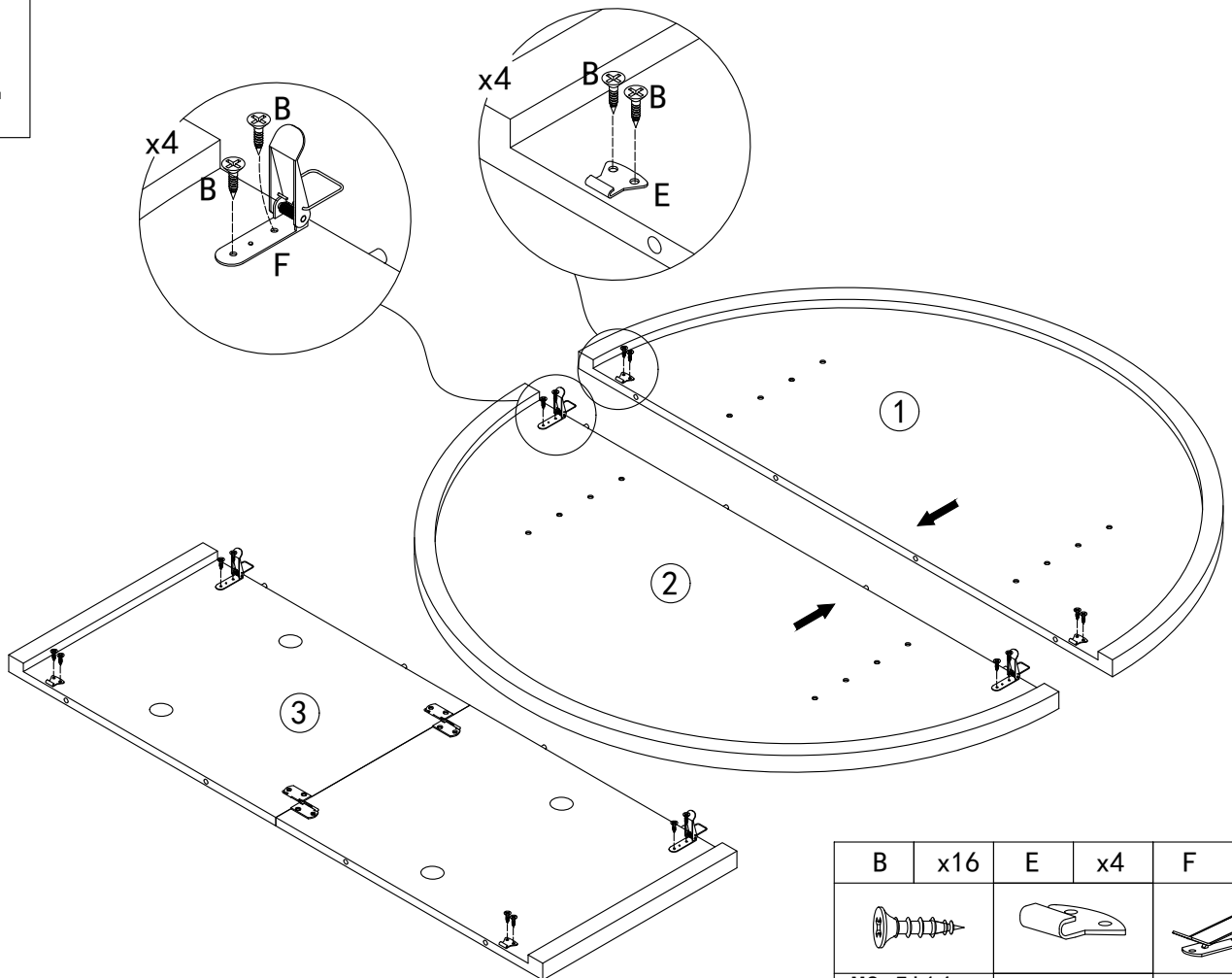
I	x4
	
Ø15mm	

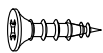

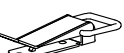
11



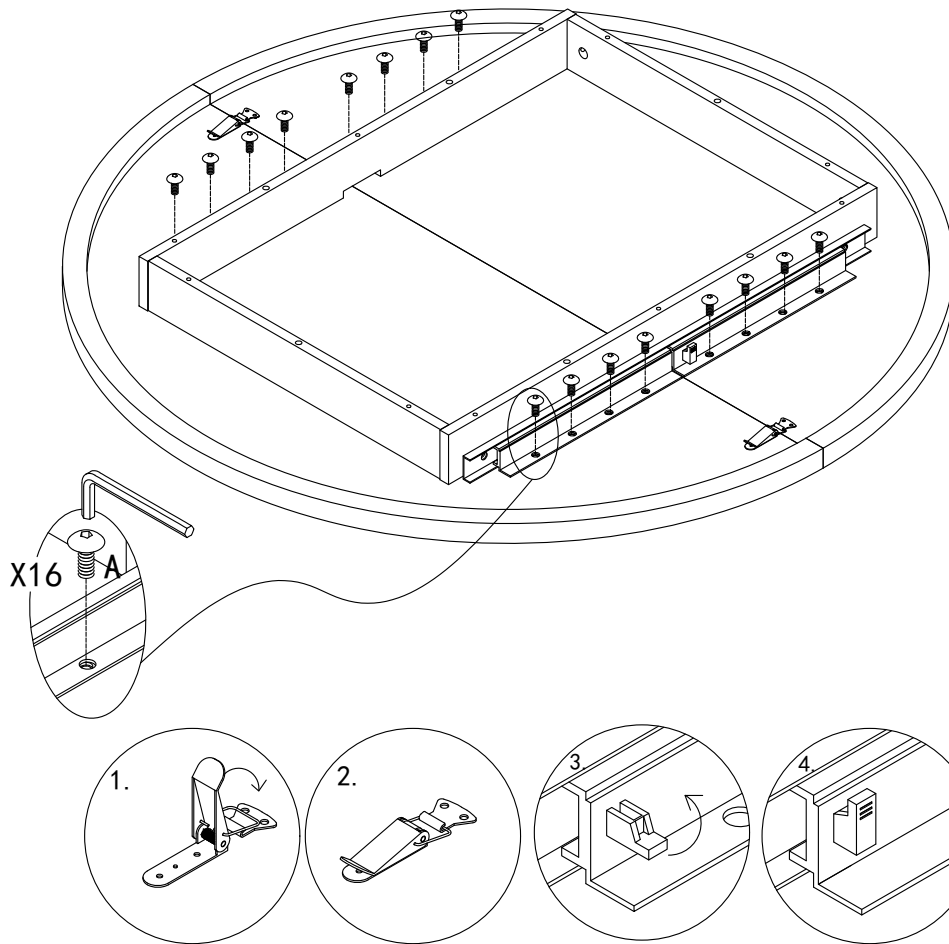
C	x6
	
$\text{Ø}8 \times 30\text{mm}$	

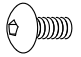
12



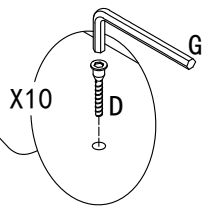
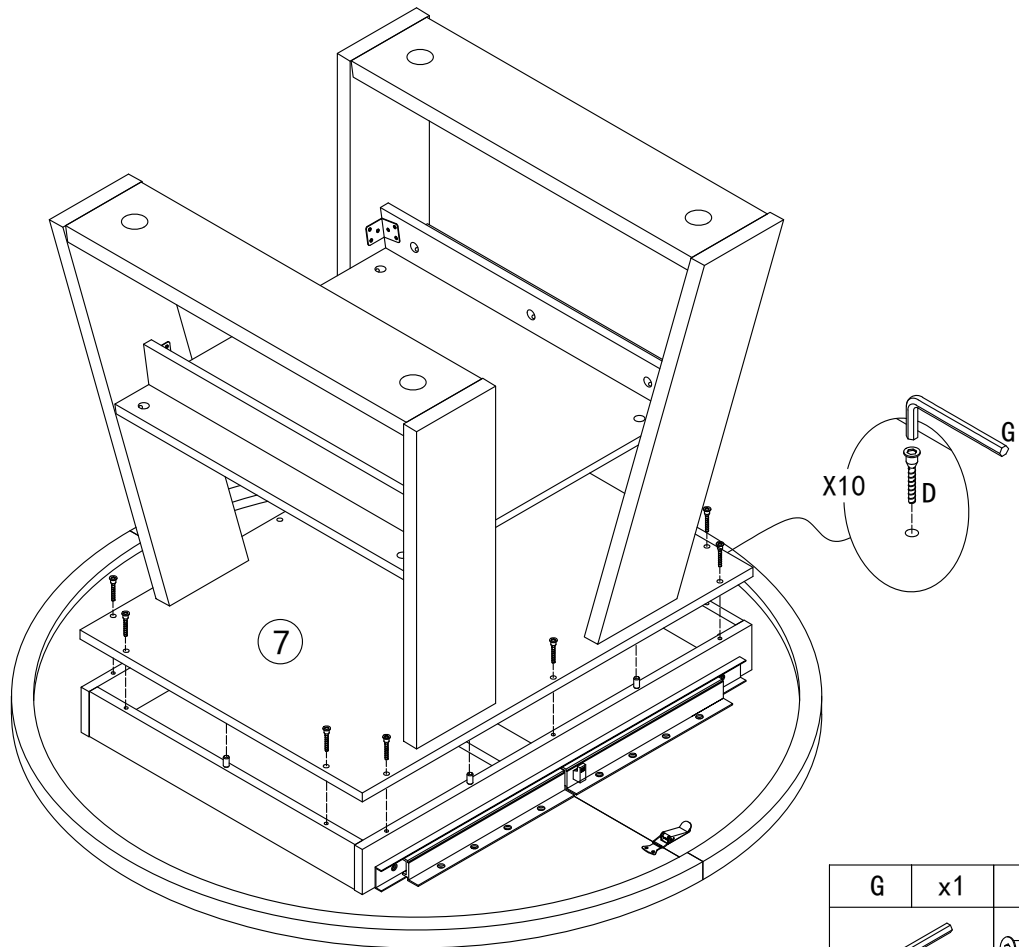
B	x16	E	x4	F	x4
					
M3. 5*14mm					



13



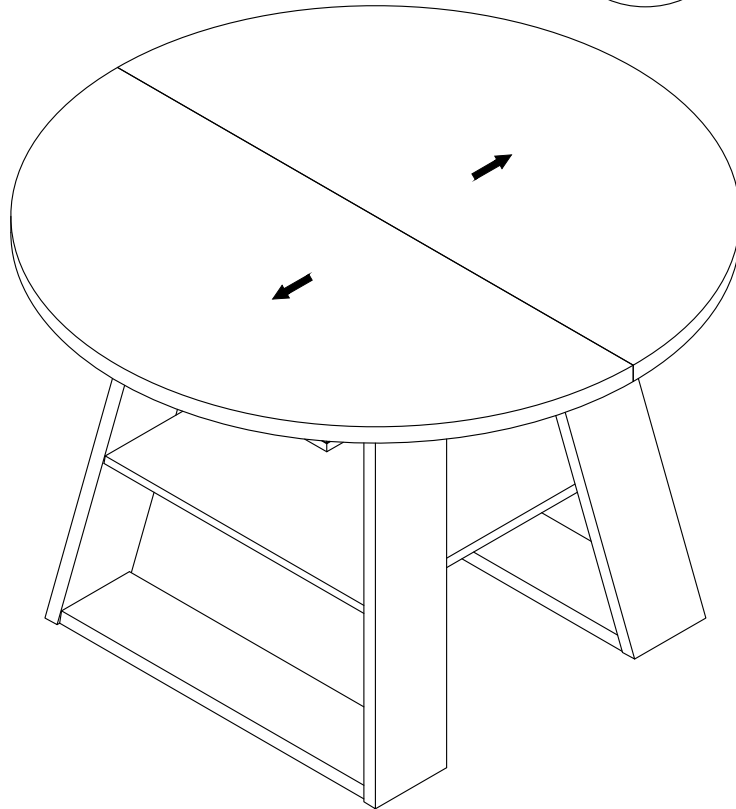
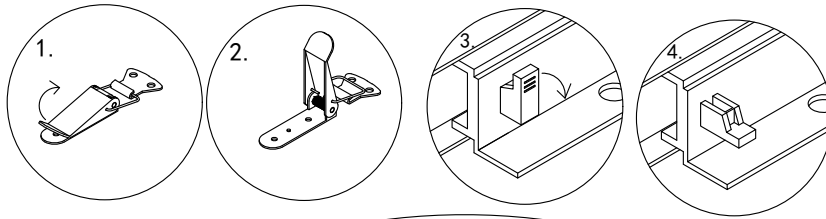
A	x16
	
M6*12mm	

14

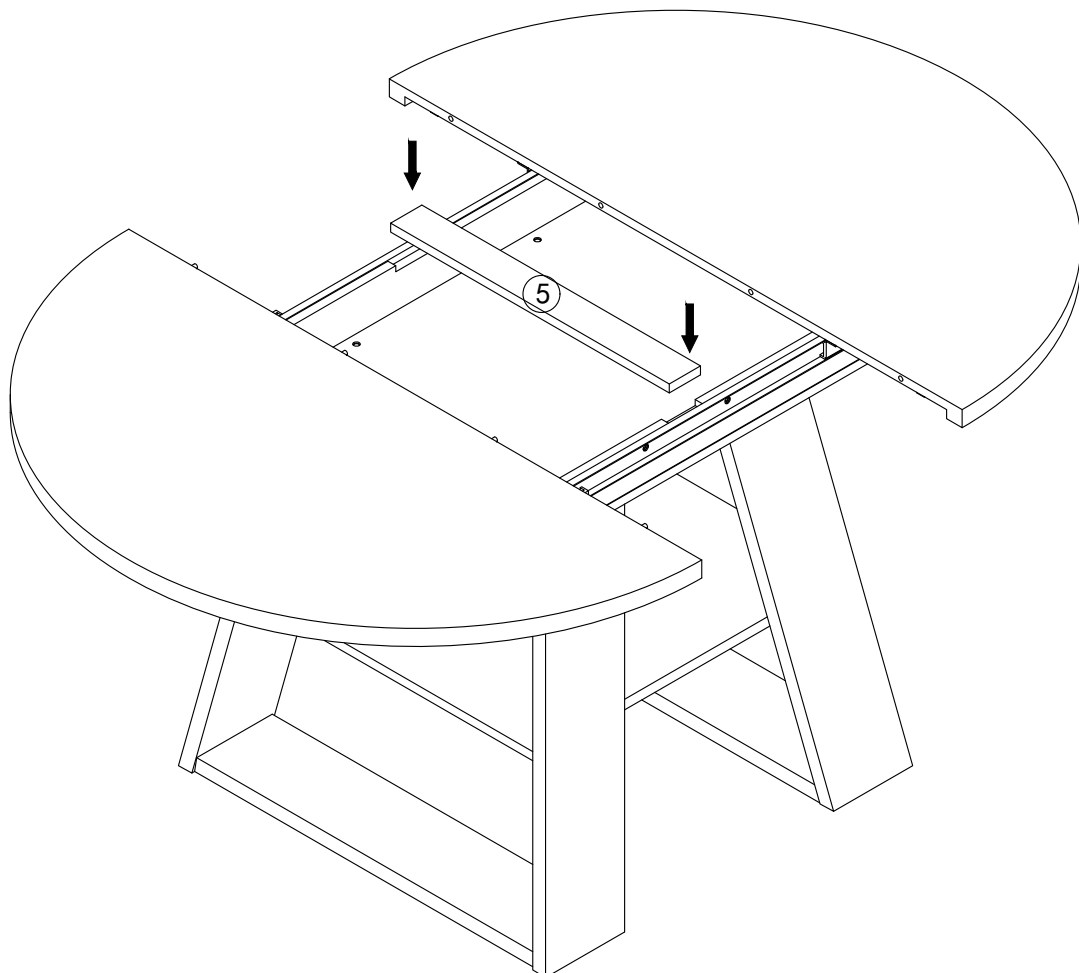


G	x1	D	x10
			
M4		M7*50mm	

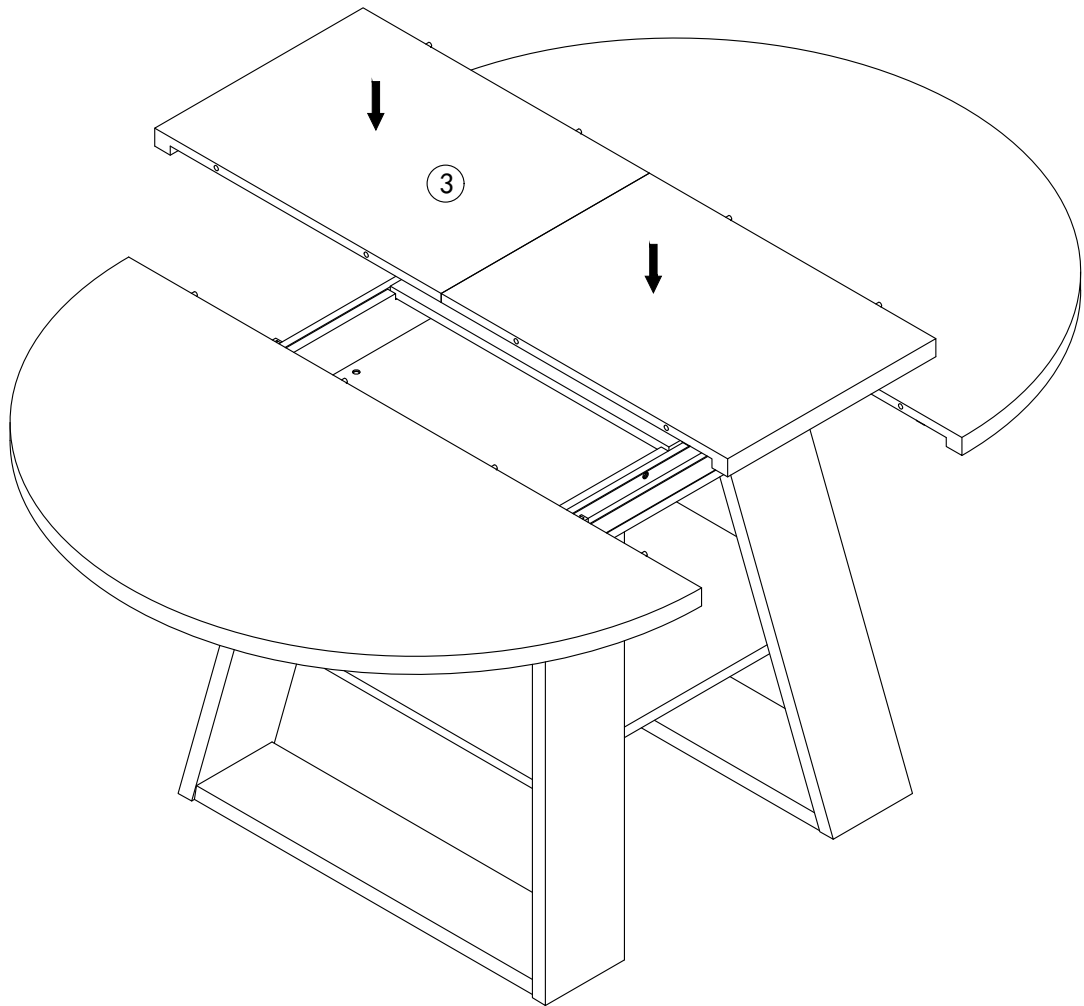
15



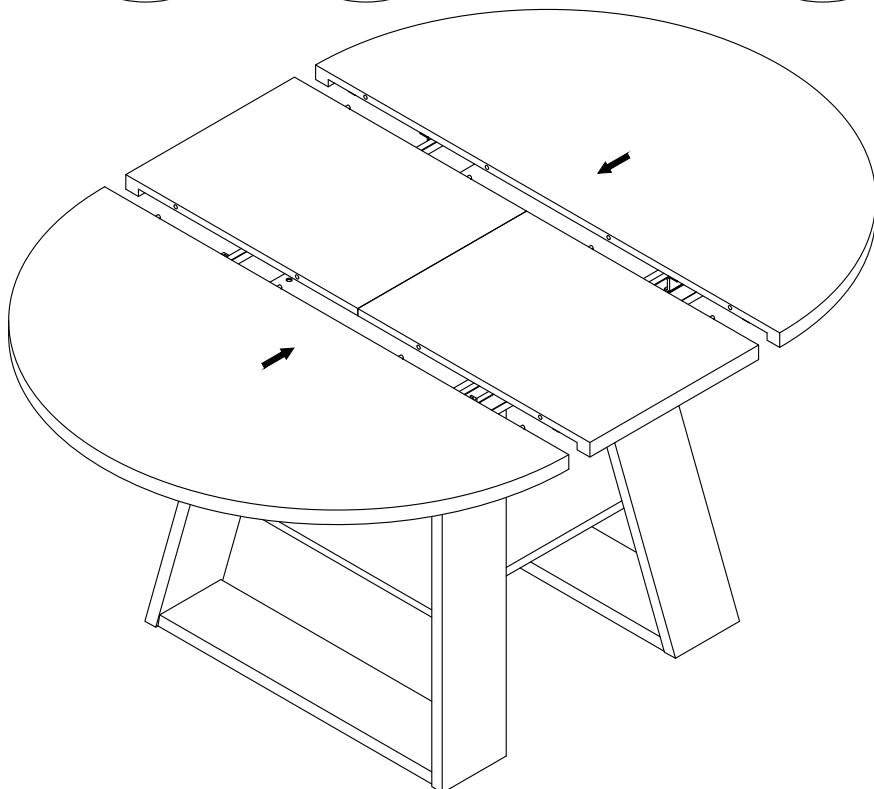
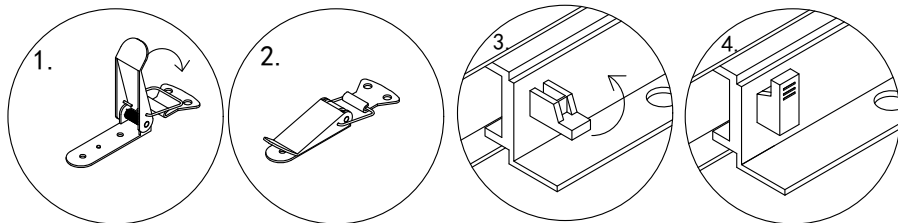
16



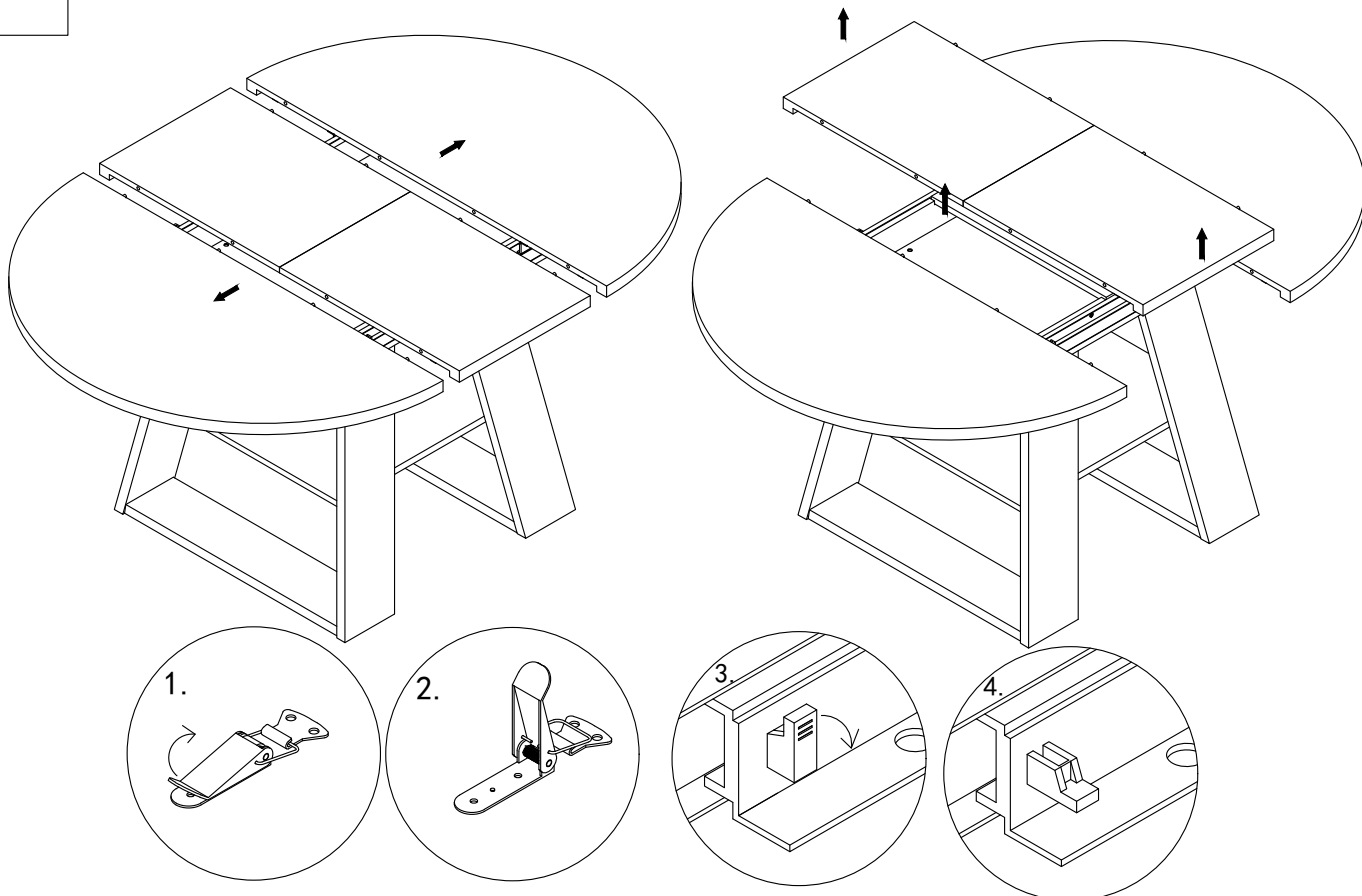
17



19



20



21

