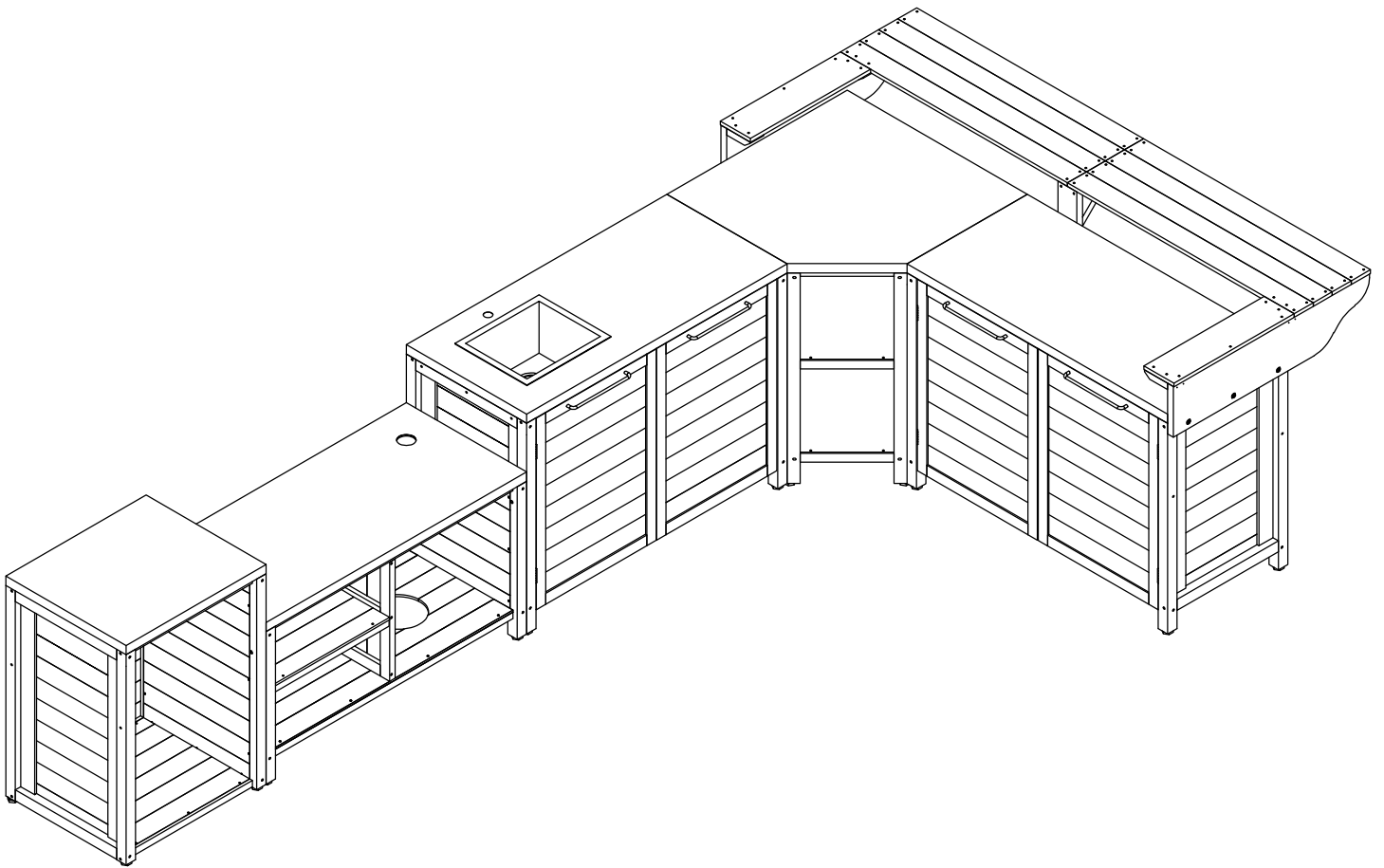


INSTALLATION

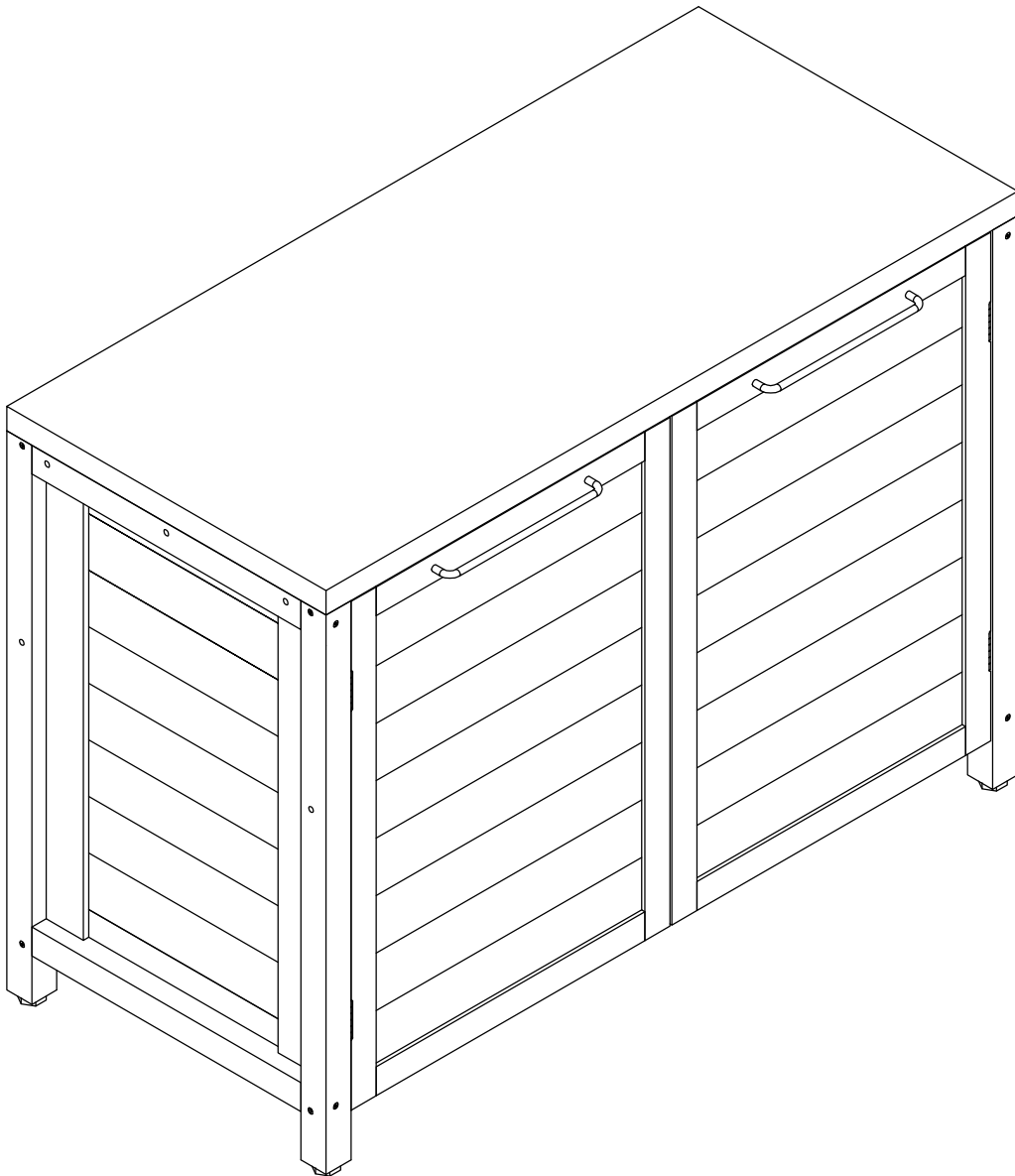
Product Manual

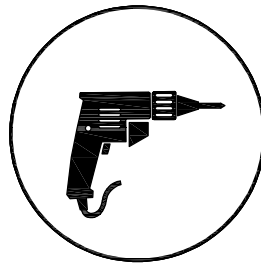
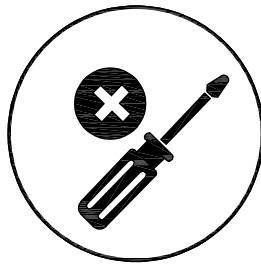
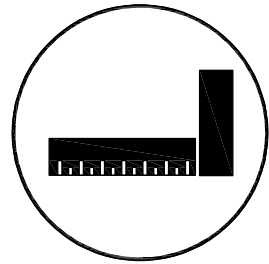
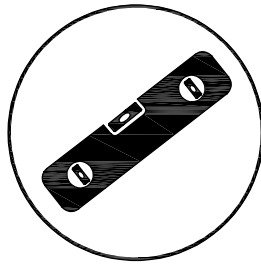
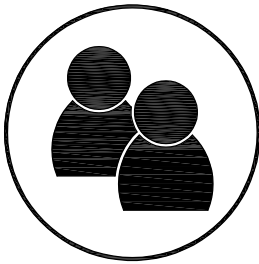
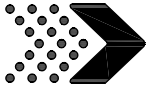
Version: 510038US-00-26A

Installation Instructions

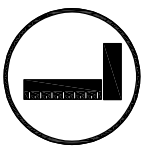


Installation Instructions

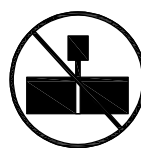




Icons and their uses you will see throughout this manual



You will need to make sure that your assembly is square before tightening your bolts.



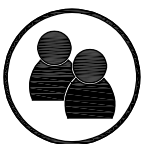
This icon warns you to not over tighten your bolts. This is to prevent structural damage and also splintering your wood.



For proper assembly you will need to ensure that your structure is level before proceeding to the next step.



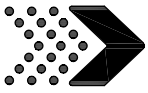
This icon will show you what drill attachments are needed. For this example you will need a Phillips head attachment .



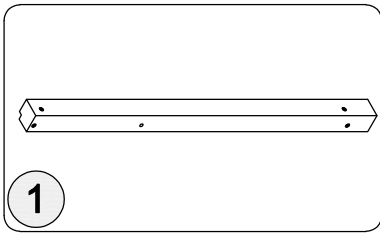
Some steps in the assembly process will require an extra set of hands. Make sure you have a helper available.



This size of the open-end wrench on these icons should correspond to the size of the nut.

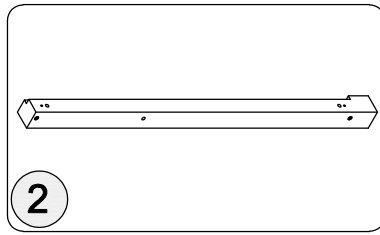


Wood Components (Not to Scale)



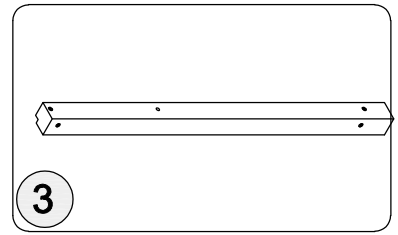
1

Left front pillar
Qty: 1



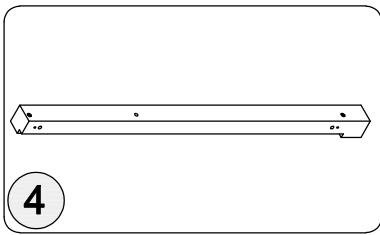
2

Left rear pillar
Qty: 1



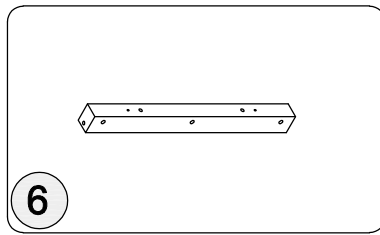
3

Right front pillar
Qty: 1



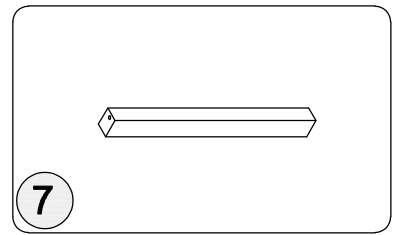
4

Right rear pillar
Qty: 1



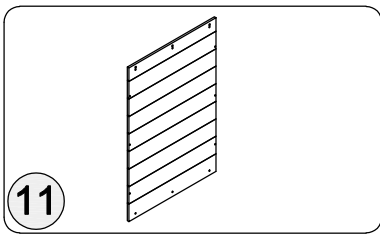
6

Left and right upper strips
Qty: 2



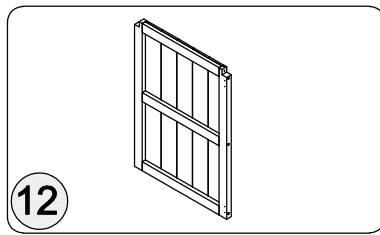
7

Left and right lower bars
Qty: 2



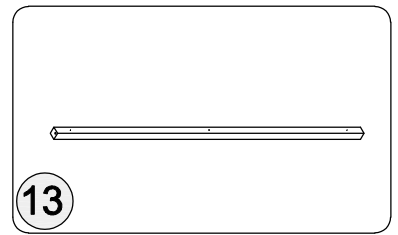
11

Left and right core boards
Qty: 2



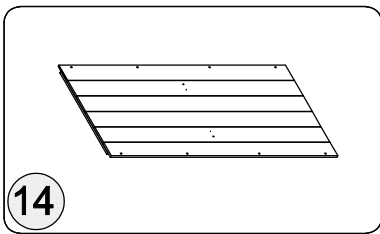
12

Middle side panel
Qty: 1



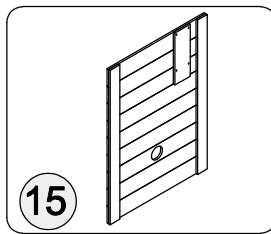
13

Bottom support strip
Qty: 2



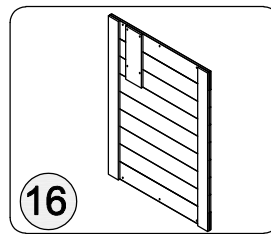
14

Bottom core board
Qty: 1



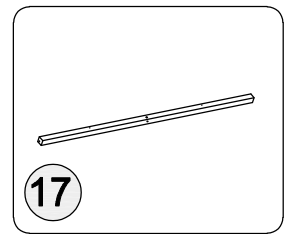
15

Left backplane
Qty: 1



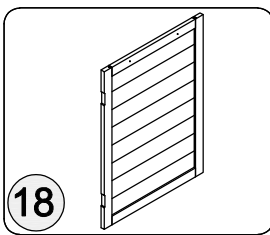
16

Right Backplane
Qty: 1



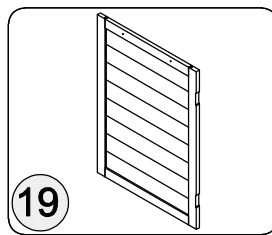
17

Front pull strips
Qty: 1



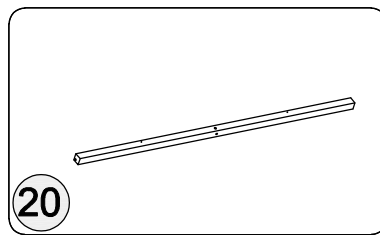
18

left door panel
Qty: 1



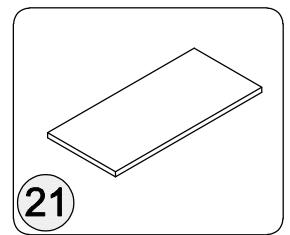
19

Right door panel
Qty: 1



20

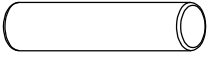
Rear pull strips
Qty: 1




21

panel
Qty: 1


Hardware Components

	
Ø8*30	
(A)	x 24


Wooden tenons

	
M4*25	
(B)	x 44

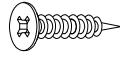
Screw

	
M4*45	
(C)	x 8


Screw

	
M5*70	
(D)	x 20

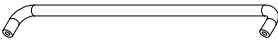
Screw

	
M3*16	
(E)	x 44


Screw

	
M4*60	
(F)	x 2

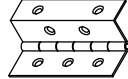
Screw

	
(G)	x 2


door handle

	
(H)	x 4


Door stopper

	
L=62	
(I)	x 4


Hinge

	
M4*25	
(J)	x 4


Screw

	
(K)	x 1

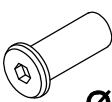
Outlet box

	
M6	
(S)	x 1

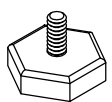
screwdriver

	
M6*80	
(U)	x 2

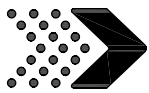
screws

	
Ø8*M6*20	
(V)	x 2

nut

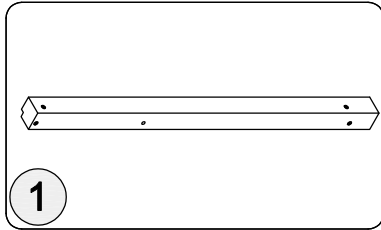
	
(P)	x 4

Adjusting Wheel

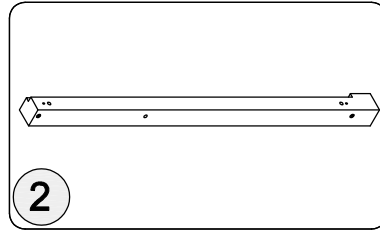


Installation of left pull strip

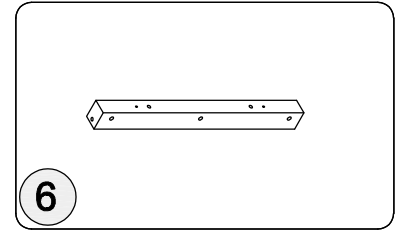
Step 1



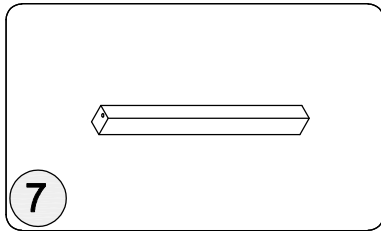
1
Left front pillar
Qty: 1



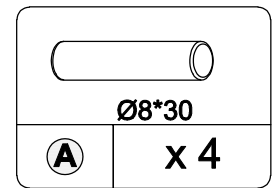
2
Left rear pillar
Qty: 1



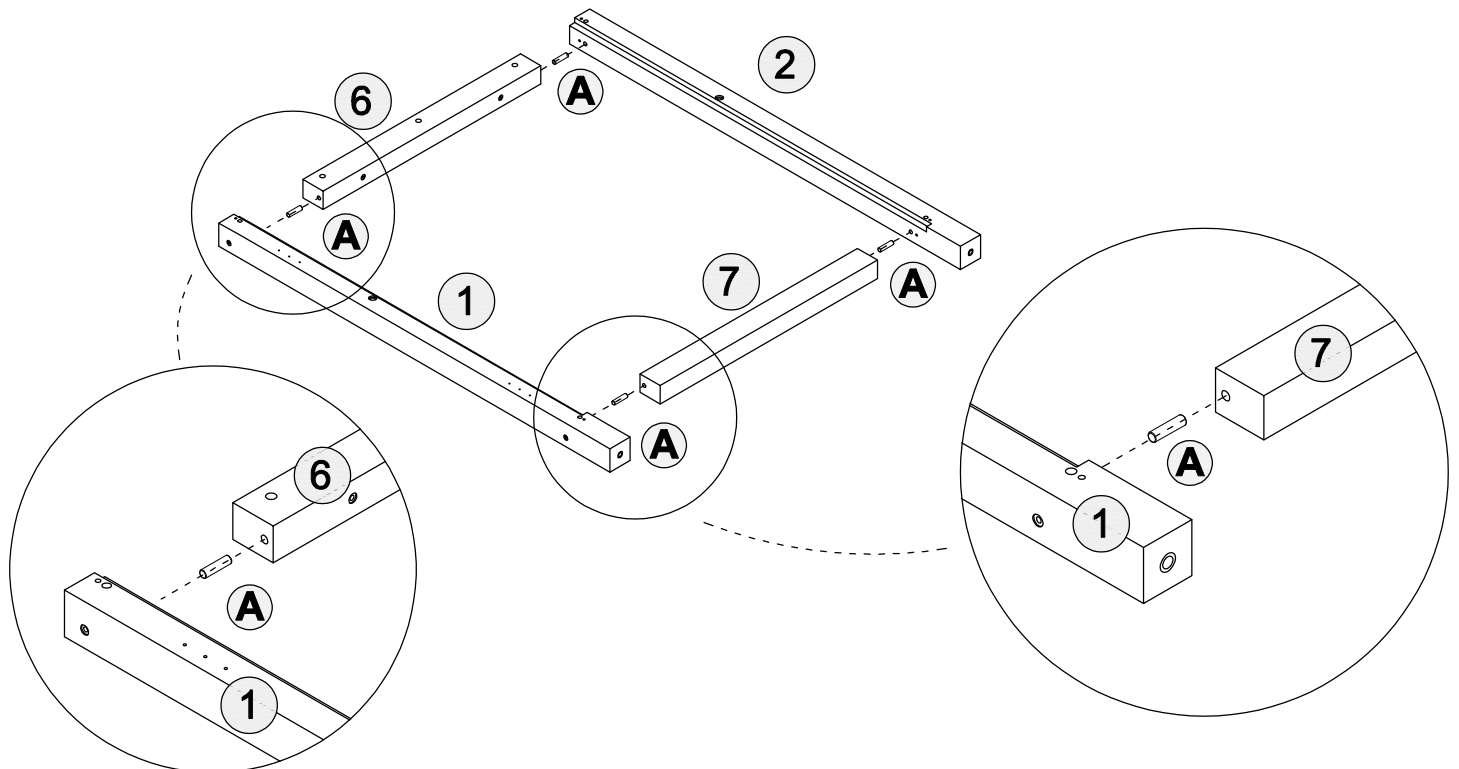
6
Left and right upper strips
Qty: 1

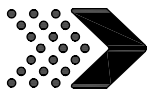


7
Left and right lower bars
Qty: 1



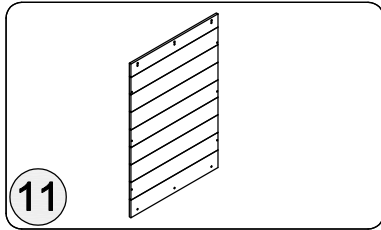
1. Connect the components with hardware A, ensuring the correct hole positions





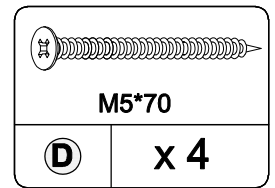
Installation of left core board

Step 2

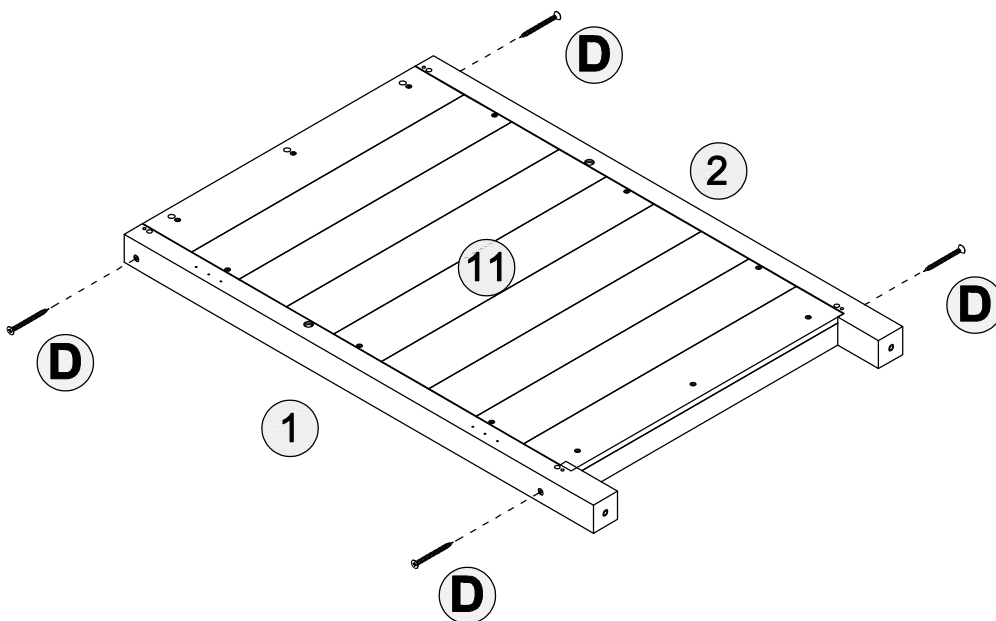
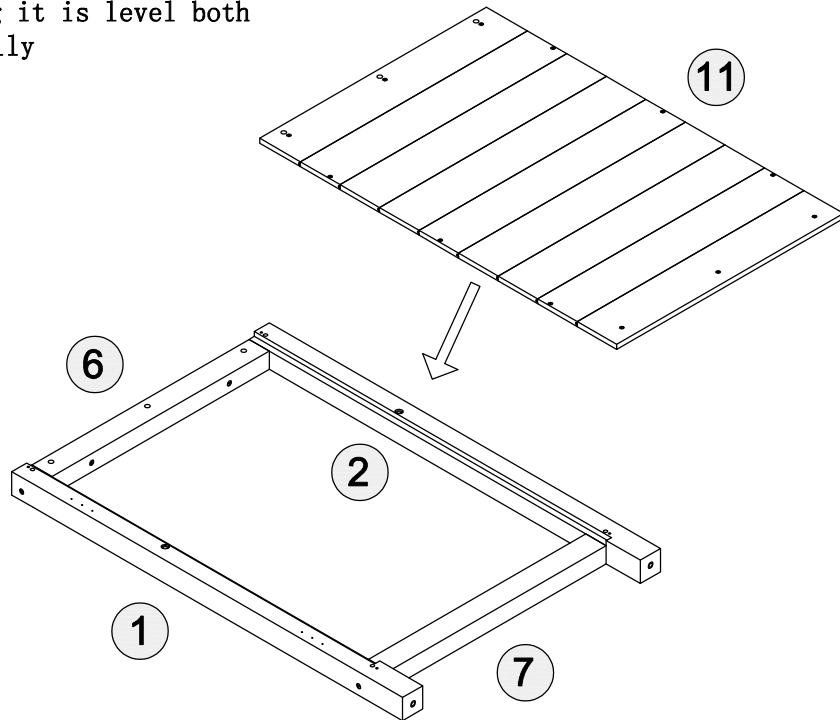


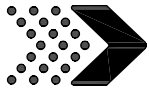
Left and right core boards

Qty: 1


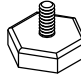


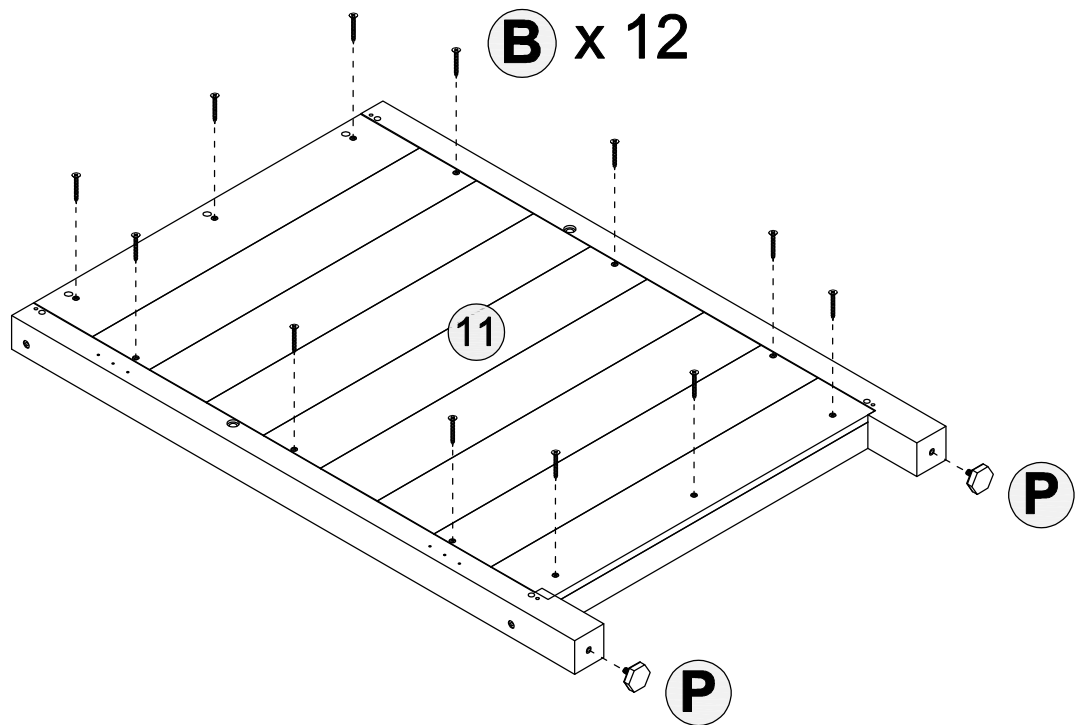
1. Insert part 11, ensuring it is level both vertically and horizontally
2. Install hardware D

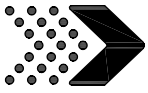




1. Install hardware B
2. Rotate clockwise to install and adjust the foot

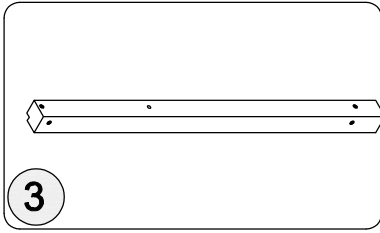
	
M4*25	
B	x 12
	
P	x 2



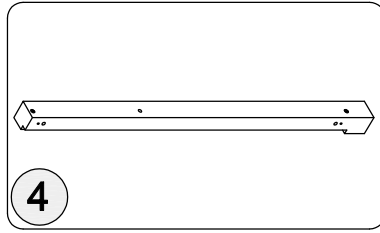


Installation of the right pull strip

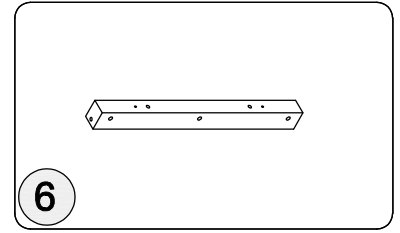
Step 4



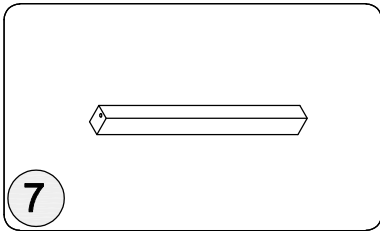
Right front pillar
Qty: 1



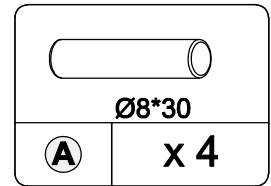
Right rear pillar
Qty: 1



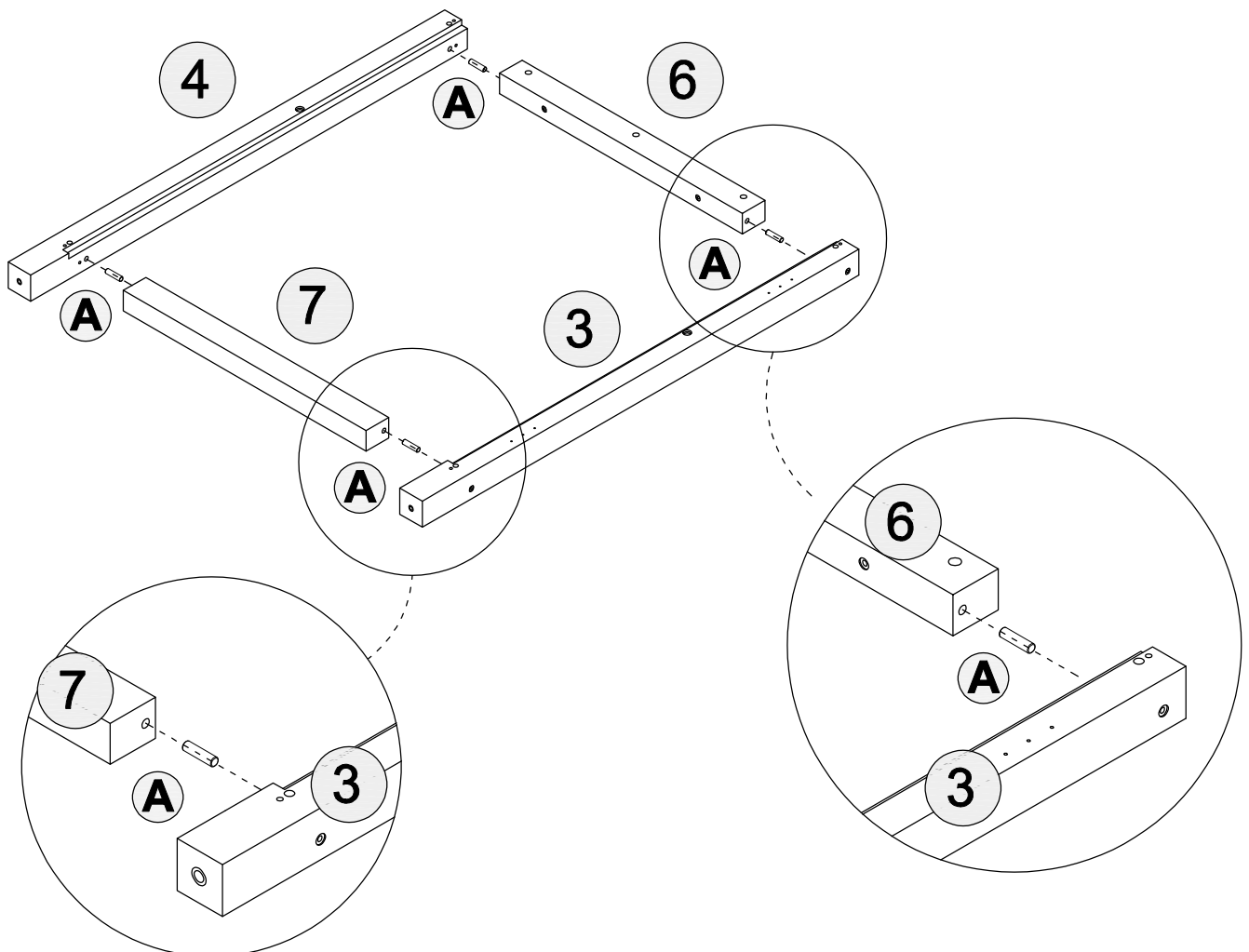
Left and right upper strips
Qty: 1

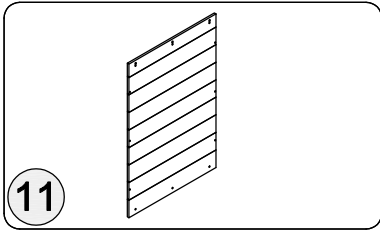
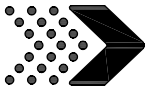


Left and right lower bars
Qty: 1



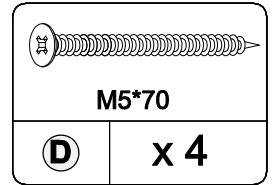
1. Connect the components with hardware A, ensuring the correct hole positions



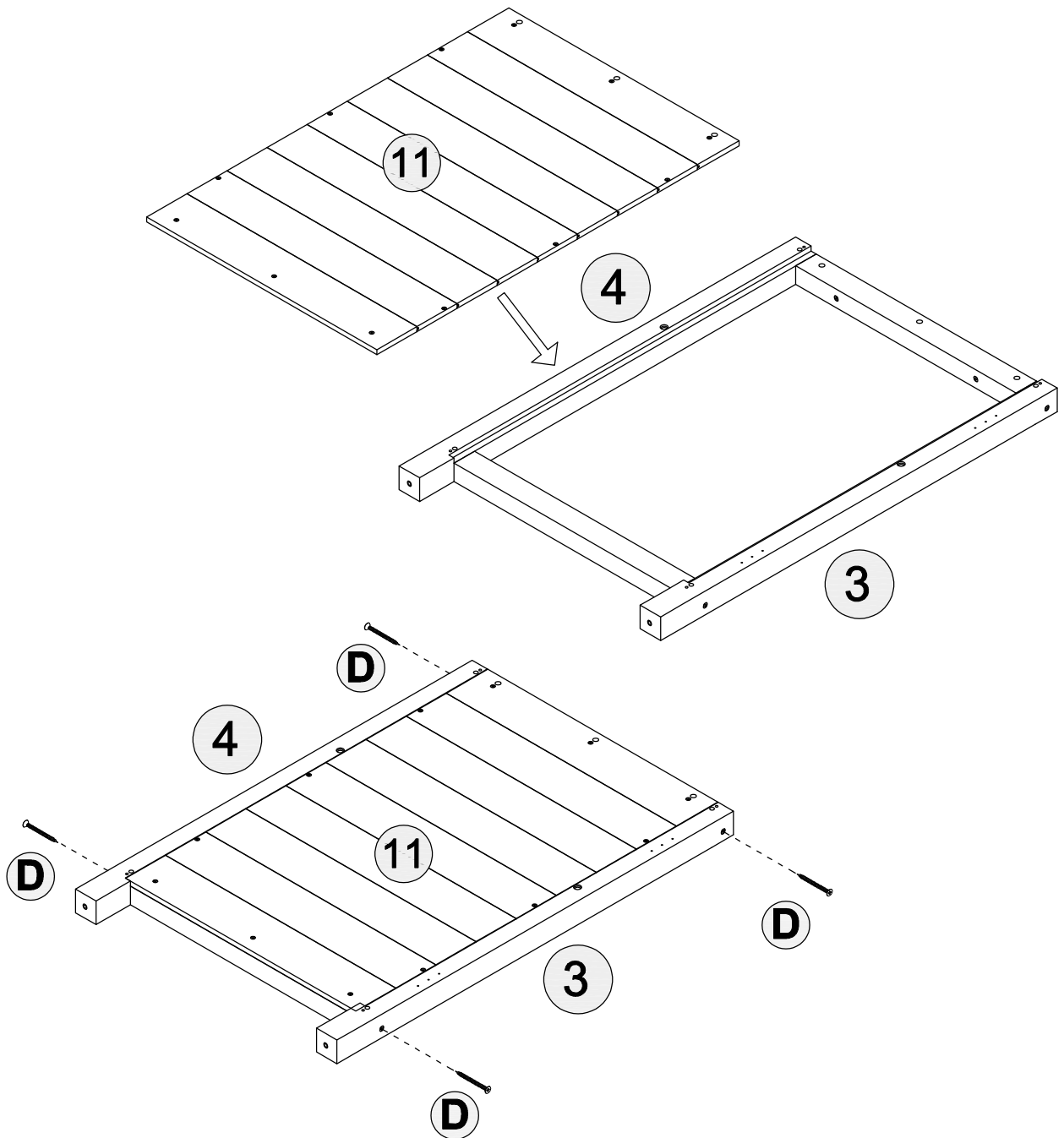


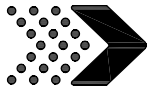
Left and right core boards

Qty: 1



1. Insert part 11, ensuring it is level both vertically and horizontally
2. Install hardware D





M4*25

B

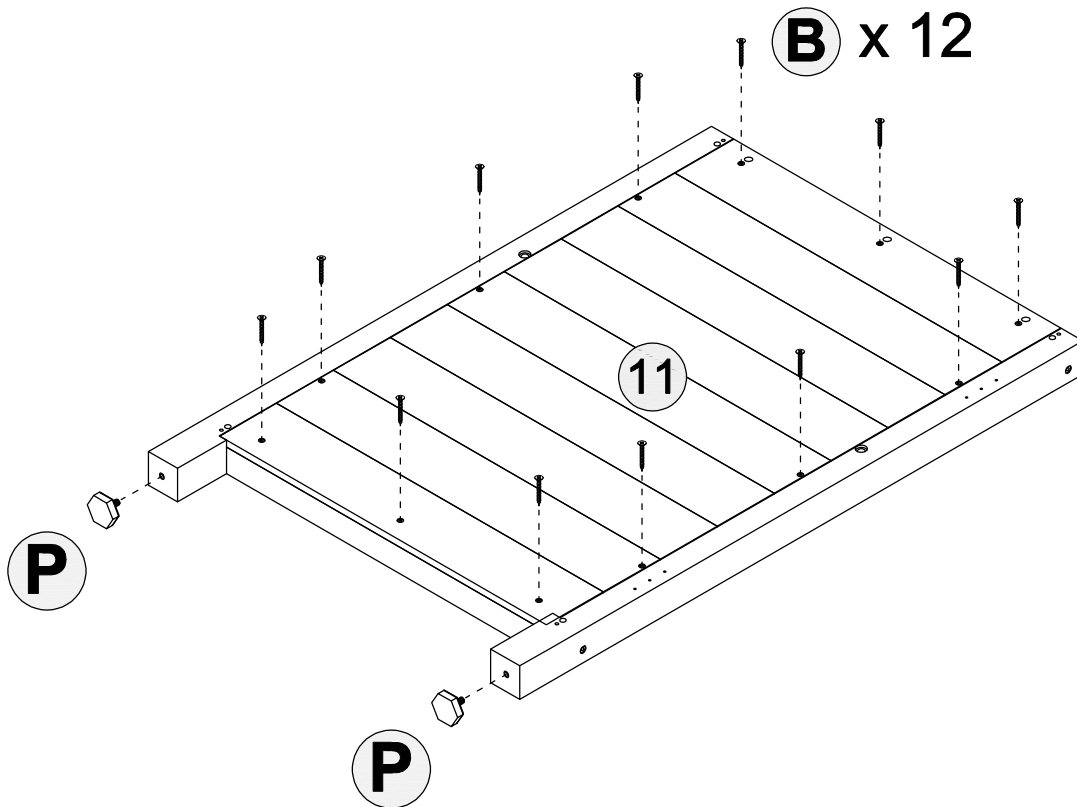
x 12

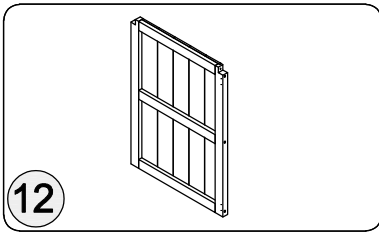


P



x 2

1. Install hardware B
2. Rotate clockwise to install and adjust the foot

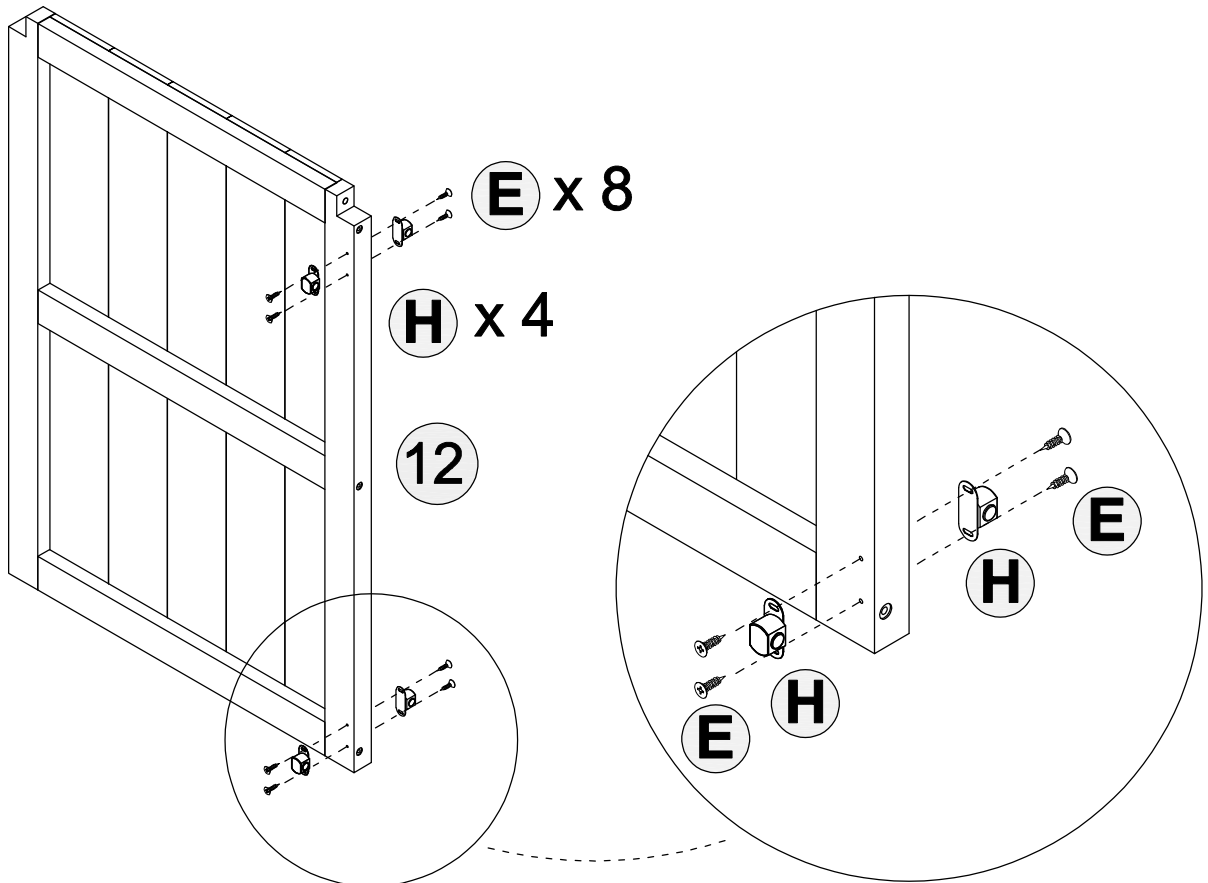


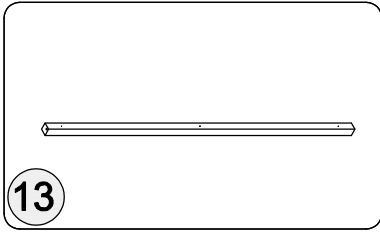


Middle side panel
Qty: 1

	
M3*16	
E	x 8
	
H1	
H	x 4

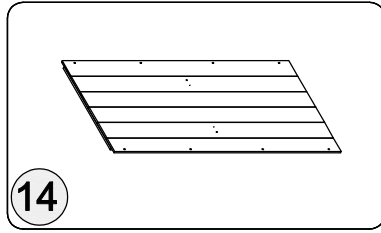
1. Use hardware E to pass through hardware H and install it towards the lead hole





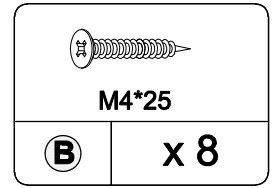
13

Bottom support strip
Qty: 2

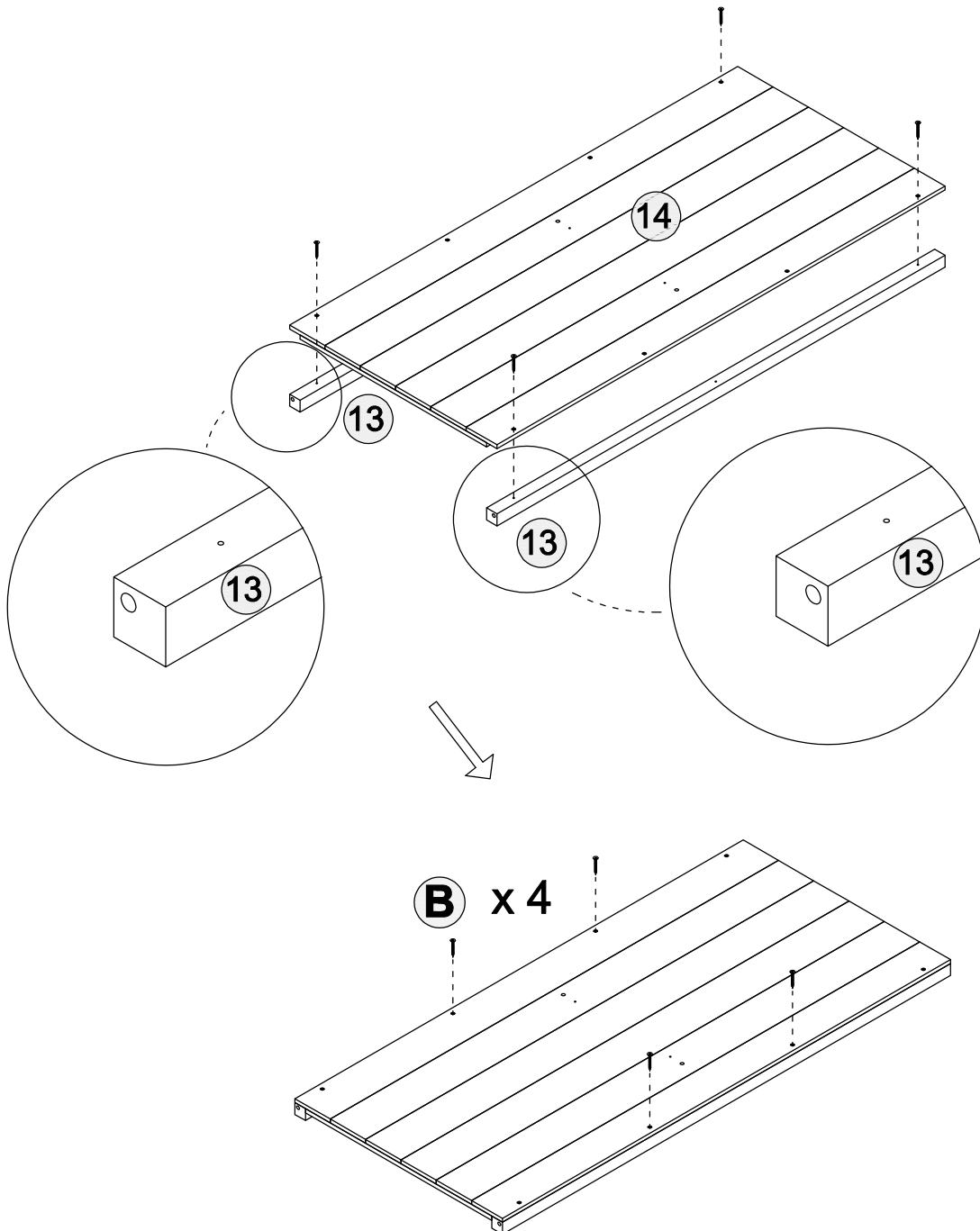


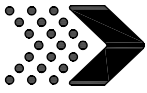
14

Bottom core board
Qty: 1



1. Use hardware B to pass through component 14 and install it towards the lead hole

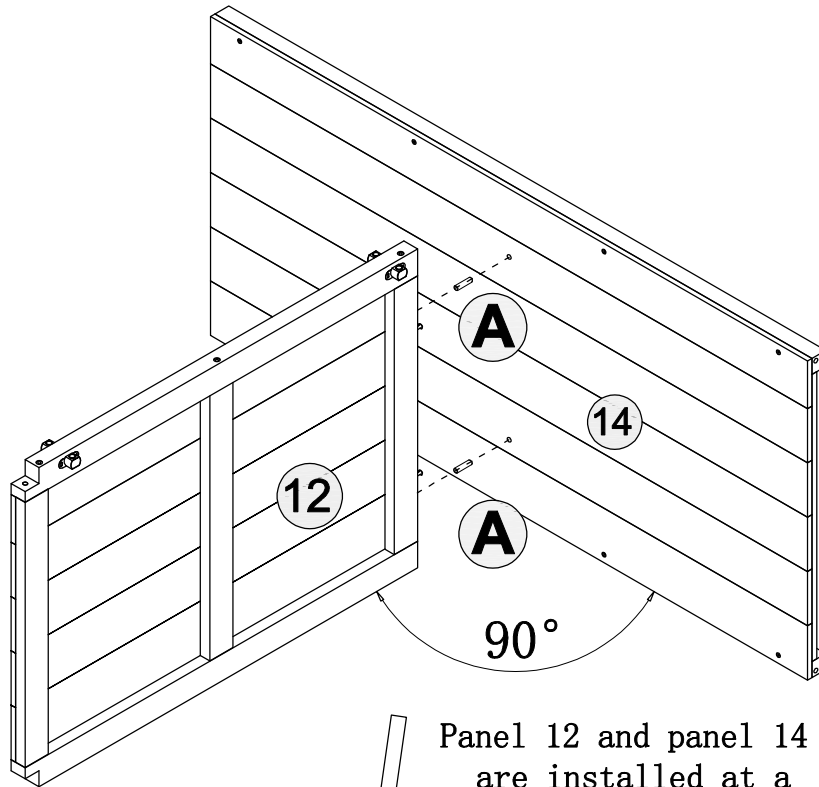
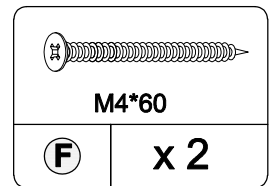
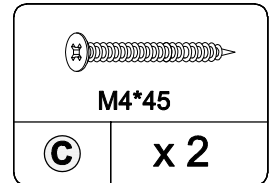
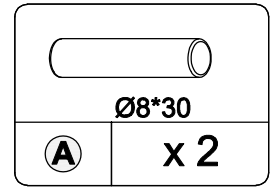




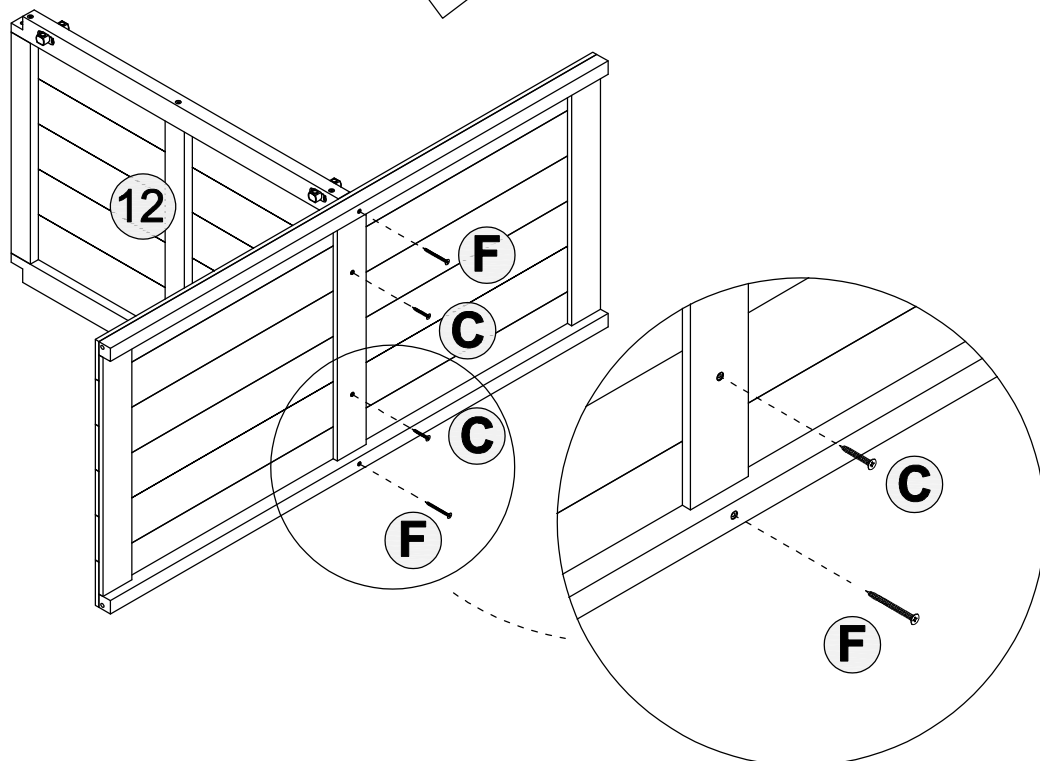
Installation of middle side panel

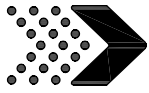
Step 9

1. Connect the components with hardware A
2. Pay attention to the positions of hardware C and F, and install them separately



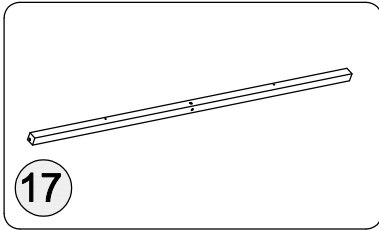
Panel 12 and panel 14
are installed at a
90-degree angle



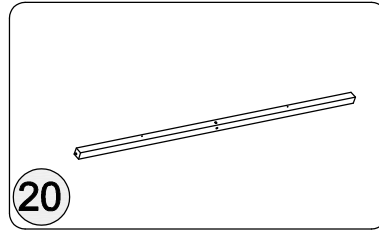


Installation of pull-up strip

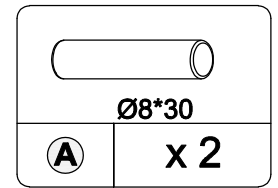
Step 10



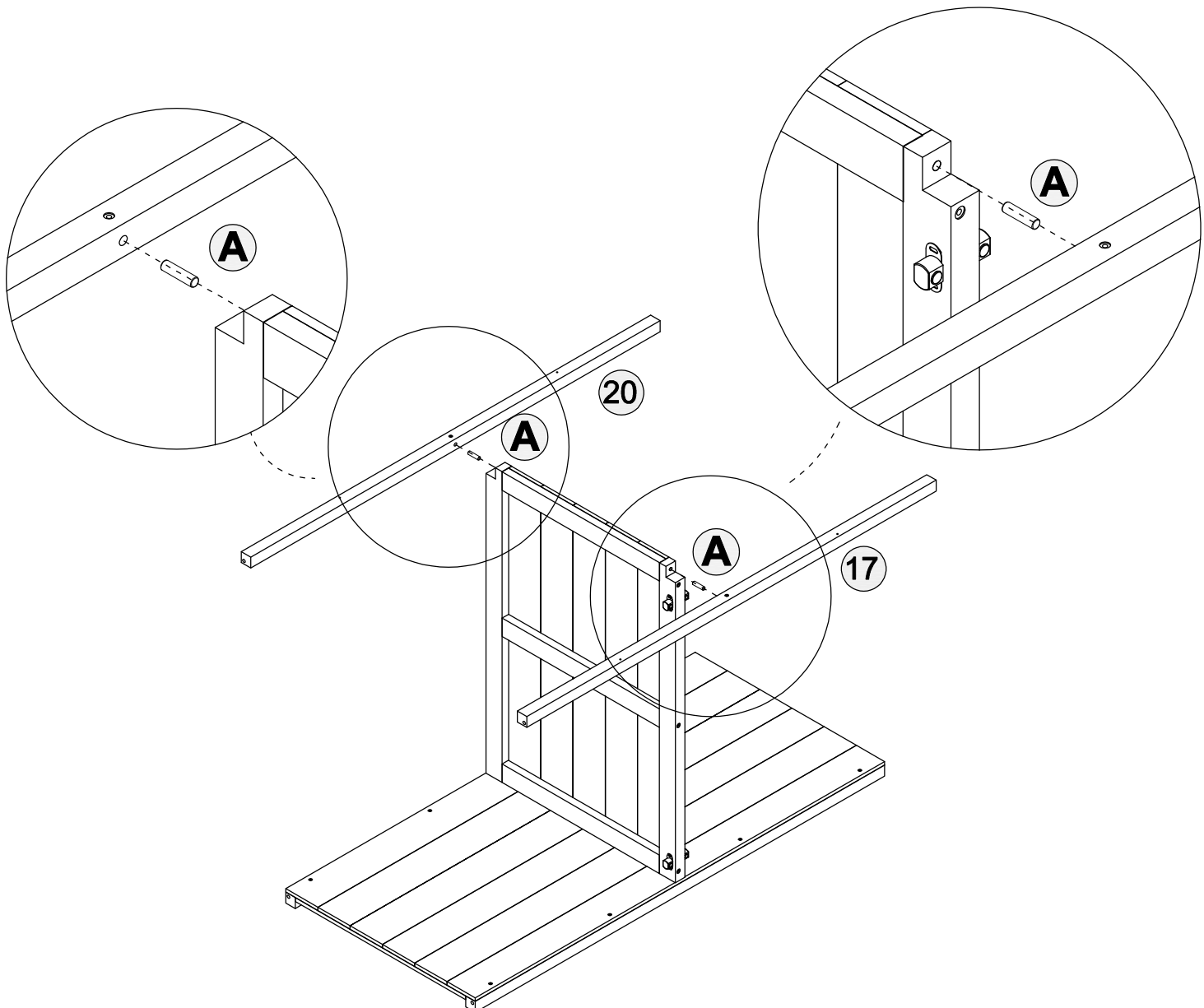
Front pull strips
Qty: 1




Rear pull strips
Qty: 1

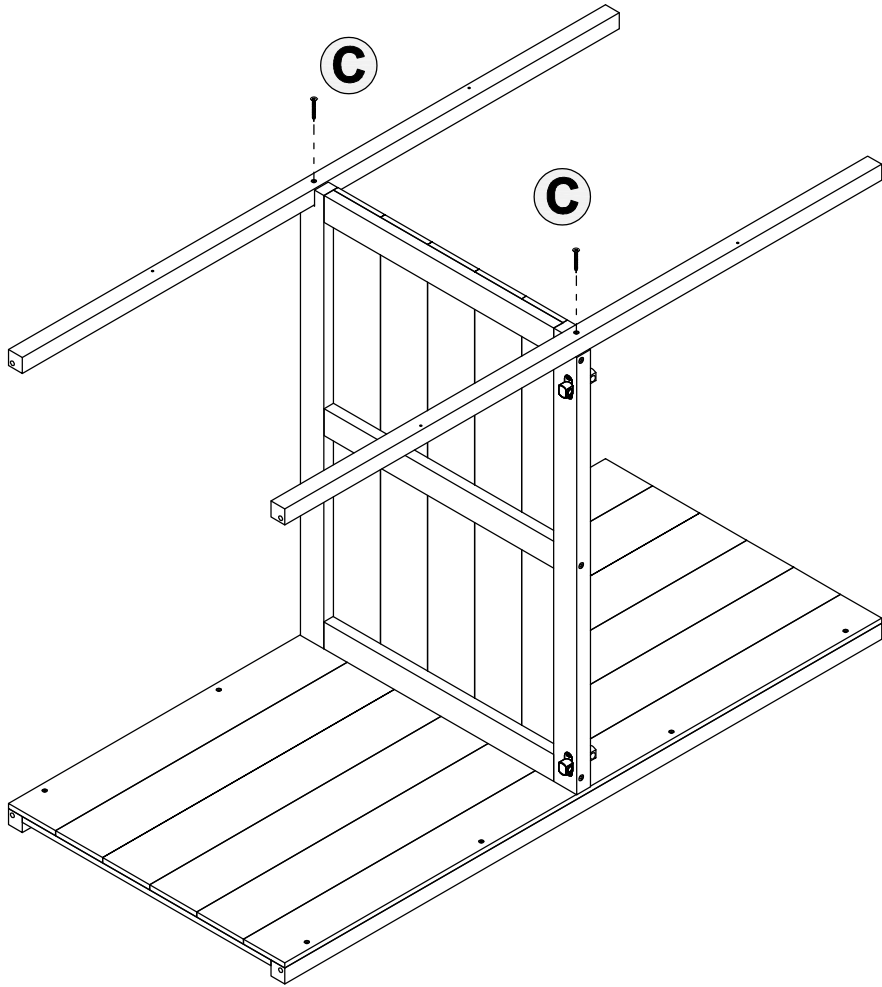


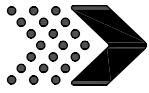
1. Connect the components with hardware A, ensuring the correct hole positions



1. Install hardware C

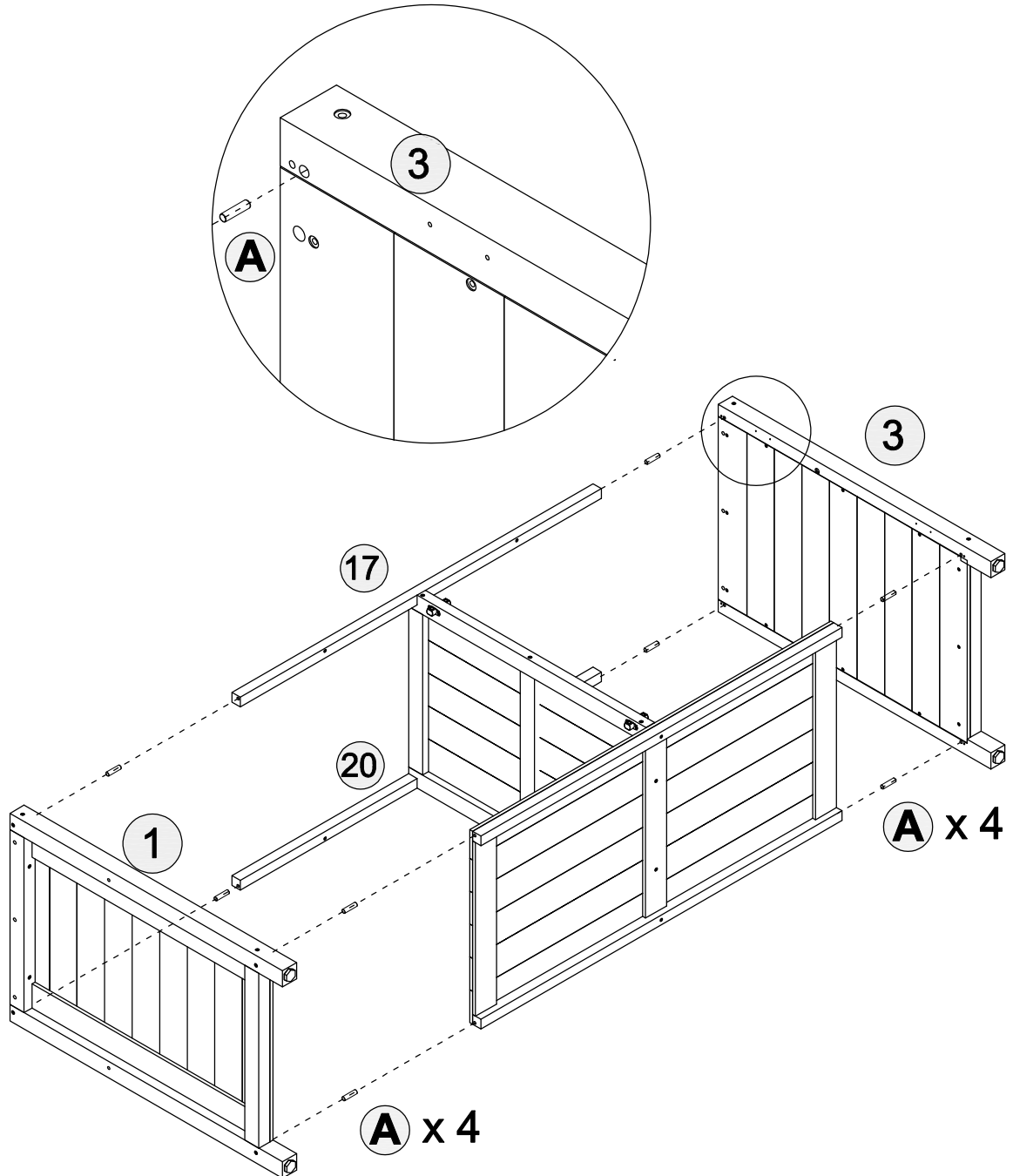
	
M4*45	
C	x 2






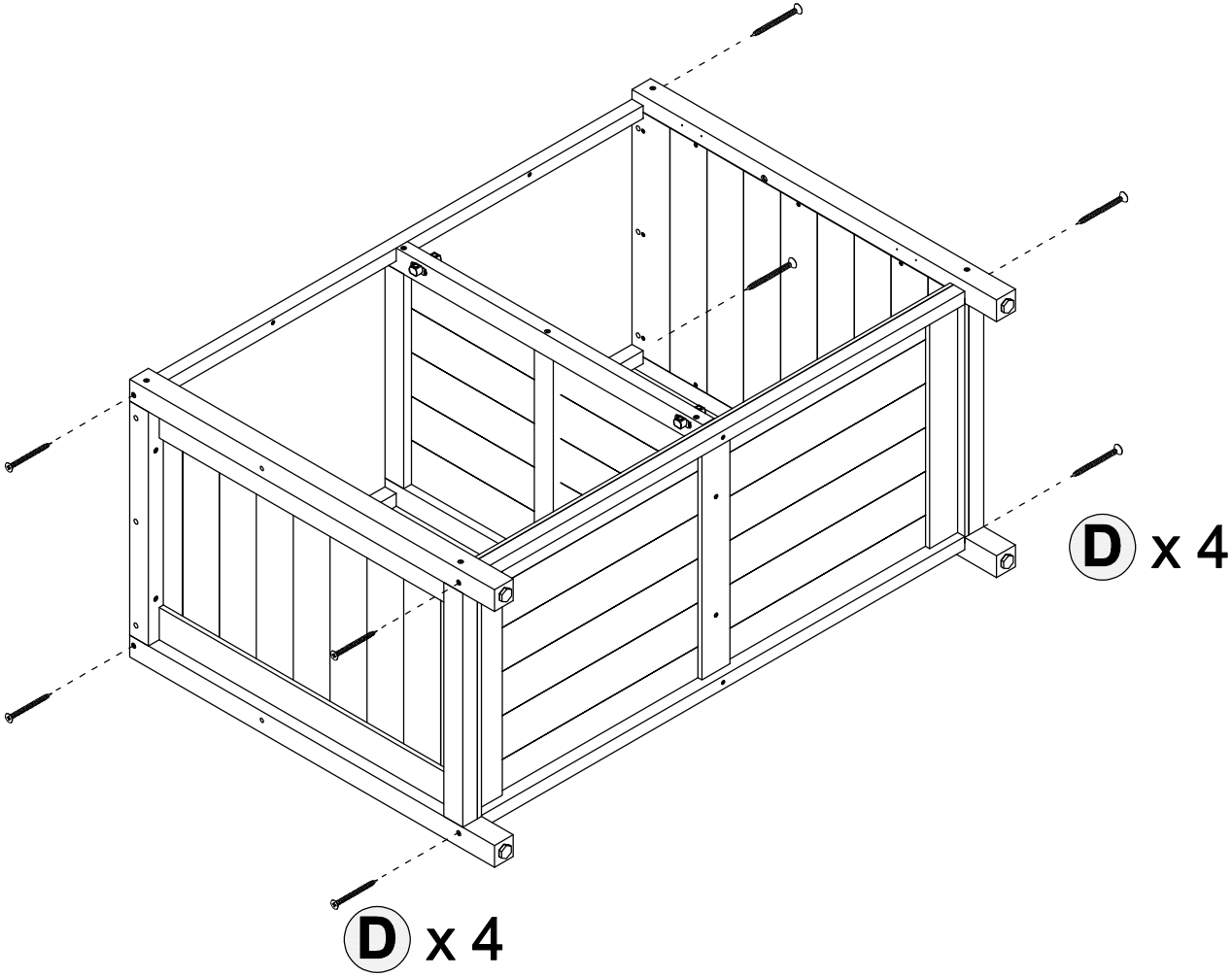
Ø8*30	
A	x 8

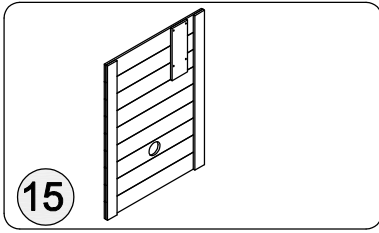
1. Connect the components with hardware A, ensuring the correct hole positions



	
M5*70	
D	x 8

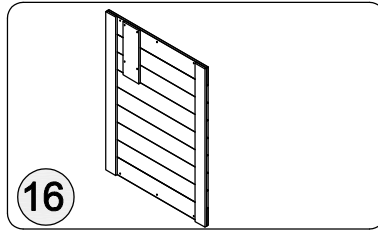
1. Install hardware D





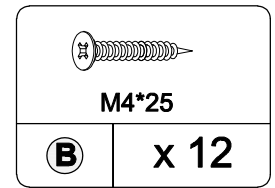
15

Left backplane
Qty: 1

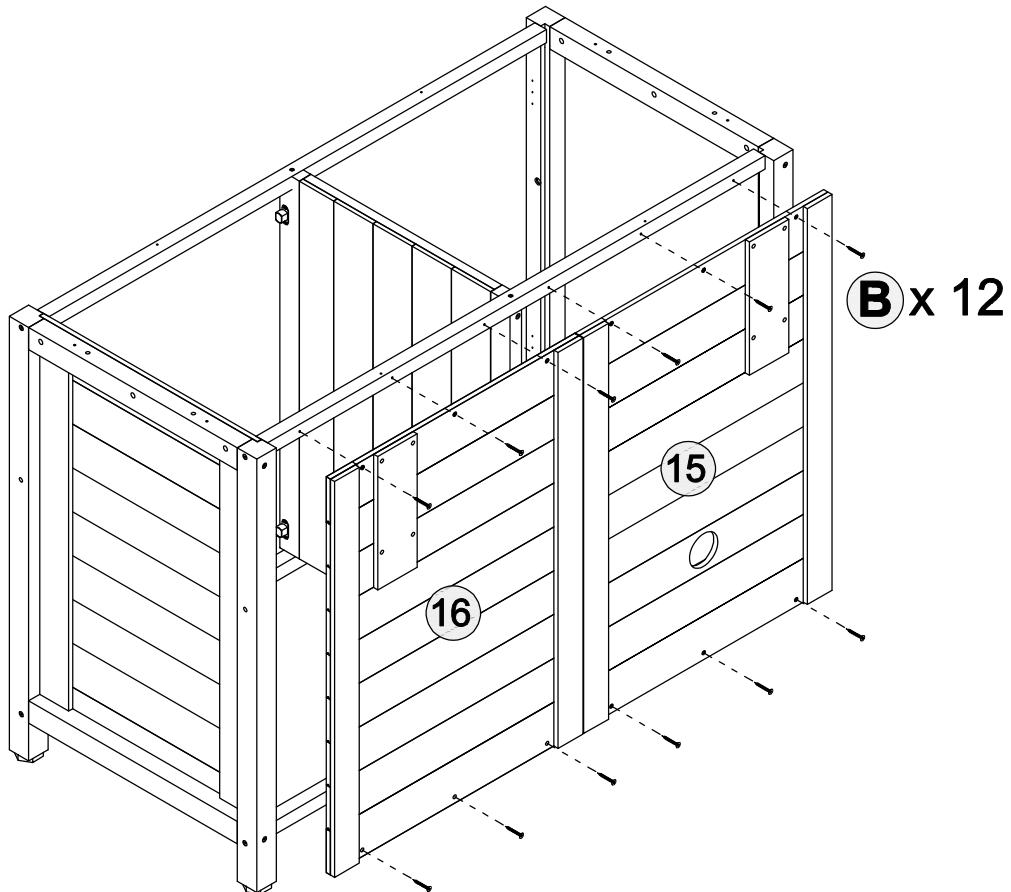


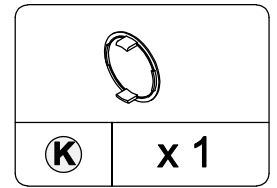
16

Right Backplane
Qty: 1

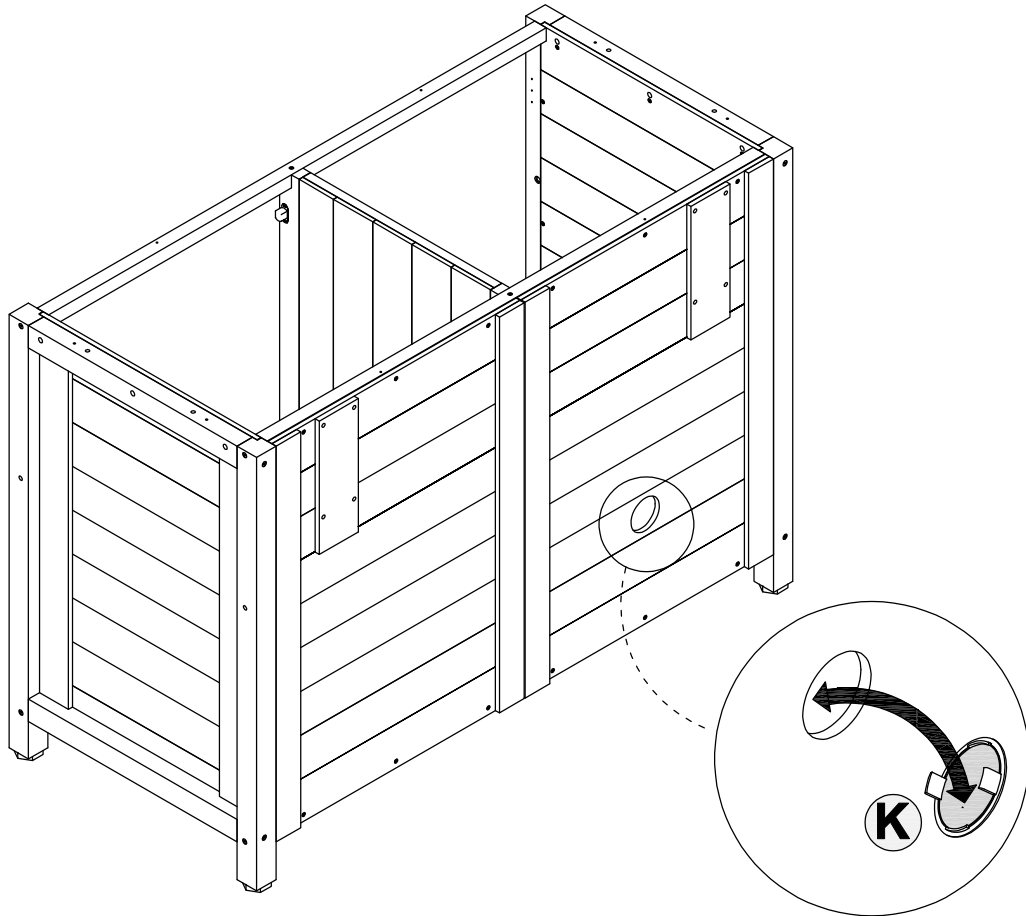


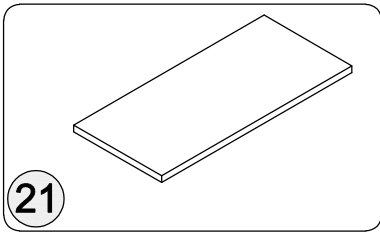
1. First, use hardware B to pass through components 15 and 16 and install them with their faces facing the lead holes
2. After aligning components 15 and 16, install the holes below with hardware B





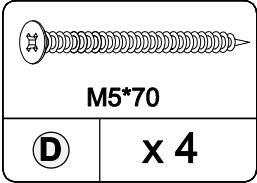
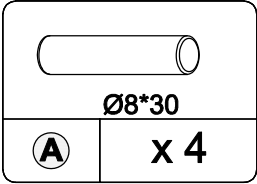
1. Install hardware K into the ventilation hole



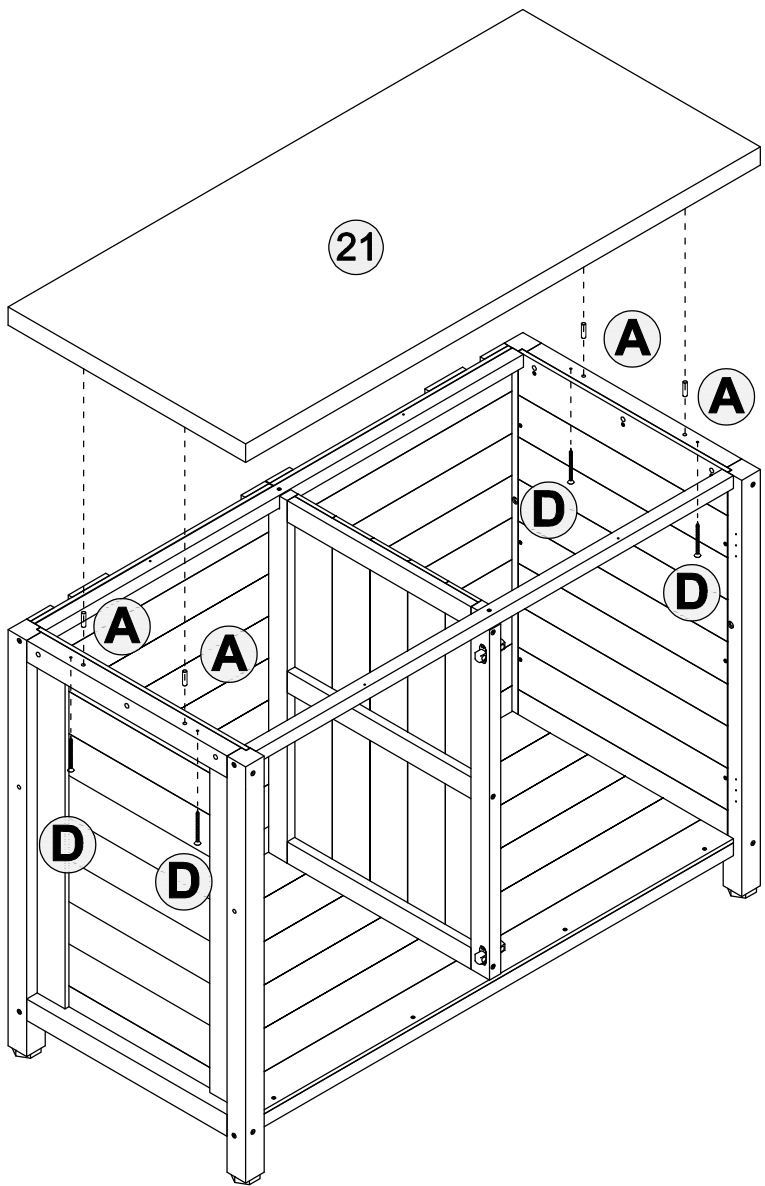


panel

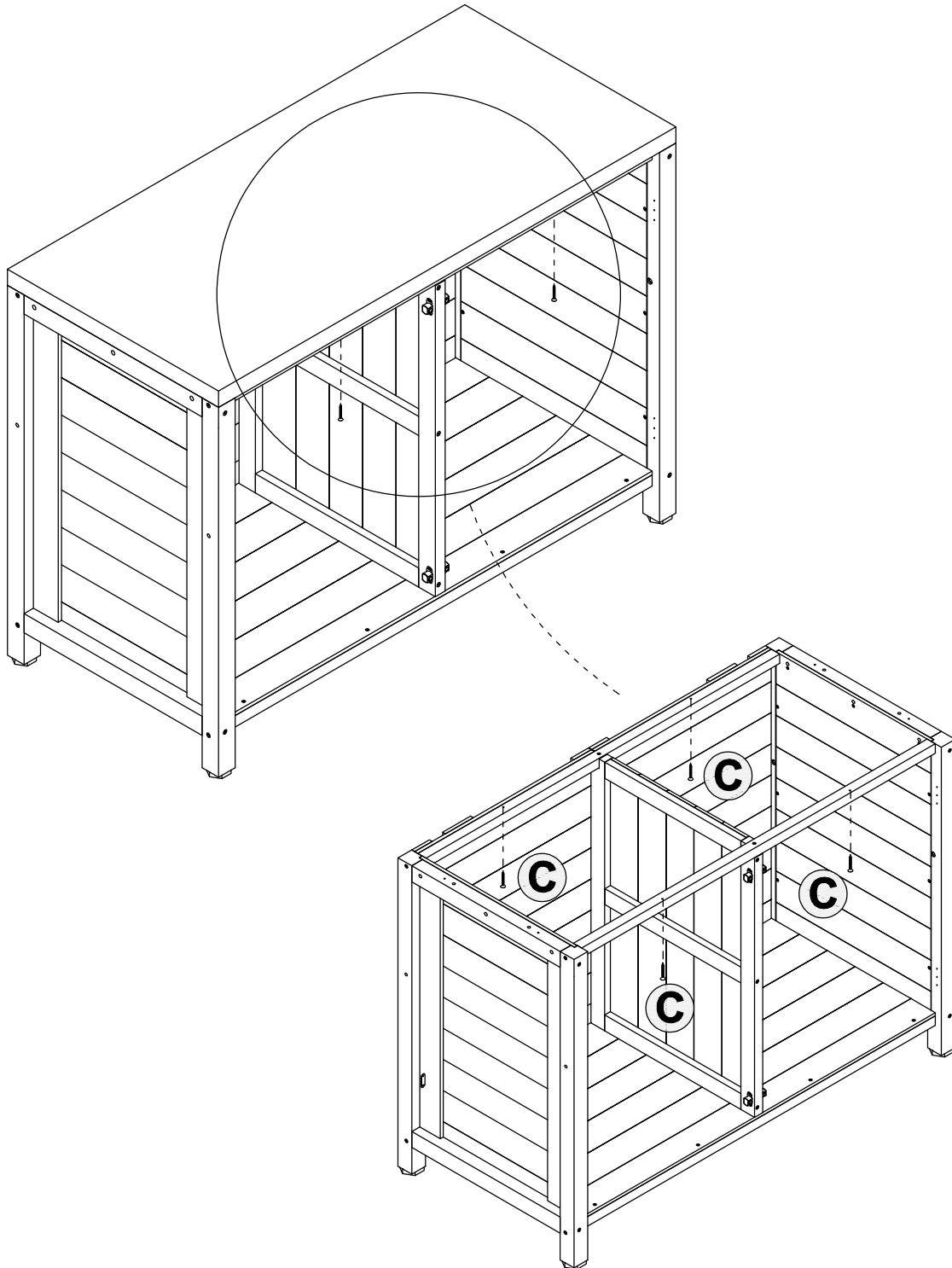
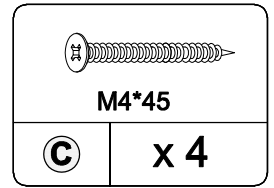
Qty: 1

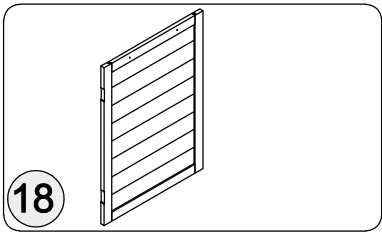


1. Connect with hardware A first, then install with hardware D




1. Install hardware C inside the cabinet




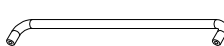


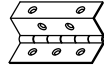
left door panel
Qty: 1

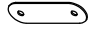
1. Facing the lead hole, install hardware H, I with hardware E, and Install hardware G with hardware J

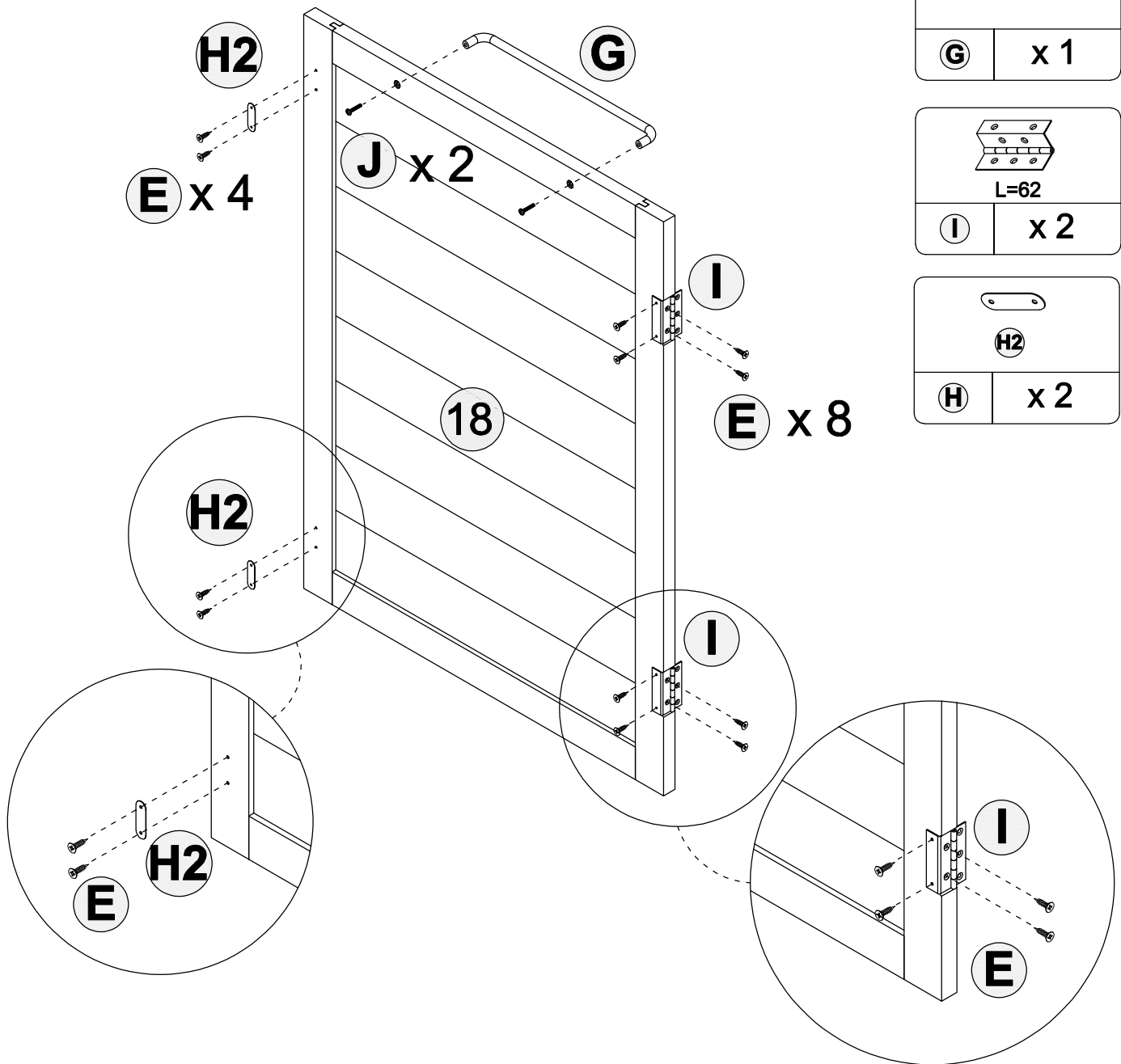
	
M3*16	
E	x 12

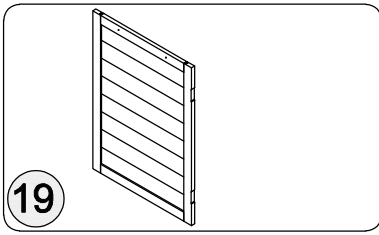
	
M4*25	
J	x 2

	
G	x 1

	
L=62	
I	x 2

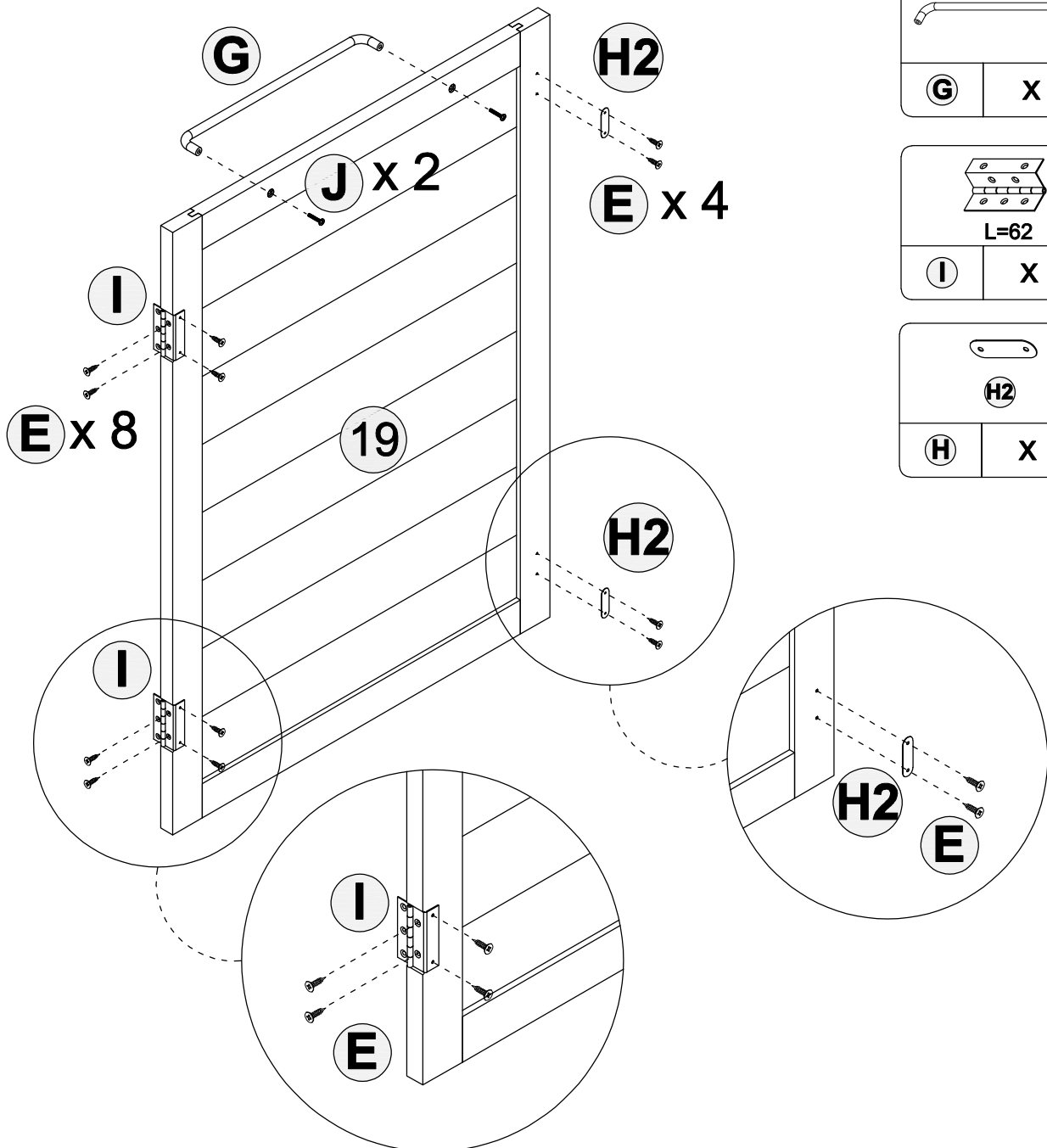
	
H2	
H	x 2








Right door panel
Qty: 1

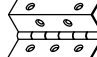
1. Facing the lead hole, install hardware H, I with hardware E, and Install hardware G with hardware J

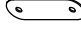



	
M3*16	
E	x 12


	
M4*25	
J	x 2

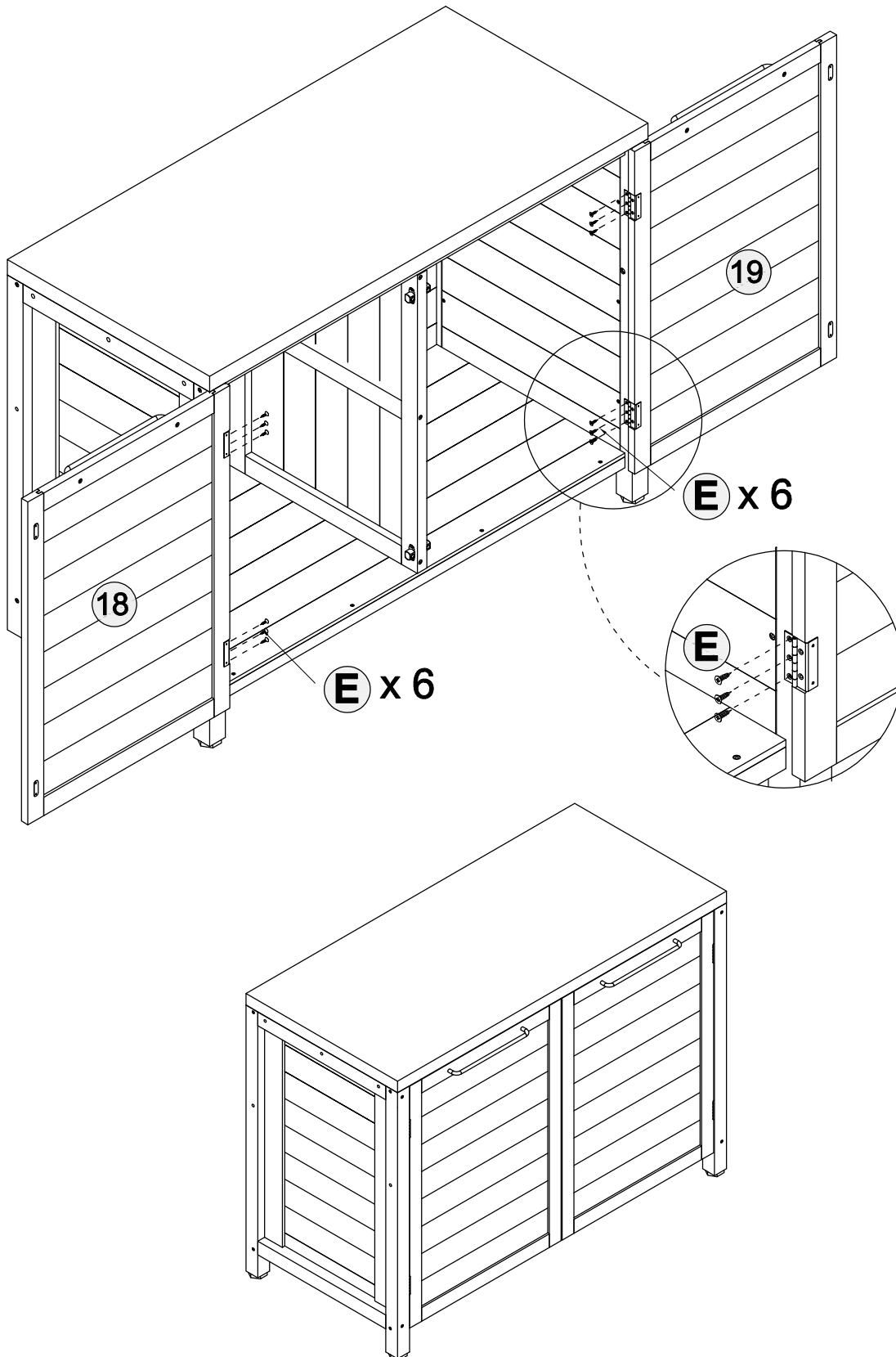
	
G	x 1

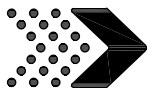
	
L=62	
I	x 2

	
H2	
H	x 2

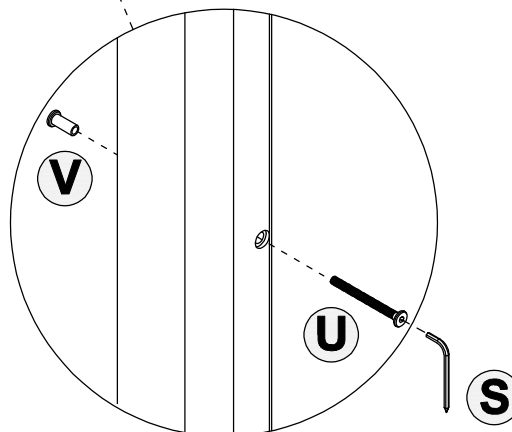
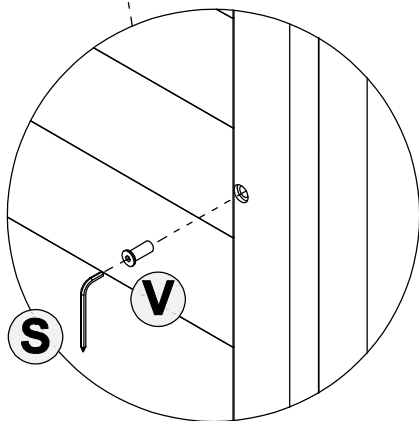
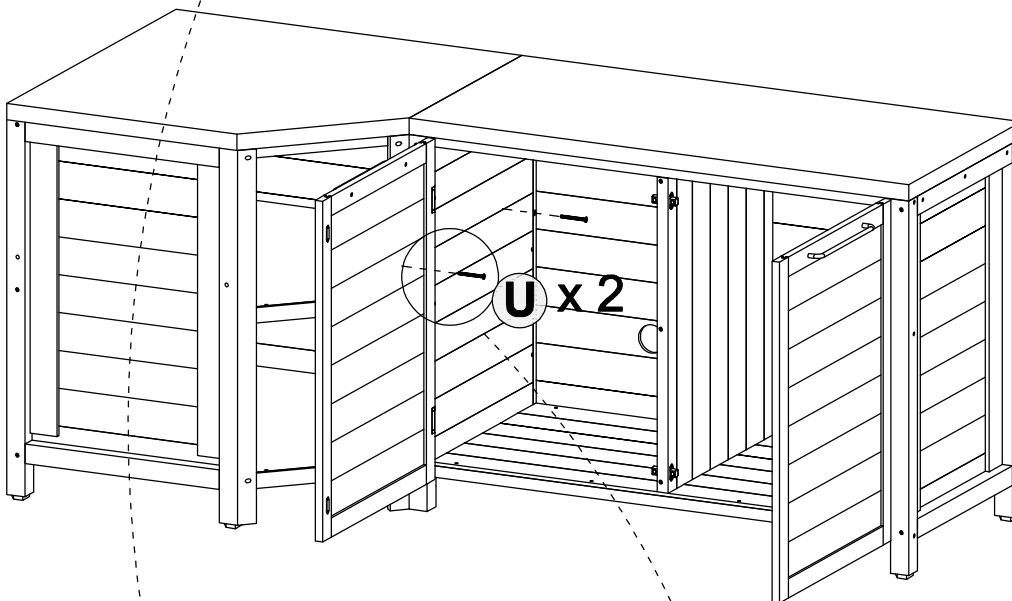
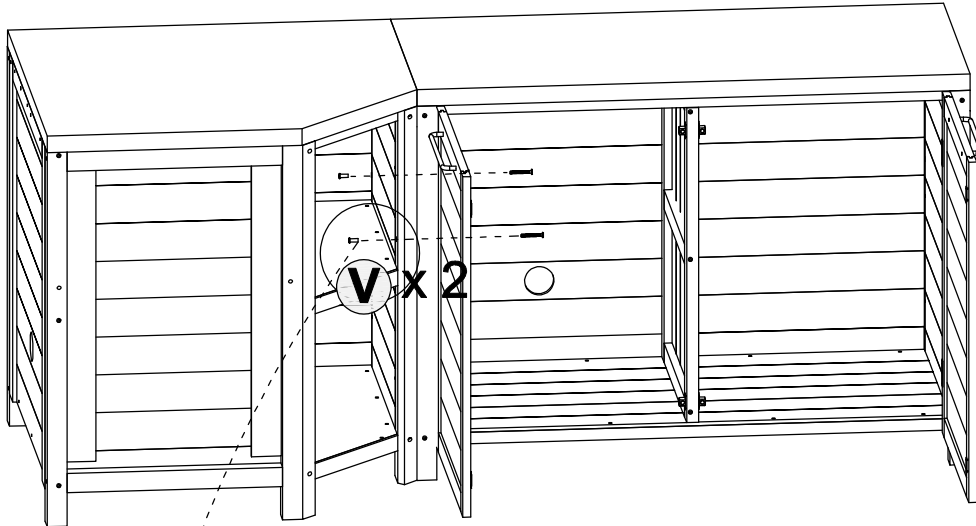
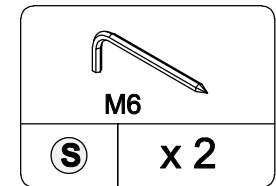
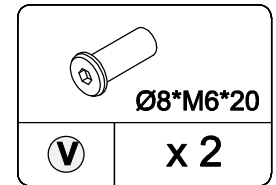
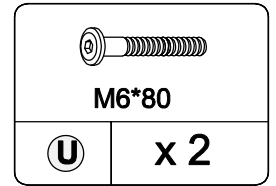
1. Install with hardware E through the lead hole
-  2. Please note that the hole positions of the pilot holes must be aligned

	
M3*16	
E	x 12





1, First, place hardware V into the hole and use tool S to connect hardware U with hardware V



WARRANTY

WARRANTY CLAIMS

- There is a 30-day warranty for broken furniture or any other problems that do not work properly. The warranty will start from the date of purchase which must be verified by proof of purchase.
- Before making a claim, we may be able to answer your query, simply call us. Please leave your purchase order number, along with some details of the problem, if you want a replacement part. We will arrange within 48 hours. If there is out of stock, we will reply with a shipping date.
- The product must be used in accordance with the instructions provided. For health reasons.
- For other reasons, if the furniture needs to be returned, it must be cleaned and dried and operated within 30 days of receipt.

Type of Warranty Claim

- Failure to follow the furniture instructions will invalidate the warranty. Attention please.
- Does not include damage during installation, but includes damage during transportation.

Scope of responsibility

- Shall not bear any responsibility for misuse or user damage and / or loss of parts during the installation of furniture.
- After using, the damage and scratches of the furniture are not covered by the warranty.

The Warranty Relates to All Bought in The Us and Covers The Following Areas

- Sheet parts: 1 month from the date of purchase.
- Electrical parts: 1 month from the date of purchase.

RETURNS

CHANGED YOUR MIND AND NEED TO RETURN YOU ITEM?

PLEASE FOLLOW THE BELOW INSTRUCTIONS:

- If you have purchased and have simply changed your mind, follow the retailer's instructions for returns.

DEFECTIVE ITEMS

- If your item is defective in any way, i.e. it doesn't work but you can't identify why, in the first instance, please call us.

DAMAGED ITEMS

- If you receive an order with obvious shipping damage from the retailer, then we suggest the delivery is refused. If the delivery has been accepted and then shipping damage is found, please follow the specific instructions advised by the retailer.
In all circumstances please save all packaging material and paperwork for the order. Please be aware that if you dispose of packaging material or attempt to return the merchandise without contacting the fulfiller, you jeopardise your chances of making a claim, and you may not receive a credit for the return.

AFTER-SALES CONTACT



adelahu@fufugaga.com



208-820-0068
208-820-0799