

INSTALLATION

Product Manual

Version: 210259-00-24A-AA



IMPORTANT INFORMATION!

please read the entire manual before starting to assemble and/or using this product. follow the manual thoroughly and keep it for further reference.



AVOID SCRATCHES!

In order to avoid scratching this furniture should be assembled on a soft layer- could be a rug.



IMPROVE EFFICIENCY !

Try to find a partner to install with you, which can speed up the installation efficiency and shorten the time.



ANTI-TOPPLE WARNING !

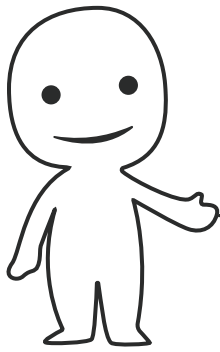
Overturned furniture can cause serious or fatal crush injuries. To prevent tipping over, be sure to use the wall attachment, if not included with this product. Please purchase the wall attachment that fit your wall. If unsure, seek professional advice. Please read and follow each step of the instructions carefully.

IMPORTANT !

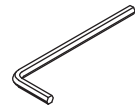
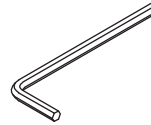
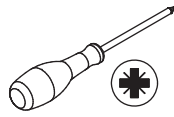
It is important that any product which is assembled using any kind of screw is re-tightened 2 weeks after assembly, and once every 3 months - in order to assure stability through-out the lifespan of the product.

For regular maintenance and cleaning of the product, for the frame, please use a rag dipped in neutral detergent to fully wipe it, and then dry it with a clean rag. For glass materials, wipe with a rag dampened with water glass cleaner, and then dry with a dry rag.

Do not use an electric screwdriver, and do not use too much force when installing, because the board is easy to break.

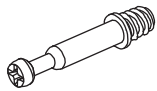


Please prepare the following tools



When installing, please carefully confirm whether each screw corresponds to the manual, accessories with similar shapes can be distinguished by size

A x 64



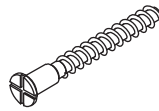
CRA0635A

B x 64



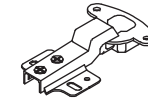
CRB1595A

C x 20



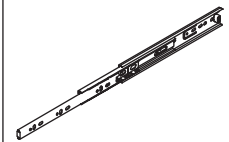
CRG0540A

E x 4



DGA861C

F x 2



#3508 14"

G x 32



CRD3514A

H x 4



CRD3512A

I x 4



CRG0612A

J x 2

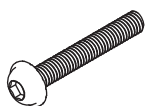


K x 53



Ø6 x 12 mm

L x 20



Ø6 x 40 mm

M x 2

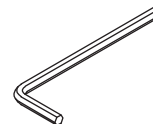


Ø5 x 45 mm

N x 4

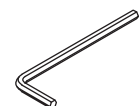


O x 1



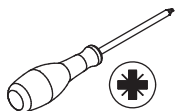
M5

P x 1



M4

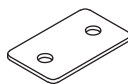
Q x 1



R x 1



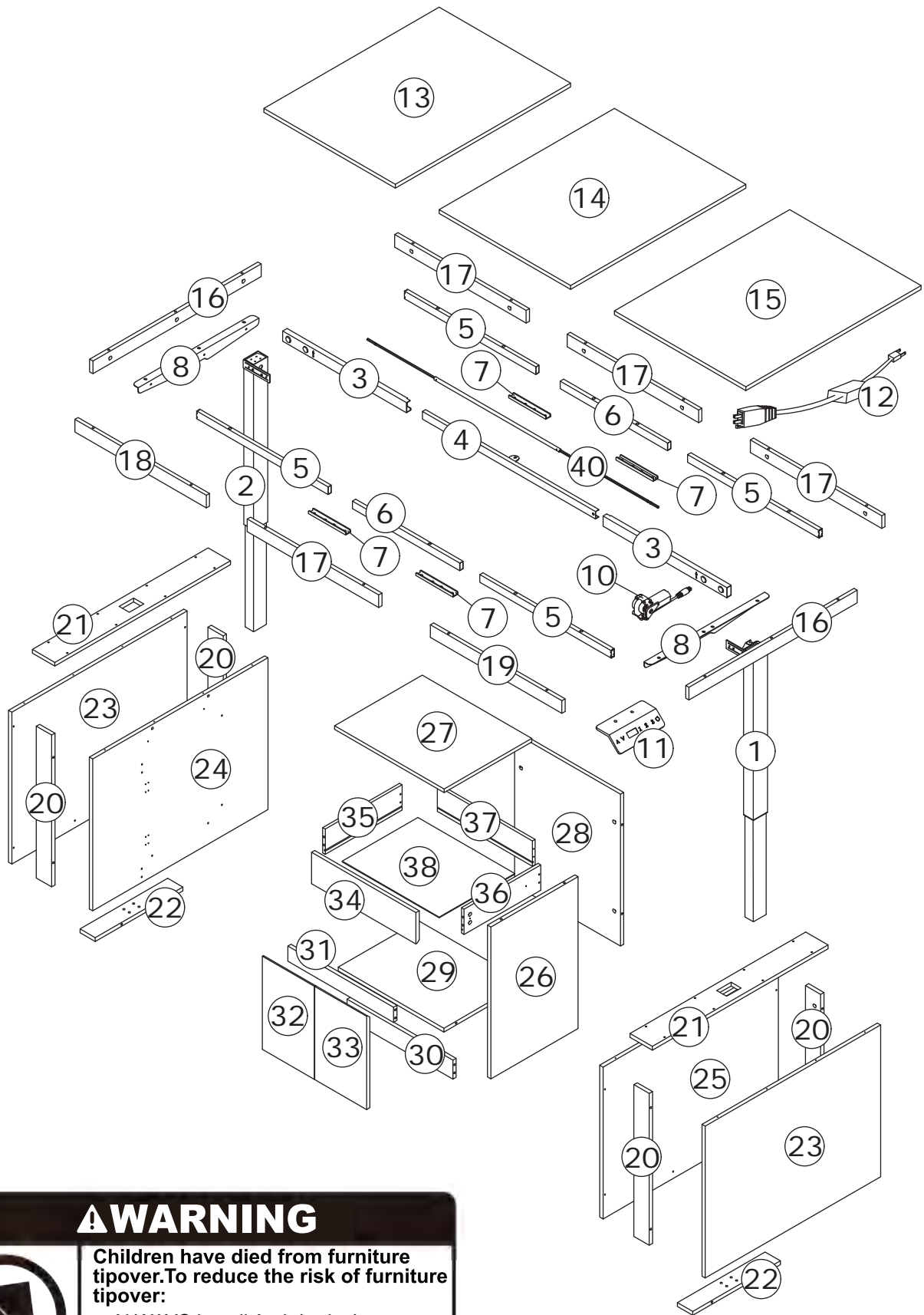
9 x 8



41 x 2



Ø4 x 4 mm



⚠ WARNING

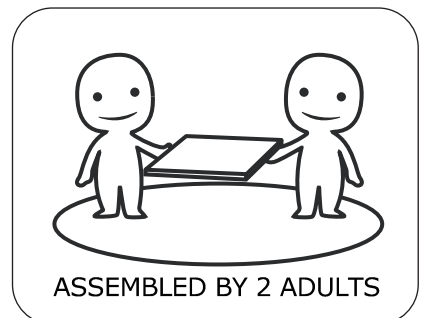


Children have died from furniture tipover. To reduce the risk of furniture tipover:

- ALWAYS install Anti-tip device provided.
- NEVER put a TV on this product.
- NEVER allow children to stand, climb or hang on drawers, doors, or shelves.
- NEVER open more than one drawer at a time.
- Place heaviest items in the lowest drawers.



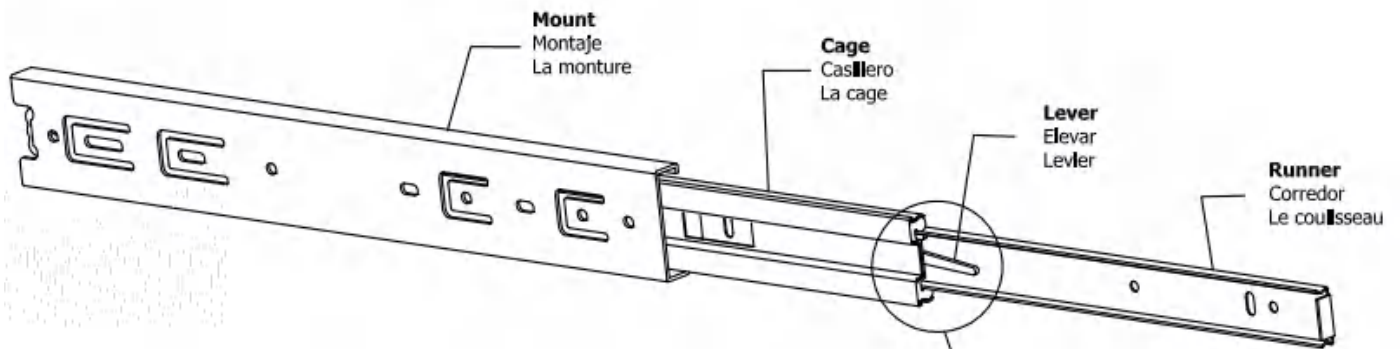
*This is a permanent label.
Do not remove!*



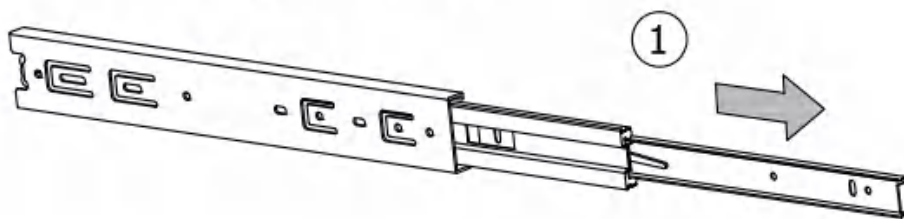
**Slides Must Be Separated Before Assembly.
After Separated, Set Aside Until Needed for Assembly.**

Las diapositivas deben separarse antes del montaje.
Después de la separación, déjelo a un lado hasta que sea necesario.

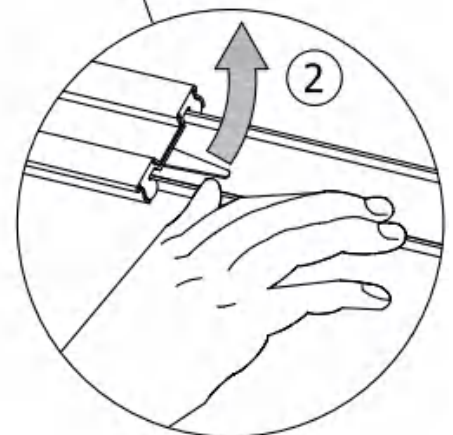
Les glissières doivent être séparées avant l'assemblage.
Après la séparation, mettez de côté jusqu'au moment de l'assemblage.



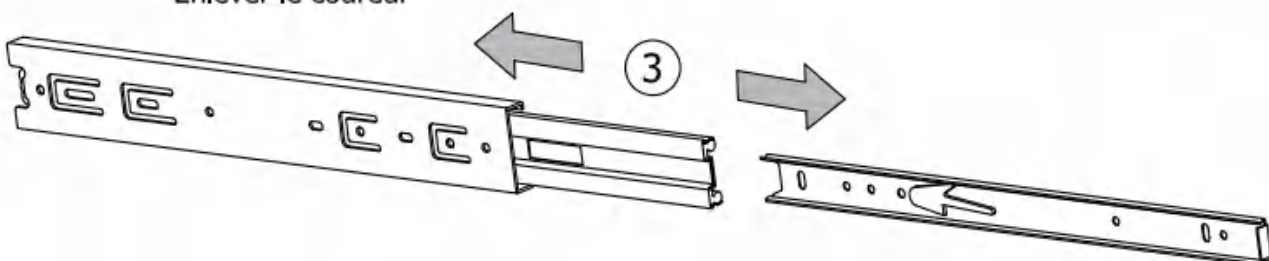
STEP 1: Extend Slide
Extender la diapositiva
Extendre la diapositive



STEP 2: Push Lever UP
Empujar hacia arriba
Lever le levier



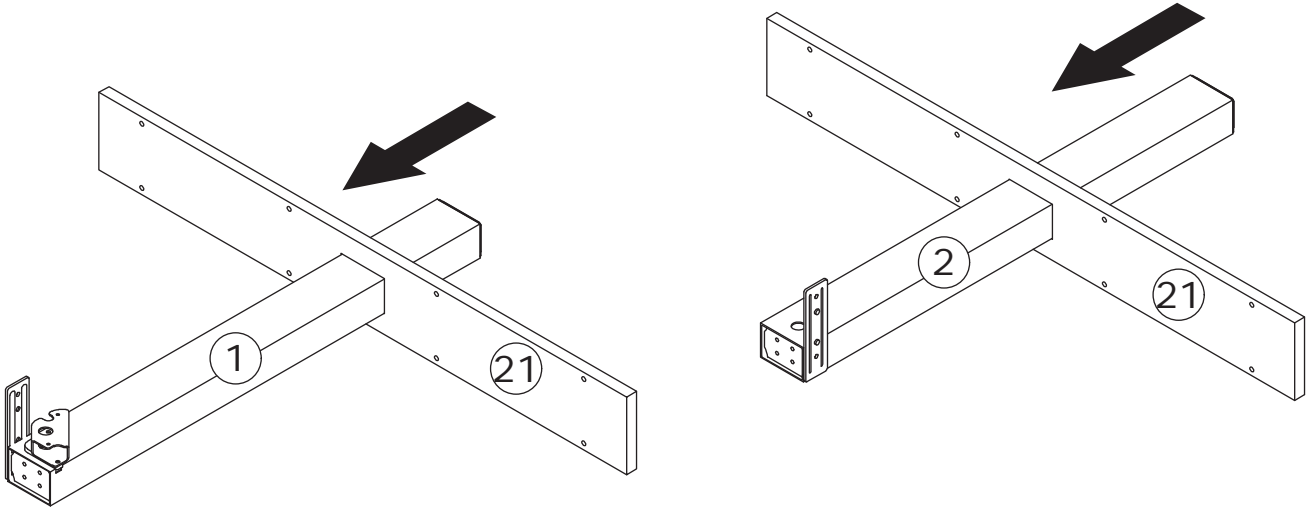
STEP 3: Remove Runner
Quitar el corredor
Enlever le coureur



1



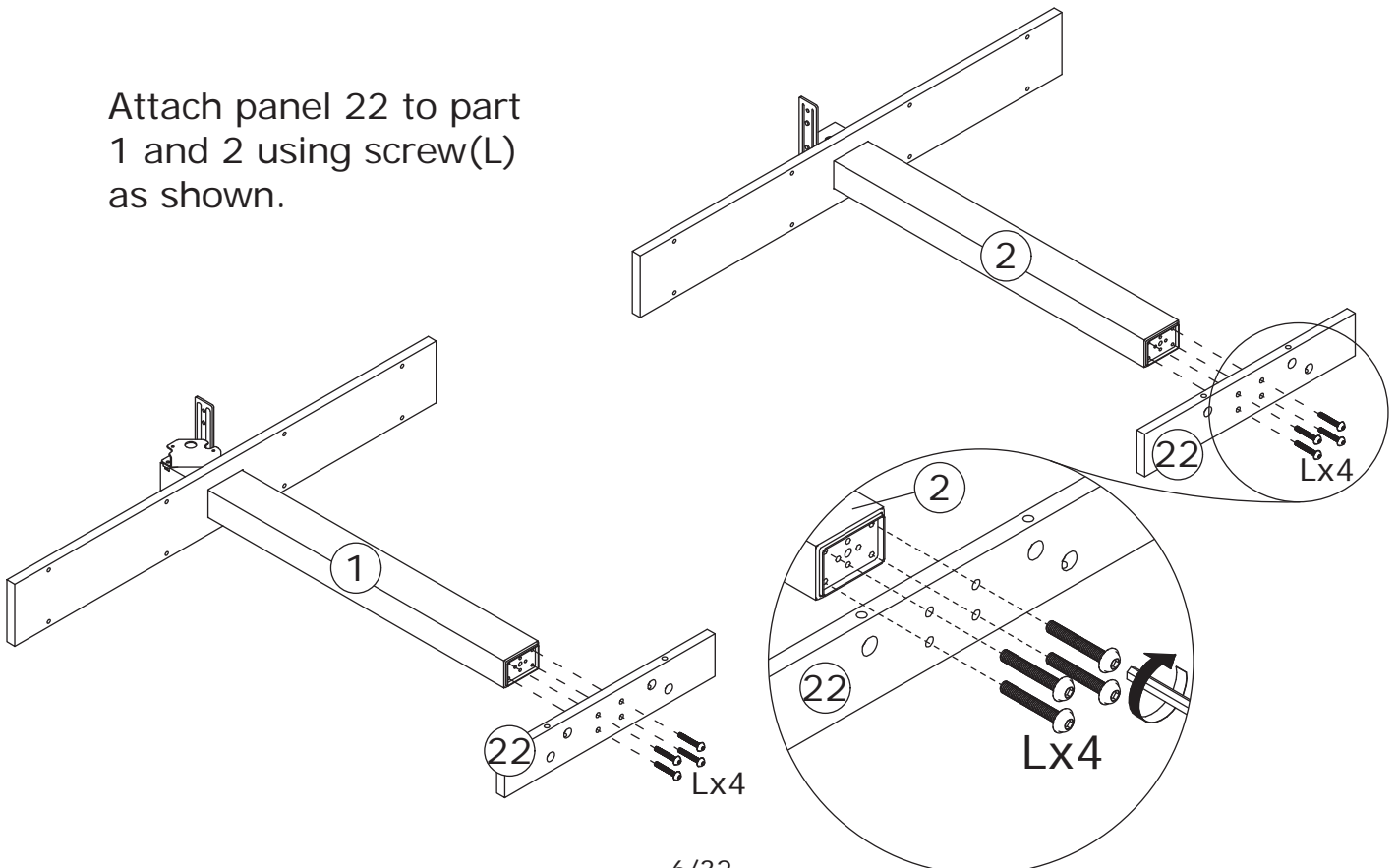
Connect part 1 and 2 to panel 21 as shown.



2



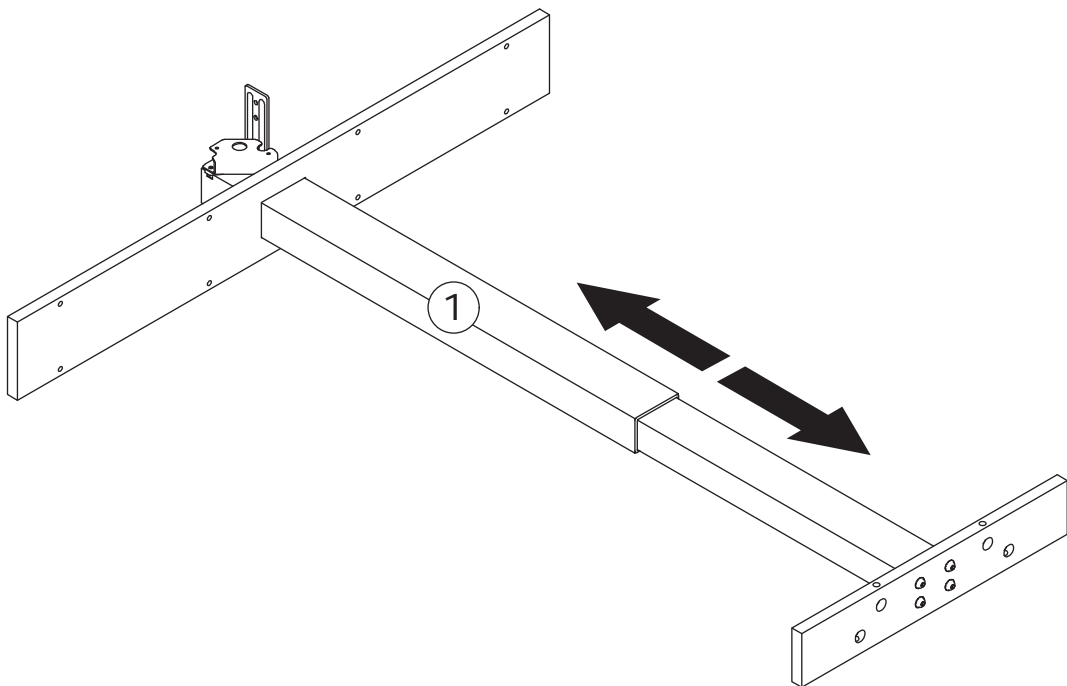
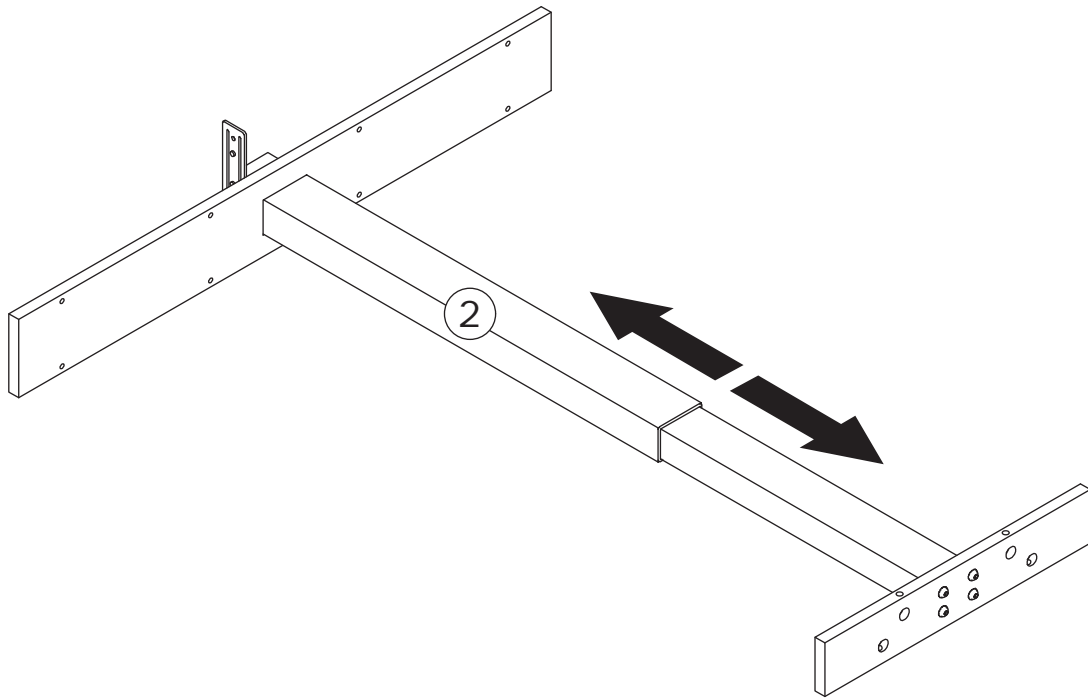
Attach panel 22 to part 1 and 2 using screw(L) as shown.



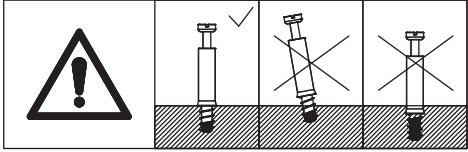
3



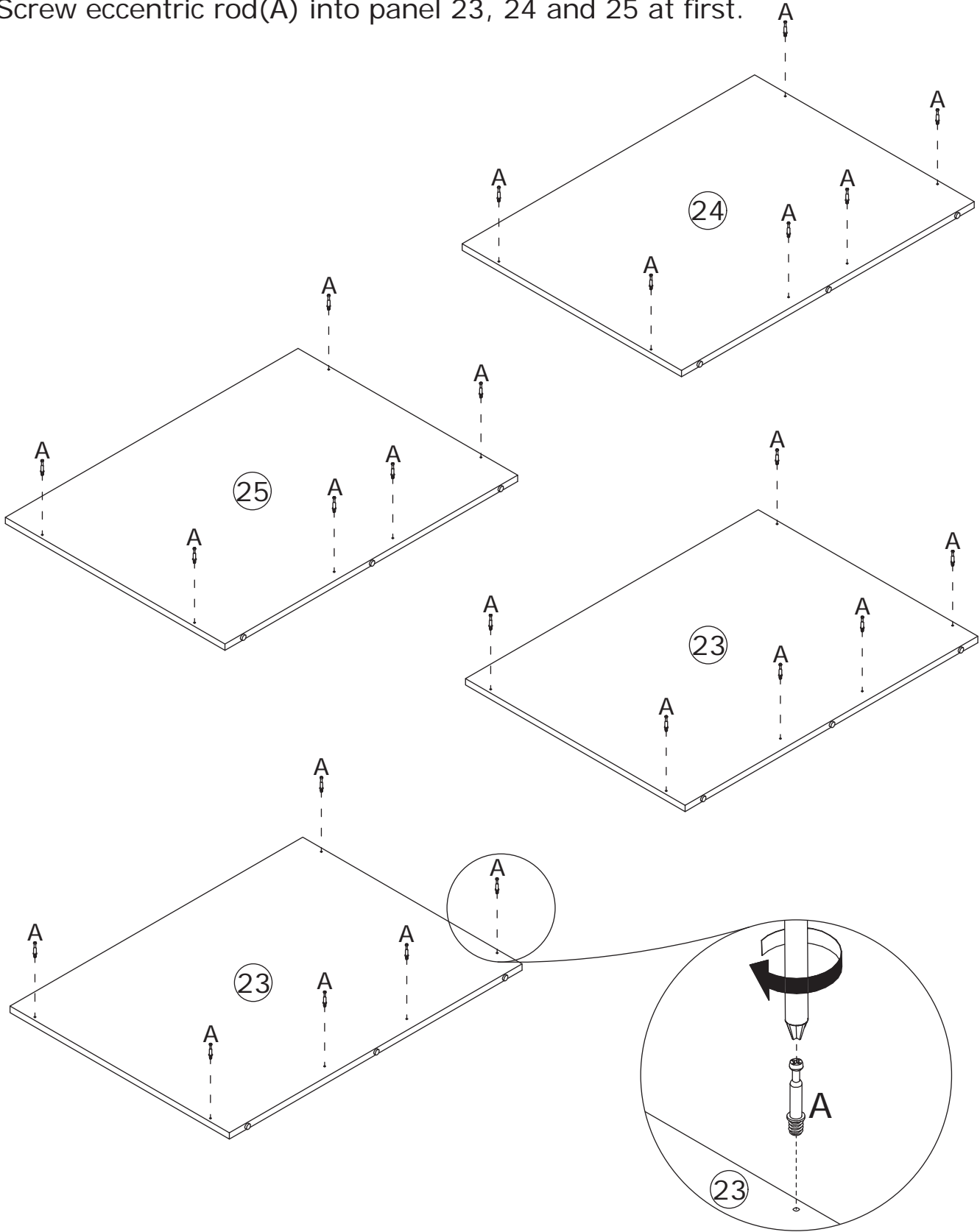
Stretch part 1 and 2 to the longest.



4



Screw eccentric rod(A) into panel 23, 24 and 25 at first.

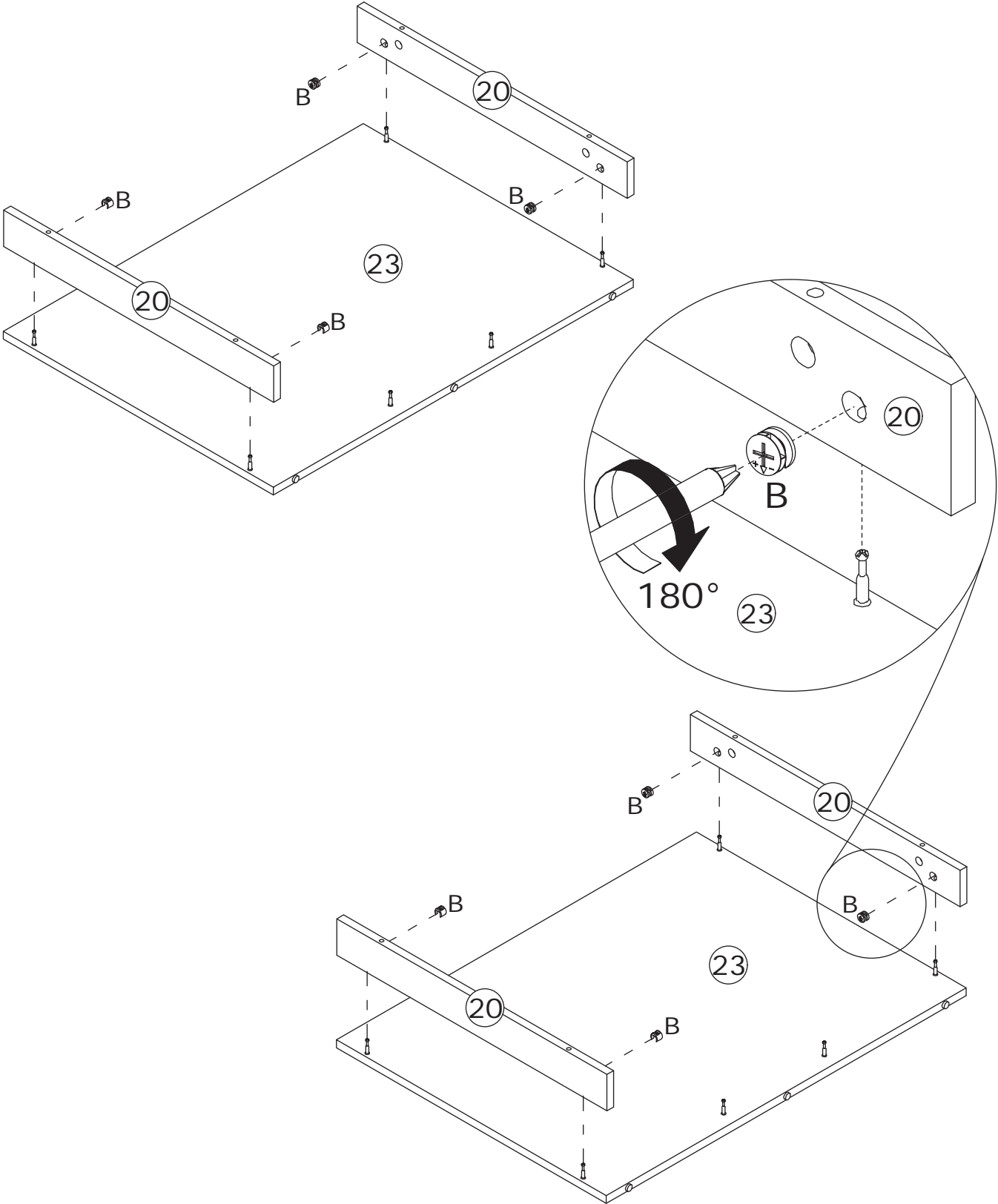
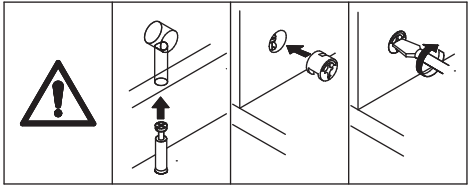


5

B x 8
CRB1595A

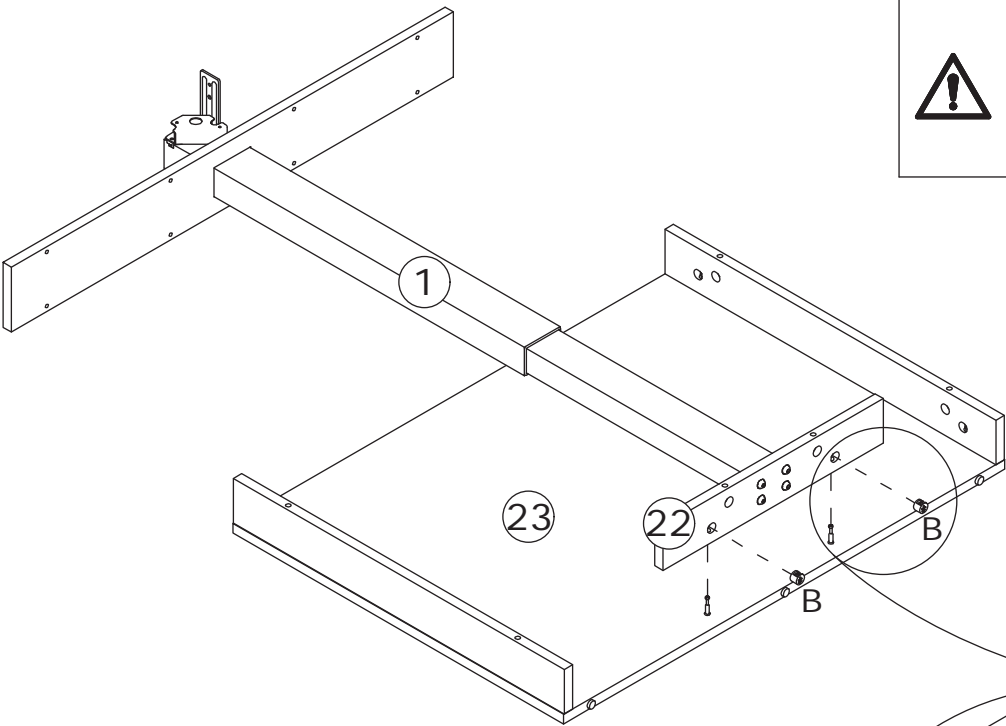
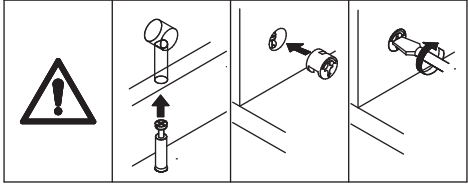


Attach panel 20 to panel 23, add cam lock(B) into panel 20 and turn clockwise to tighten as shown.

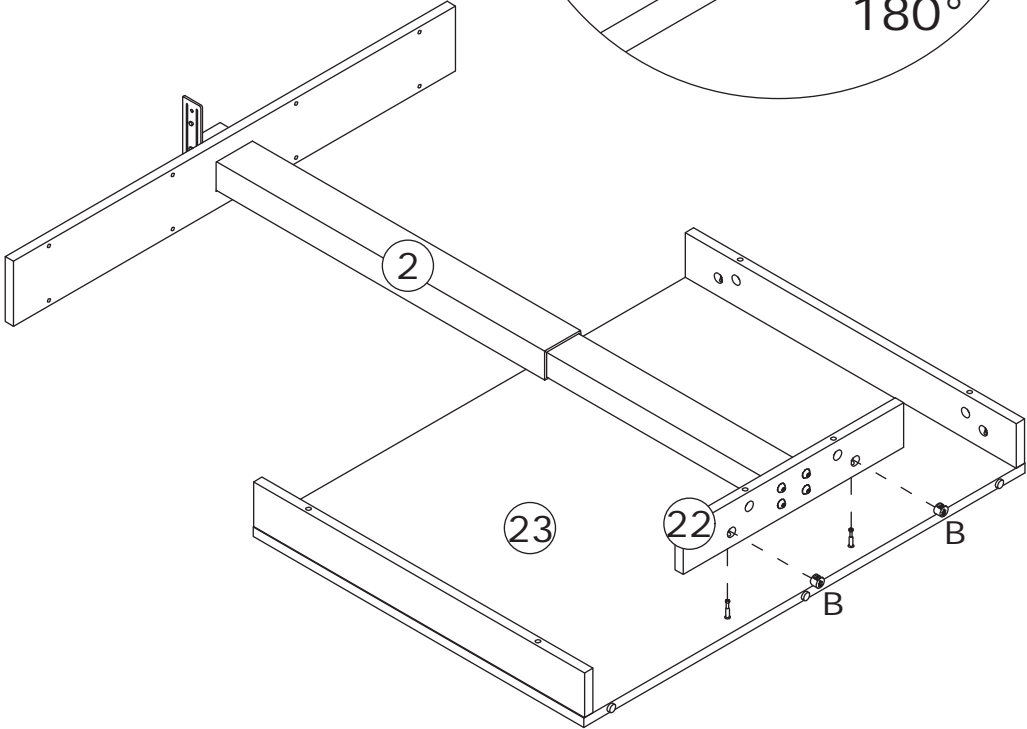
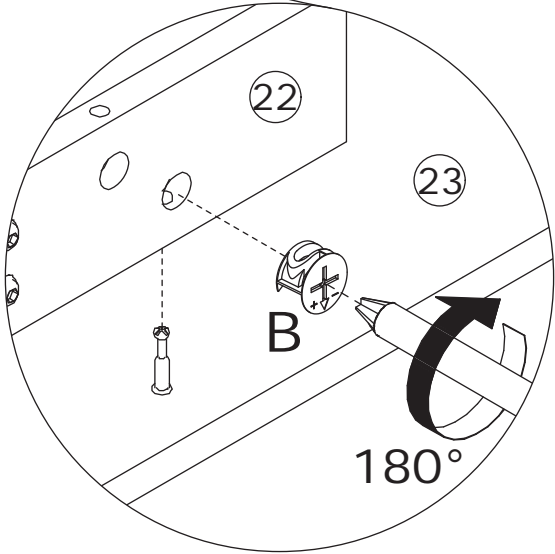


6

B x 4
CRB1595A



Connect panel 22 to panel 23, add cam lock(B) into panel 22 and turn clockwise to tighten as shown.

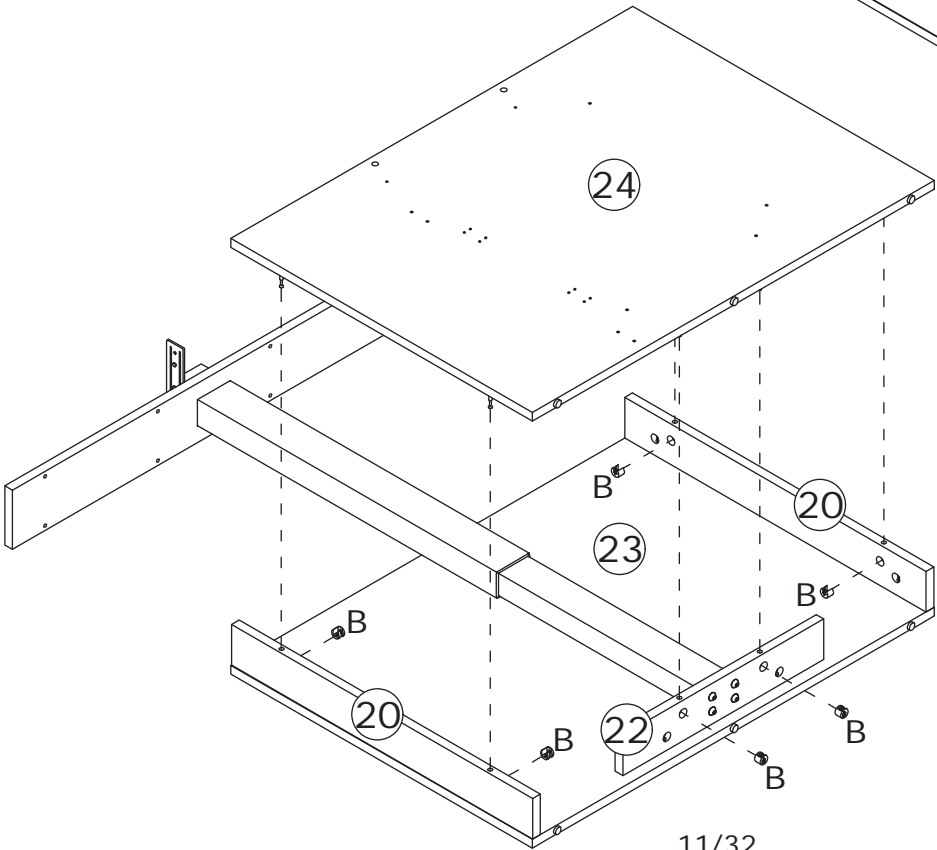
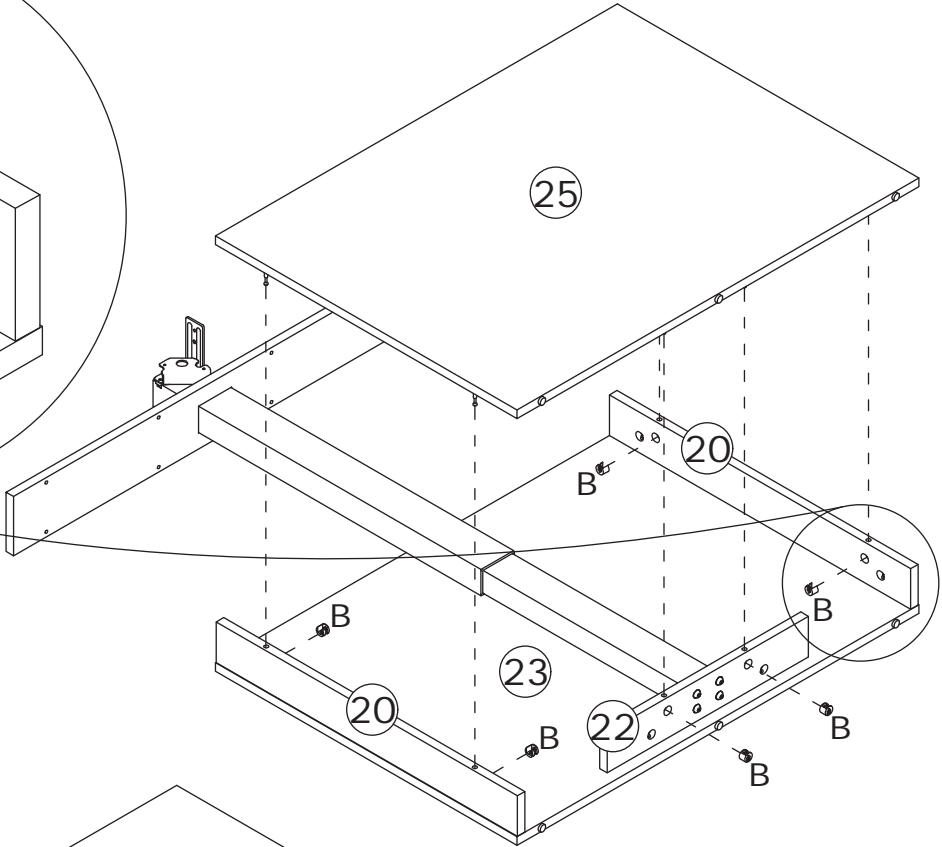
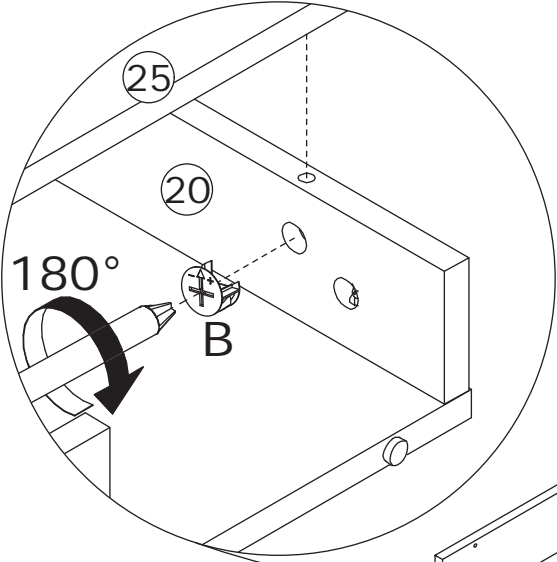
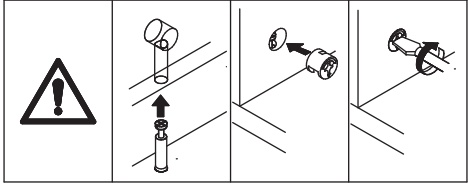


7

B x 12
CRB1595A

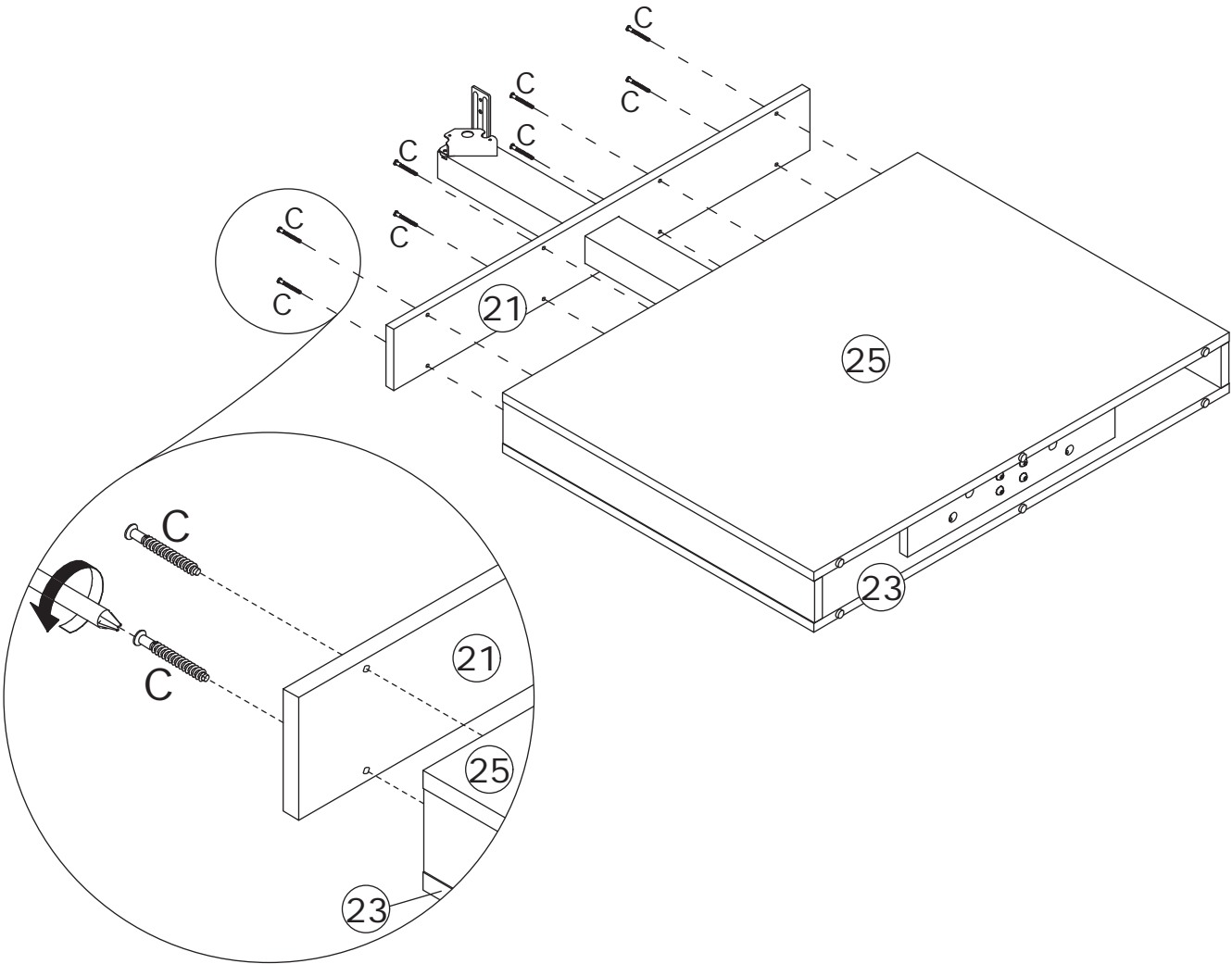


Attach panel 24 and 25 to the components in step 6, add cam lock(B) into panel 20 and 22 then turn clockwise to tighten as shown.

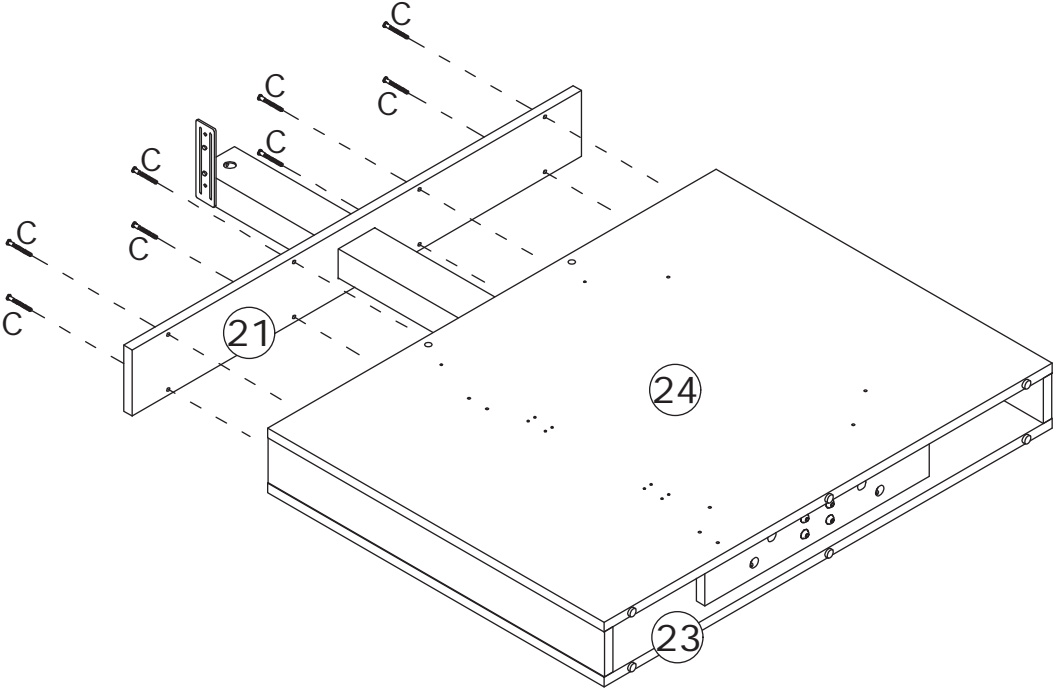


8

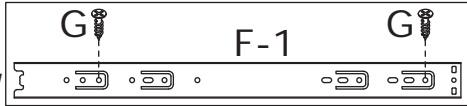
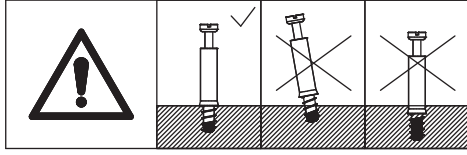
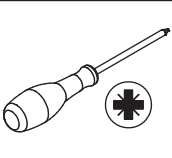
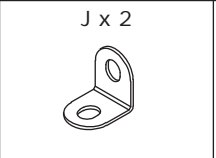
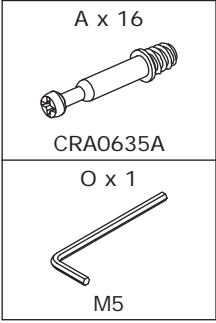
C x 16
CRC0540A



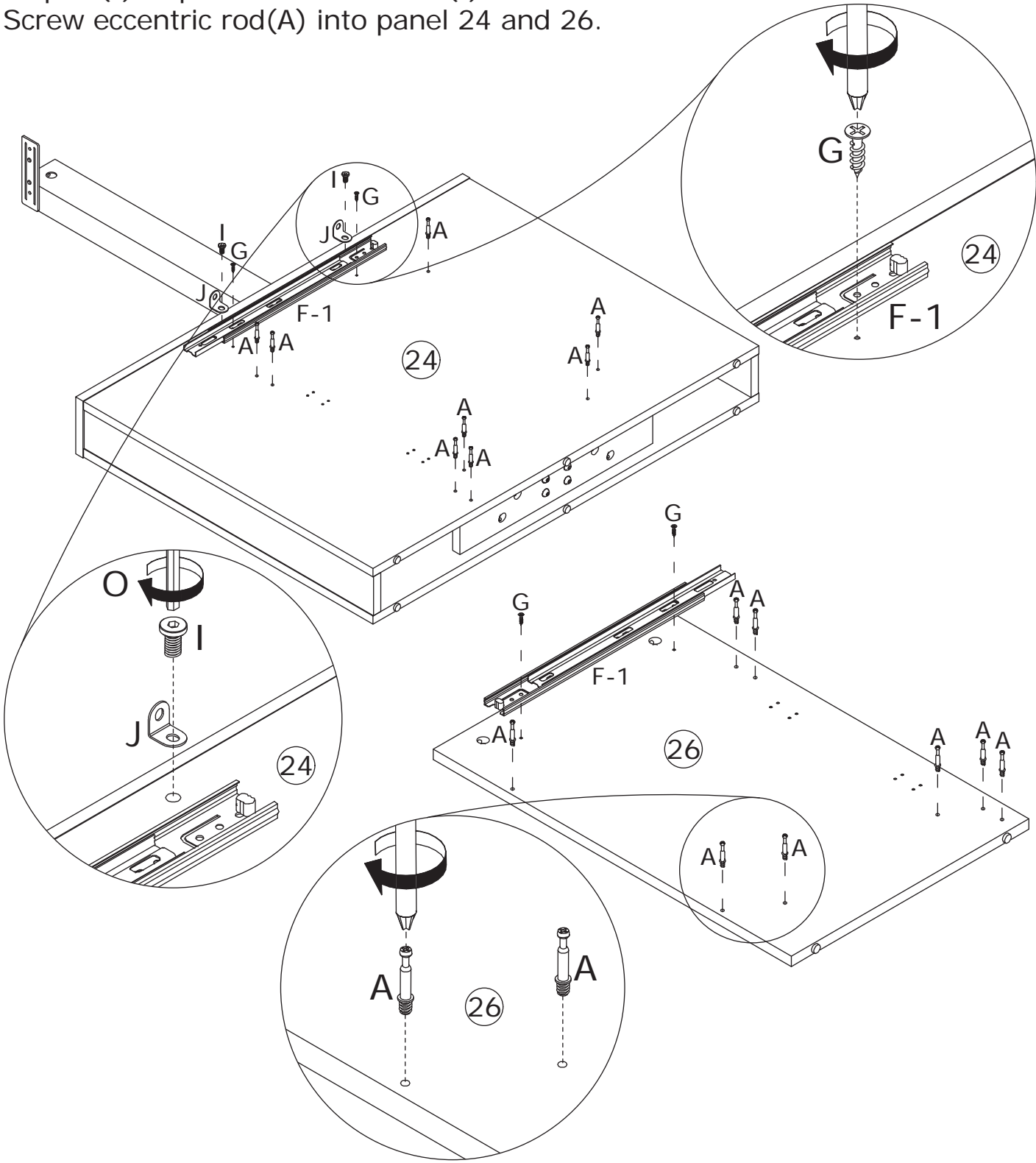
Fix panel 21 to the main part with screw (C).



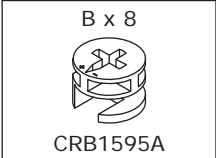
9



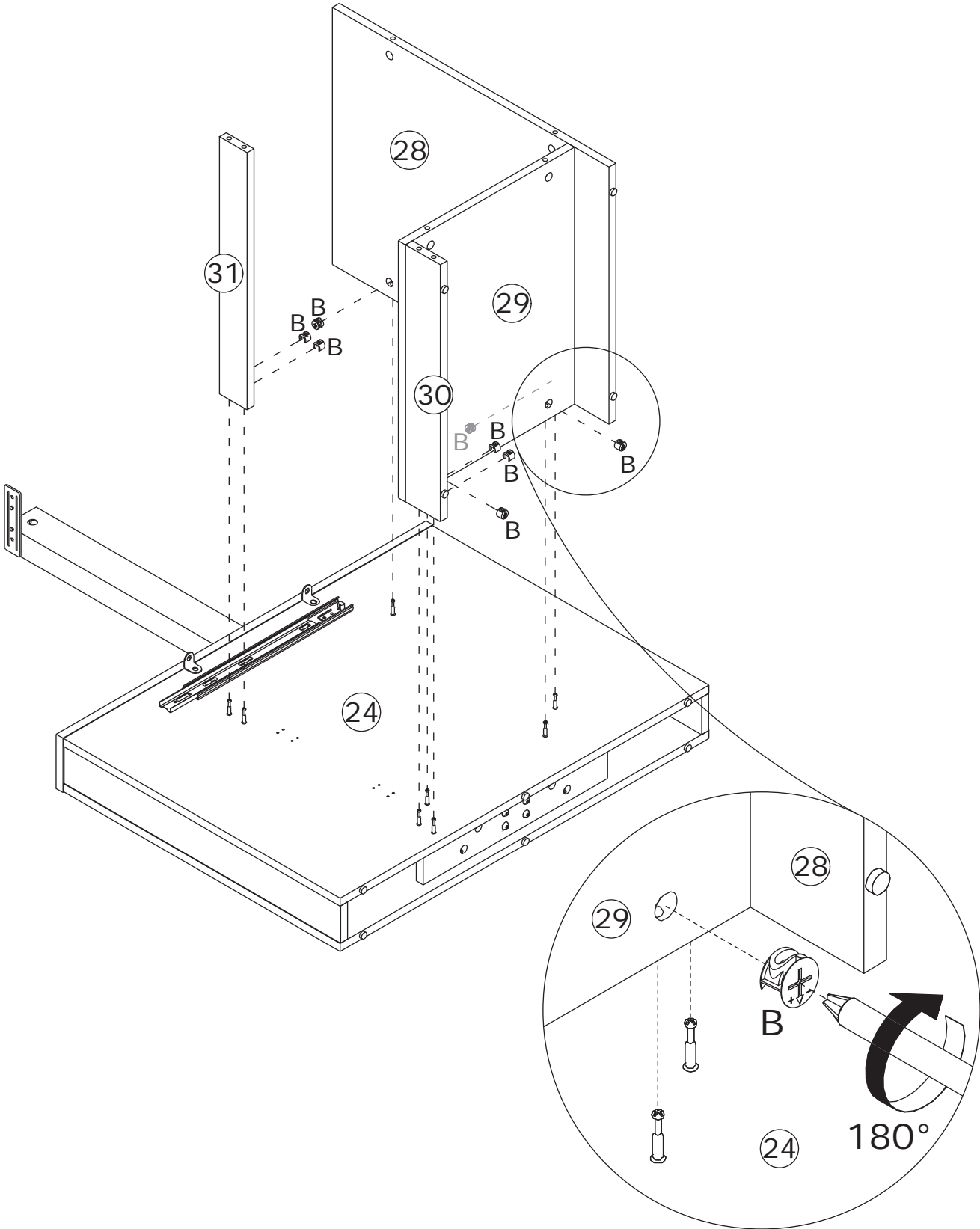
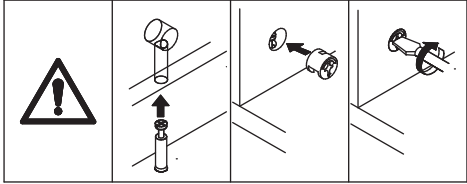
Fix slide rail(F-1) to panel 24 and 26 with screw(G),
fix part(J) to panel 24 with screw(I).
Screw eccentric rod(A) into panel 24 and 26.



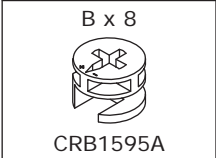
10



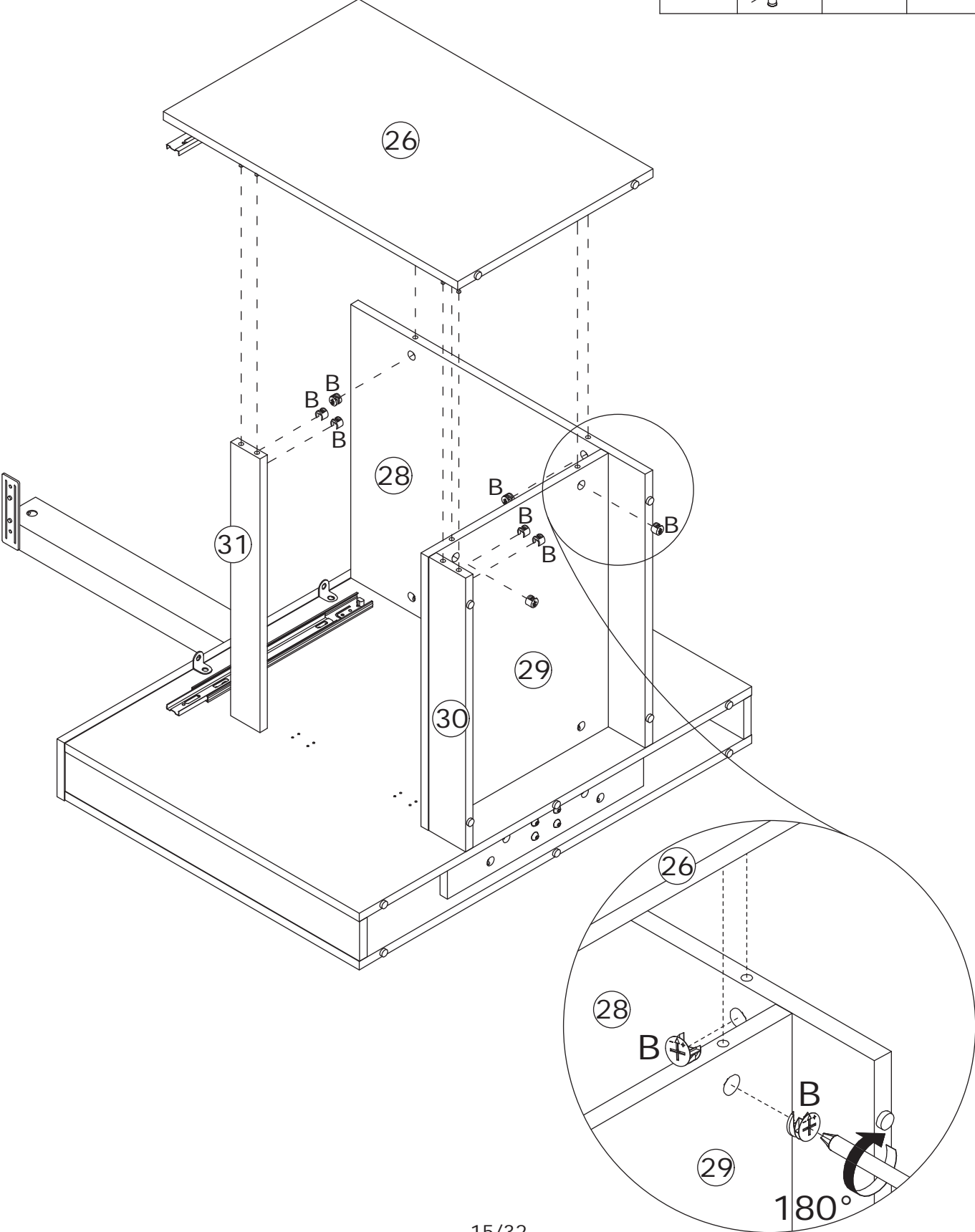
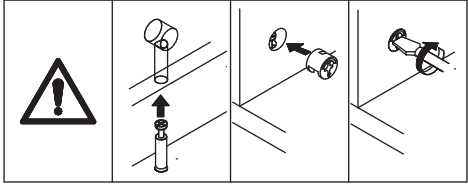
Attach panel 28, 29, 30 and 31 to the component in step 9, add cam lock(B) into and turn clockwise to tighten as shown.



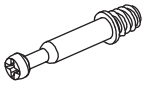


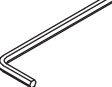
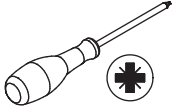
11



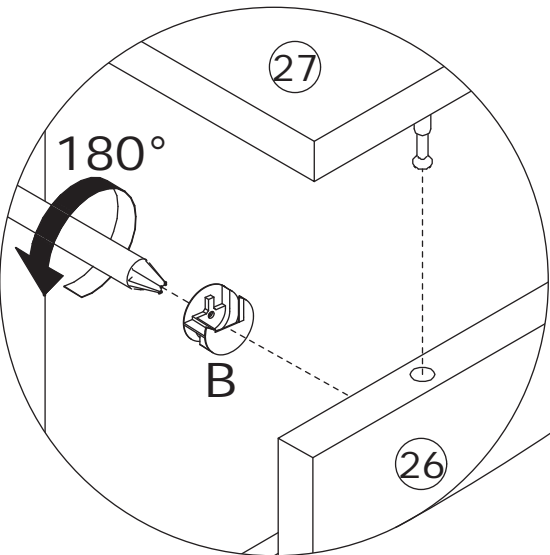
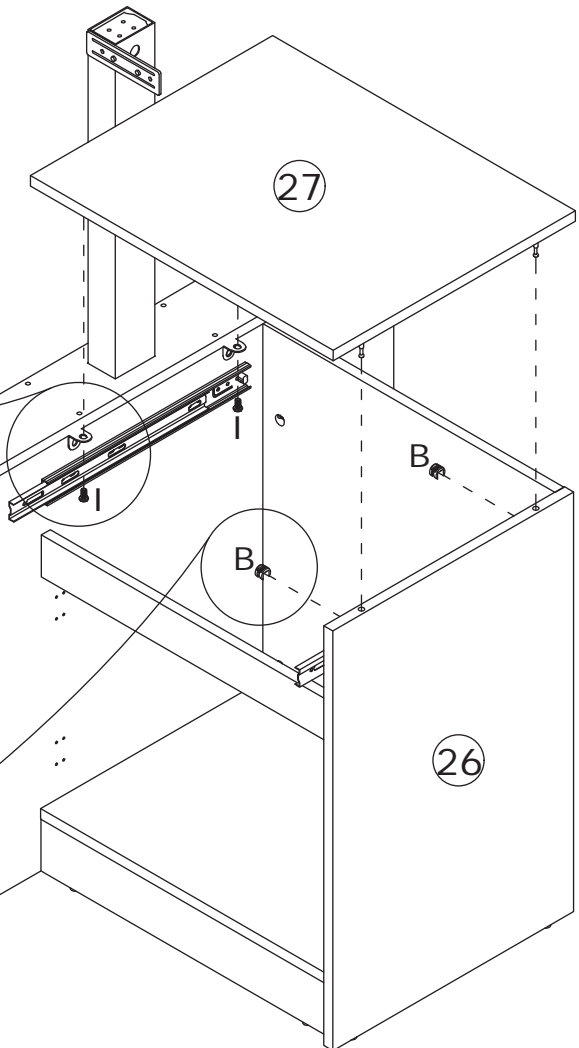
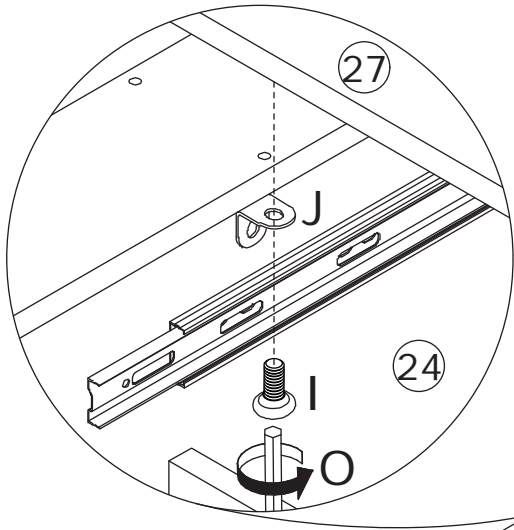
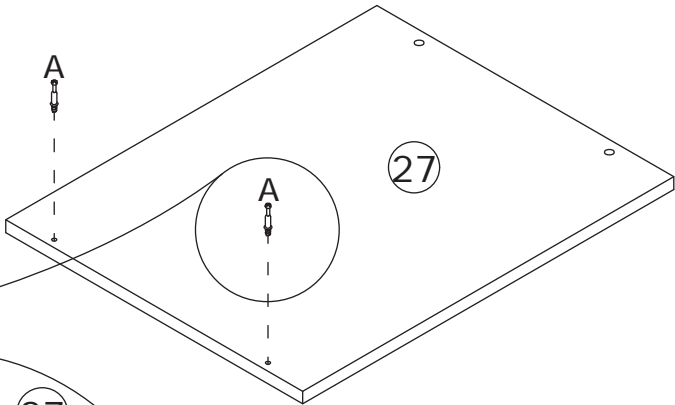
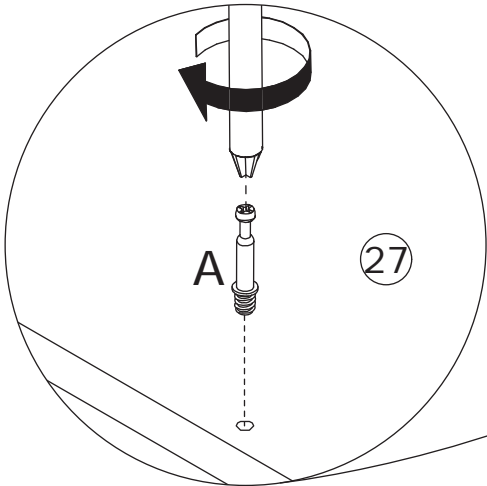
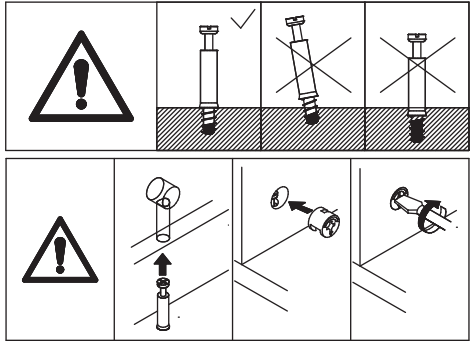
Attach panel 26 to the component in step 10, add cam lock(B) into and turn clockwise to tighten.



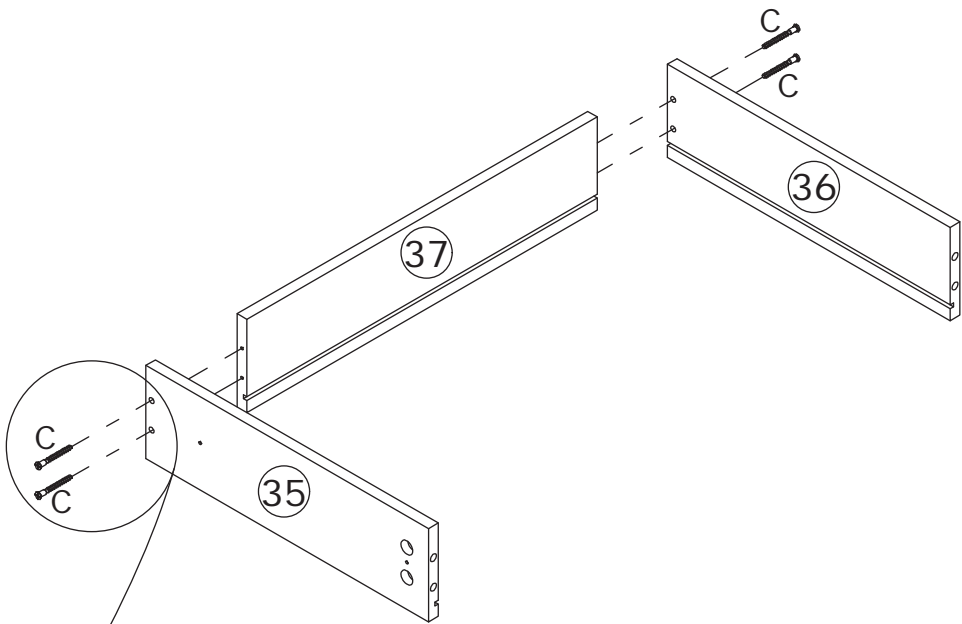
12

A x 2  CRA0635A	B x 2  CRB1595A	I x 2  CRG0612A	O x 1  M5	
--	--	--	---	---

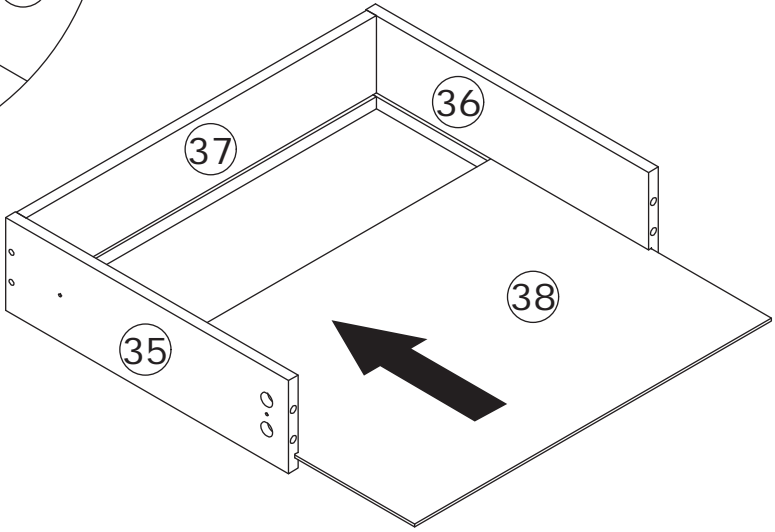
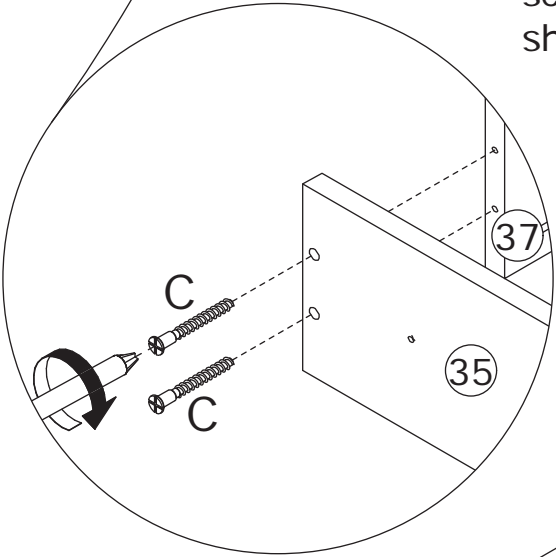
Screw eccentric rod(A) into panel 27 at first, attach panel 27 to panel 24 and 26, then add cam lock(B) into and turn clockwise to tighten as shown.



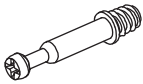

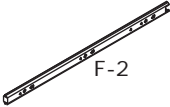

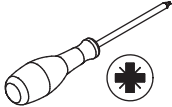
13



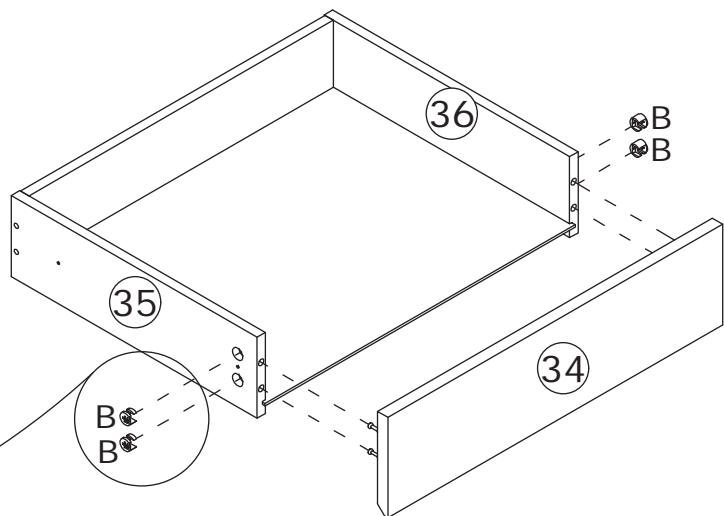
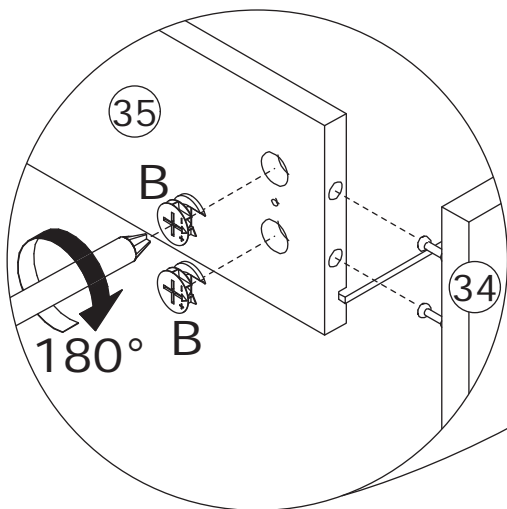
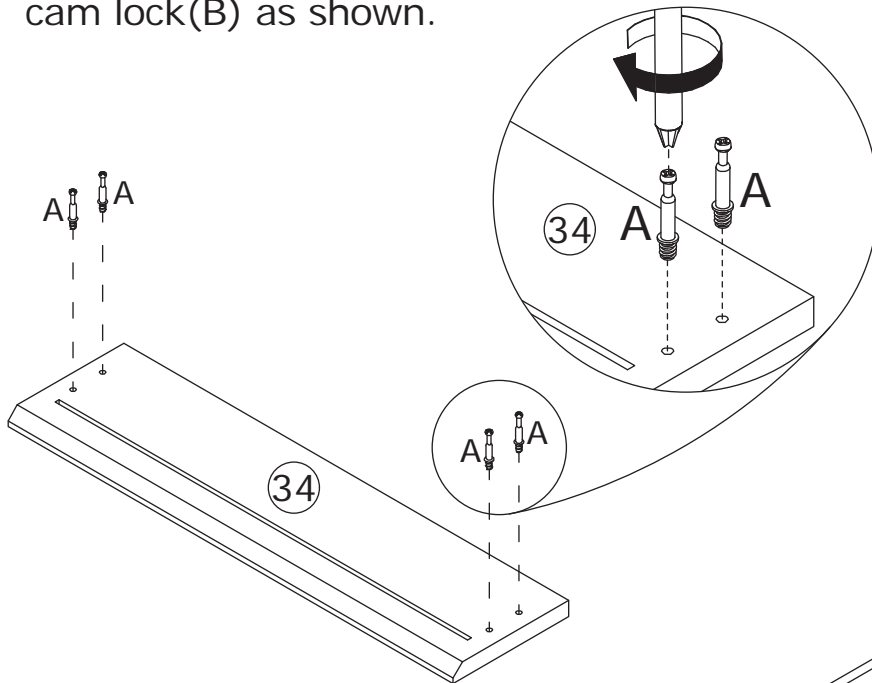
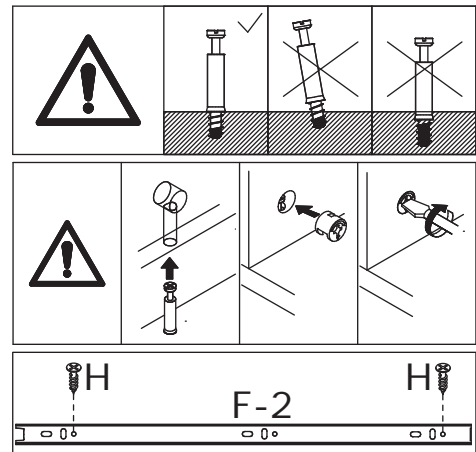
Connect panel 35 and 36 to panel 37 with screw(C) , slide panel 38 into grooves as shown.



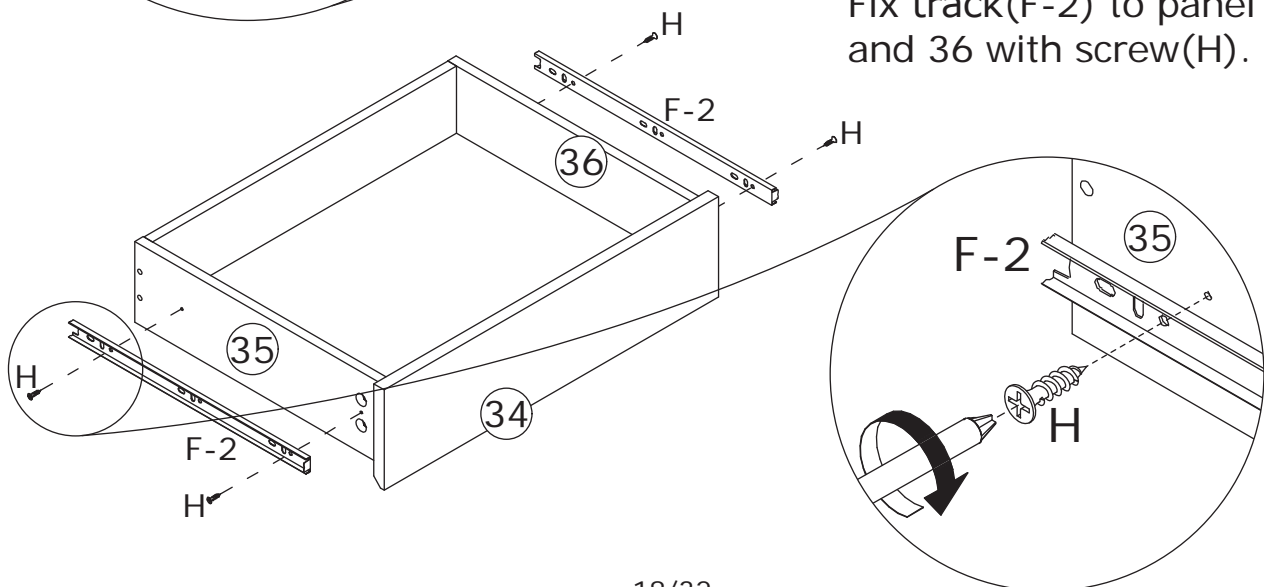
14

A x 4  CRA0635A	B x 4  CRB1595A	F x 2  #3508 14"	H x 4  CRD3512A	
--	--	---	---	---

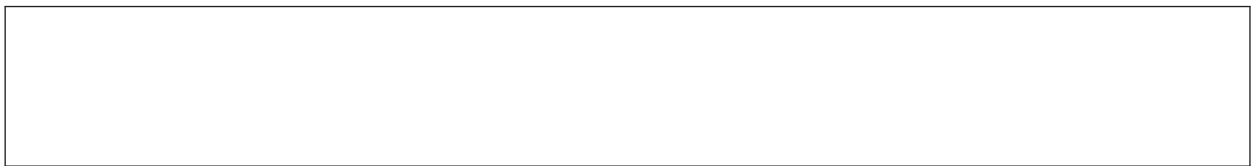
Screw eccentric rod(A) into panel 34 at first, attach panel 34 to the drawer and tighten cam lock(B) as shown.



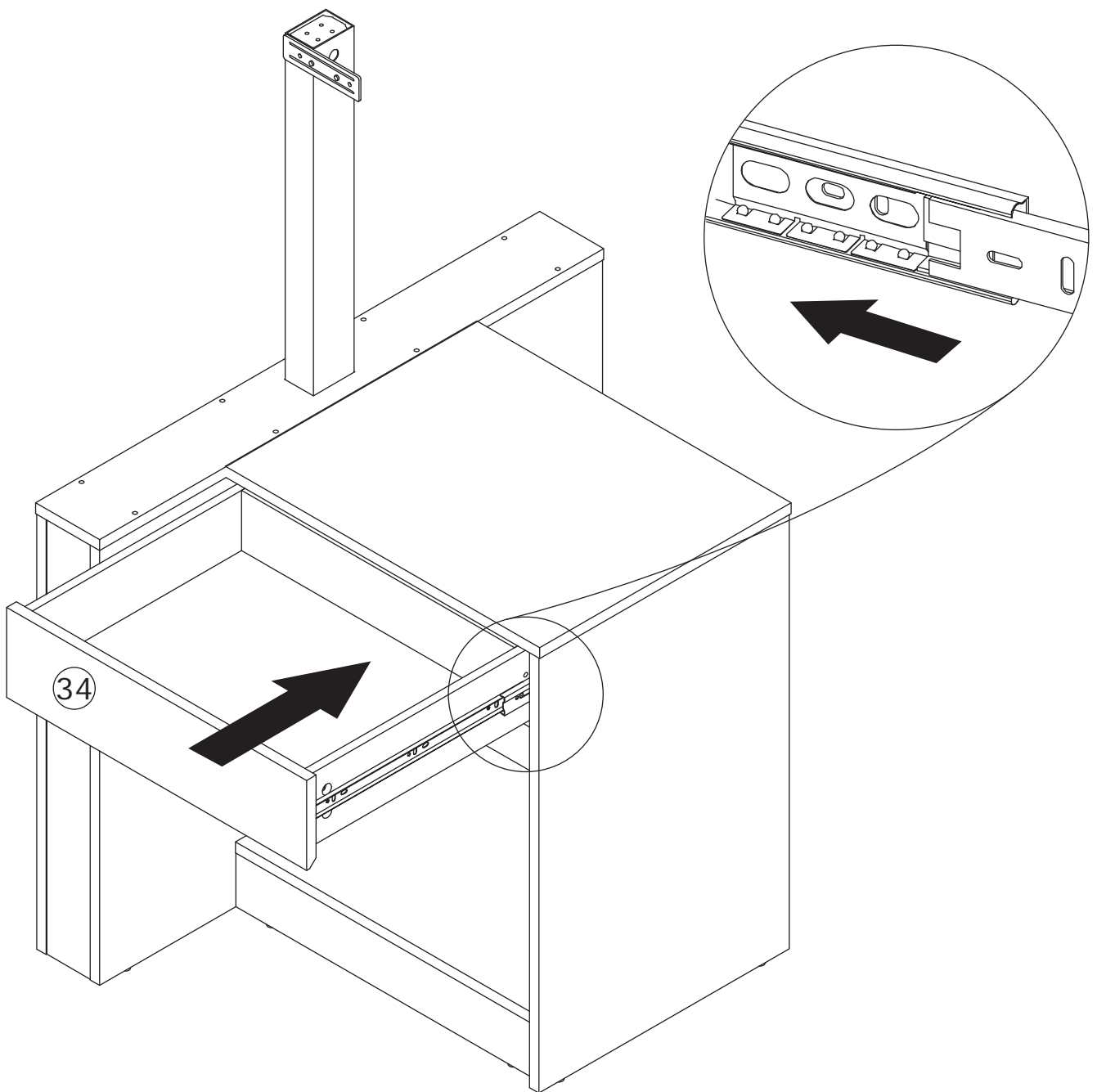
Fix track(F-2) to panel 35 and 36 with screw(H).



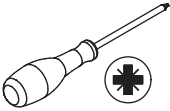
15



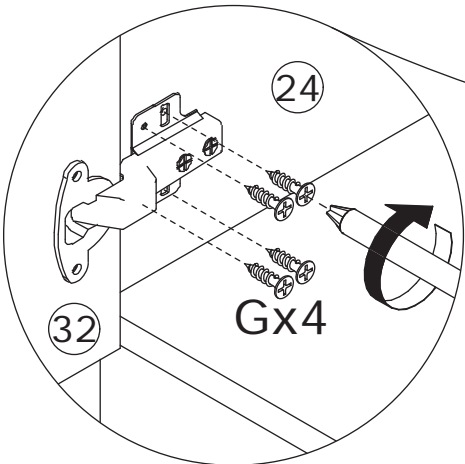
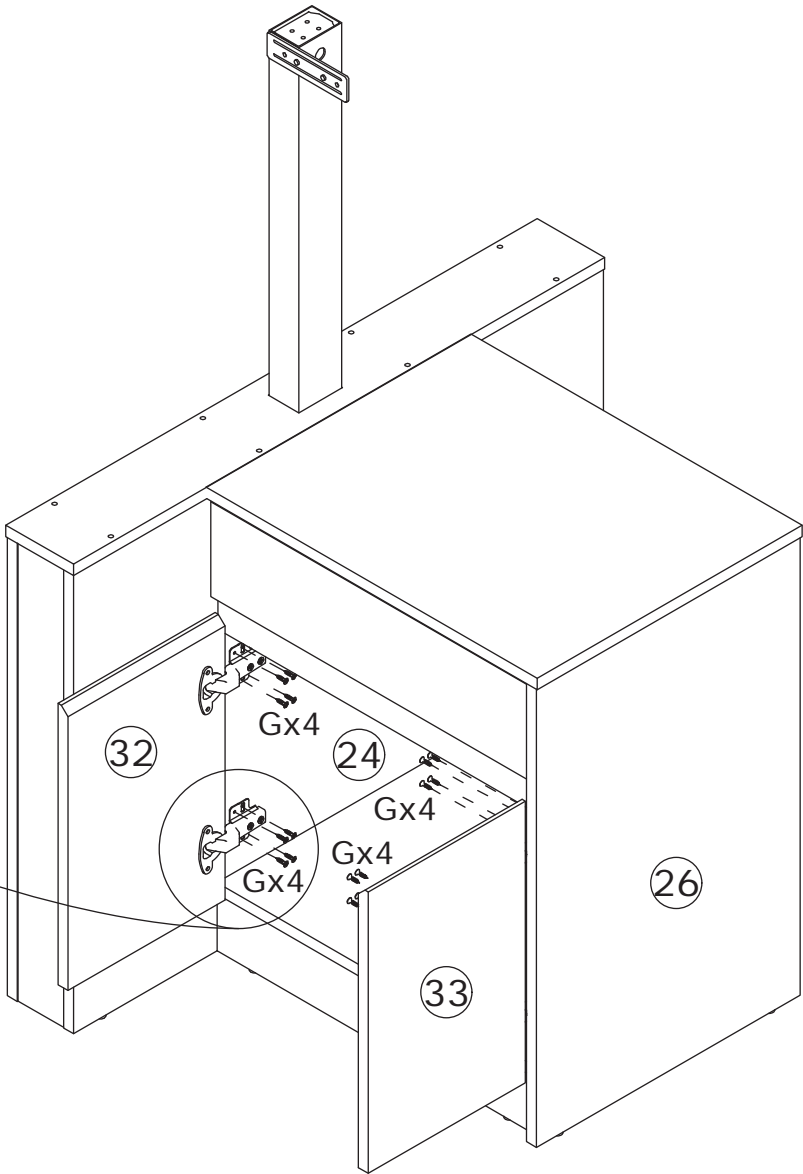
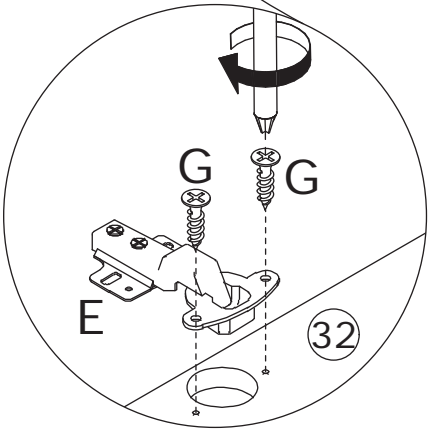
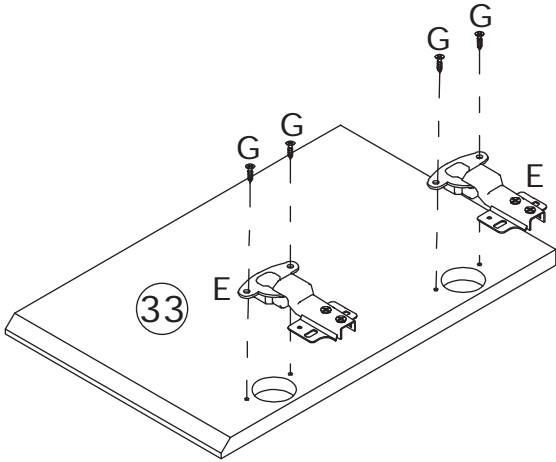
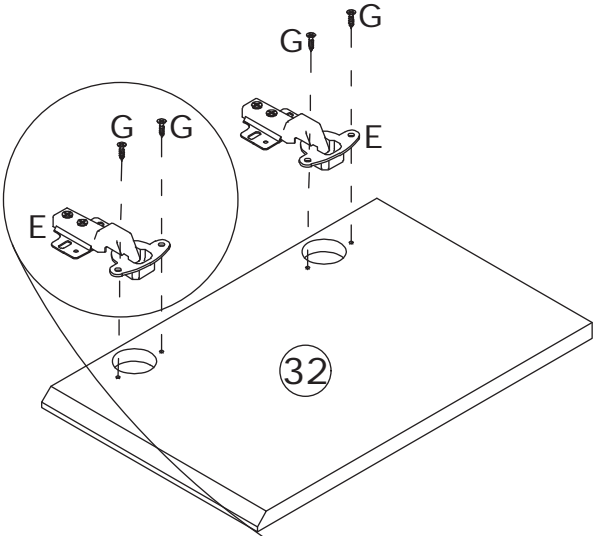
Assemble the drawer to main part.



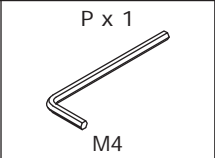
16



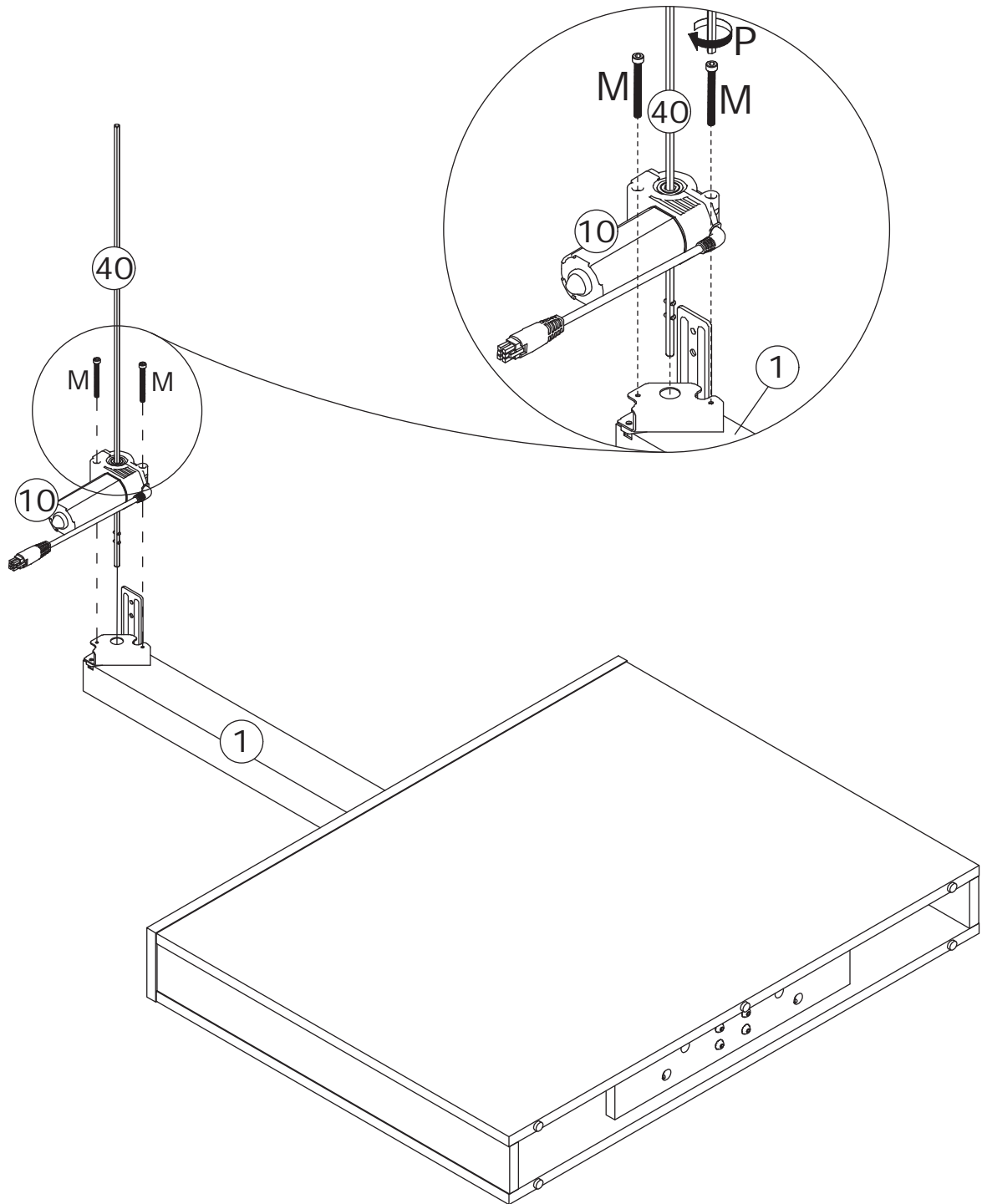
Fix hinge(E) to panel 32 and 33 with screw(G), assemble panel 32 and 33 to main part with screw(G) as shown.




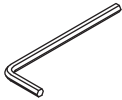
17



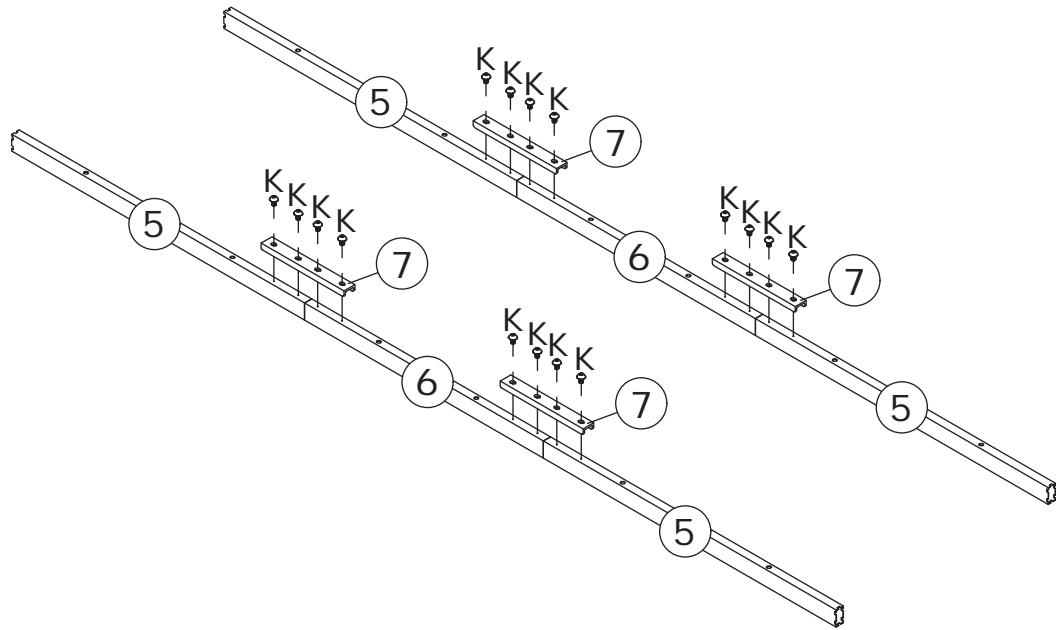
Add part 40 into part 1 at first, put electric machine 10 through thin part 40 then fix on part 1 with screw(M) .



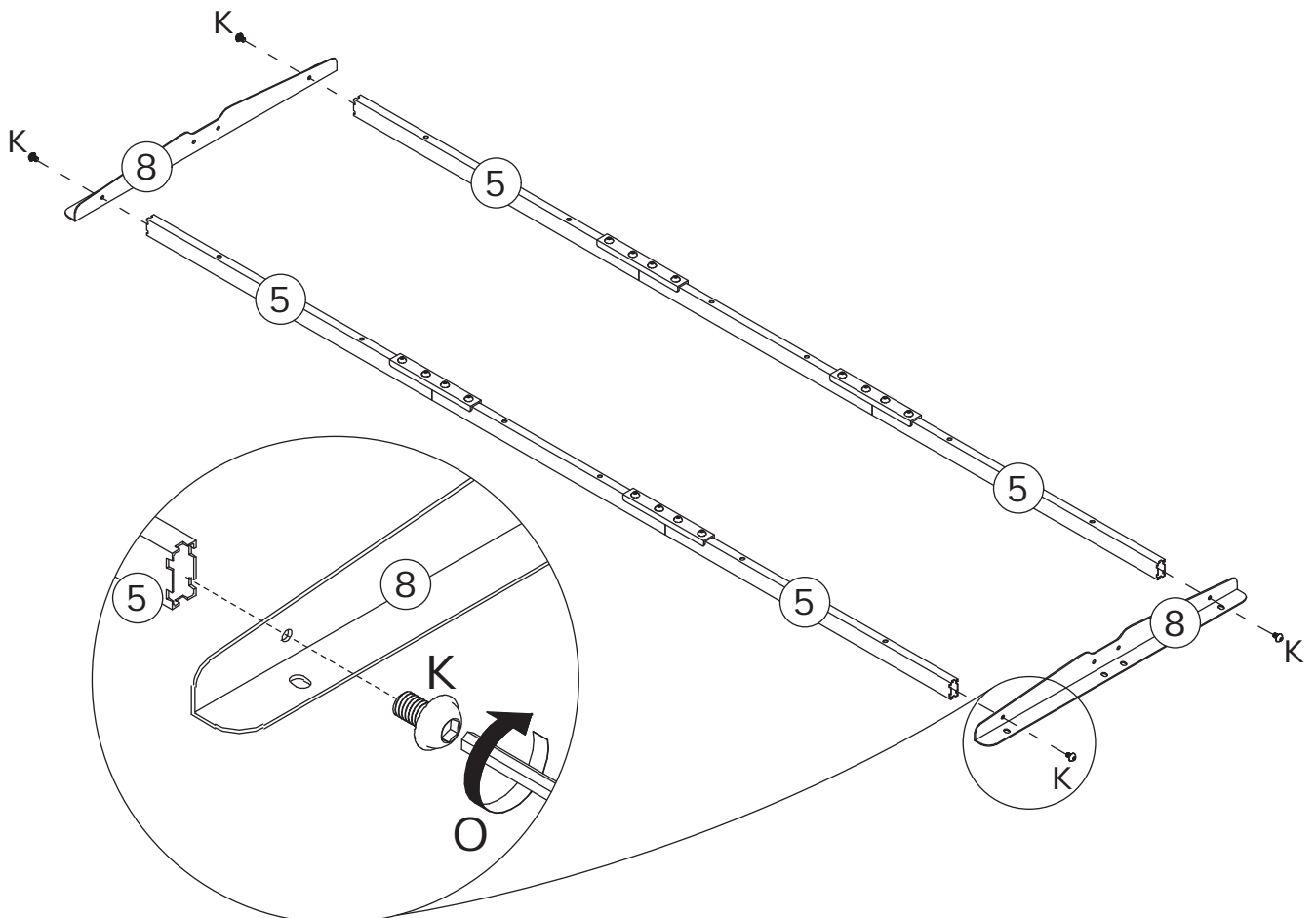
18

<p>K x 20</p>  <p>Ø 6 x 12 mm</p>	<p>O x 1</p>  <p>M5</p>	
--	--	--

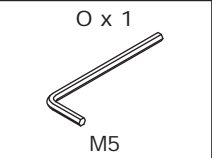
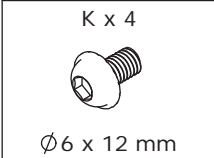
Connect part 5 and 6 with part 7 and fixing with screw(K).



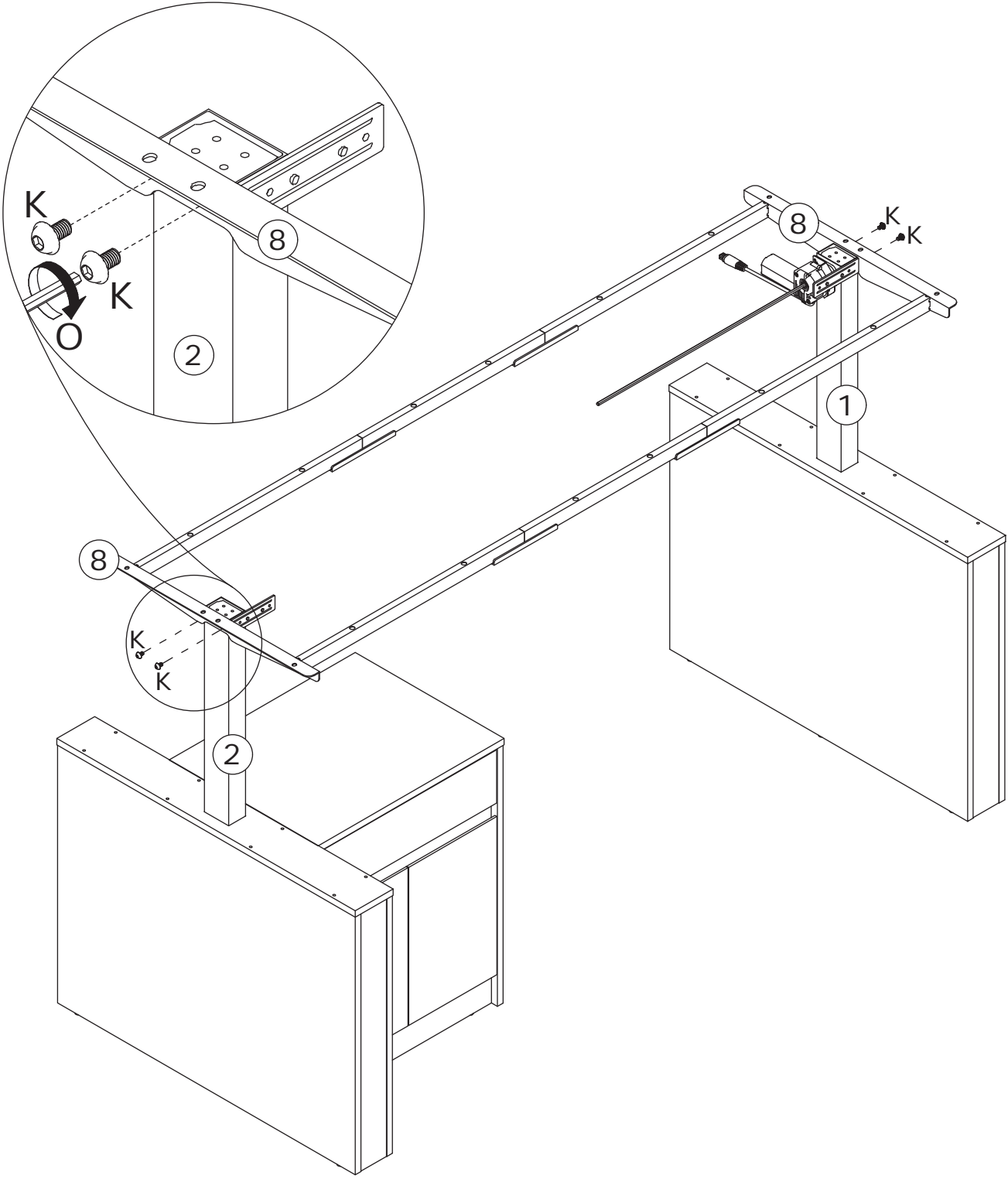
Connect part 8 to part 5 using screw(K) as shown .



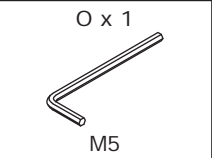
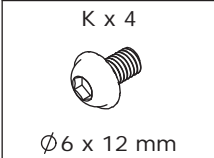
19



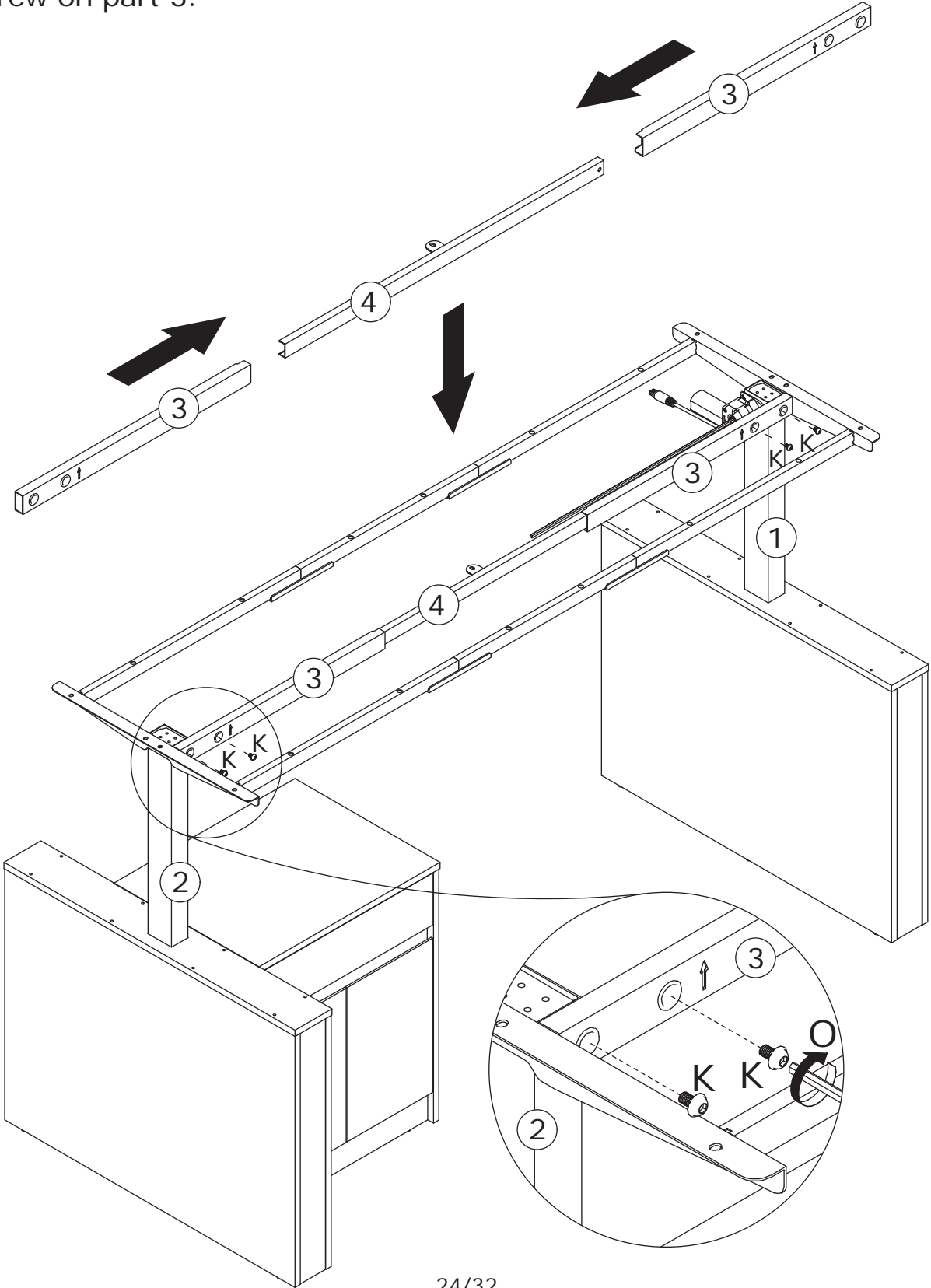
Connect the component in step 18 to part 1 and 2 using screw(K) as shown.
Please pay attention to the direction.



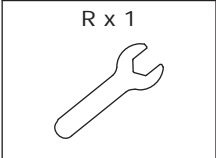
20



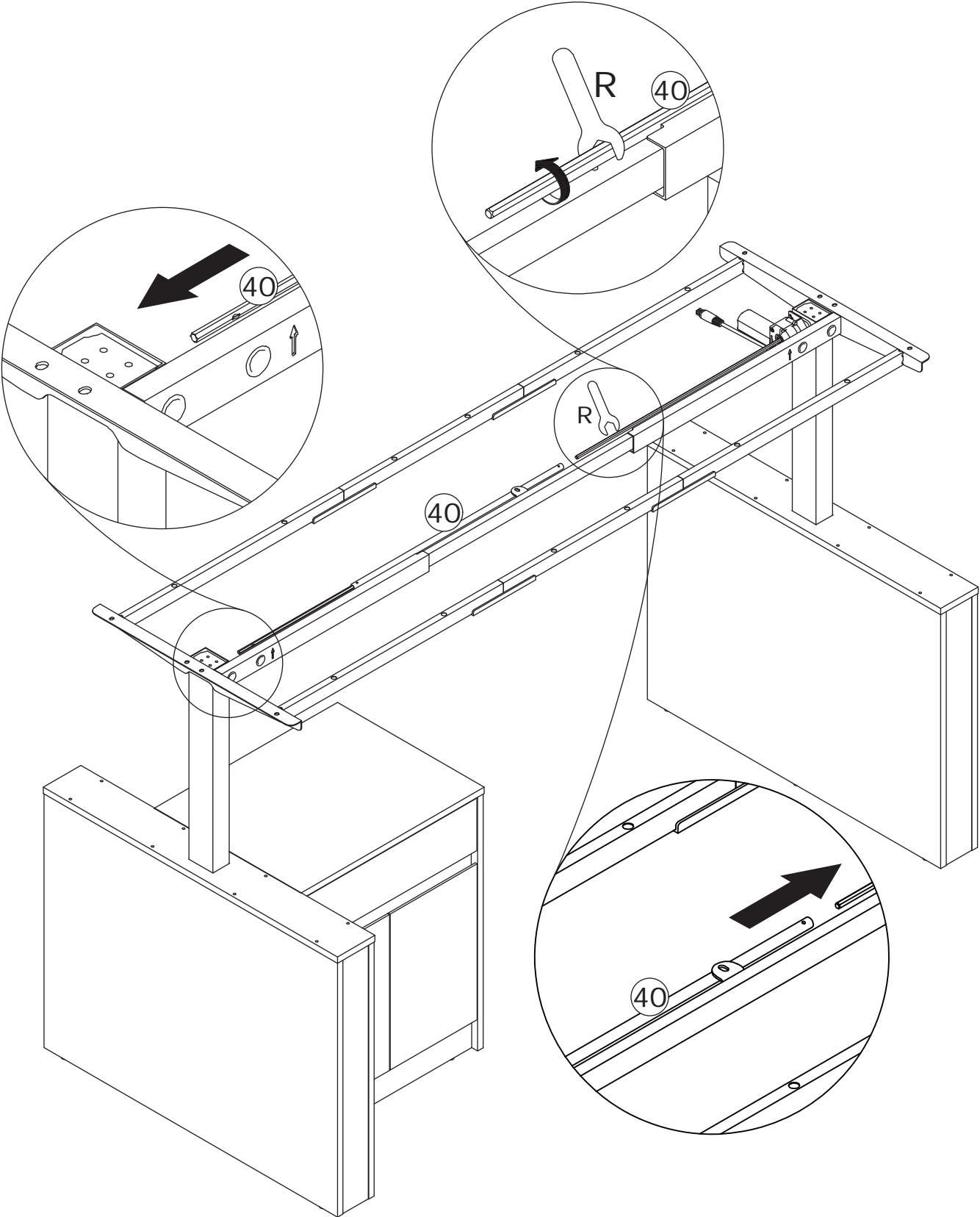
Joint part 3 and 4 at first then attach to part 1 and 2 using screw(K) , tighten set screw on part 3.



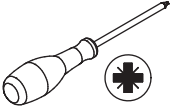
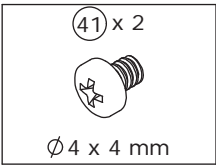
21



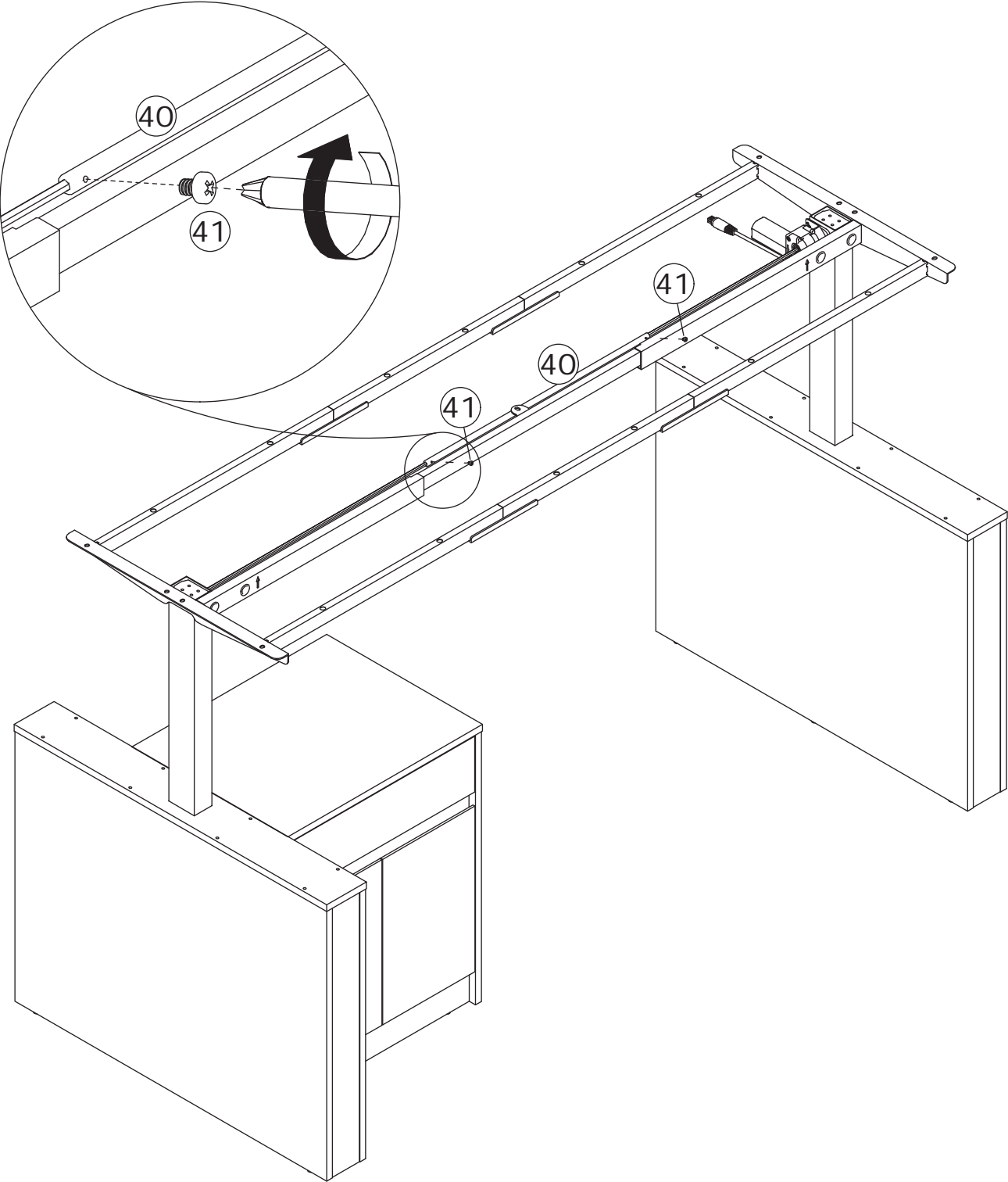
Connect thick part 40 with thin part 40, insert into part 2.
If unavailable, please adjust angle using spanner(R).



22

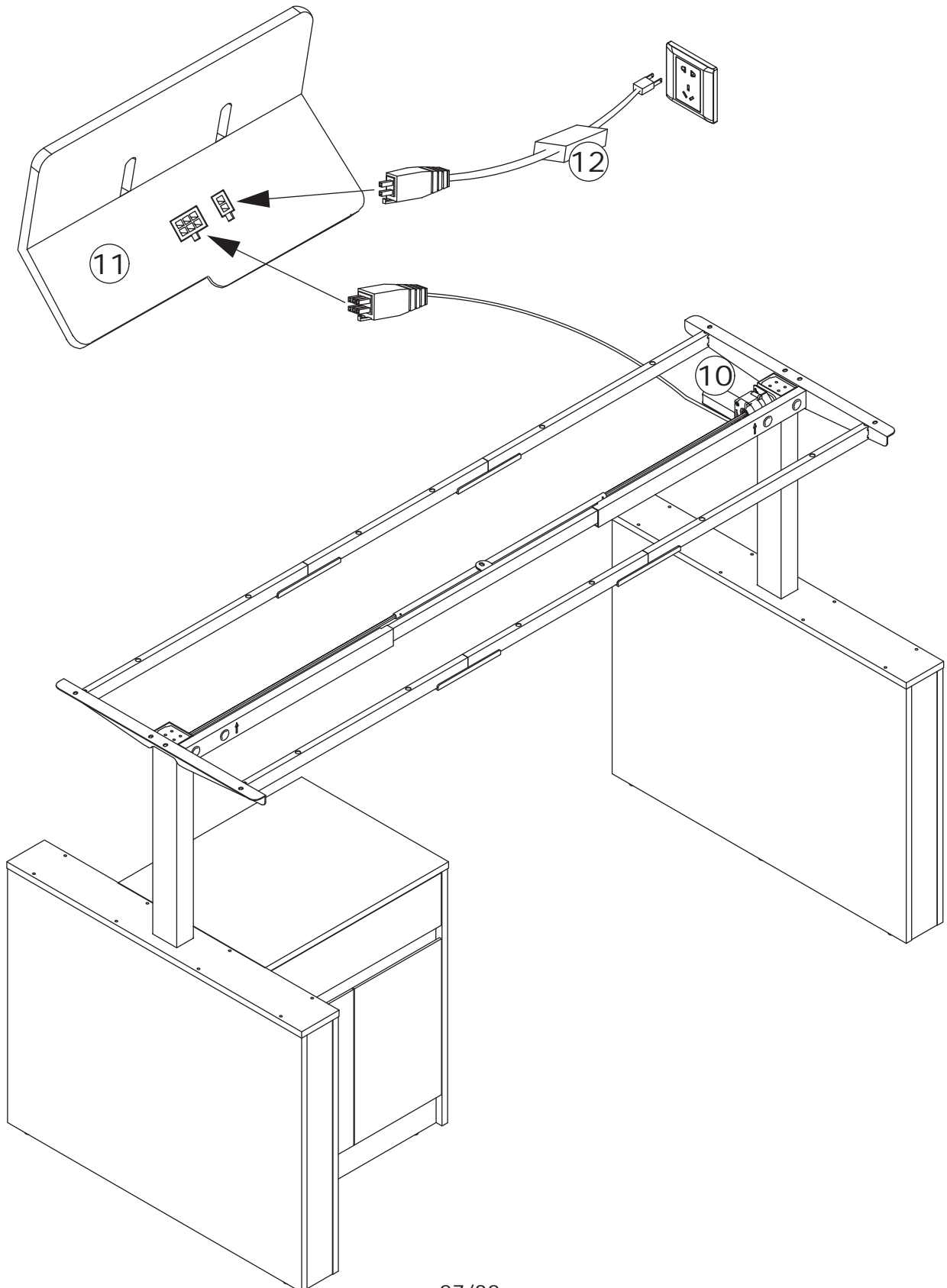


Fix part 40 with screw 41 after length available.

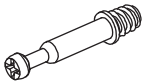




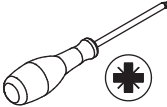


23

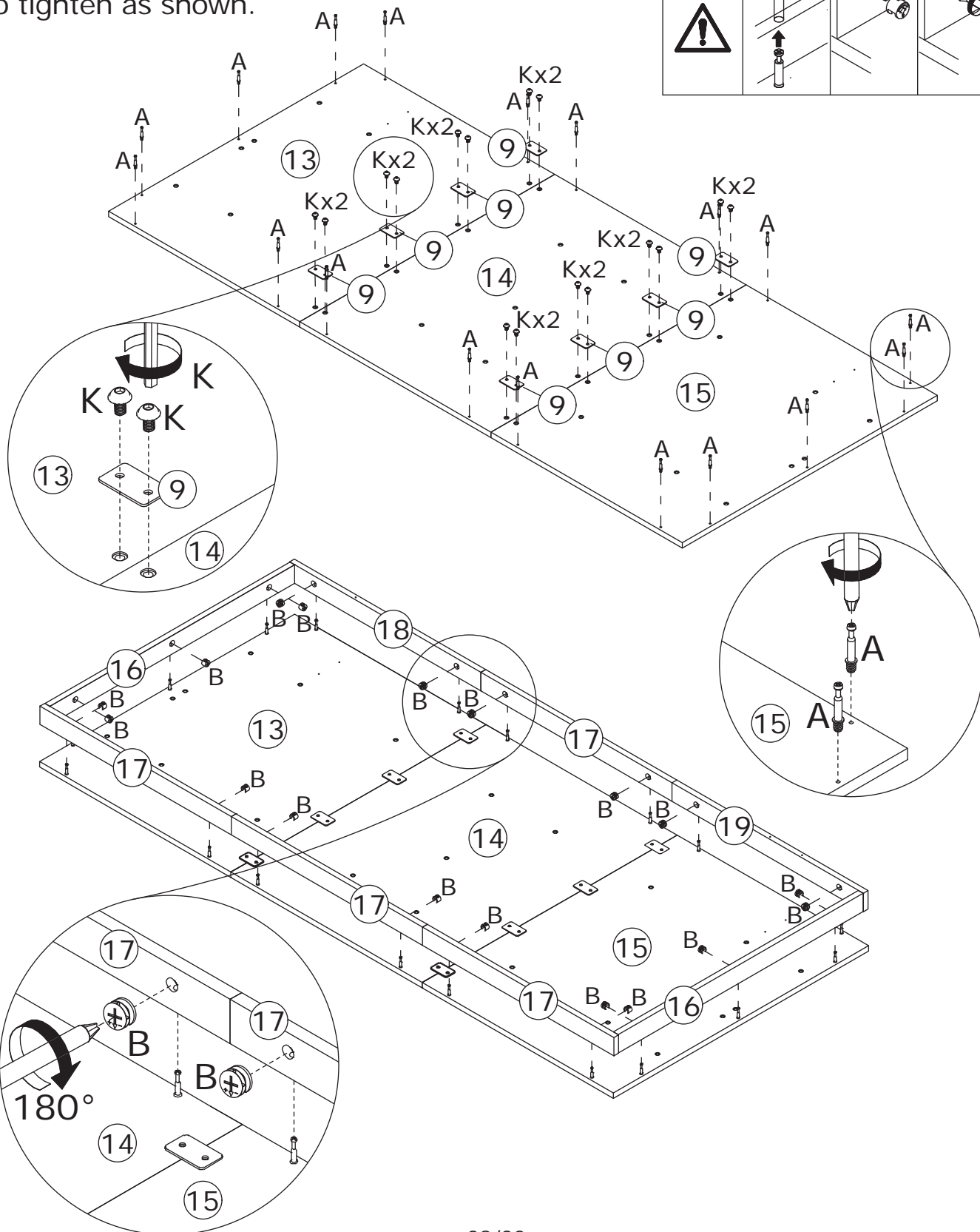
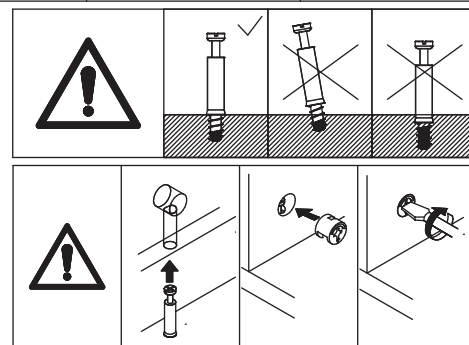
Connect electric machine 10 and plug 12 with control panel 11 as shown. Power on after installation finished.




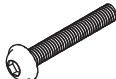
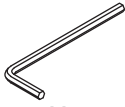
24

<p>A x 18</p>  <p>CRA0635A</p>	<p>B x 18</p>  <p>CRB1595A</p>	<p>K x 16</p>  <p>Ø6 x 12 mm</p>	<p>O x 1</p>  <p>M5</p>	<p>9 x 8</p> 	
---	---	---	---	--	---

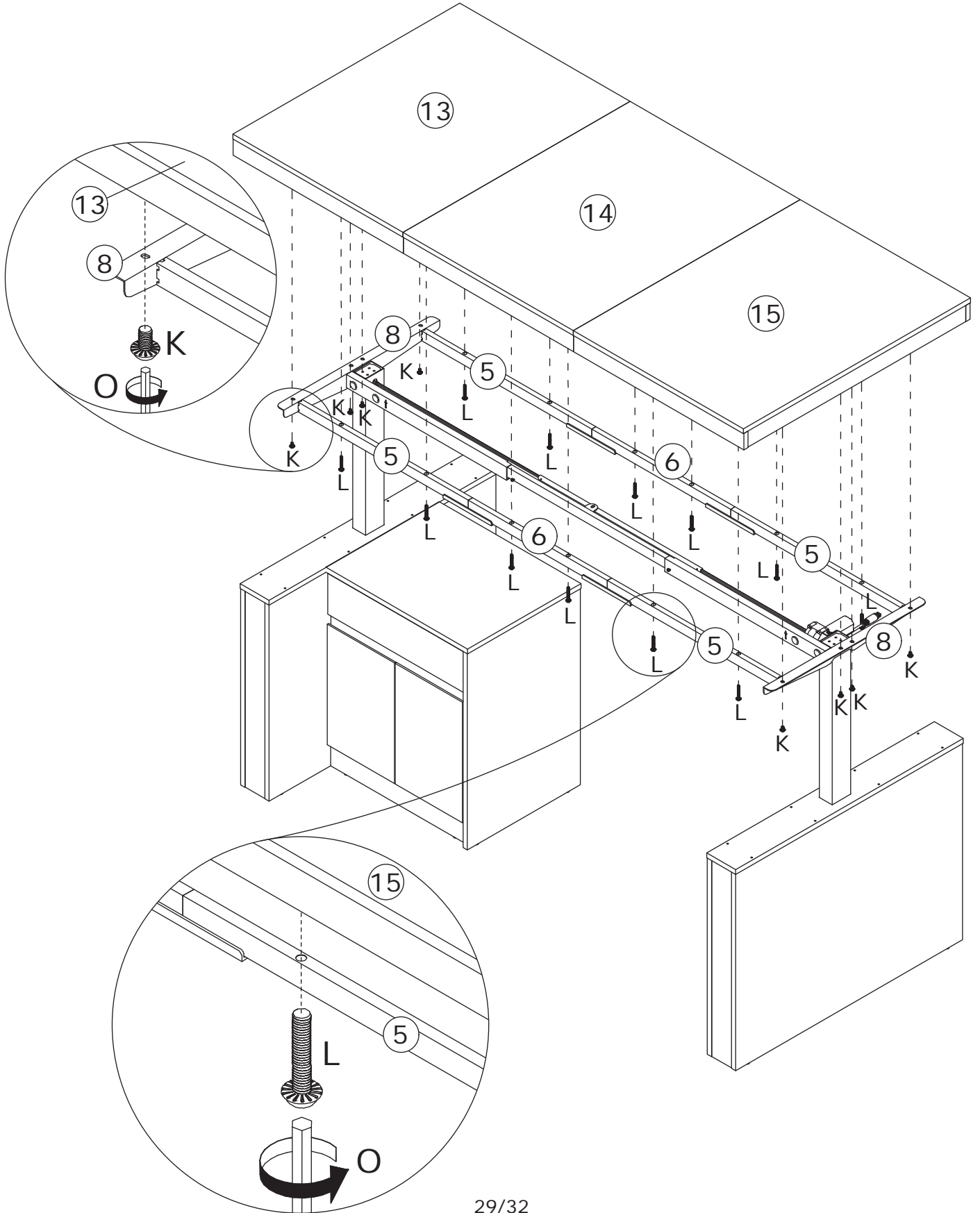
Screw eccentric rod(A) into panel 13, 14 and 15, connect with part 9 then fix using screw(K). Attach panel 16, 17, 18 and 19 to panel 13, 14 and 15, add cam lock(B) into and turn clockwise to tighten as shown.



25

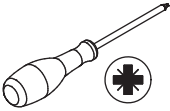
<p>K x 8</p>  <p>Ø6 x 12 mm</p>	<p>L x 12</p>  <p>Ø6 x 40 mm</p>	<p>O x 1</p>  <p>M5</p>	
--	---	--	--

Connect table to steel frame with screw(K) and screw(L) as shown.

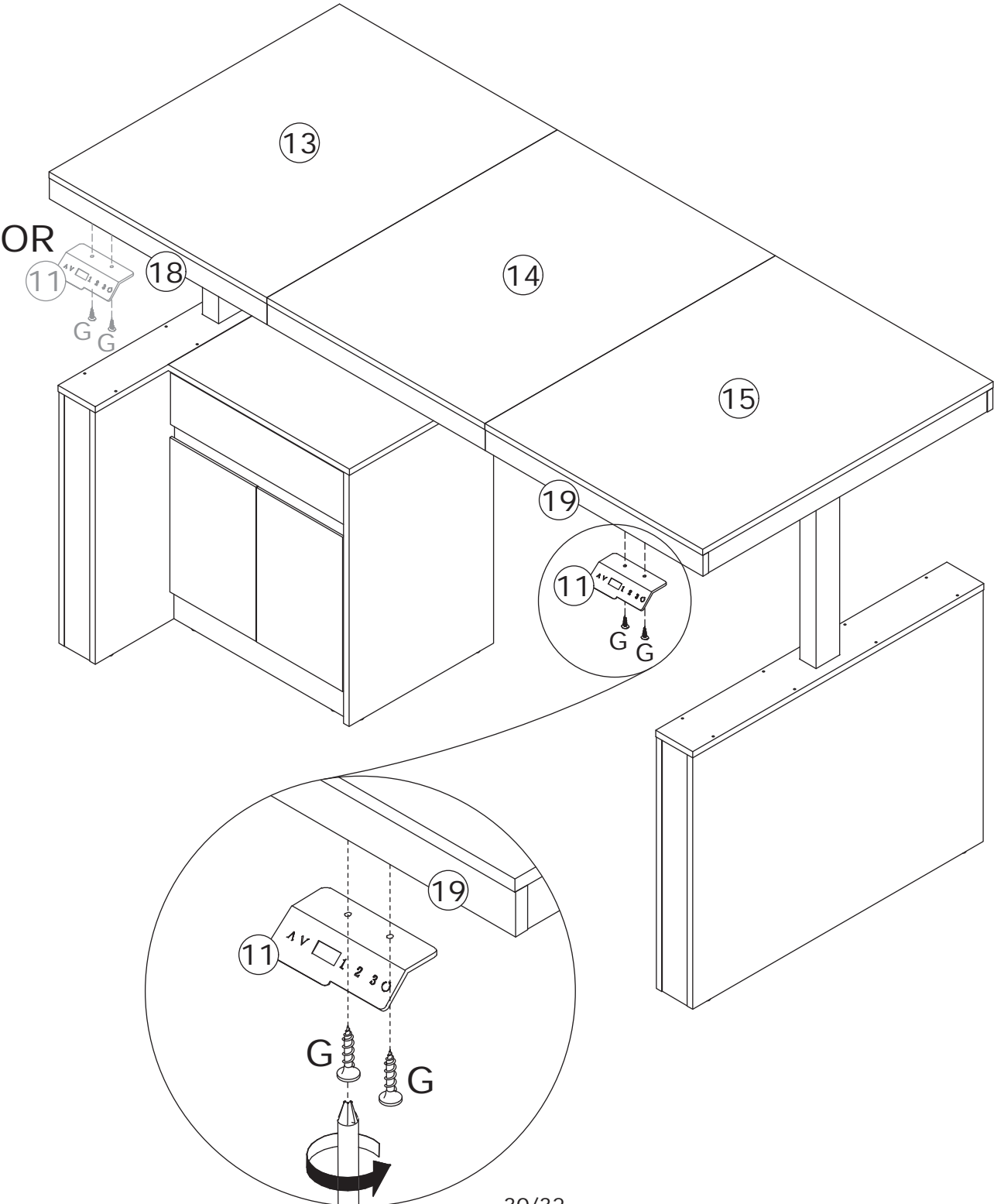


26

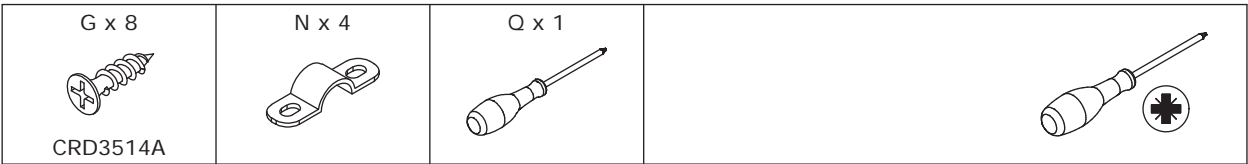
G x 2
CRD3514A



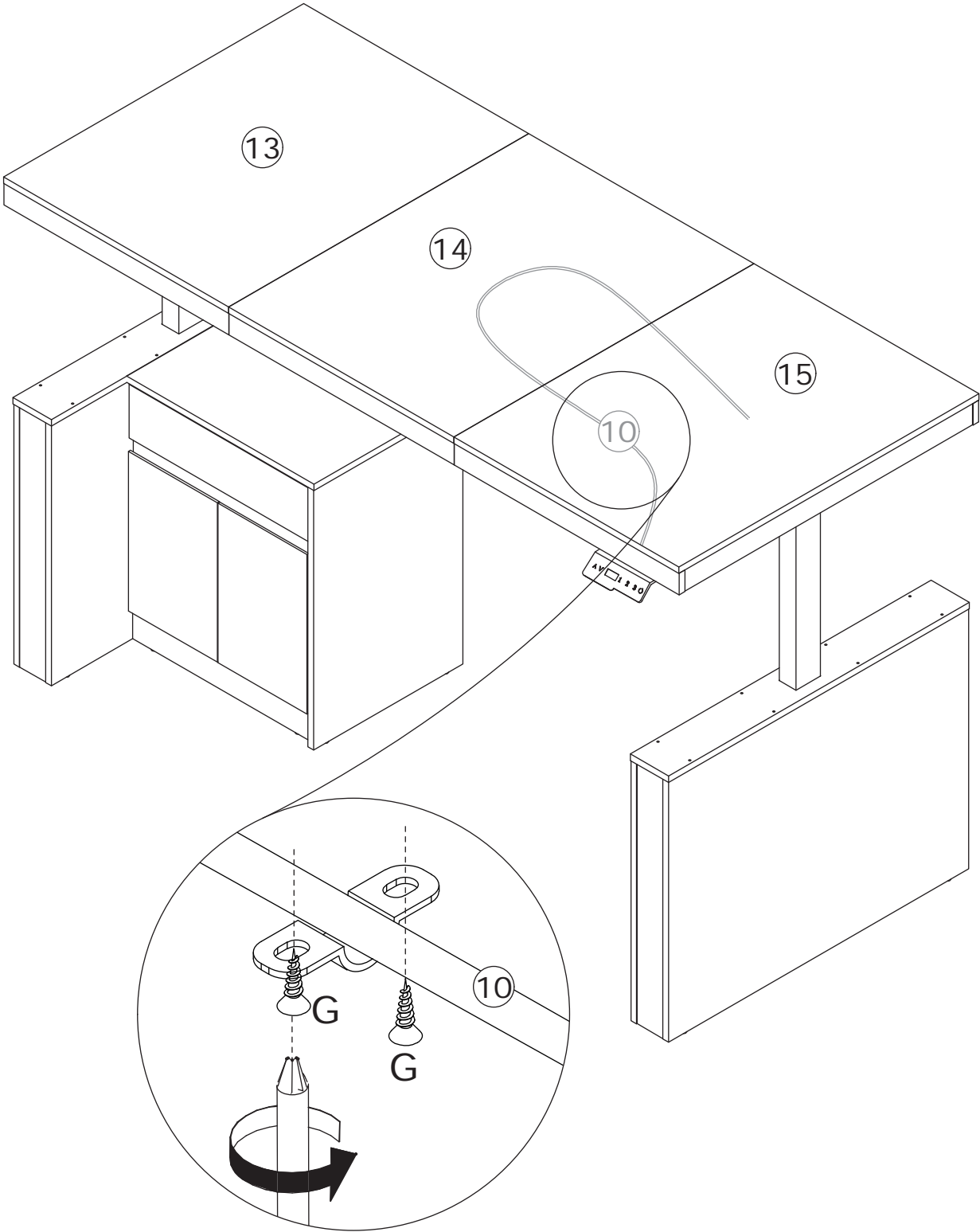
Fix control panel 11 on panel 18 or 19 with screw(G).

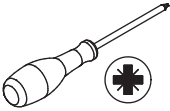


27



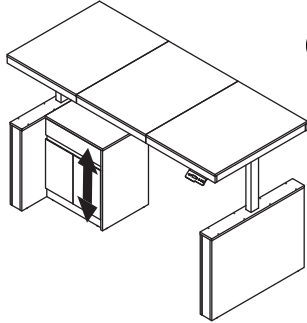
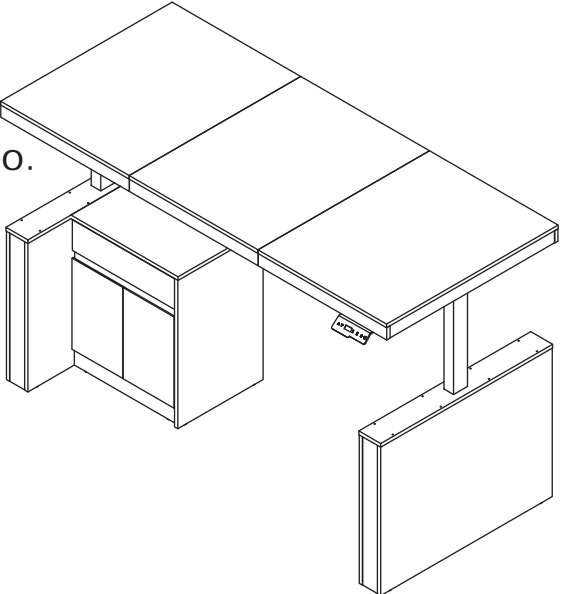
Settle wire using clip(N) and fix with screw(G) .



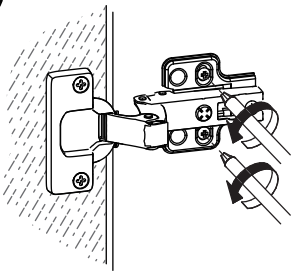


If doors are still not aligned if the hinges are properly correctly, please watch the video.

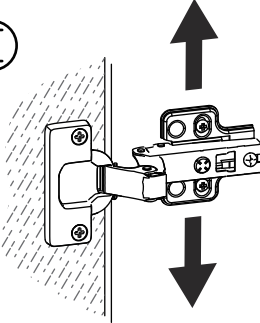
<https://youtu.be/n0Lb36SoODM>



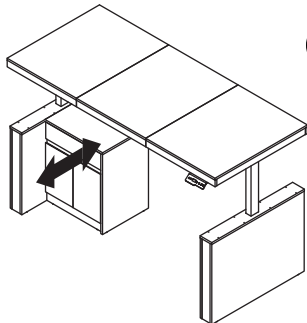
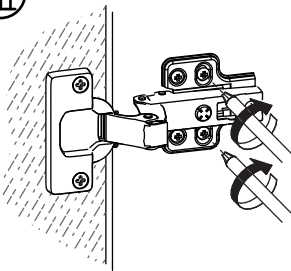
I



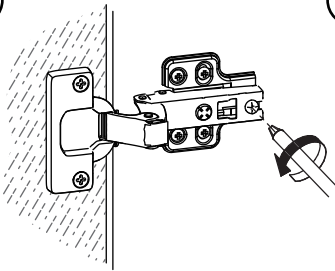
II



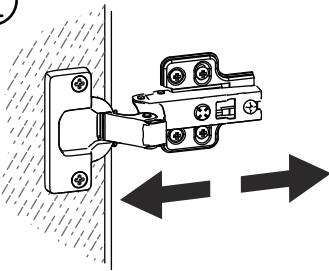
III



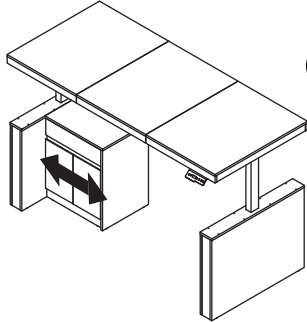
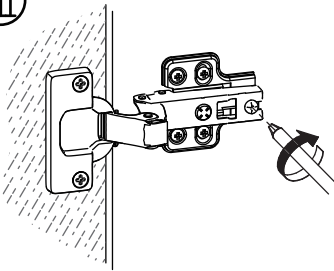
I



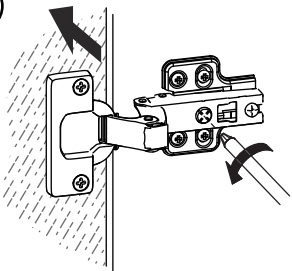
II



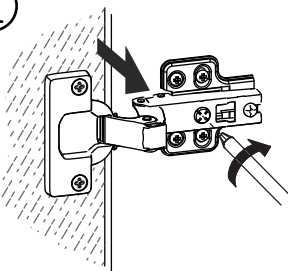
III



I



II



WARRANTY

WARRANTY CLAIMS

- There is a 30-day warranty for broken furniture or any other problems that do not work properly. The warranty will start from the date of purchase which must be verified by proof of purchase.
- Before making a claim, we may be able to answer your query, simply call us. Please leave your purchase order number, along with some details of the problem, if you want a replacement part. We will arrange within 48 hours. If there is out of stock, we will reply with a shipping date.
- The product must be used in accordance with the instructions provided. For health reasons.
- For other reasons, if the furniture needs to be returned, it must be cleaned and dried and operated within 30 days of receipt.

Type of Warranty Claim

- Failure to follow the furniture instructions will invalidate the warranty. Attention please.
- Does not include damage during installation, but includes damage during transportation.

Scope of responsibility

- Shall not bear any responsibility for misuse or user damage and / or loss of parts during the installation of furniture.
- After using, the damage and scratches of the furniture are not covered by the warranty.

The Warranty Relates to All Bought in The Us and Covers The Following Areas

- Sheet parts: 1 month from the date of purchase.
- Electrical parts: 1 month from the date of purchase.

RETURNS

CHANGED YOUR MIND AND NEED TO RETURN YOU ITEM?

PLEASE FOLLOW THE BELOW INSTRUCTIONS:

- If you have purchased and have simply changed your mind, follow the retailer's instructions for returns.

DEFECTIVE ITEMS

- If your item is defective in any way, i.e. it doesn't work but you can't identify why, in the first instance, please call us.

DAMAGED ITEMS

- If you receive an order with obvious shipping damage from the retailer, then we suggest the delivery is refused. If the delivery has been accepted and then shipping damage is found, please follow the specific instructions advised by the retailer.
In all circumstances please save all packaging material and paperwork for the order. Please be aware that if you dispose of packaging material or attempt to return the merchandise without contacting the fulfiller, you jeopardise your chances of making a claim, and you may not receive a credit for the return.

AFTER-SALES CONTACT

