

End Table

Assembly Instructions



Safety And Care Advice

Important – Please read these instructions fully before starting assembly.

Please check if all the components and tools listed on pages 3 - 4 are received.

Please remove all fittings from the plastic bags and separate them into homologous groups.

Please keep children and animals away from the working areas; swallow small parts may cause suffocation.

Please make sure you have enough space to lay out the parts before starting.

Do not stand on the product, which could cause damage.

Please assemble the product as close to its final position as possible.

Do not place furniture directly in front of radiators, fires, or any other source of heat.

The assembly will be easier with 2 people.

Please dispose of all packaging carefully and responsibly.



General care and maintenance.

Please clean with a damp cloth or mild detergent, do not use bleach or abrasive cleaners.

Do not allow the spill to stay on the surface for a long time.

Do not clean with products containing the following: acetone (e.g., nail varnish remover), ammonia (e.g.bleach), or sodium hydroxide(e.g., caustic soda, drain, and oven cleaners).

If the product is accidentally exposed to the irritating liquid, rinse thoroughly with clean water

Mats can be used to protect surfaces from moisture and heat.

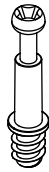

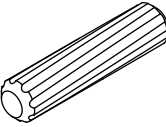
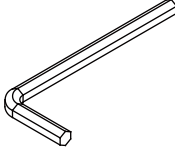
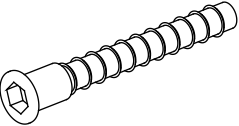
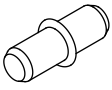
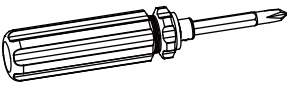
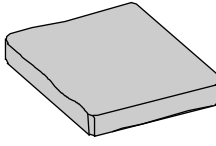
Please check whether there are missing screws in the product regularly

The product should not be discarded with household waste, and please take it to your local authority waste disposal center

Components

Please check if all the pieces listed below are received.

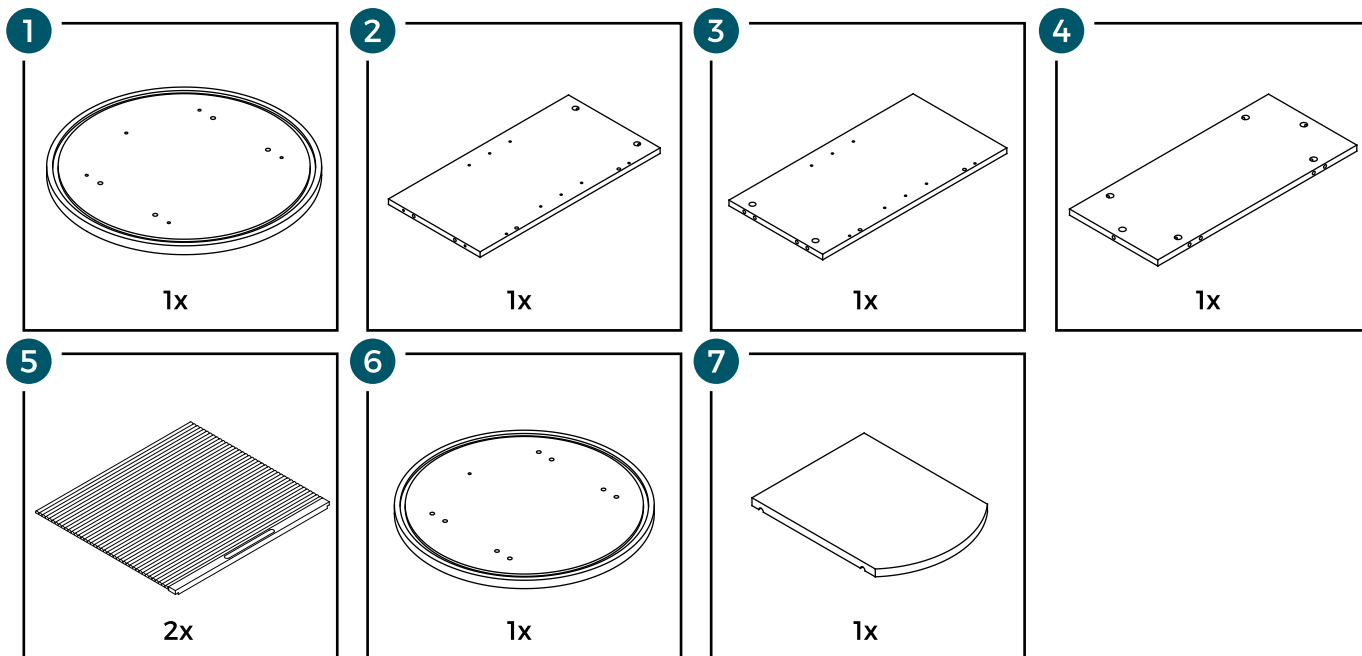
Hardware

<p>A Cam bolt</p>  <p>Ø6*35 mm 10x</p>	<p>B Cam lock</p>  <p>Ø15*10 mm 10x</p>	<p>C Wood dowel</p>  <p>Ø8*30 mm 12x</p>	<p>D Allen wrench</p>  <p>4 mm 1x</p>
<p>E Screw</p>  <p>Ø6*50 mm 4x</p>	<p>F Shelf pegs kit</p>  <p>4x</p>	<p>G Ratchet Screwdriver</p>  <p>1x</p>	<p>H Cire</p>  <p>1x</p>

Components

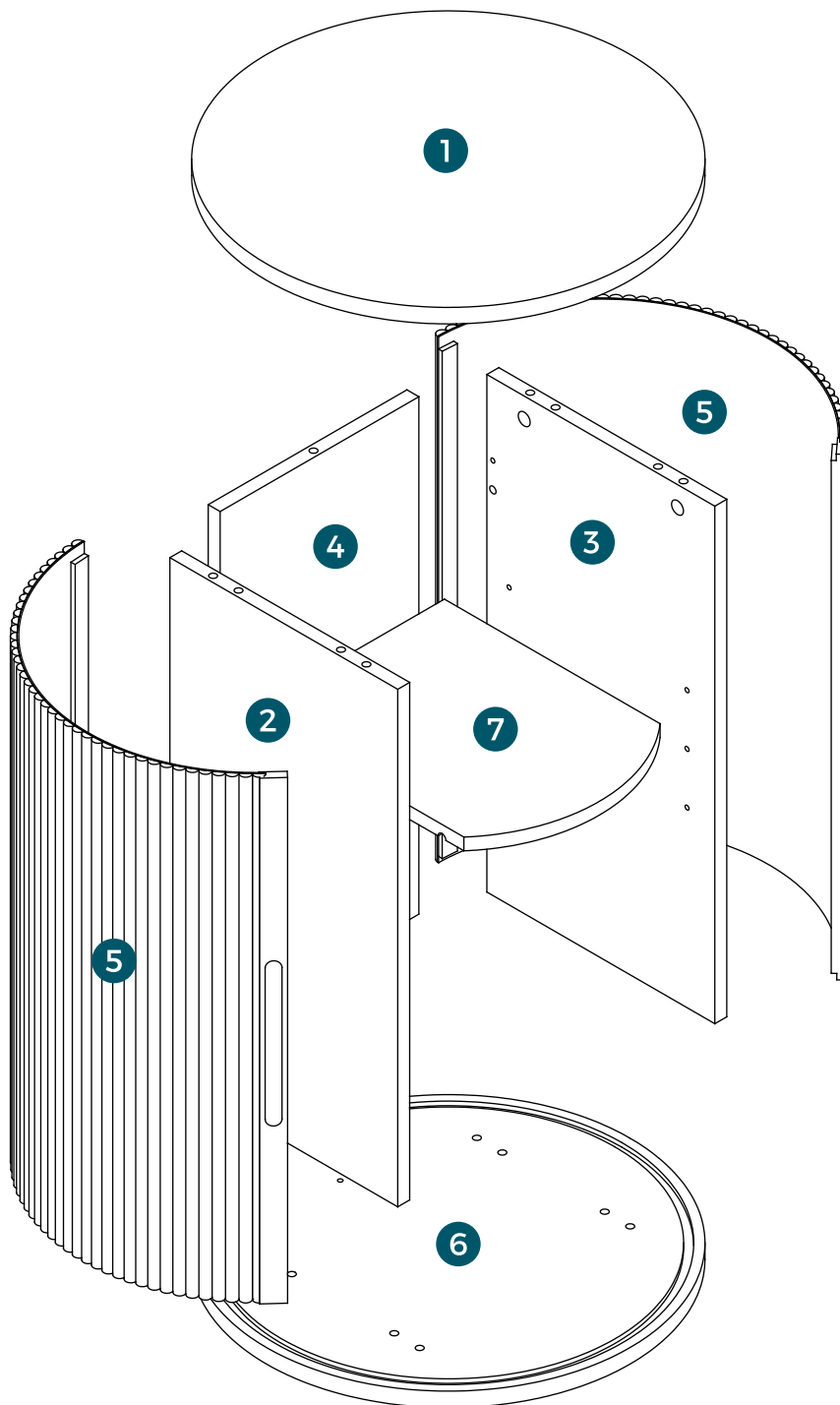
Please check if all the pieces listed below are received.

Parts



Exploded diagram illustration

Please check if all the pieces listed below are received.

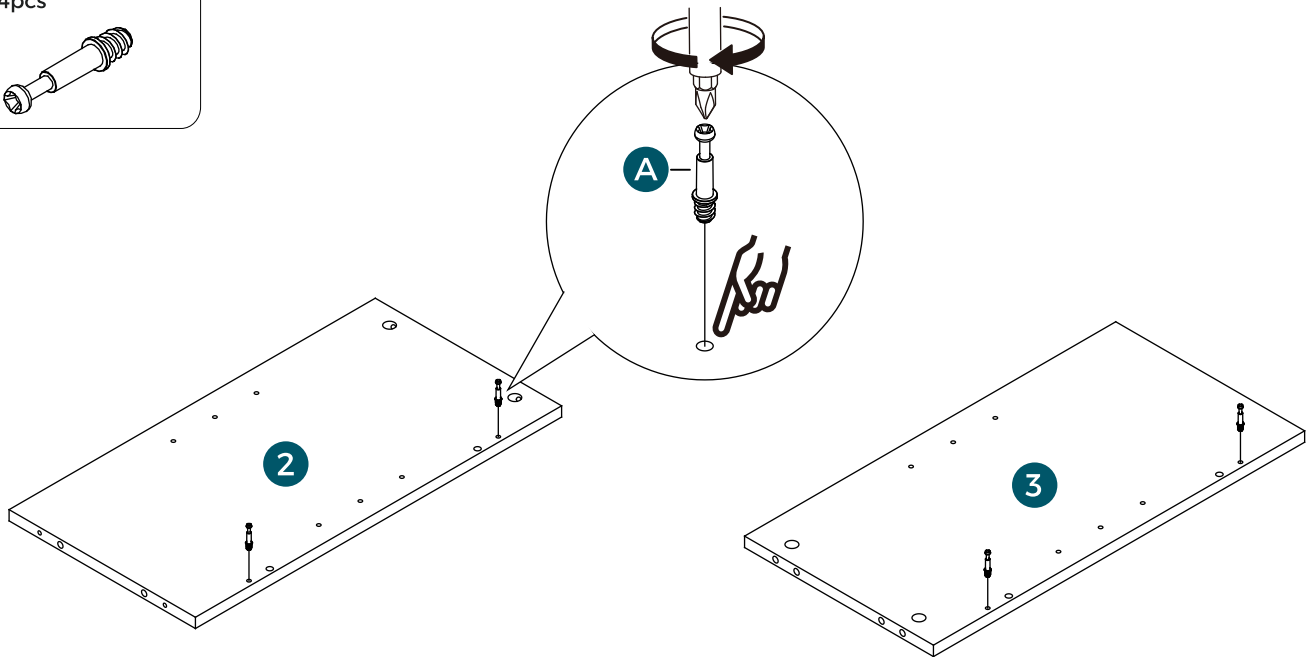
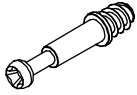


Assembly Instructions

Caution: Inappropriate installation of screws will cause damages to the product!

Step 1

A x 4pcs

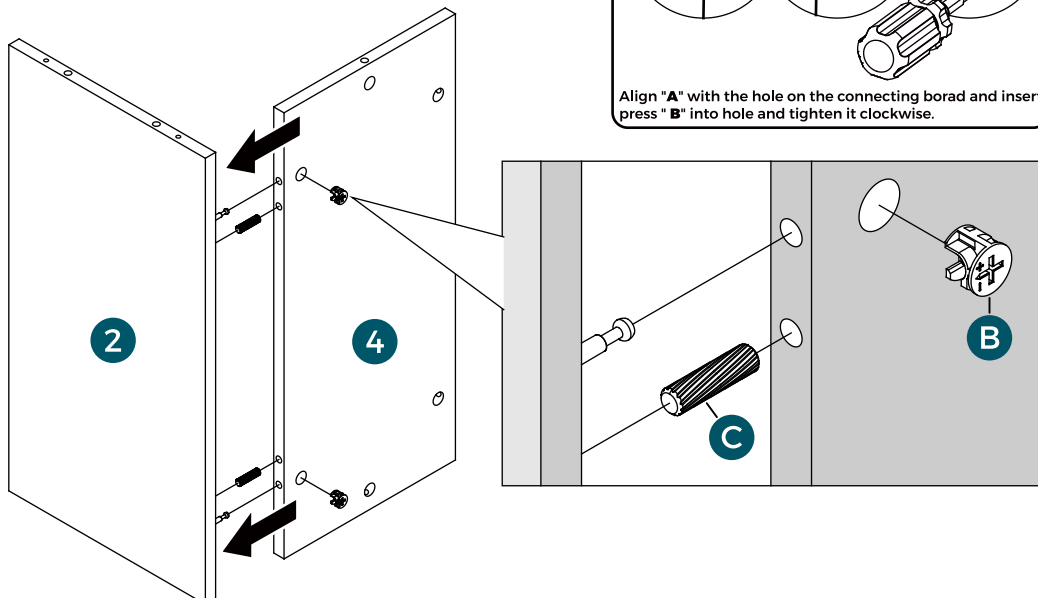
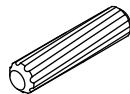


Step 2

B x 2pcs



C x 2pcs



Assembly Instructions

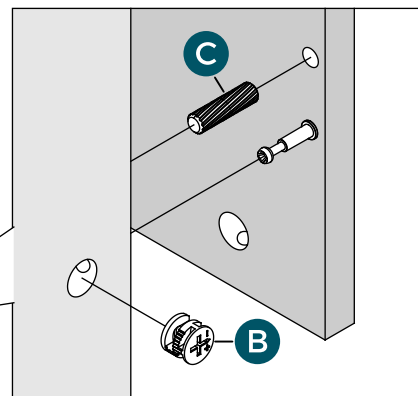
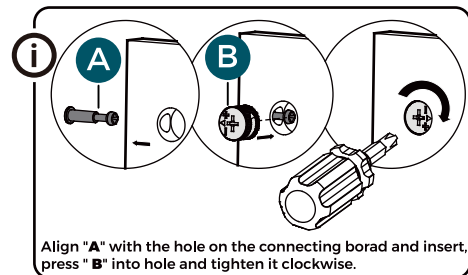
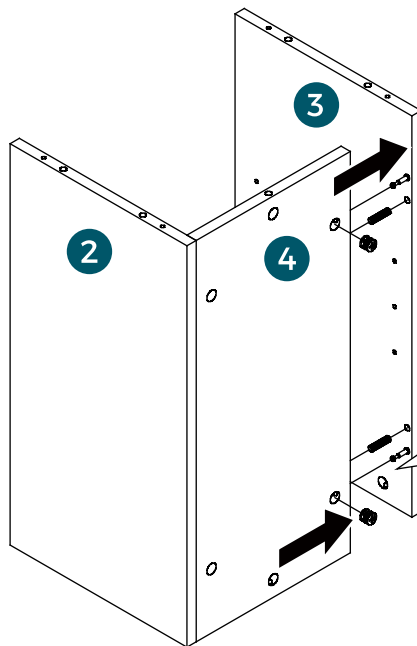
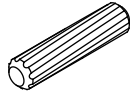
Caution: Inappropriate installation of screws will cause damages to the product!

Step 3

B x 2pcs

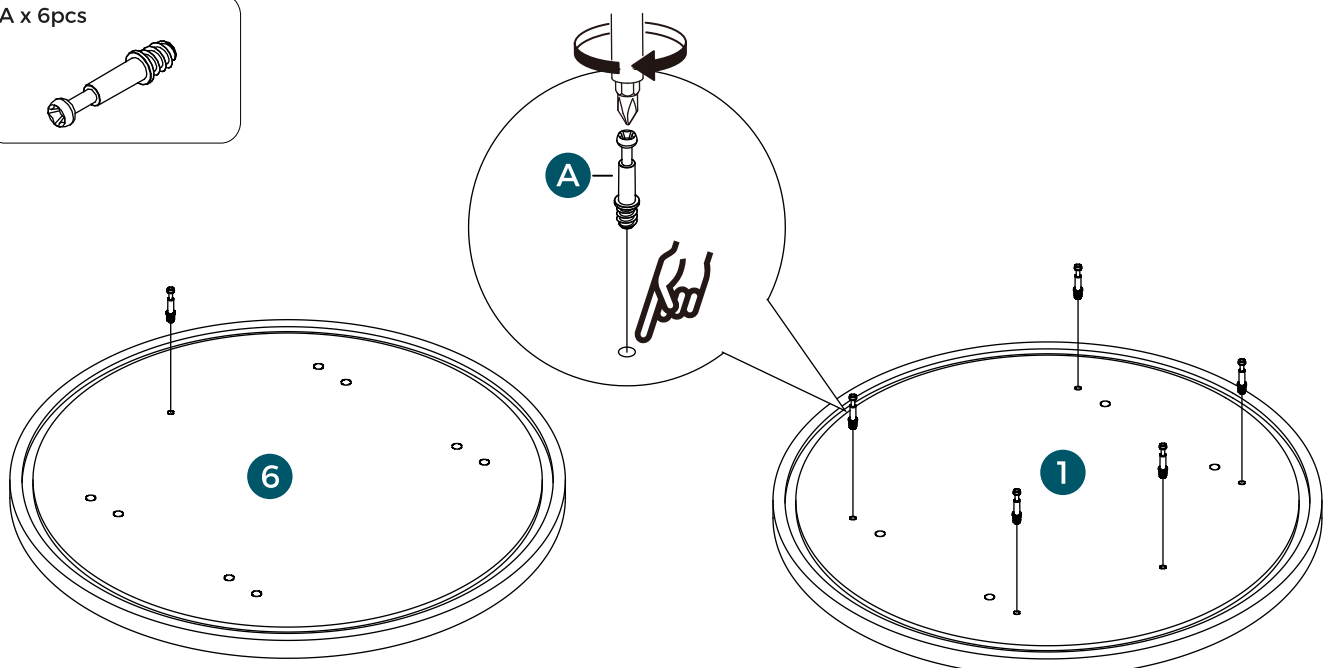
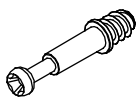


C x 2pcs



Step 4

A x 6pcs



Assembly Instructions

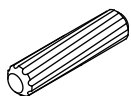
Caution: Inappropriate installation of screws will cause damages to the product!

Step 5

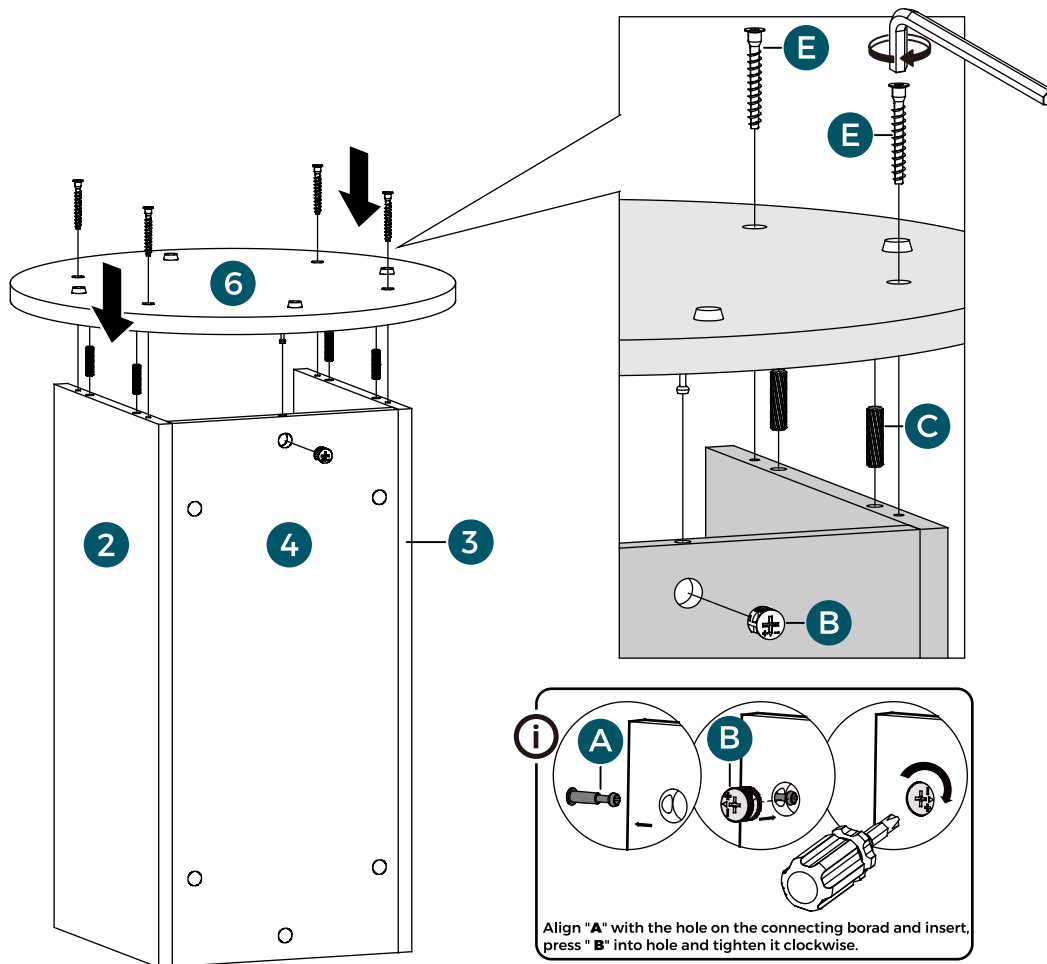
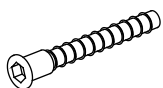
B x 1pcs



C x 4pcs

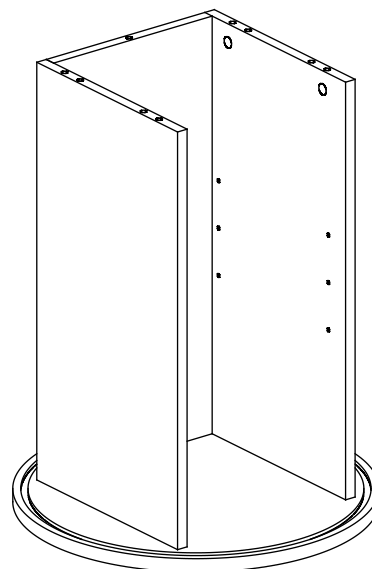
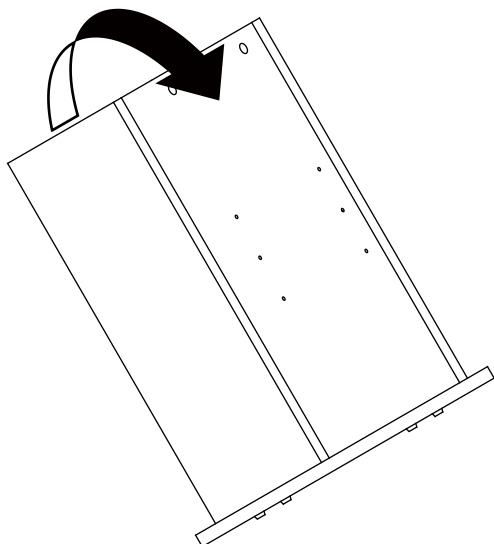


E x 4pcs



Step 6

i Please rotate the cabinet 180 degrees to its normal position and prepare to install the top panel.



Assembly Instructions

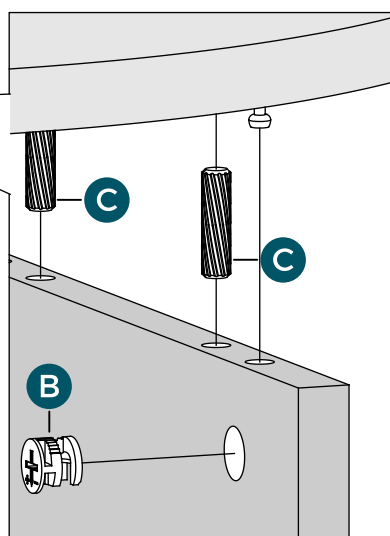
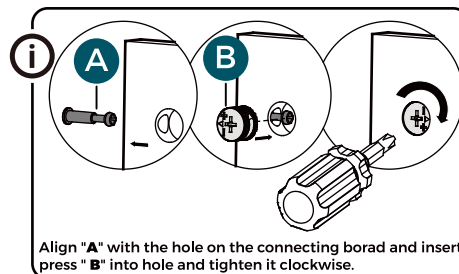
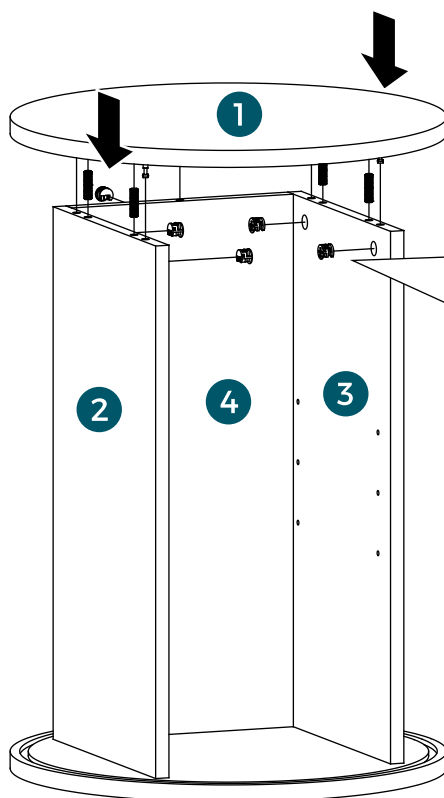
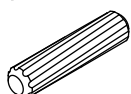
Caution: Inappropriate installation of screws will cause damages to the product!

Step 7

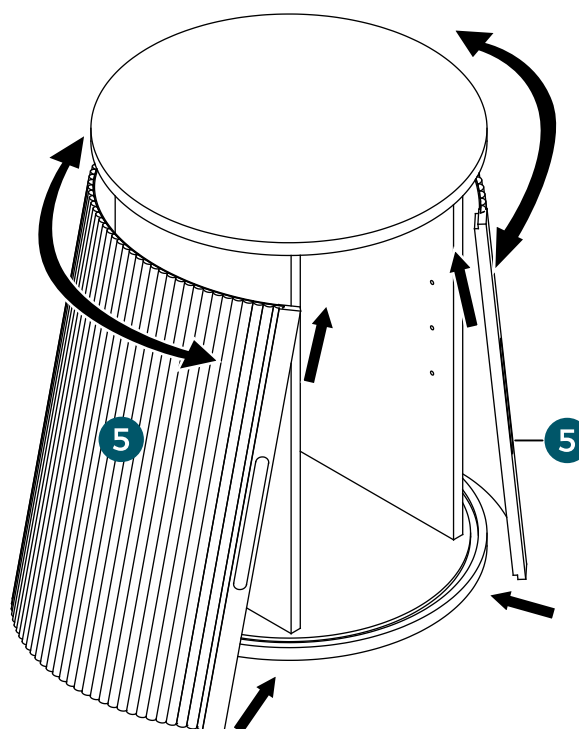
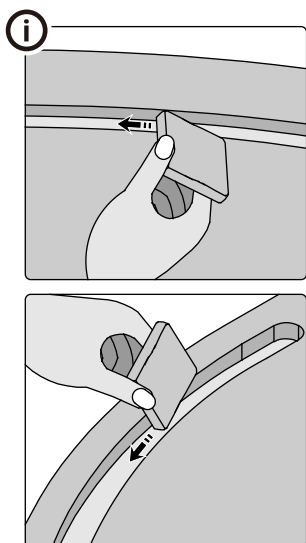
B x 5pcs



C x 4pcs



Step 8

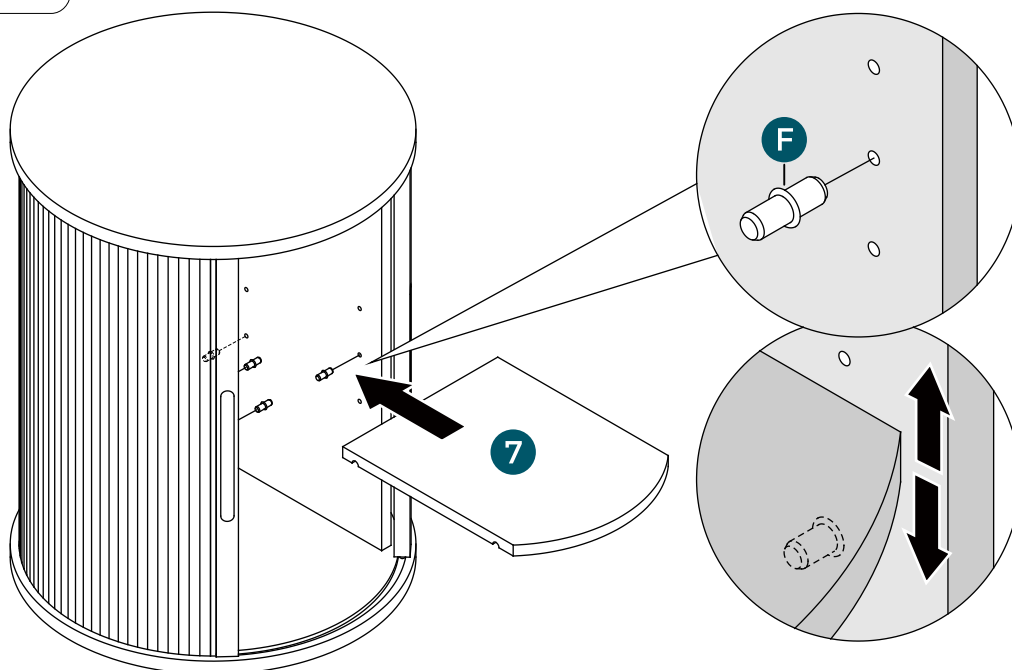


Assembly Instructions

Caution: Inappropriate installation of screws will cause damages to the product!

Step 9

F x 4pcs



Step 10

