

ASSEMBLY INSTRUCTIONS



ASSEMBLY INSTRUCTIONS

ASSEMBLY TIPS:

1. Remove hardware from box and sort by size.
2. Please check to see that all hardware and parts are present prior to start of assembly.
3. Please follow attached instructions in the same sequence as numbered to assure fast & easy assembly.





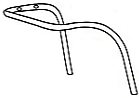


WARNING!

1. Don't attempt to repair or modify parts that are broken or defective. Please contact the store immediately.
2. This product is for home use only and not intended for commercial establishments.





ASSEMBLY TIME

10 MINUTES

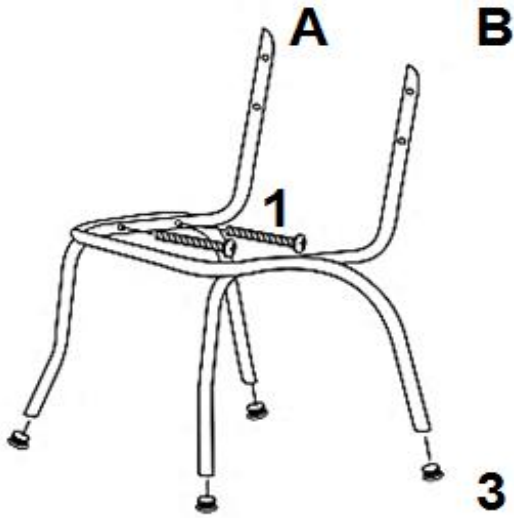
PARTS IDENTIFICATION

A	METAL TUBE A		1PC
B	METAL TUBE B		1PC
C	LEG TUBE		1PC
D	SEAT BACK		1PC
E	SEAT CUSHION		1PC

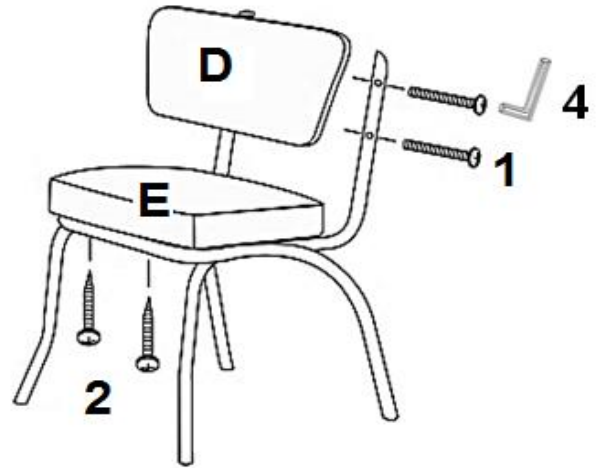
HARDWARE IDENTIFICATION

1	BOLT (1/4" x 41mm)		8PCS
2	SCREW (8# x 38mm)		4PCS
3	CAP (1")		4PCS
4	ALLEN WRENCH (4mm)		1PC

ASSEMBLY INSTRUCTIONS
STEP 1



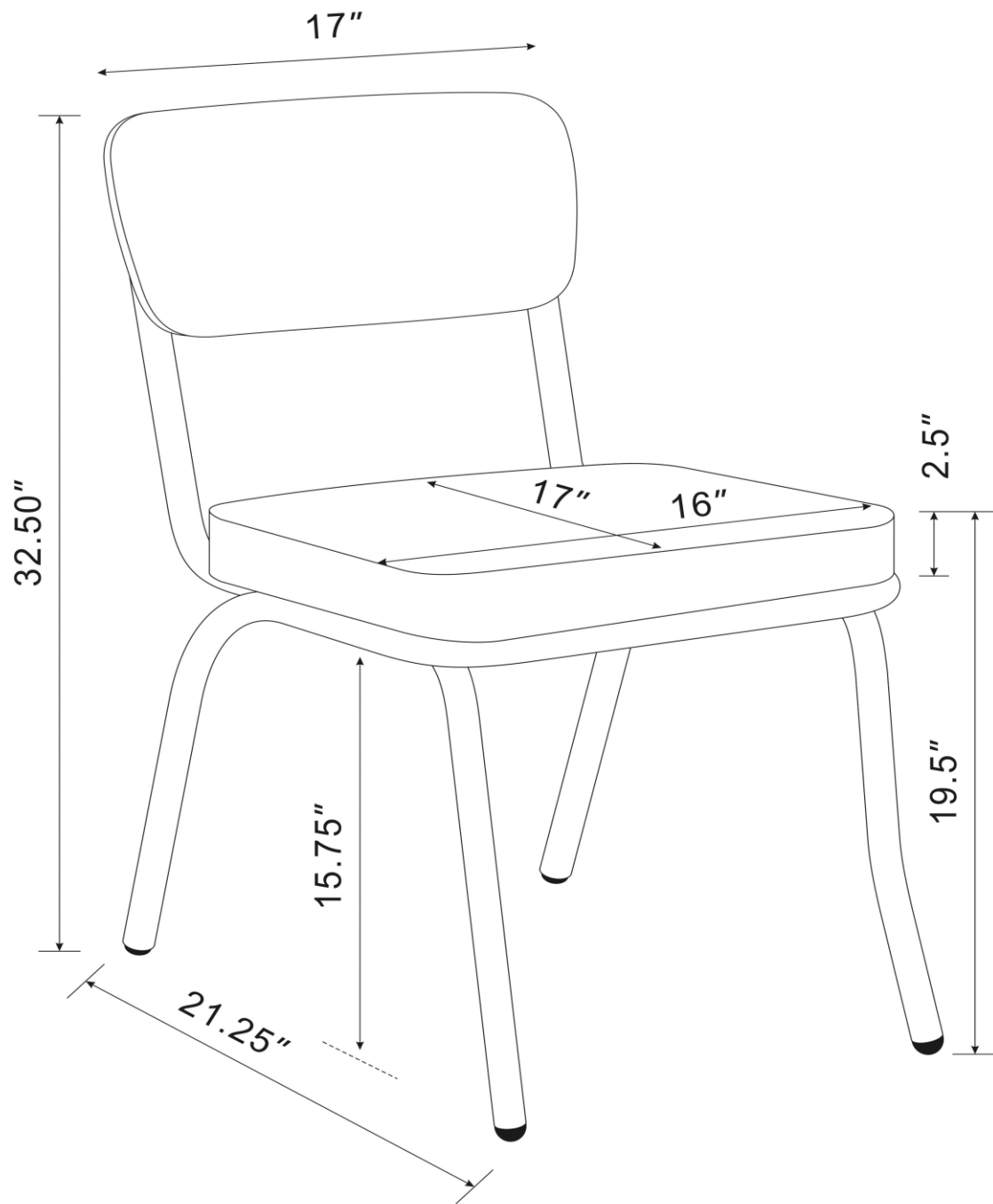
STEP 2



STEP 3

COMPLETE





Note : Dimension tolerance $\pm 5\%$