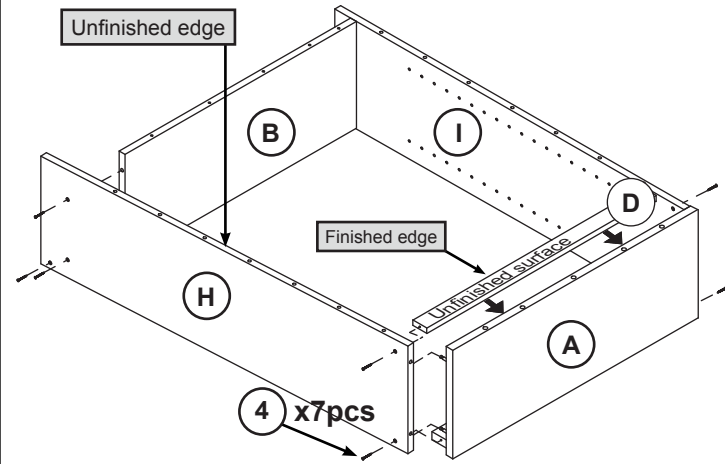
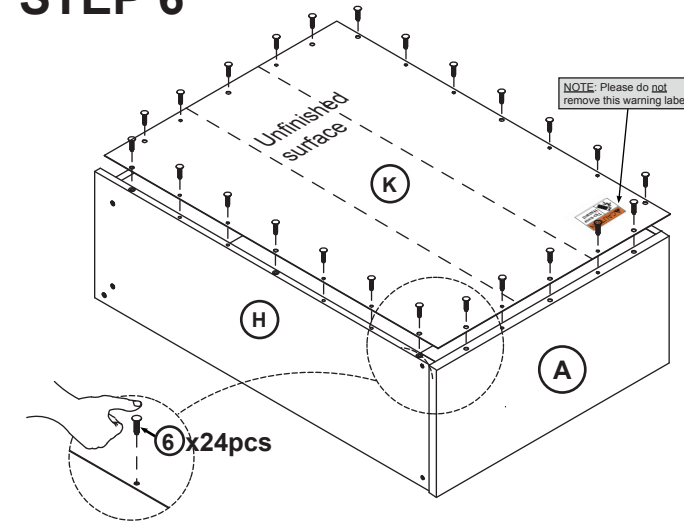


## STEP 5

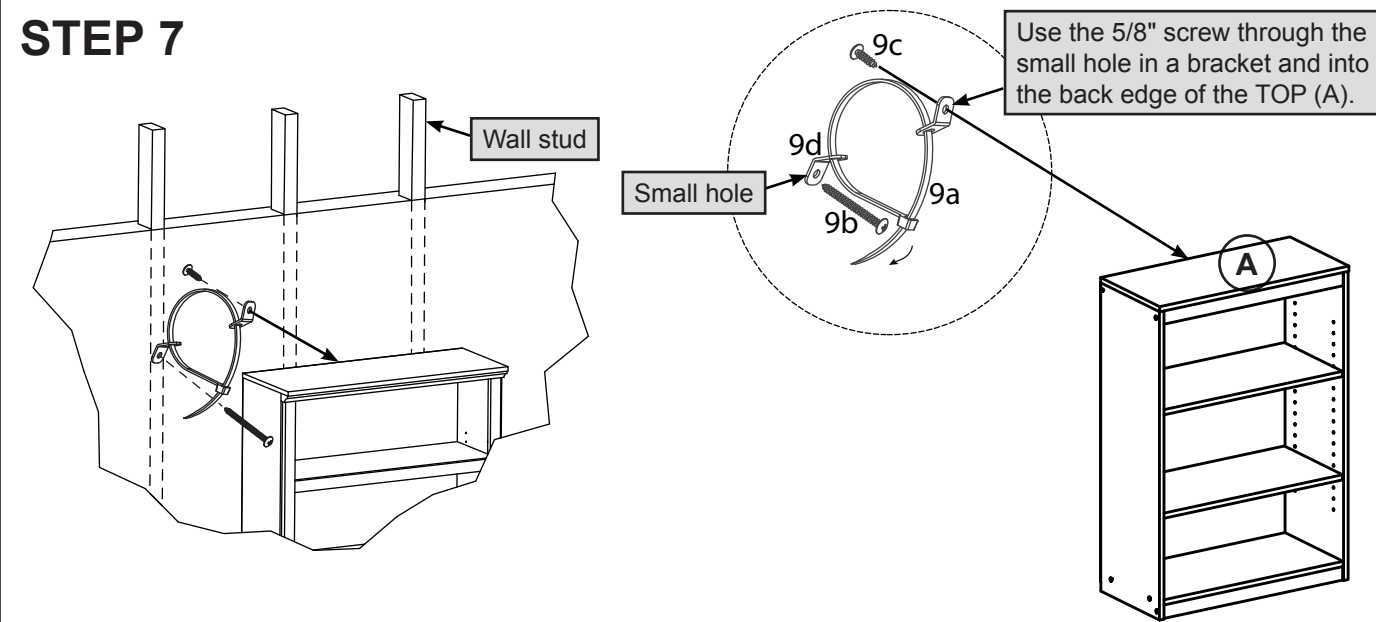
- 5.1 Attach Panel (D) to Panel (I).
- 5.2 Attach Panel (H) as shown.



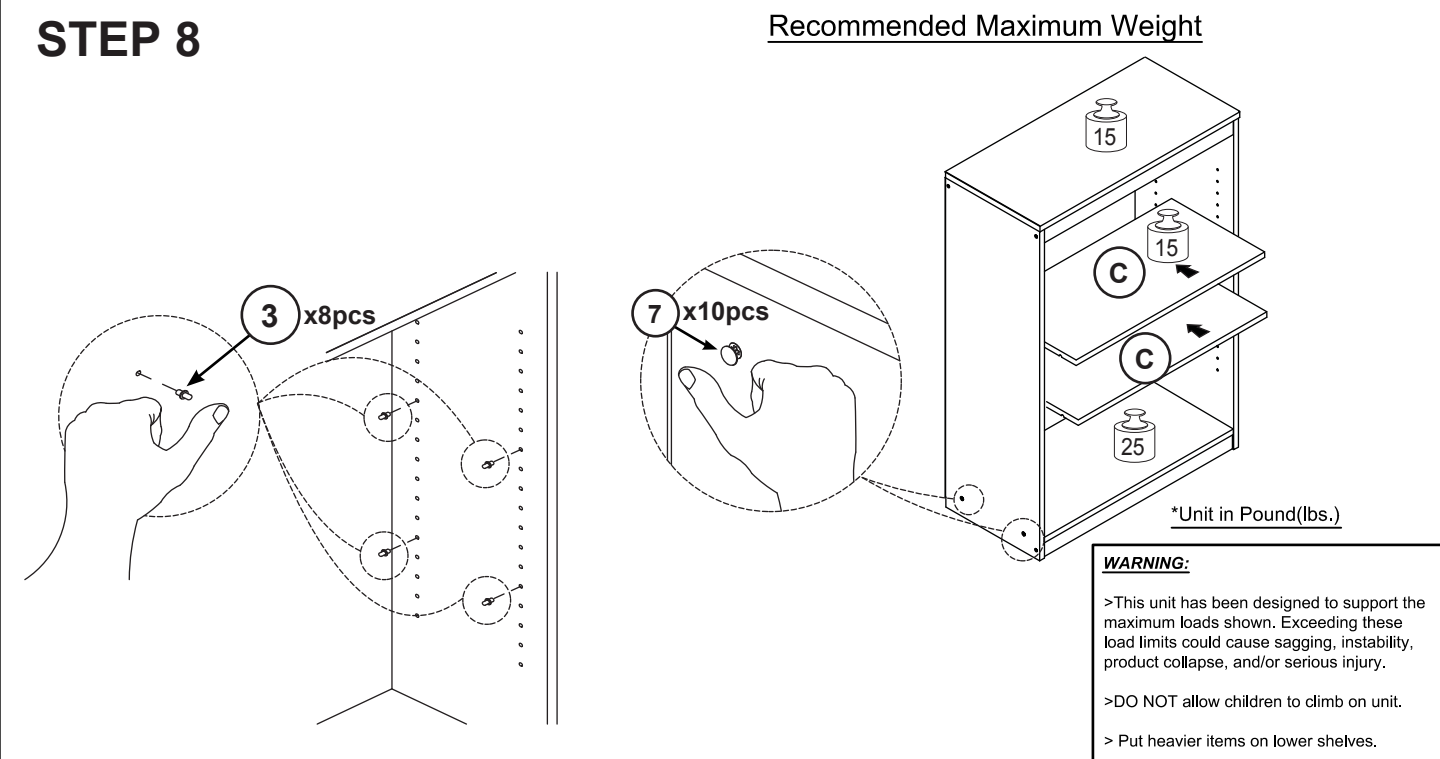
## STEP 6



## STEP 7



## STEP 8



# Assembly Instruction

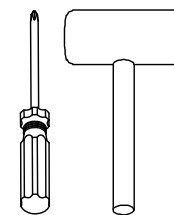
## 3-Tier Bookcase

00 30

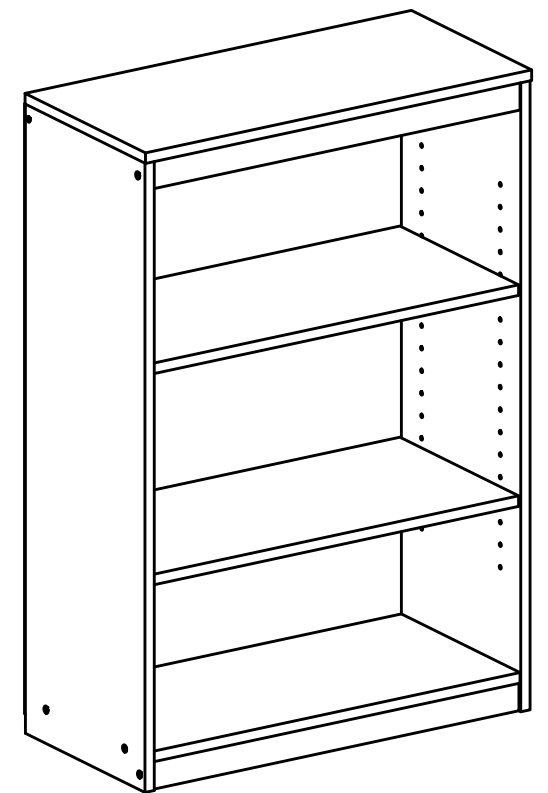
Approx. 30 minutes



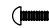





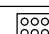

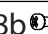




Recomm. 1 Person










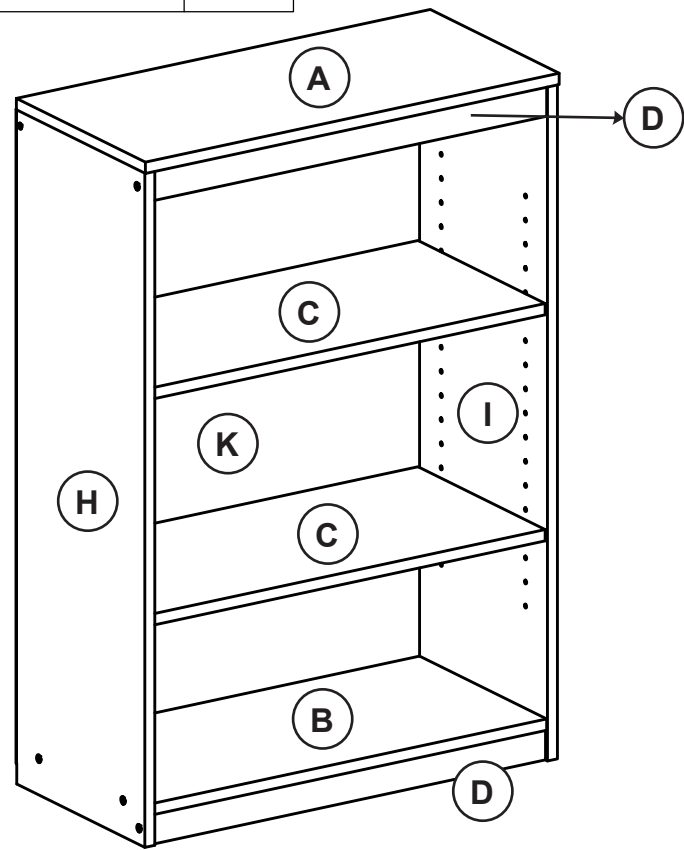
Tool Required



# HARDWARE & PARTS LIST

NO	HARDWARE LIST	QTY
1	SMALL SCREW 	8 PCS
2	ANGLE BRACKET 	4 PCS
3	SHELF SUPPORT 	8 PCS
4	LARGE SCREW 	10 PCS
5	WOOD DOWEL 	4 PCS
6	STOPPER 	24 PCS
7	SCREW COVER CARD 	10 PCS
8	MINIFIX 8a  8b 	4 SETS
9	WALL MOUNT SET 9a  x 1 PC 9b  x 1 PC 9c  x 1 PC 9d  x 2 PCS	1 SET

NO	PARTS LIST	QTY
A	TOP PANEL 	1 PC
B	BOTTOM PANEL 	1 PC
C	ADJUSTABLE SHELF PANEL 	2 PCS
D	SKIRIT BAR 	3 PCS
H	LEFT SIDE PANEL 	1 PC
I	RIGHT SIDE PANEL 	1 PC
K	BACK PANEL 	1 PC



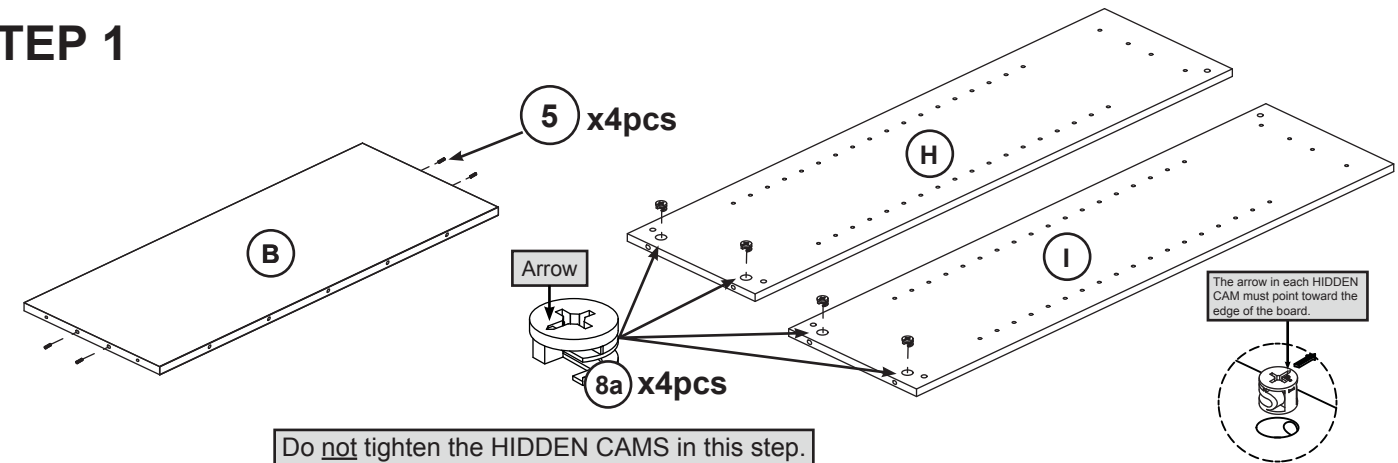
## USEFUL HINTS BEFORE YOU START:

1. Read each step carefully before starting.
2. It is important that each step is performed in correct order to avoid difficulties.
3. Identify, sort and count the parts before assembly.
4. Assemble your furniture on packaging cardboard to prevent scratch or damage.
5. Clean the product with mild cleanser using soft damped cloth. Do not use harsh or abrasive cleanser.
6. Using incompatible hardware might cause damage to product.

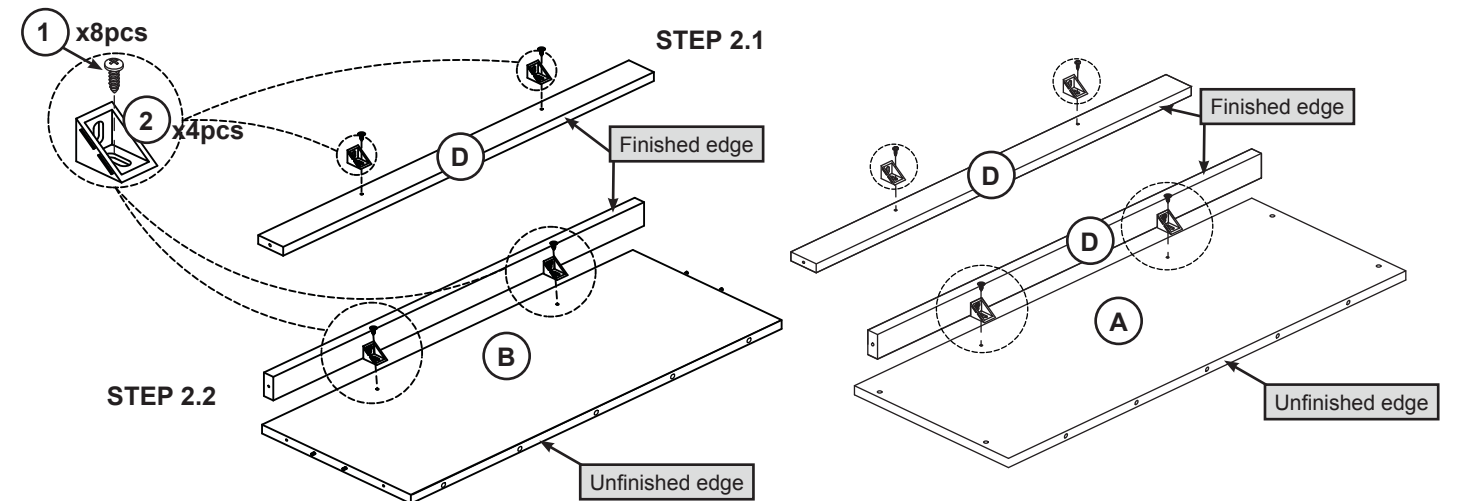
# ASSEMBLY INSTRUCTIONS

BEFORE YOU BEGIN, PLEASE READ ASSEMBLY INSTRUCTION CAREFULLY, FOLLOW THEM STEP BY STEP.

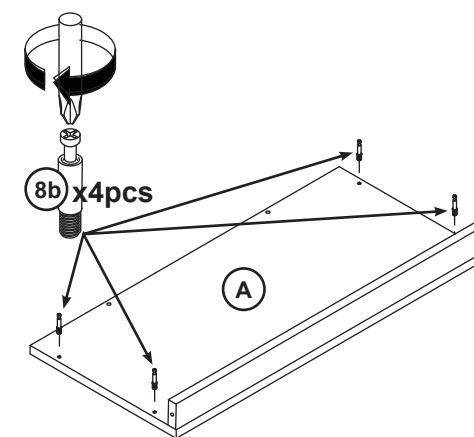
## STEP 1



## STEP 2



## STEP 3



## STEP 4

