

Hardware



A
8X

B
8X

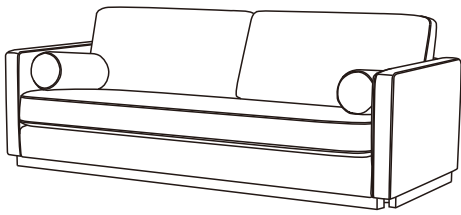
Tools Required

Power tools NOT recommended



1 X

Components



C



D

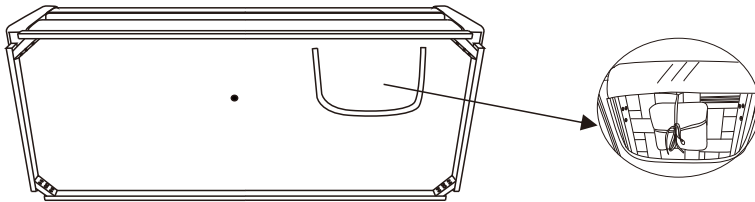


E

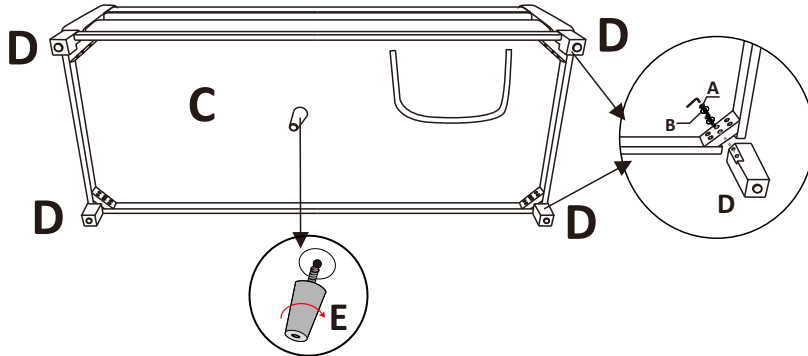
Assembly Step:

1

C



2



3

