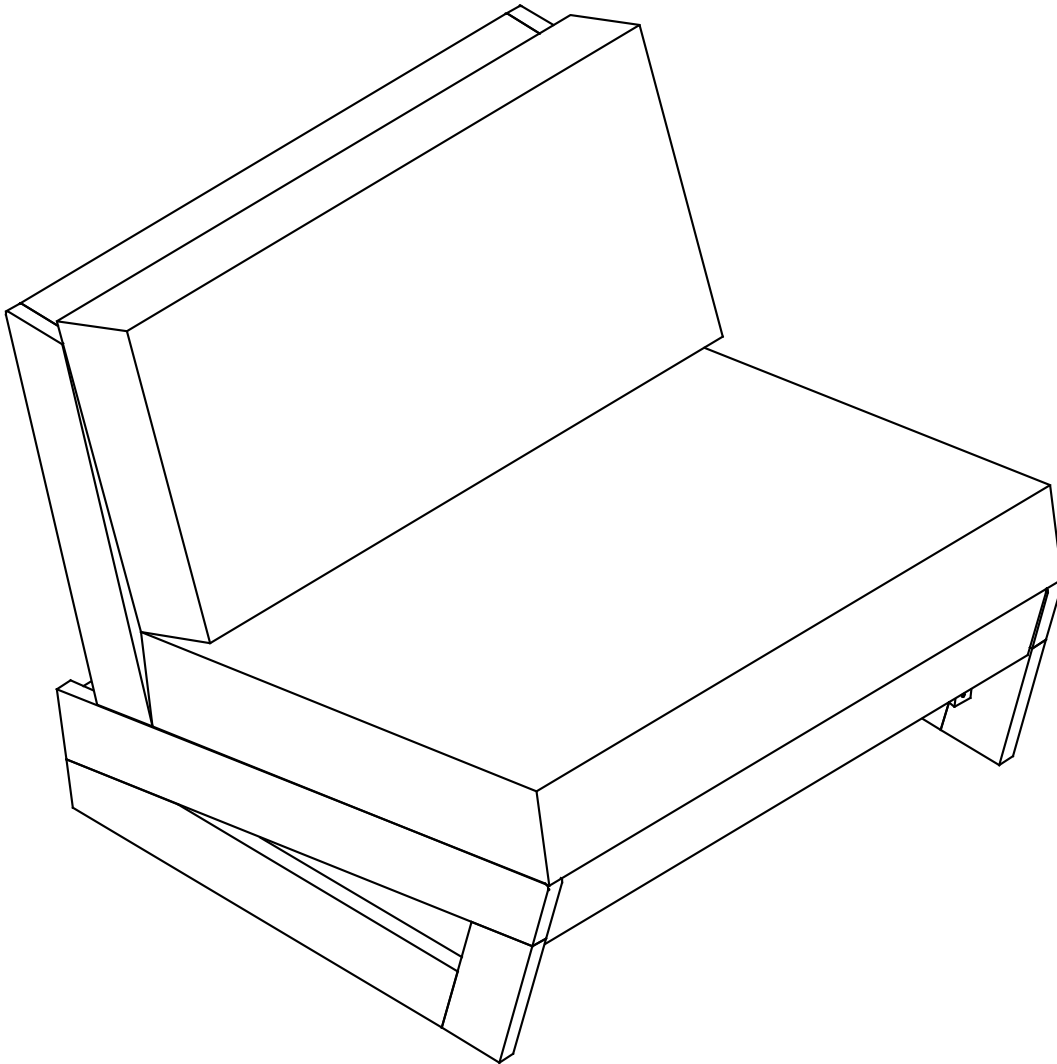


# Assembly Instructions

Caution: You must read this before you proceed

## Chair

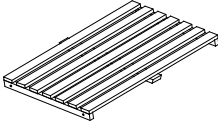
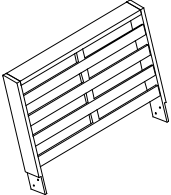
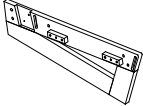
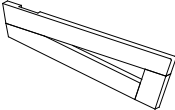
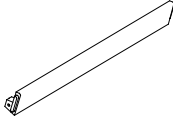
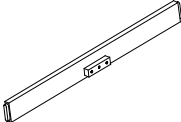
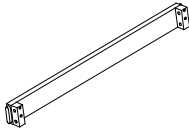
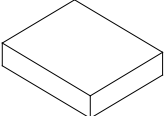
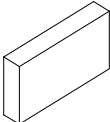


Caution: This Chair is NOT a TOY.

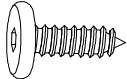



Keep your child/children at bay during the assembly process.

Whenever moving/lifting the Chair and to prevent damage to the Chair, two adults are required to execute these actions.

# Part List

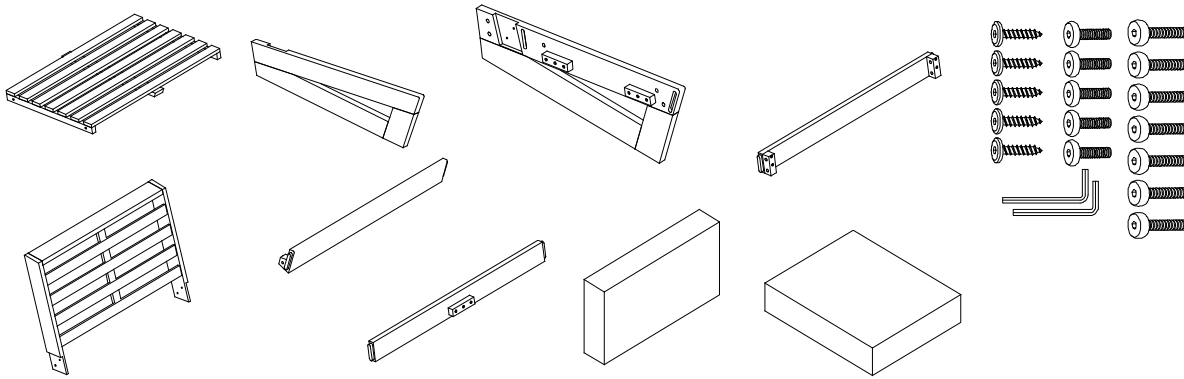
Label	Picture	Description	Qty
A		Seat Panel	1
B		Backrest Panel	1
C		Right Leg Panel	1
D		Left Leg Panel	1
E		First Support Bar	1
F		Second Support Bar	1
G		Third Support Bar	1
H		Seat Cushion	1
I		Back Cushion	1

# Hardware

No.	Picture	Description	Qty
①		Screw (M6x20mm)	5
②		Bolt (M8x35mm)	5
③		Bolt (M8x40mm)	7
④		Allen Key	2

# Assembly Preparation

Before Beginning Assembly:



Read instructions, cover to cover.



Have 2 adults on hand for assembly.



Do not assemble on flooring or carpet.



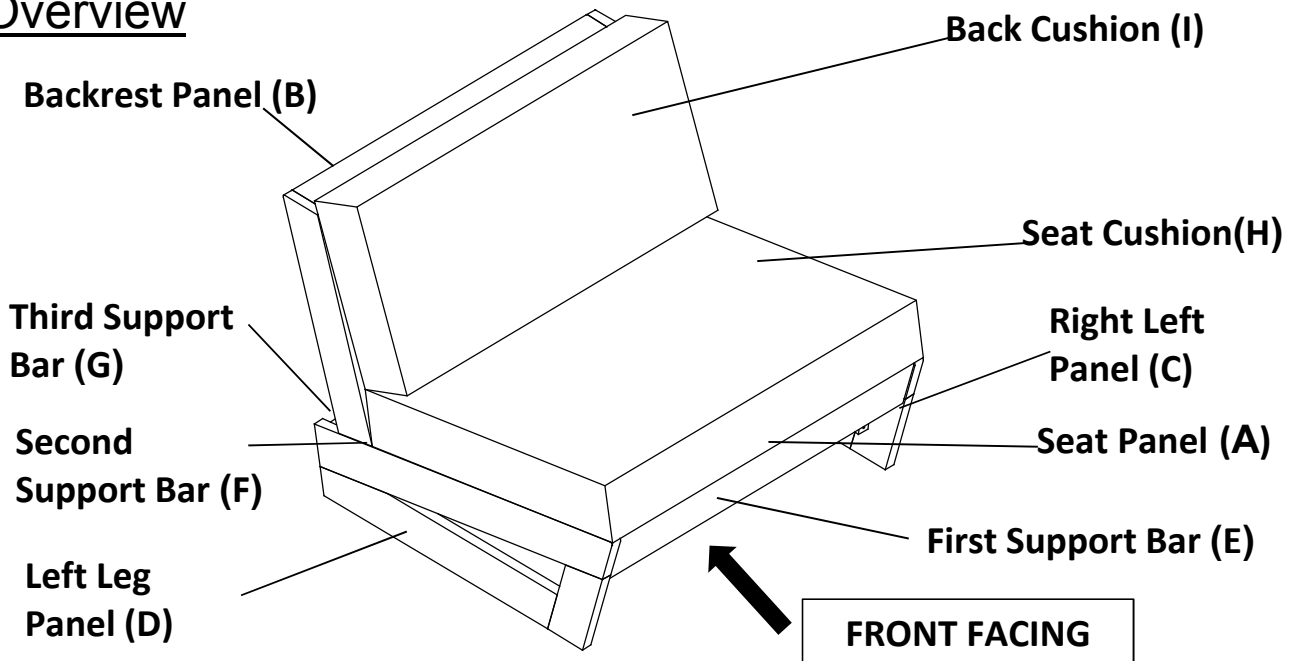
Assemble on a clean non-marring surface (packing foam).



Save all packaging until finished.

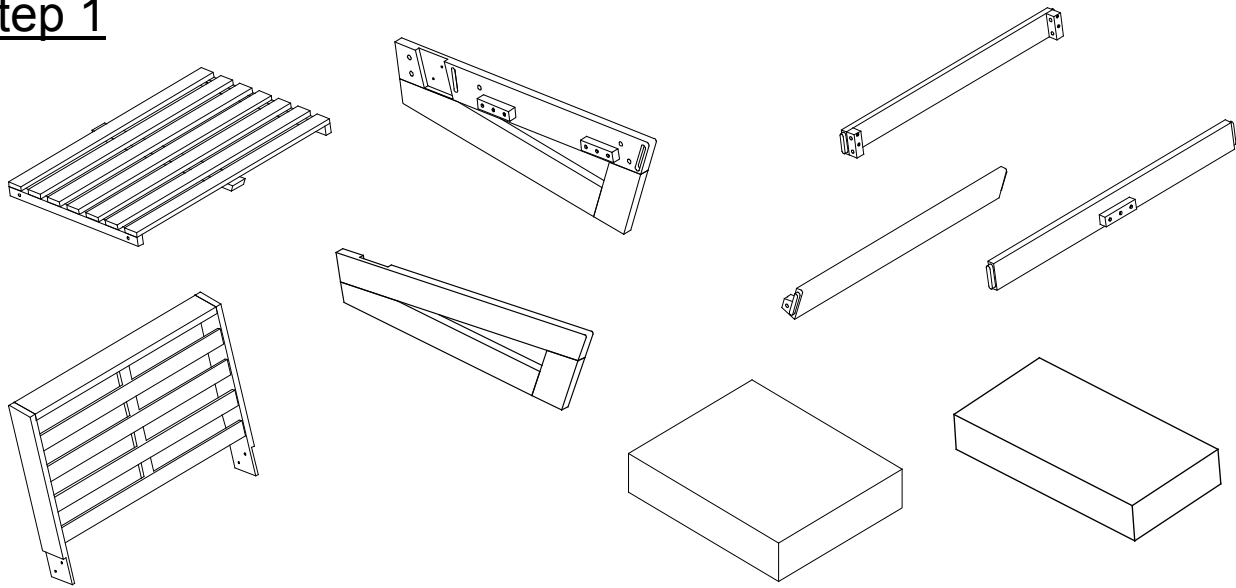
# Assembly Steps

## Overview



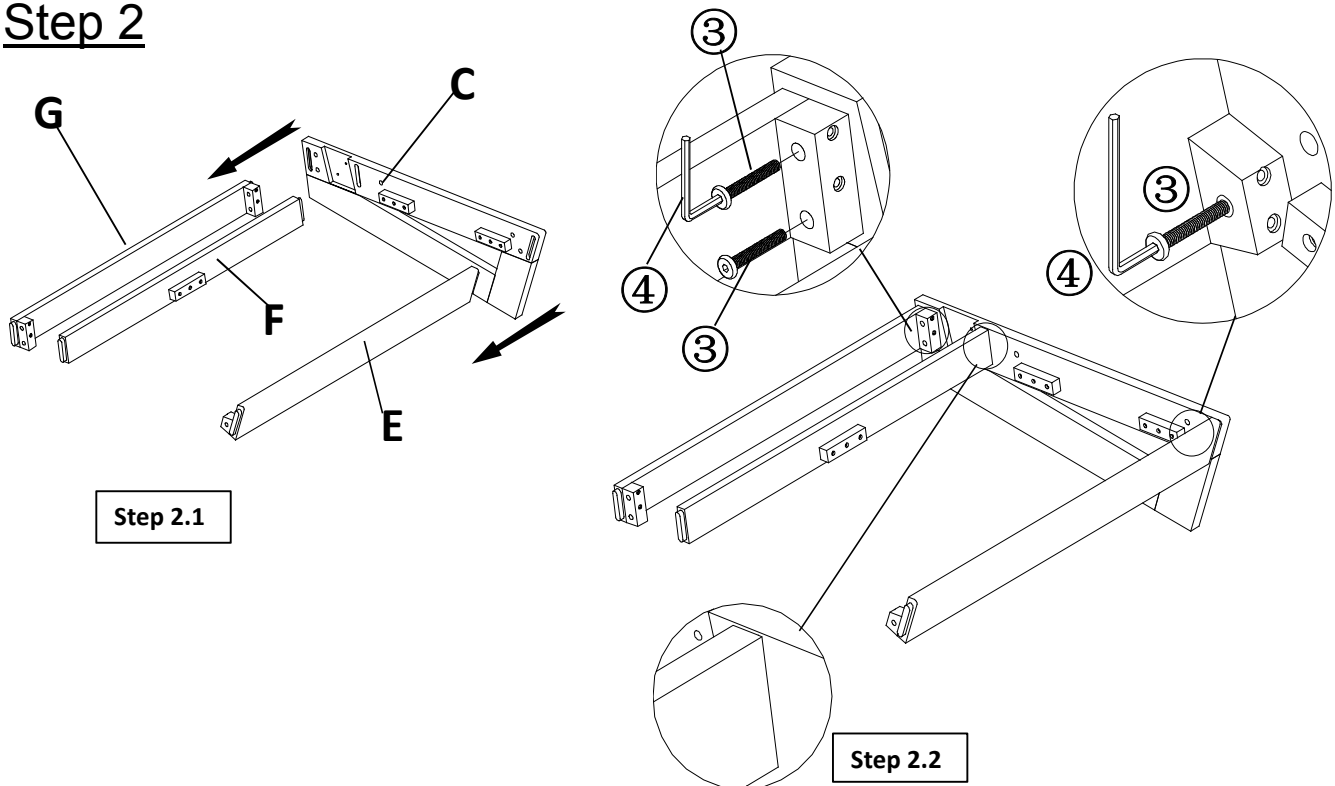
This Chair has multiple parts and may require up to 30 minutes to assemble. To give you an overview of the Chair parts, the above picture is to help you put the various parts into perspective. Please read through the instructions below to familiarise yourself with the parts and steps before assembly.

## Step 1



Unpack and place all parts on a clean, non-marring surface.

## Step 2



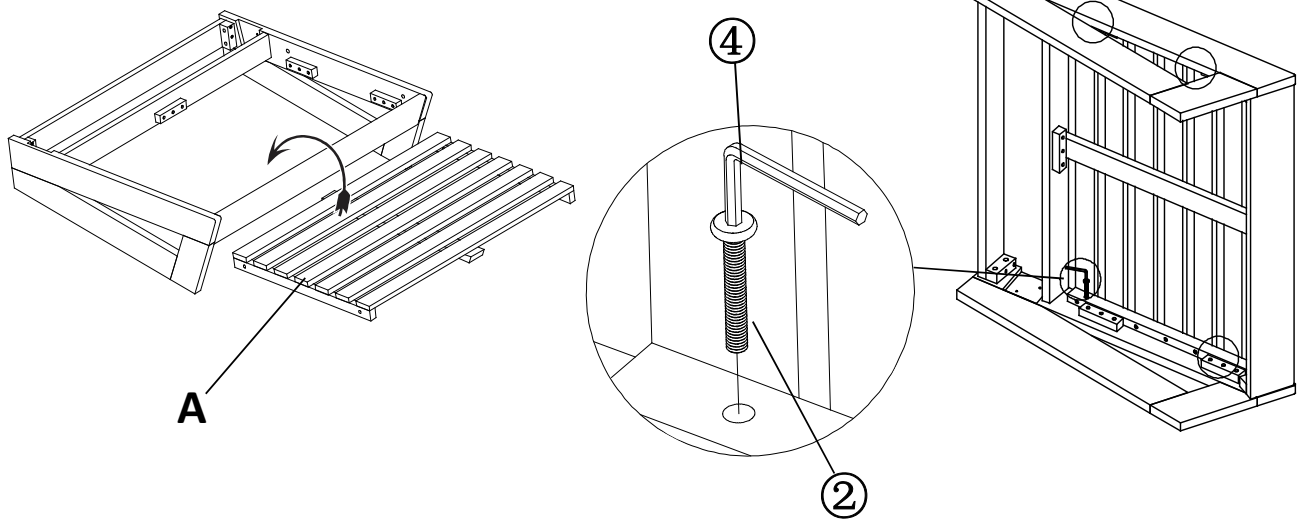
2.1 Insert tenons of First Support Bar (E), Second Support Bar (F) and Third Support Bar (G) into the mortises of Right Leg Panel (C) as shown above.

2.2 Secure First Support Bar (E) and Third Support Bar (G) to Right Leg Panel (C) by using Bolt(3) with Allen Key(4) as shown in picture above.

Repeat the same process with Left Leg Panel (D)

**Do not fully tighten the Bolts.**

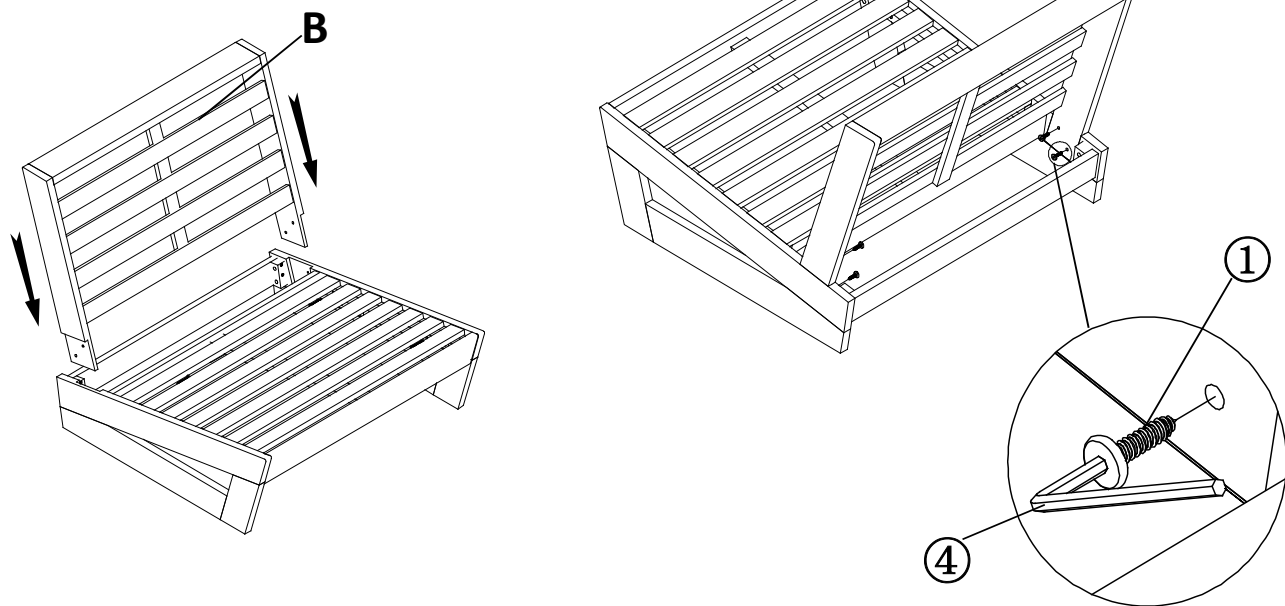
### Step 3



Insert Seat Panel (A) into assembled on step 2 using Bolts (2) with Allen key (4) as shown in picture above.

**Do not fully tighten the Bolts**

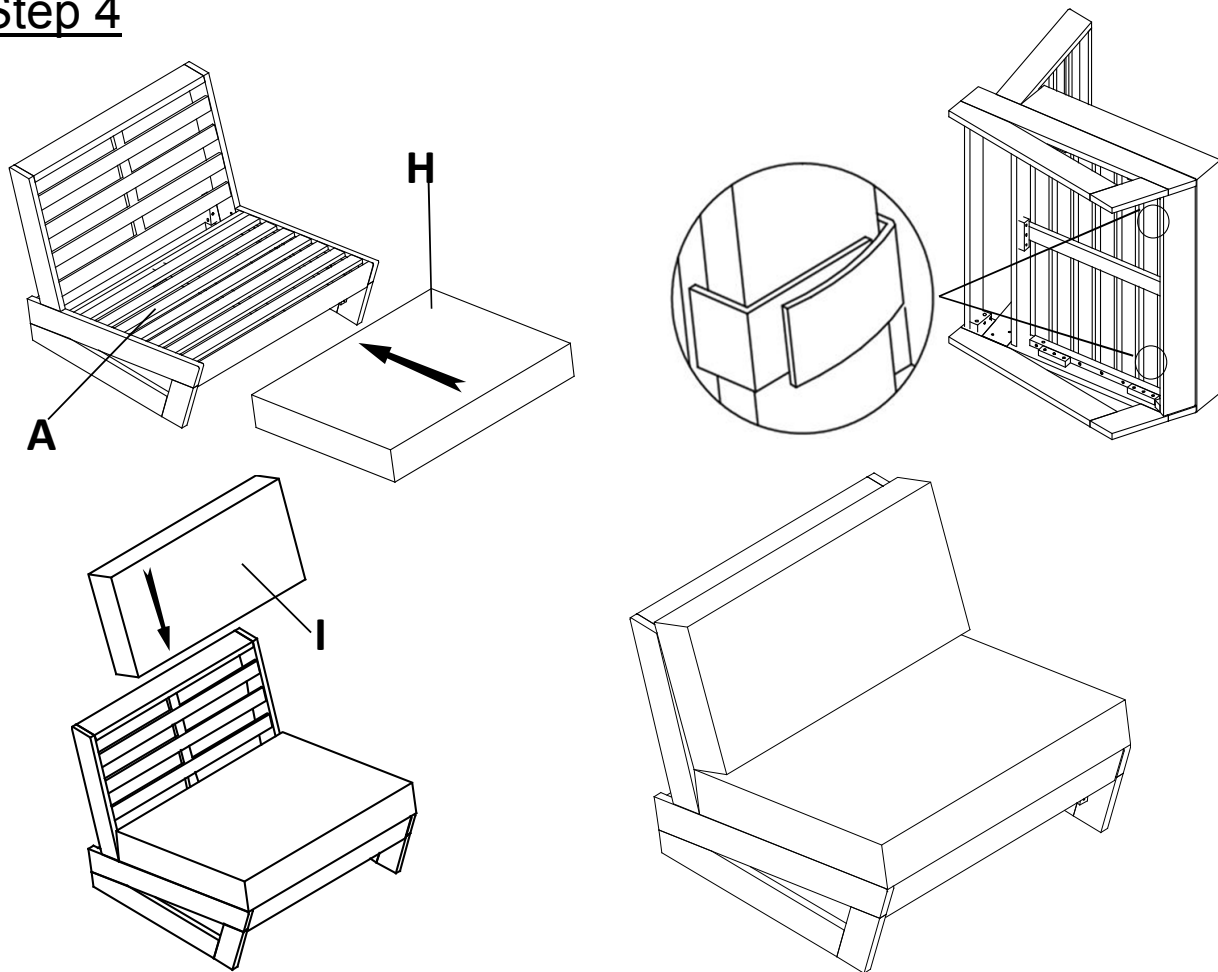
### Step 4



Insert Backrest Panel (B) to assemble of step 3 using Screws (1) with Allen Key(4) as shown in picture above.



















**Do not fully tighten the Bolts and Screws.**

## Step 4



Place Seat Cushion(H) and Back Cushion(I) onto the Chair, turn the Chair down and tie the velcro straps of the Cushion (H) to the Seat Panel (A) as shown above. Then EXERT pressure, floorwards onto the Chair with both hands. This pressure will help the Bench I reach full alignment at all joints. In a sequential manner, gradually tighten all screws at all joints until evenly secured. Inspect the Chair and make sure all parts are adequately connected. Your Chair is ready for use. This Chair can only be used on a flat, level surface.

## Care & Maintenance

-   ● Do not put hot items directly on furniture surface
  -   ● Do not clean furniture with harsh cleansers or polish.
  -   ● To obtain the longest lifespan of your outdoor products, minimizing exposure to direct sunlight is recommended.
  -   ● Children should not climb or jump on the furniture.
  -   ● Do not write on furniture without a padded barrier to protect the surface.
  -   ● To obtain the longest lifespan of your outdoor products, avoid extended and lengthy exposure to rain, snow, and direct sunshine. Whenever possible cover the product and /or place under patio or awnings.
  -   ● Not for commercial use. For residential use only .
  -   ● Stains may be removed with mild soap solution and damp cloth.
- 
-   ● Dust and pick-up spills using a clean, non-colored, lint-free cloth .