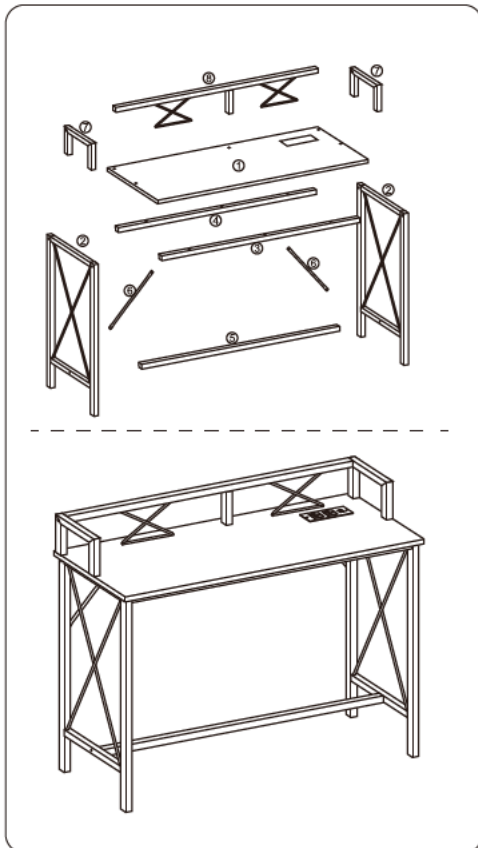


# Assembly Instruction



Componets					
①		1	⑤		1
②		2	⑥		2
③		1	⑦		2
④		1	⑧		1

Screws & Tools						
Ⓐ		M6X50	1	Ⓖ		1
Ⓑ		M6X35	8	Ⓕ		4
Ⓒ		M6X30	4	Ⓖ		4
Ⓓ		M6X25	5	Ⓖ		2
Ⓔ		M6X12	4	Ⓖ		2
Ⓕ		ST3.5X12	2			1

