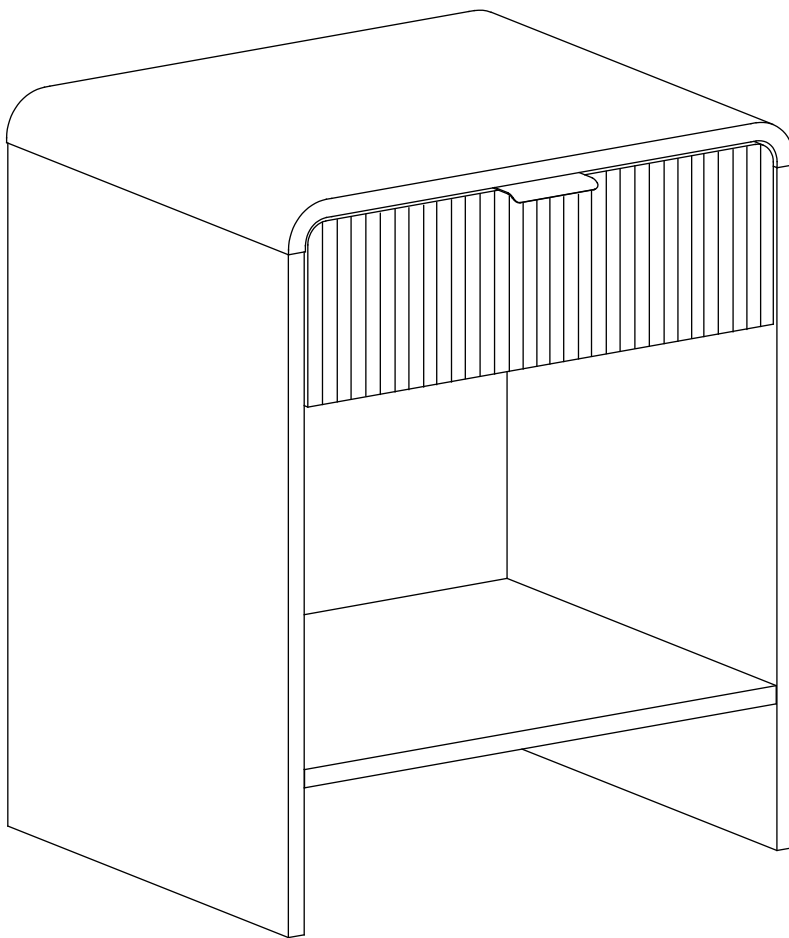
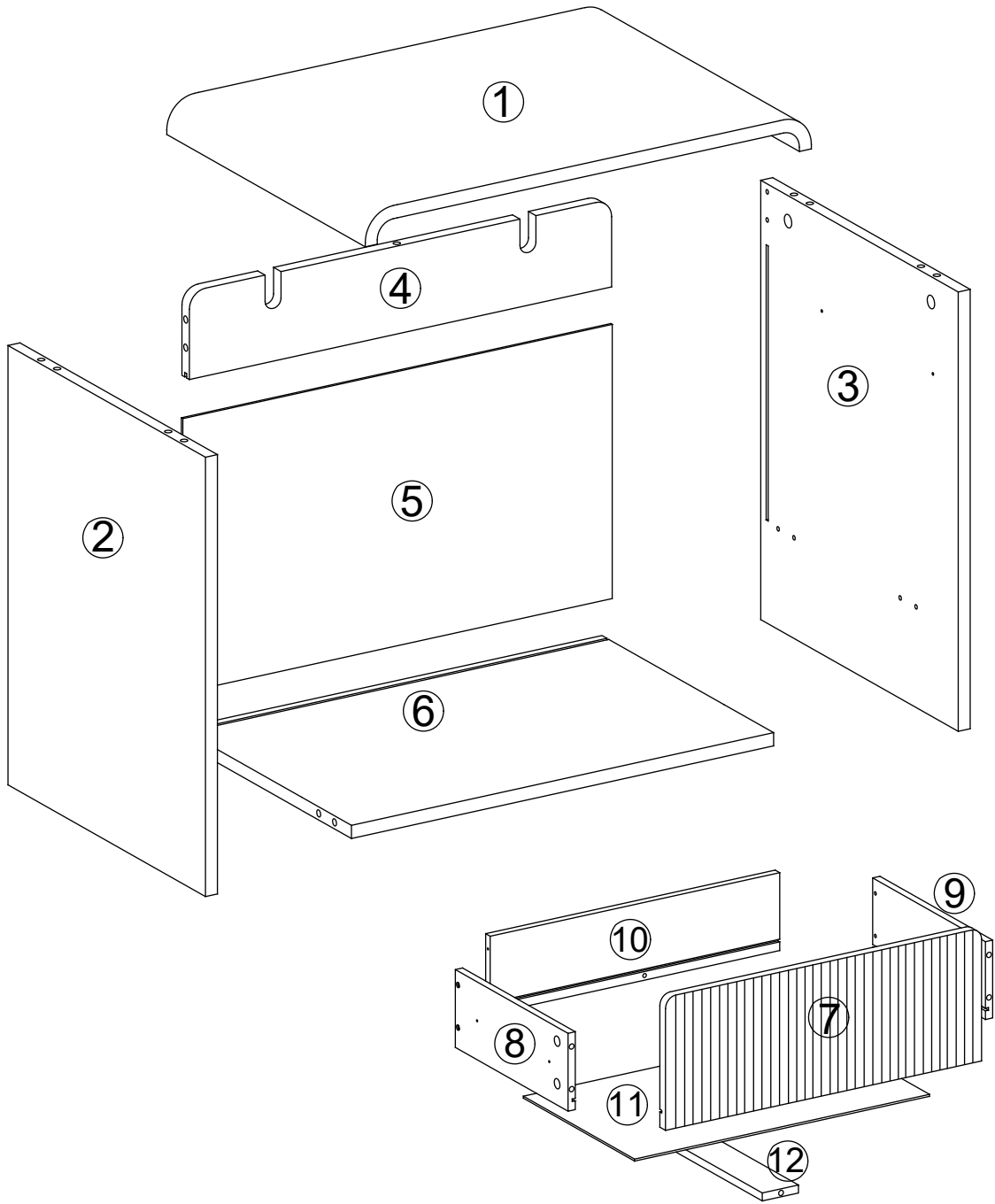


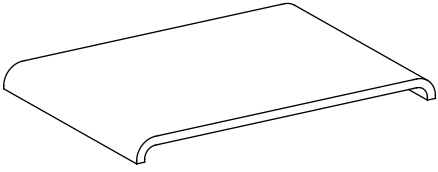
ASSEMBLY INSTRUCTION

If there are any questions during the assembly process, please contact us at cs@labcosi.com.
A video and description about the step you were stucked will help us to understand the problem quickly.

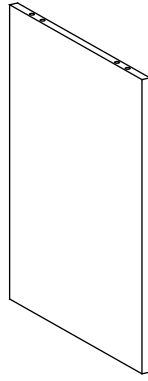




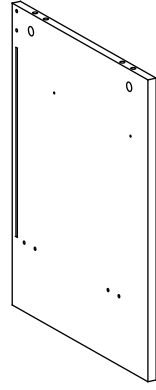
① x1



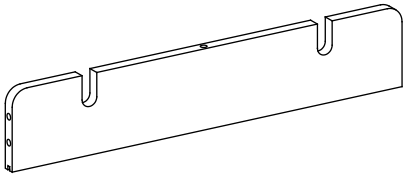
② x1



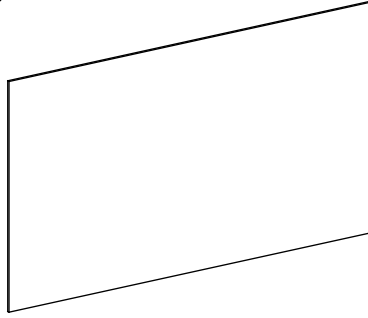
③ x1



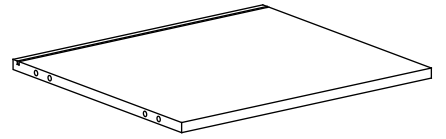
④ x1



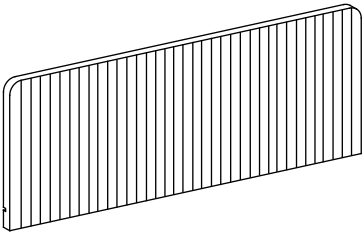
⑤ x1



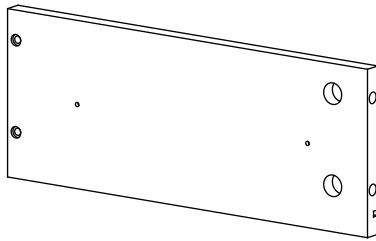
⑥ x1



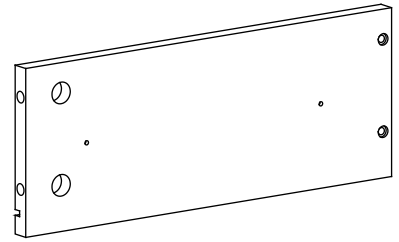
⑦ x1



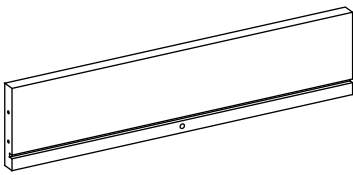
⑧ x1



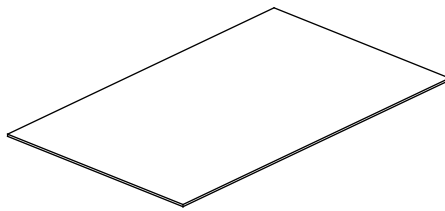
⑨ x1



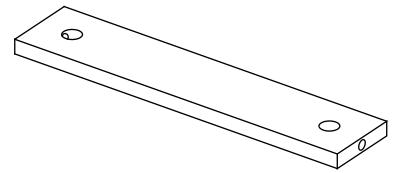
⑩ x1



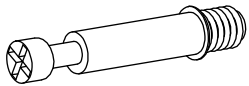
⑪ x1



⑫ x1



A



Ø6x35mm

X19+2 pcs

B



Ø15x9.5mm

X19+2 pcs

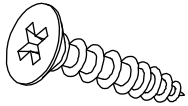
C



Ø8x30mm

x 8 pcs

D



Ø3.5x12 mm

x 10+2 pcs

E



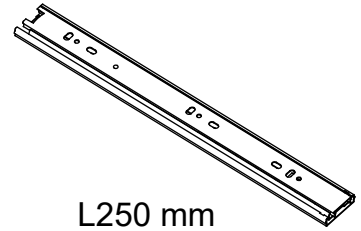
E-1



E-2

x 2 pc

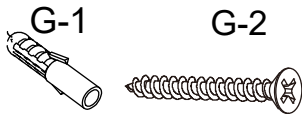
F



L250 mm

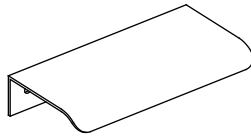
x 2 pcs

G



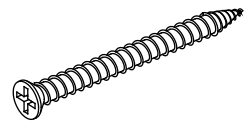
x 2 pcs

H



x 1 pc

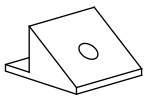
I



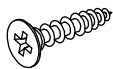
Ø3.5x35mm

x 4 pcs

J



J-1

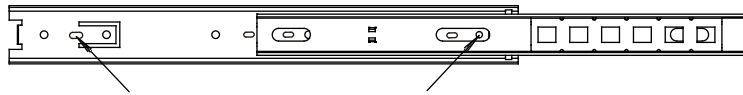
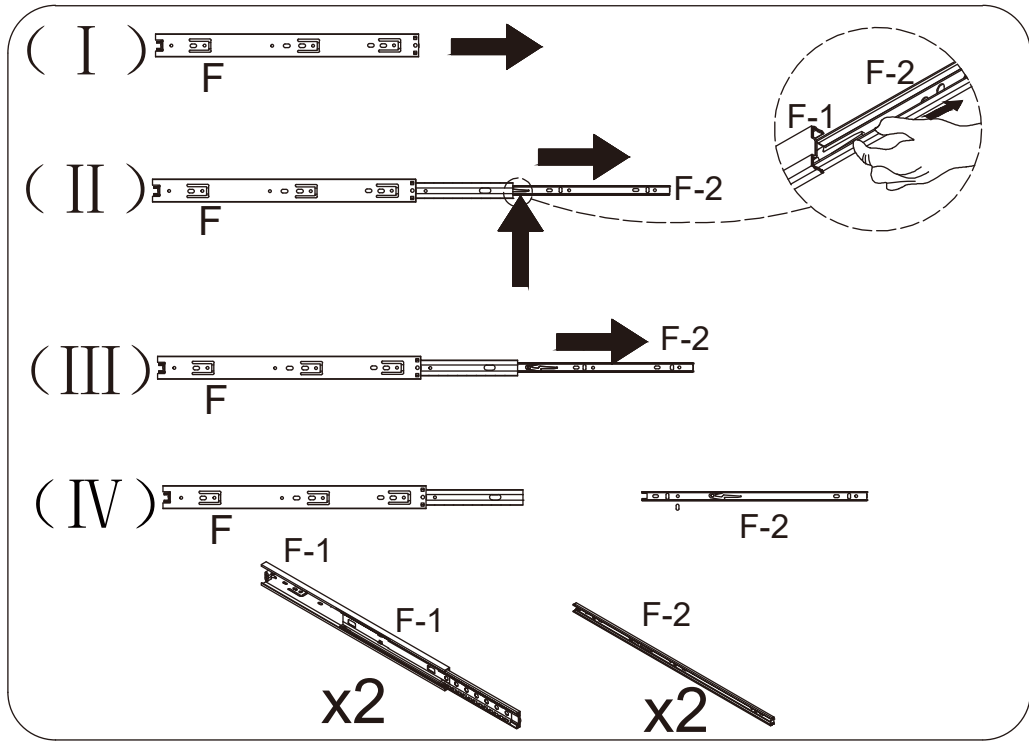
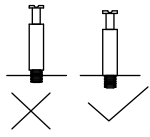


Ø3x16 mm

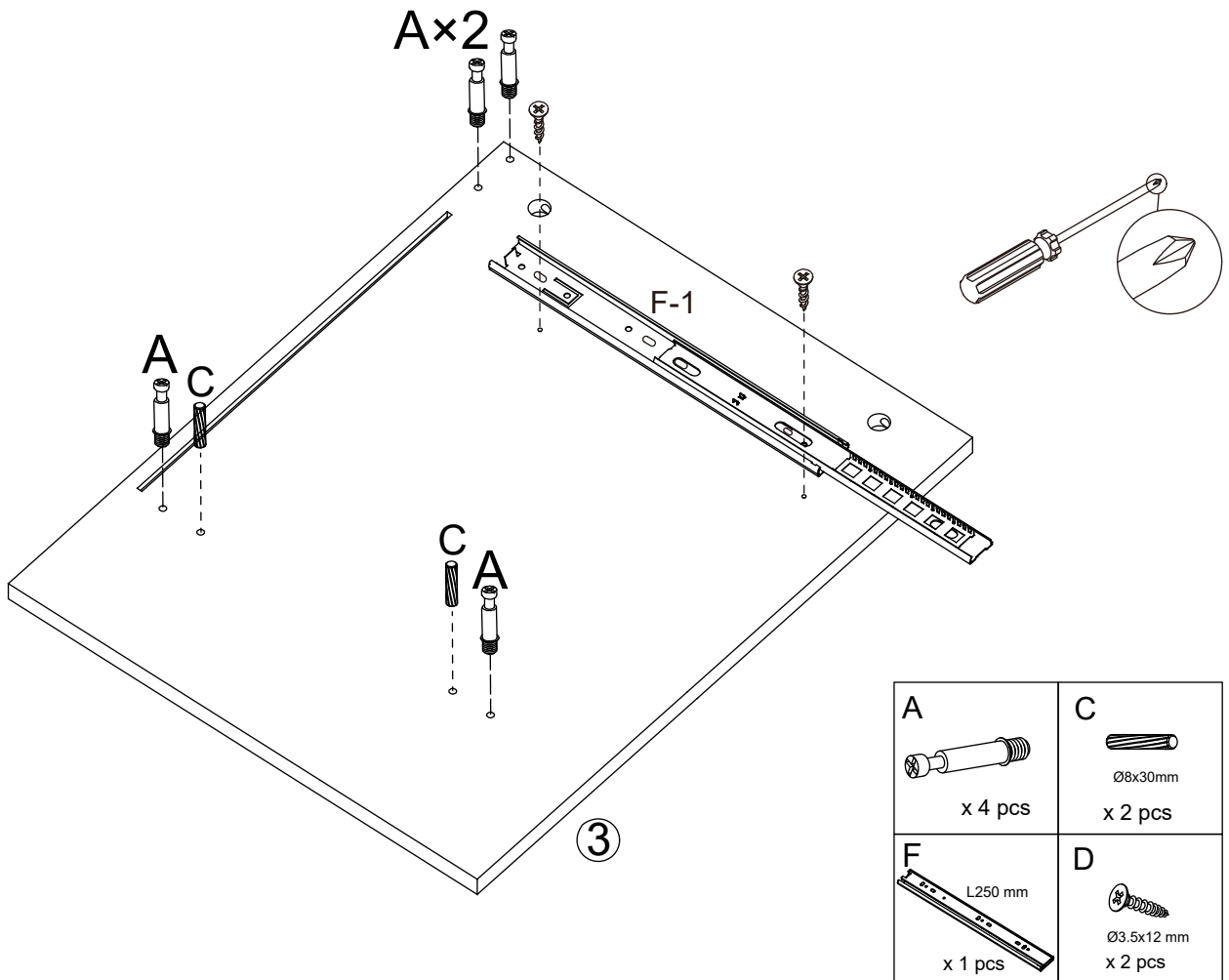
J-2

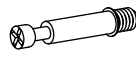

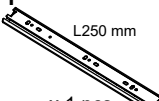

x 4 pcs

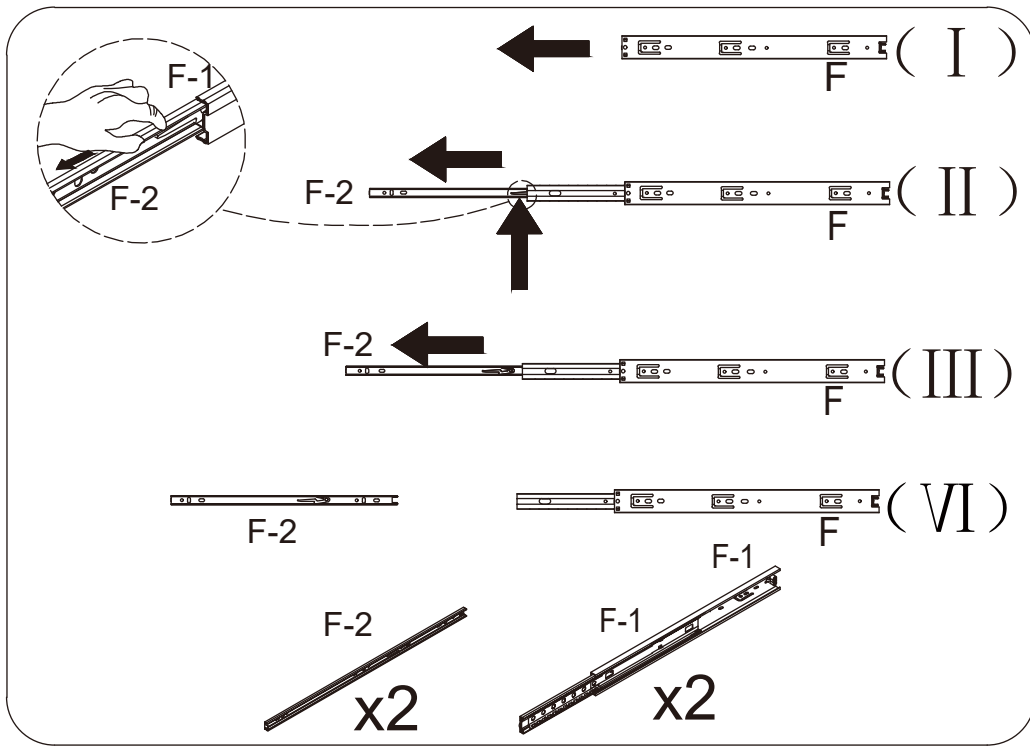
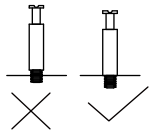
STEP 1



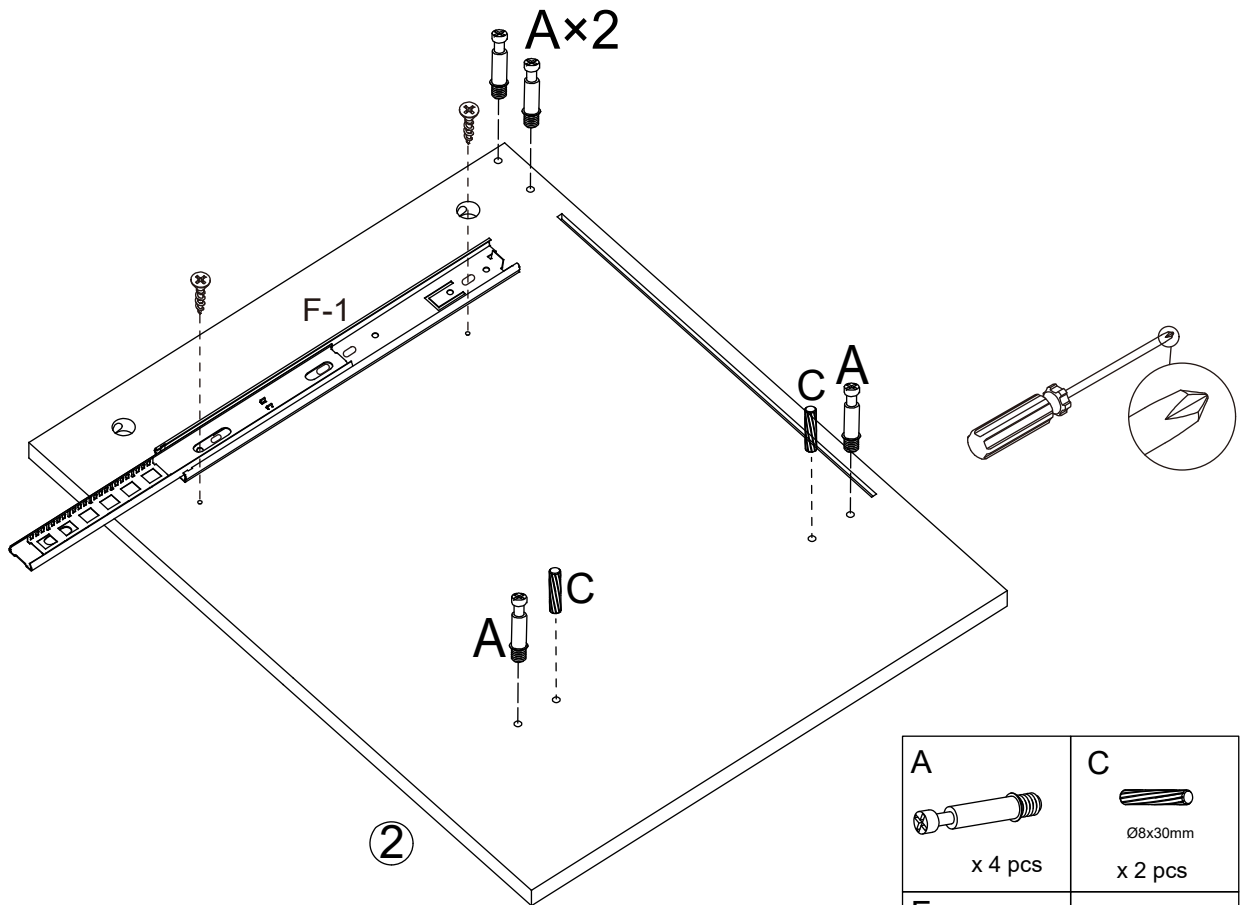
Please assembly screws in the holes marked with arrows



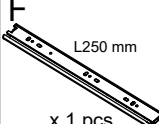



<p>A</p>  <p>x 4 pcs</p>	<p>C</p>  <p>Ø8x30mm x 2 pcs</p>
<p>F</p>  <p>L250 mm x 1 pcs</p>	<p>D</p>  <p>Ø3.5x12 mm x 2 pcs</p>

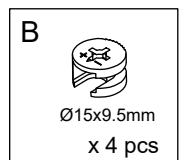
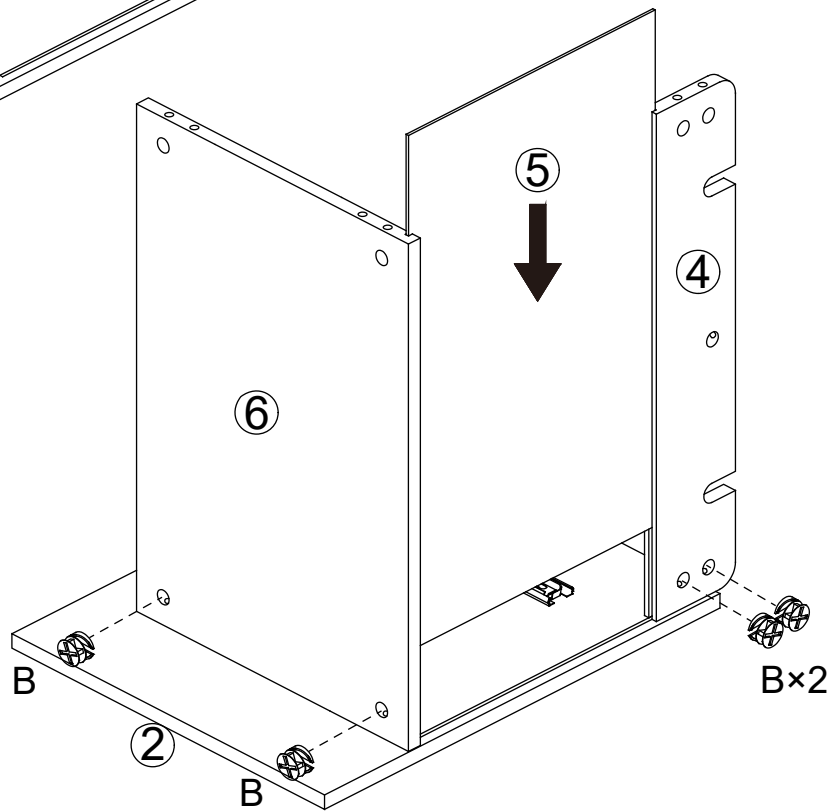
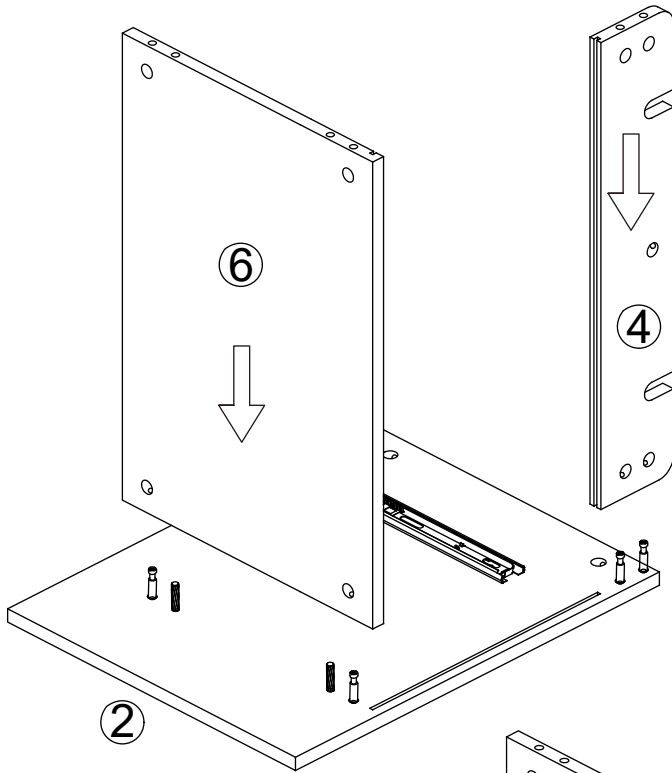
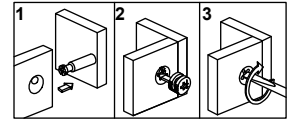


Please assembly screws in the holes marked with arrows

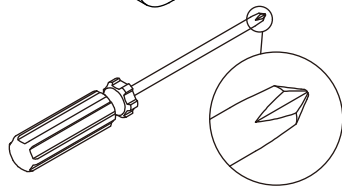
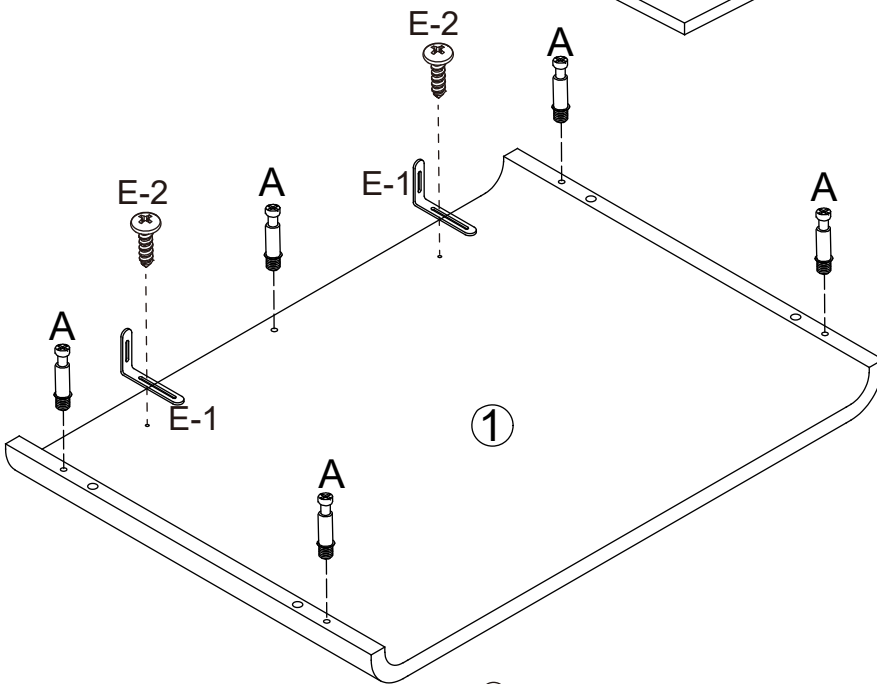
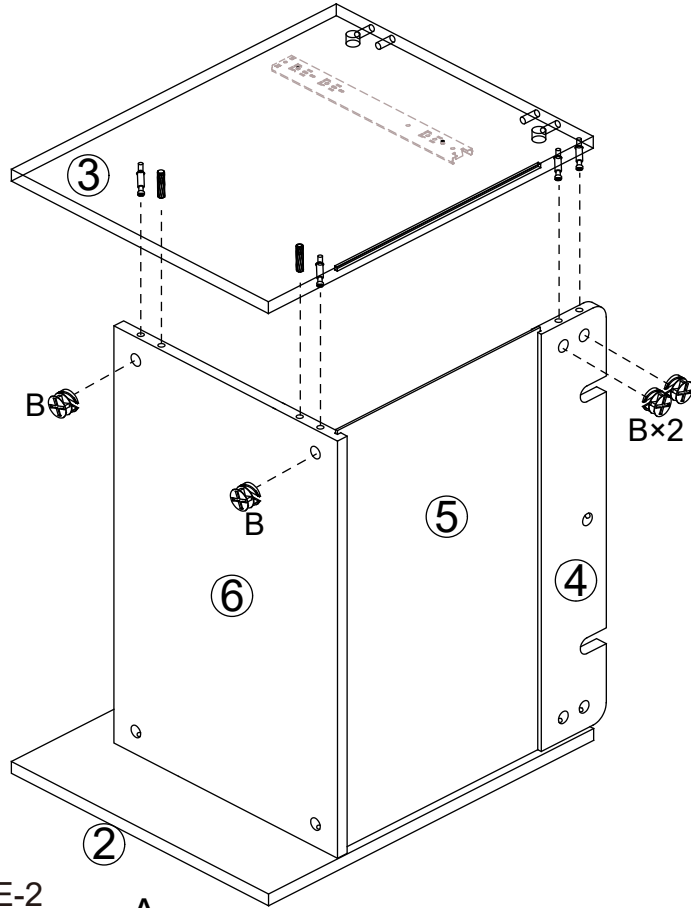
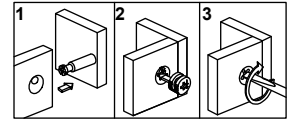
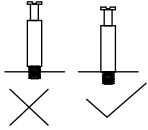


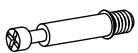


<p>A</p>  <p>x 4 pcs</p>	<p>C</p>  <p>Ø8x30mm x 2 pcs</p>
<p>F</p>  <p>L250 mm x 1 pcs</p>	<p>D</p>  <p>Ø3.5x12 mm x 2 pcs</p>

STEP 2

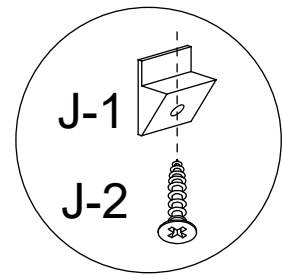
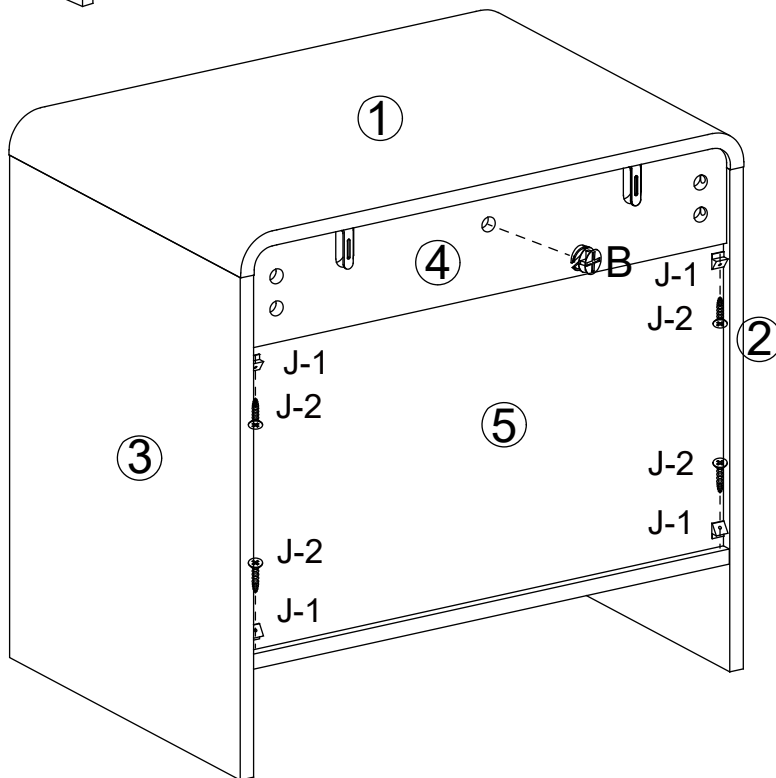
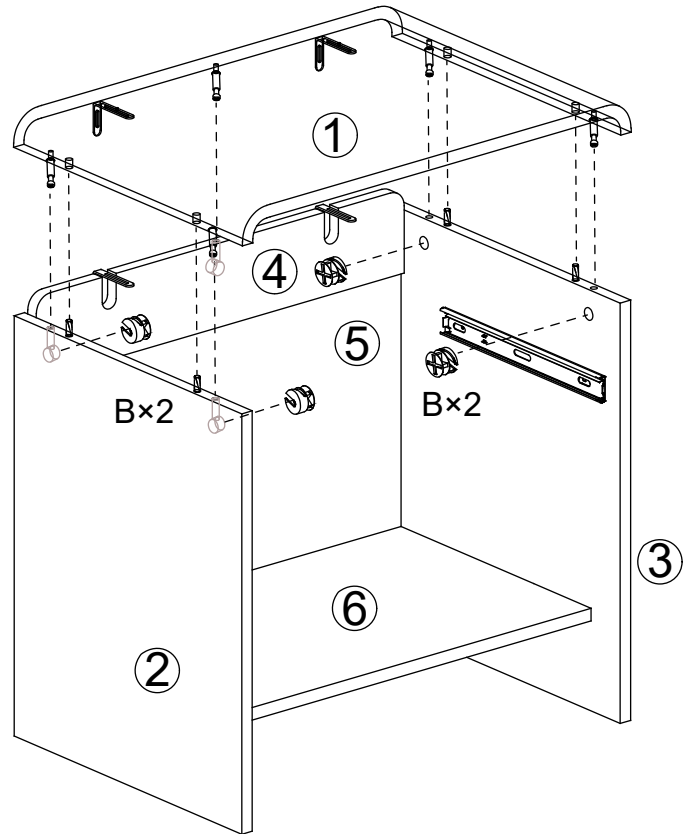
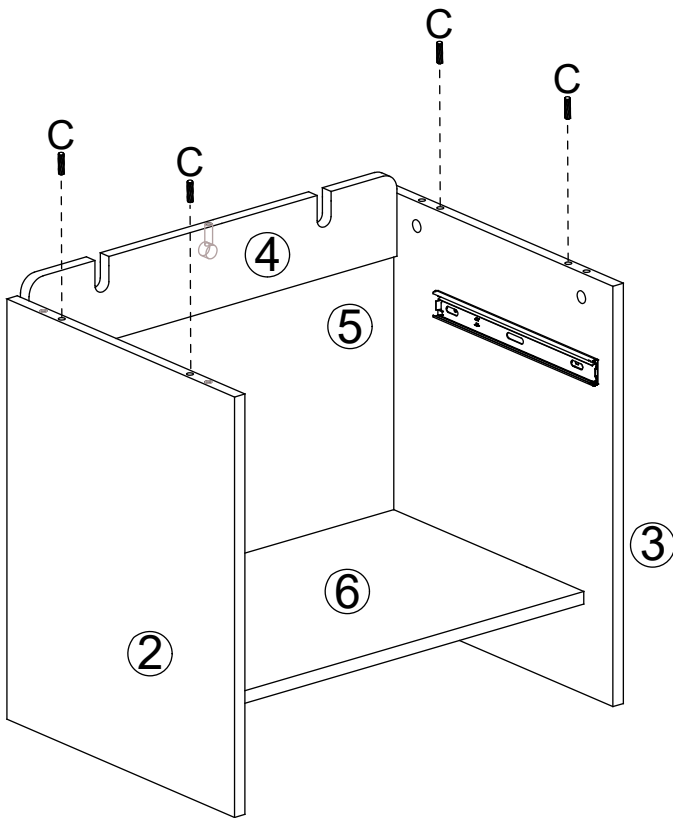
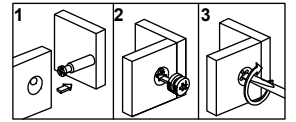




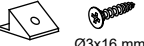
STEP 3



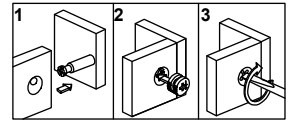
<p>A</p>  <p>x 5 pcs</p>	<p>E</p>  <p>x 2 pcs</p>	<p>B</p>  <p>Ø15x9.5mm x 4 pcs</p>
---	--	--

STEP 4

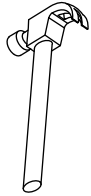
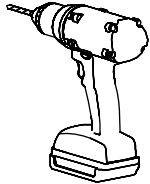
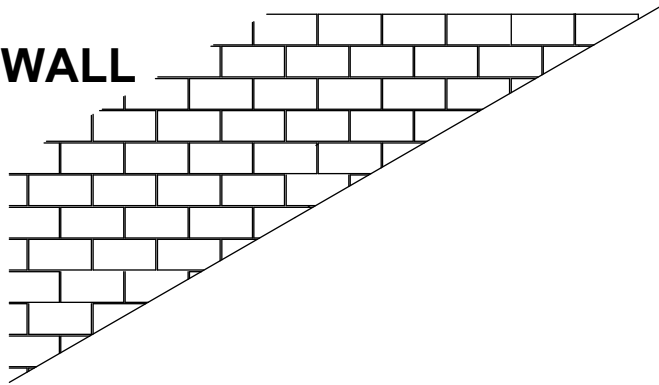


<p>C</p>  <p>Ø8x30mm x 4 pcs</p>	<p>B</p>  <p>Ø15x9.5mm x 5 pcs</p>	<p>J</p>  <p>J-1 J-2 Ø3x16 mm x 4 pcs</p>
--	--	---

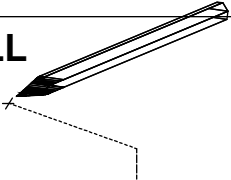
SETP 5



WALL

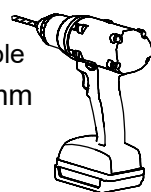


WALL



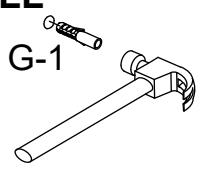
I x2

WALL +
drilling hole
Ø6x30mm

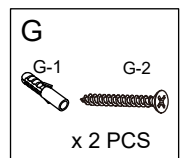
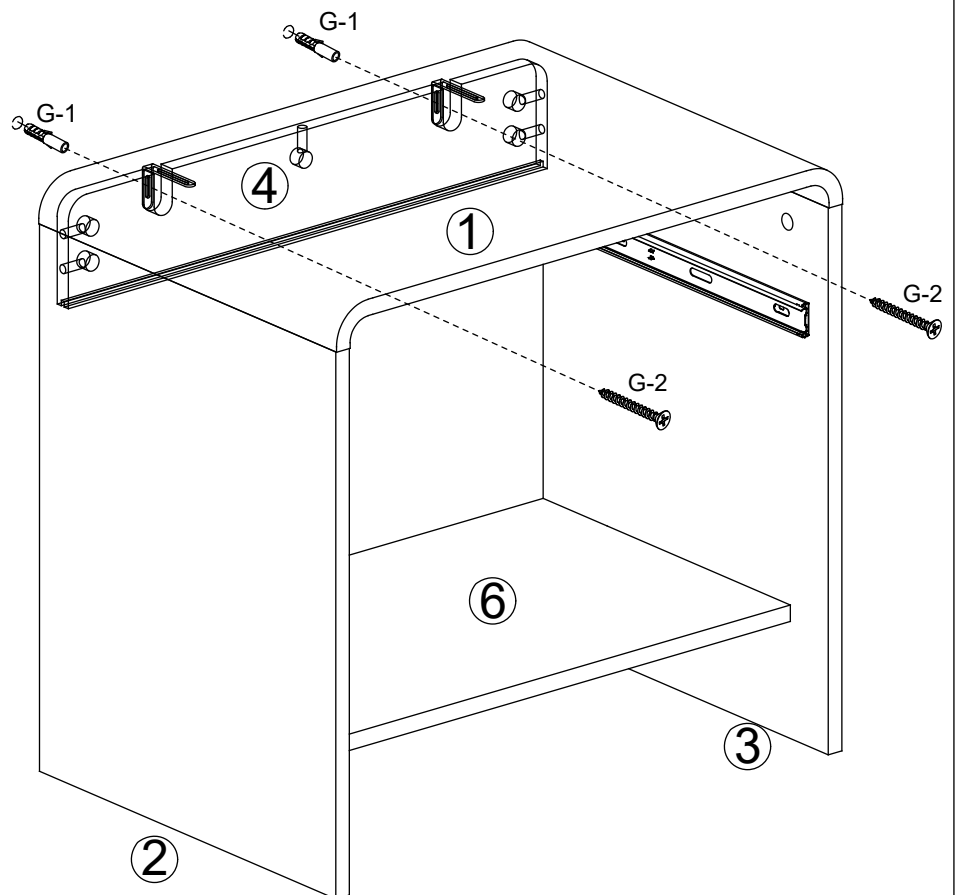


II x2

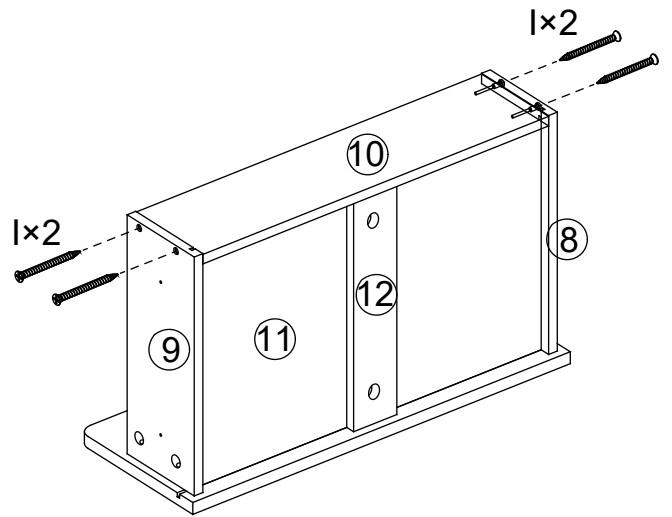
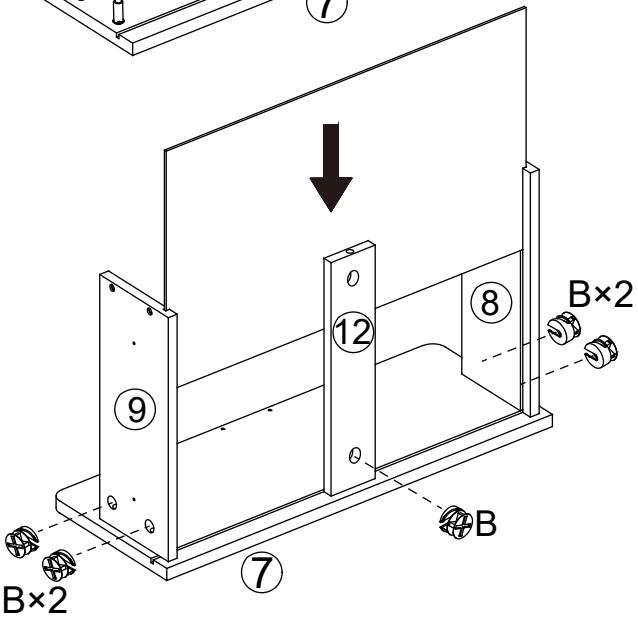
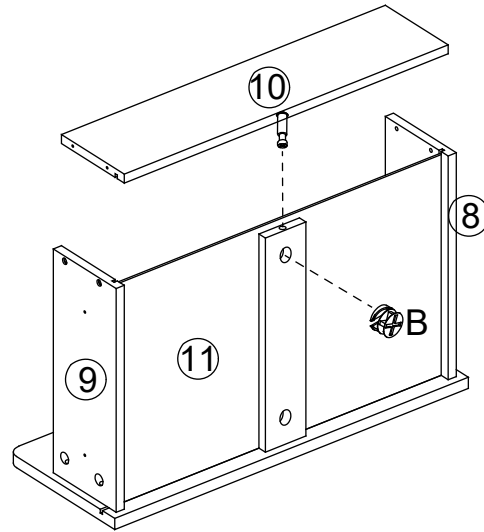
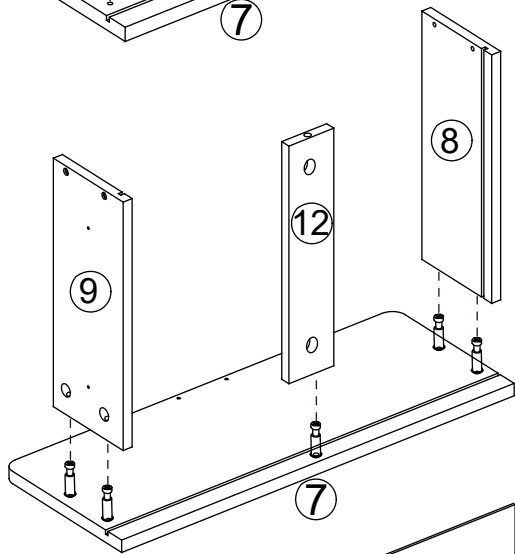
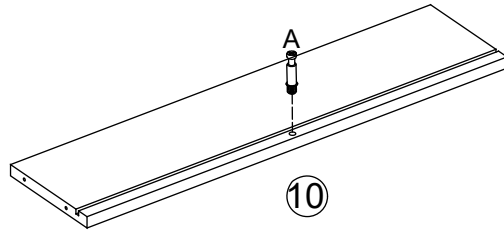
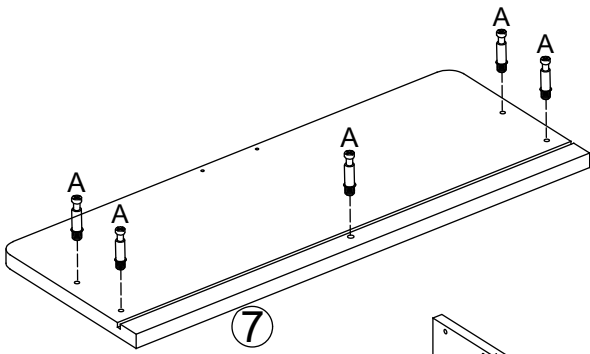
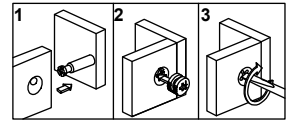
WALL

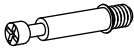




III x2

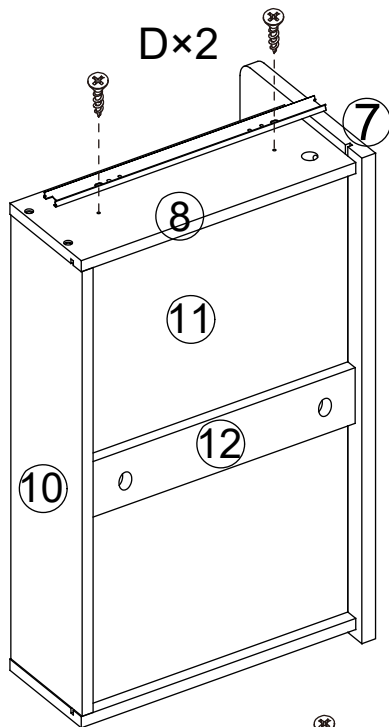
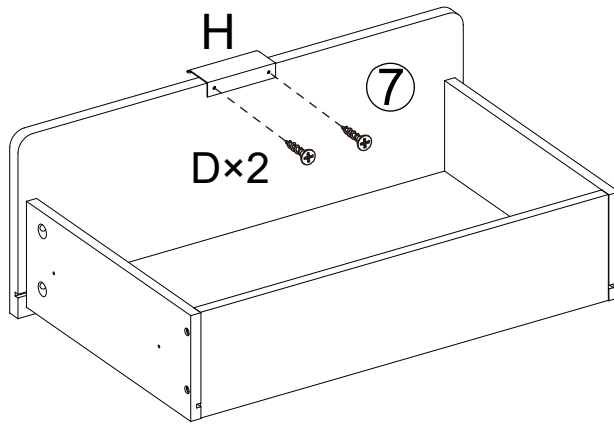
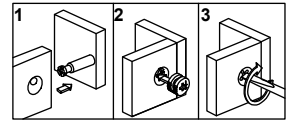


STEP 6

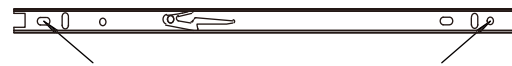


<p>A</p>  <p>x 6 pcs</p>	<p>B</p>  <p>Ø15x9.5mm x 6 pcs</p>	<p>I</p>  <p>Ø3.5x35mm x 4 pcs</p>
---	--	--

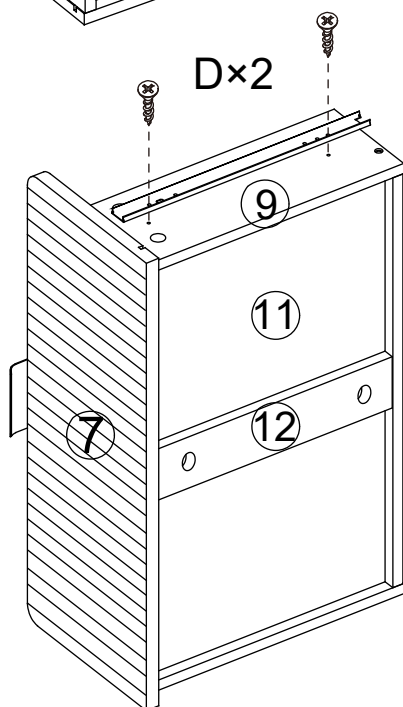
SETP 7



F-2



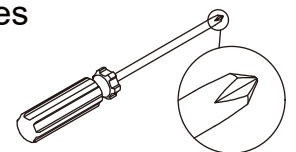
Please assembly screws in the holes marked with arrows




F-2



Please assembly screws in the holes marked with arrows



<p>H</p>  <p>x 1 pcs</p>	<p>D</p>  <p>Ø3.5x12 mm x 6 pcs</p>
---	--

STEP 8

