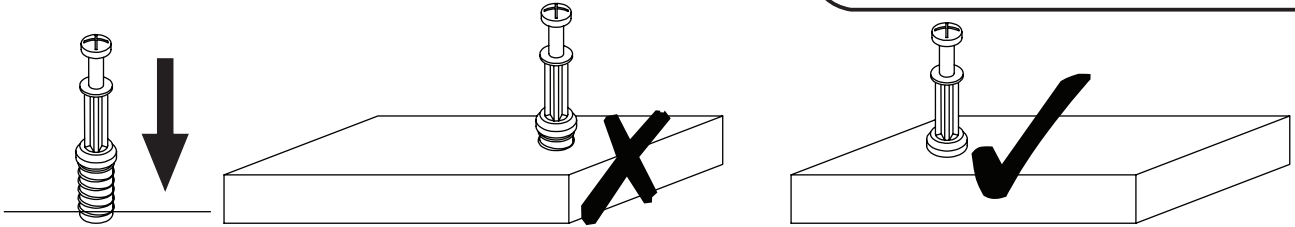
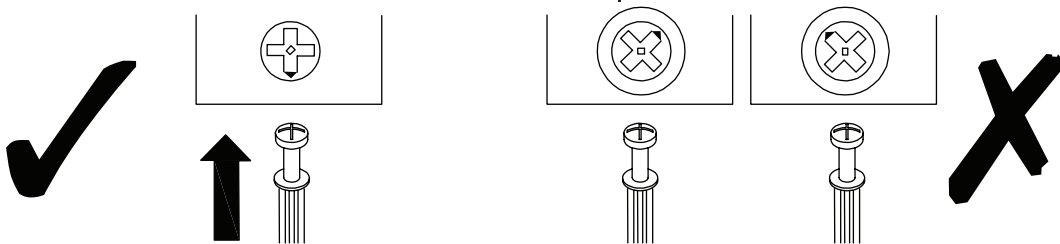


EN_IMPORTANT, RETAIN FOR FUTURE REFERENCE: READ CAREFULLY.

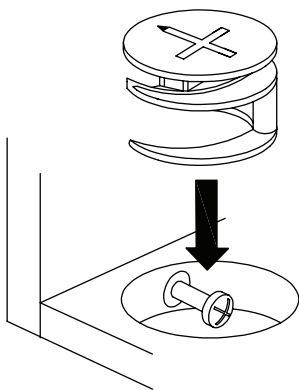
USING CAM LOCK AND QUICKFIT



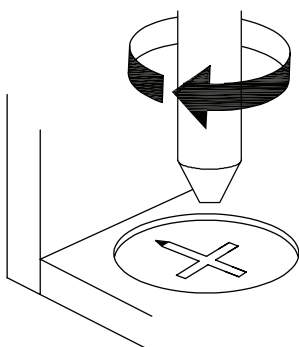
EN_QUICKFIT: Tighten quickfit until shoulder is flush with panel. Do not overtighten or undertighten.



EN_CAM LOCK: When fitting cam lock, ensure starting position is correct before you insert connecting quickfit.

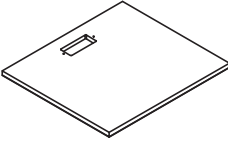
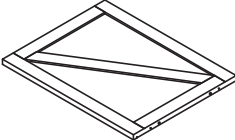
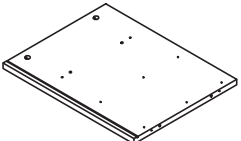
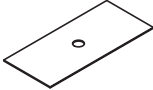
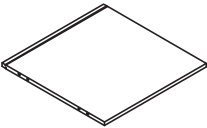
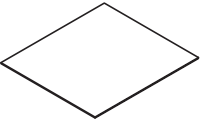
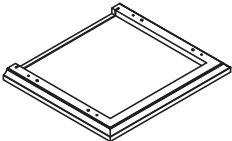
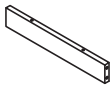
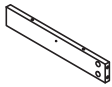
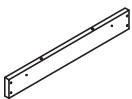


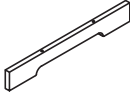
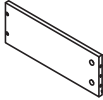
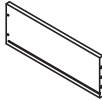
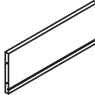
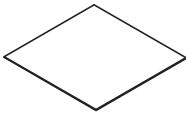
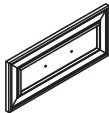

EN_Quickfit head should be in the centre of the cam lock when the two panels are joined.
Cam lock should be inserted before quickfit.

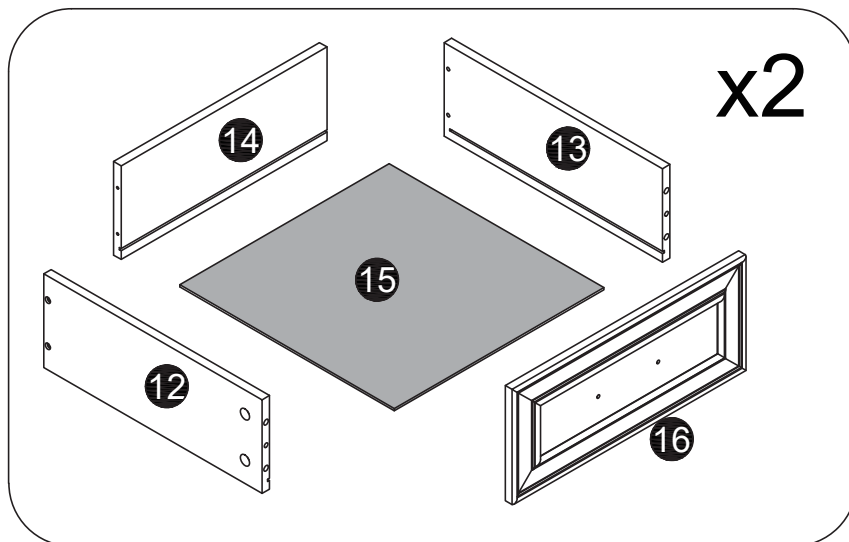
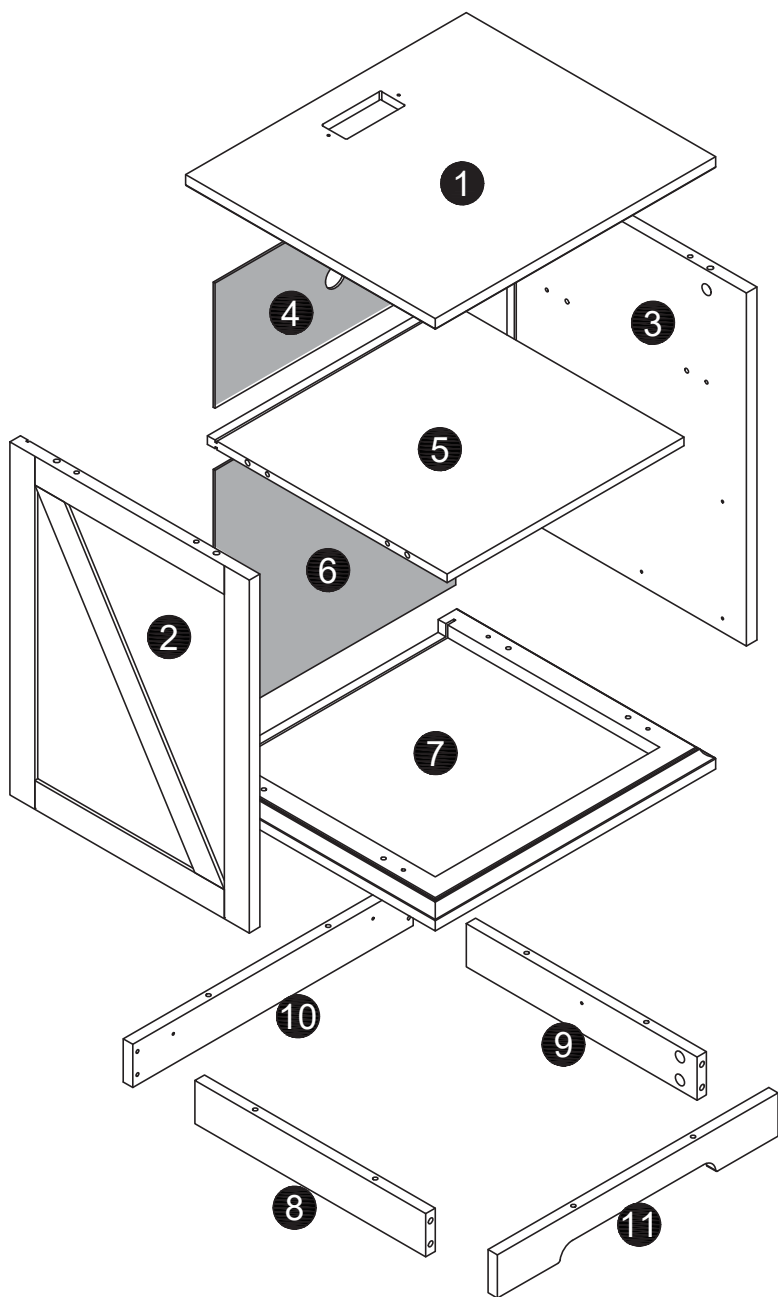


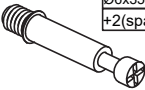

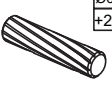
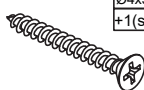
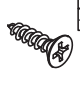
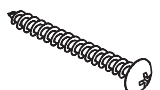

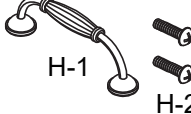
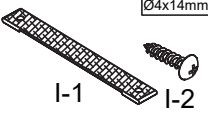
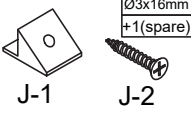
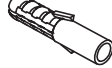



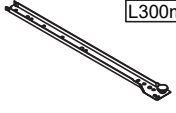
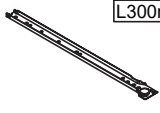
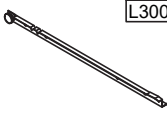
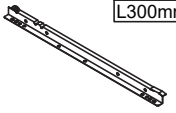
EN_Turn cam lock clockwise to tighten.

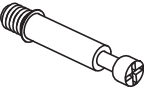

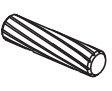
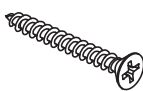
PACKING DELALS

NO.	PARTS	QTY	SPARE
①		x1	
②		x1	
③		x1	
④		x1	
⑤		x1	
⑥		x1	
⑦		x1	
⑧		x1	
⑨		x1	
⑩		x1	

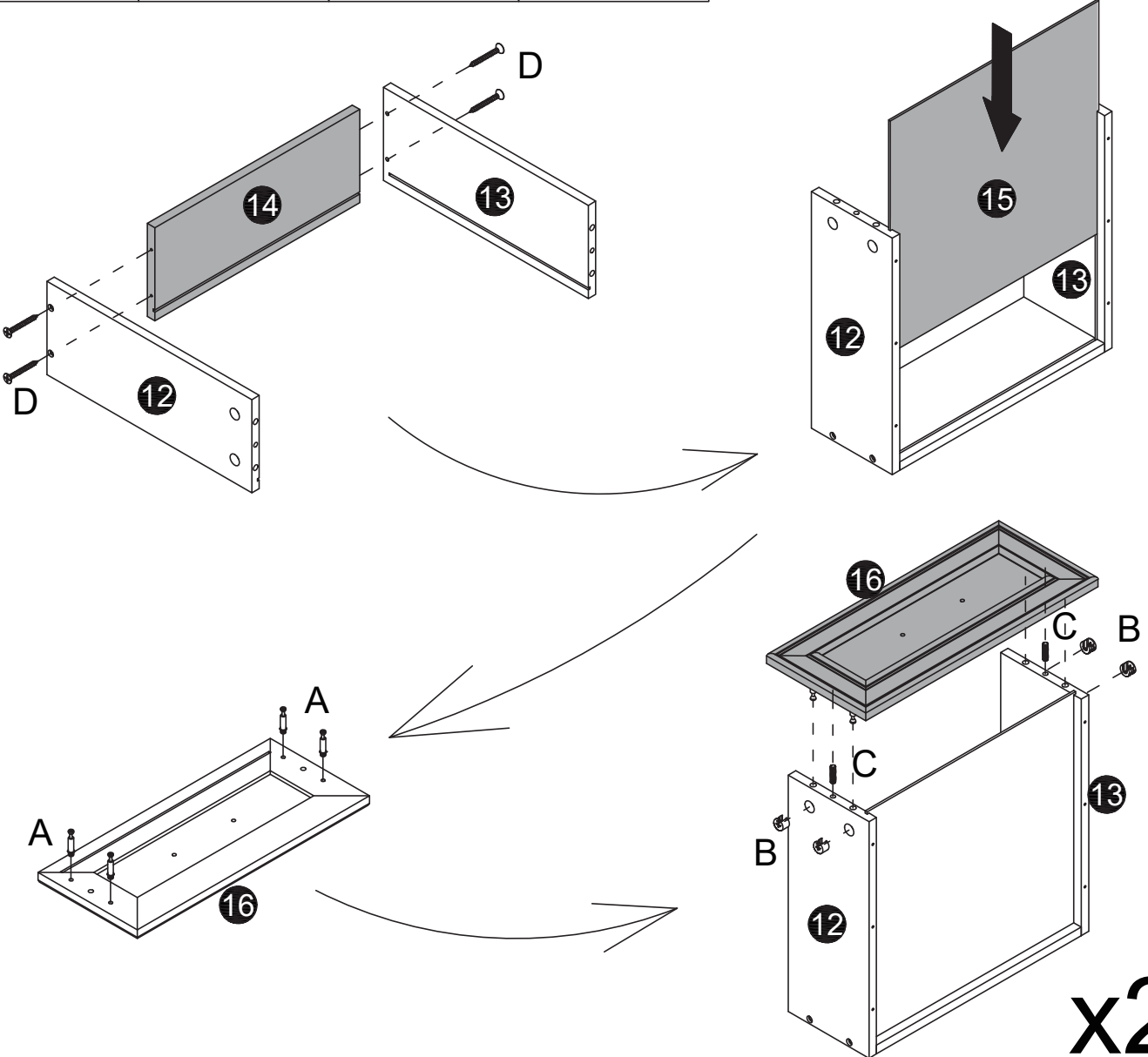
NO.	PARTS	QTY	SPARE
⑪		x1	
⑫		x2	
⑬		x2	
⑭		x2	
⑮		x2	
⑯		x2	
	 Hardware Kit	x1	



 A x20 Ø6x35mm +2(spare)	 B x20 Ø15x10mm +2(spare)	 C x24 Ø6x30mm +2(spare)	 D x14 Ø4x35mm +1(spare)	 E x36 +3(spare)	 F x4
 G x6	 H x2 H-1 H-2	 I x2 Ø4x14mm I-1 I-2	 J x8 Ø3x16mm +1(spare) J-1 J-2	 K x2 Ø6x30mm	 L x1
 M x2 Ø3.5x12mm	 N x4	 CL x2 L300mm	 CR x2 L300mm	 DL x2 L300mm	 DR x2 L300mm

 A x8	 B x8	 C x4	 D x8
--	--	--	--

01

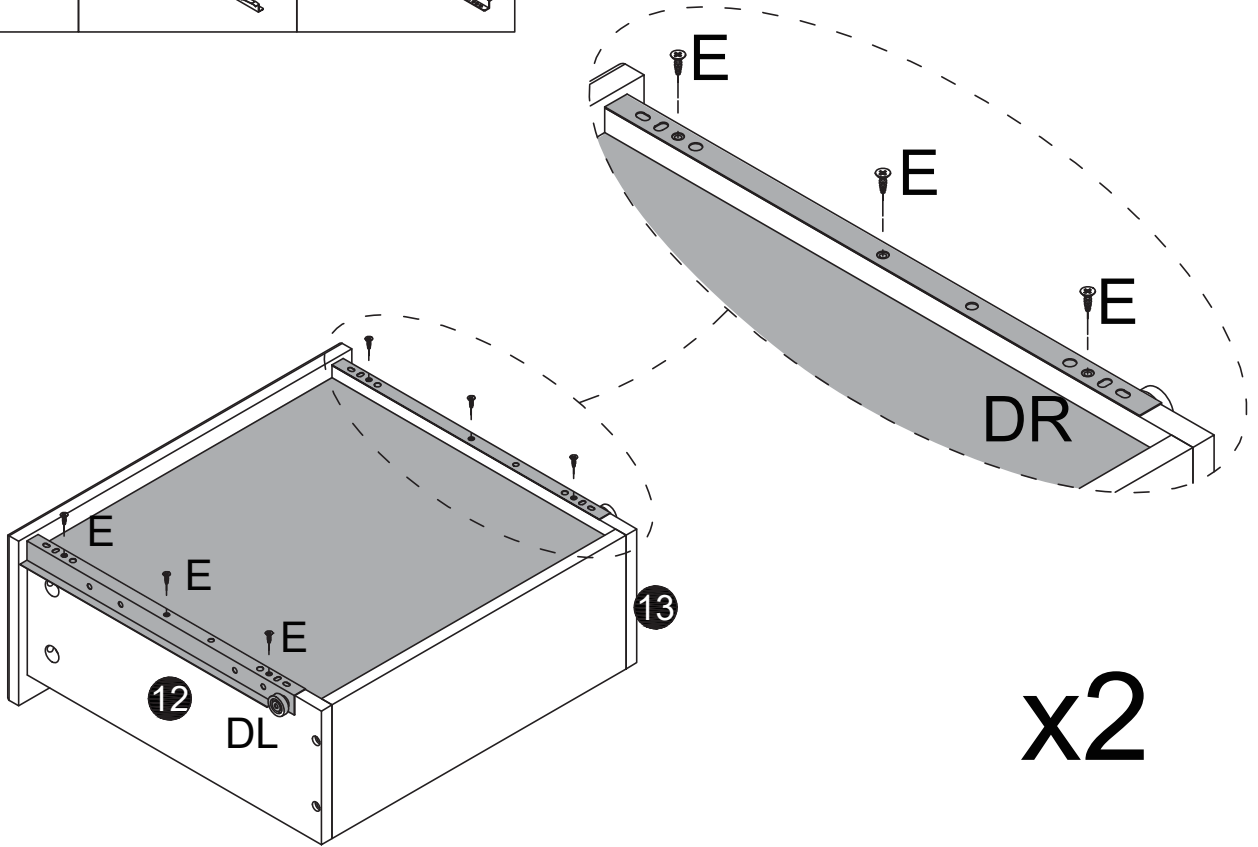
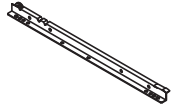


x2

E x12

DL x2

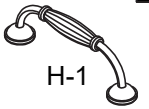
DR x2



x2

H x2

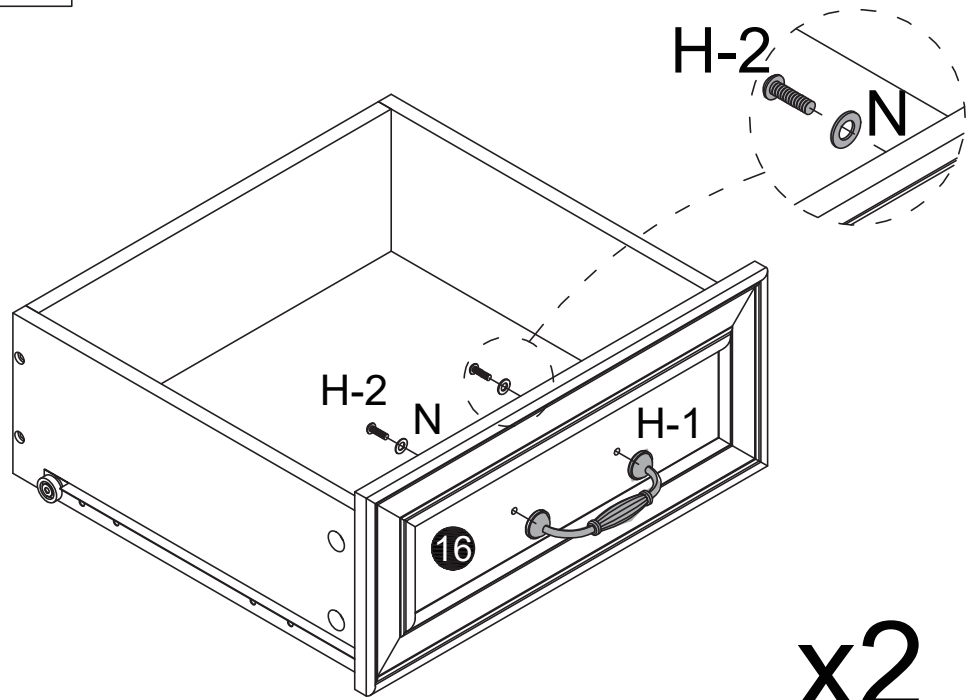
N x4



H-1

H-2

N



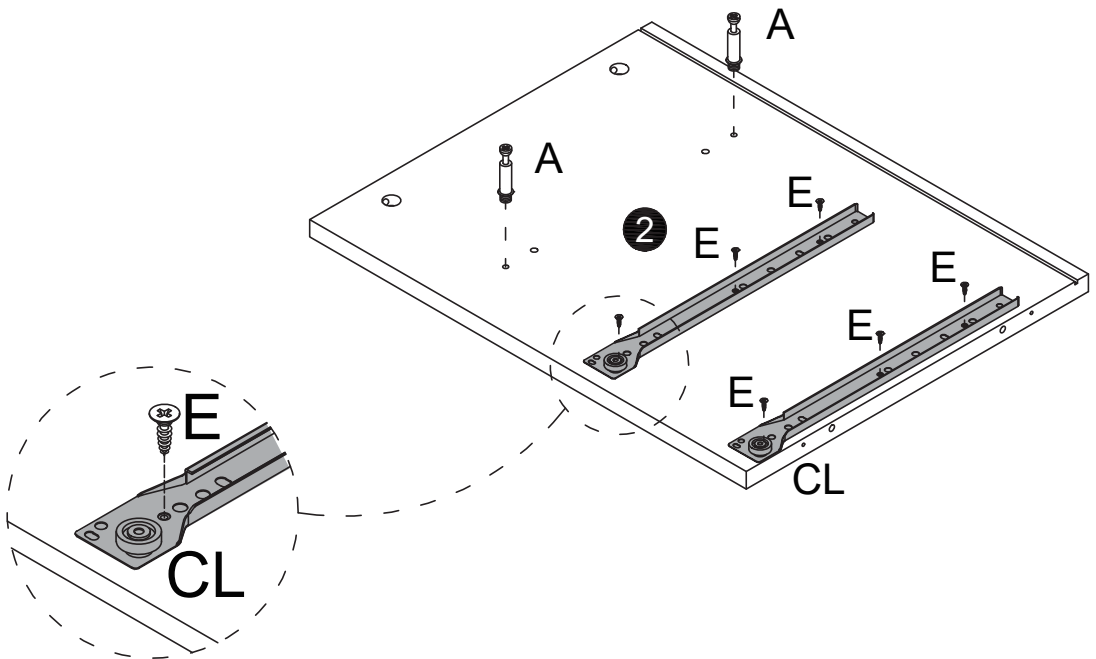
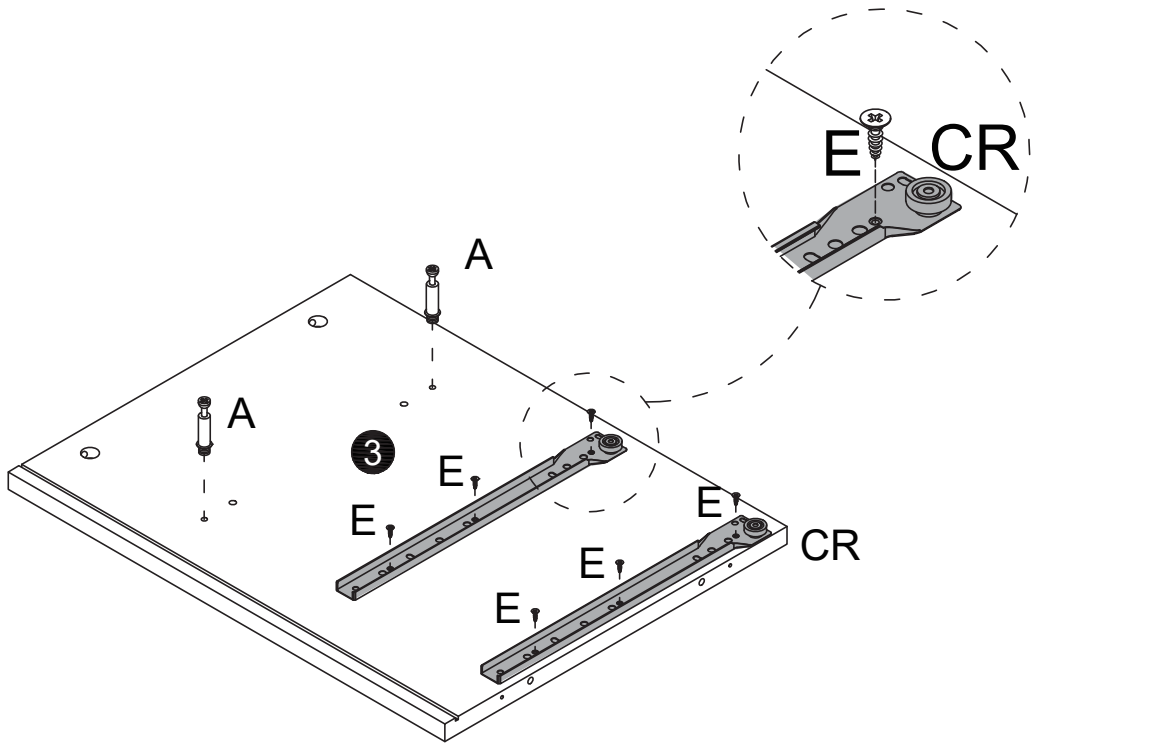
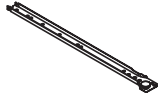
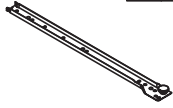
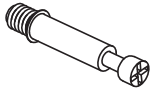
x2

A x4

E x12

CL x2

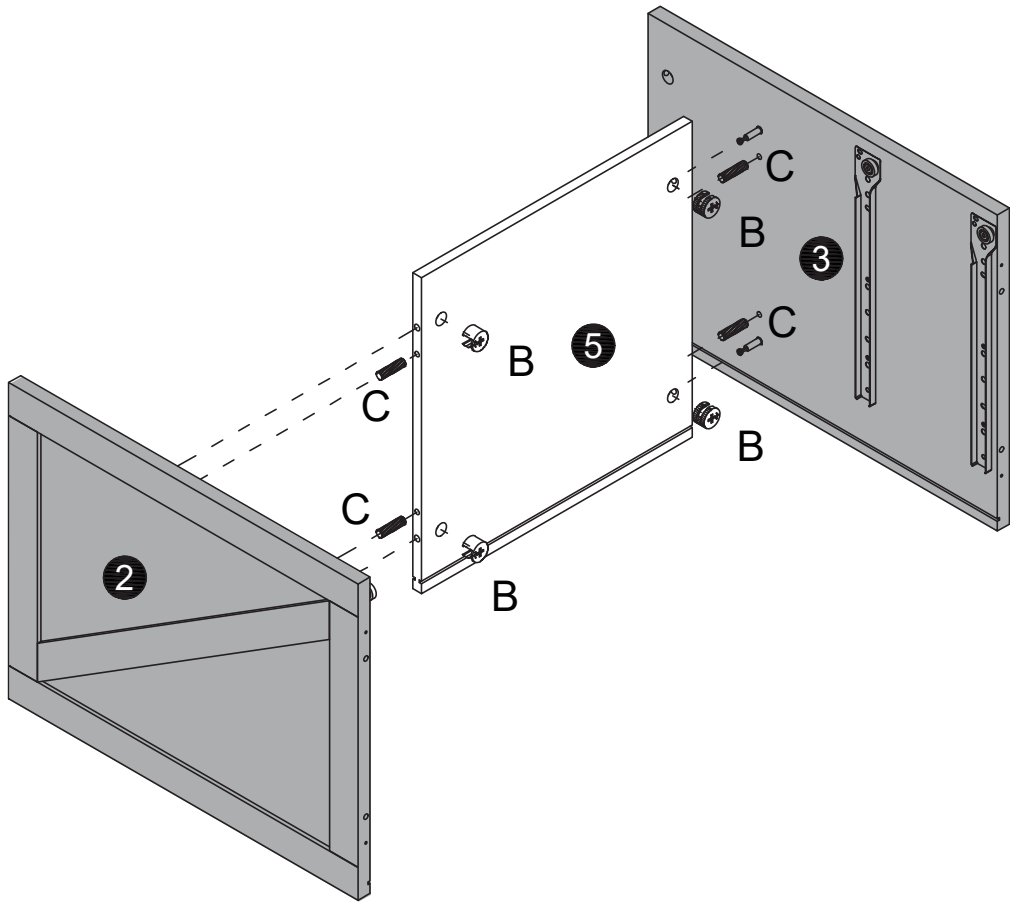
CR x2



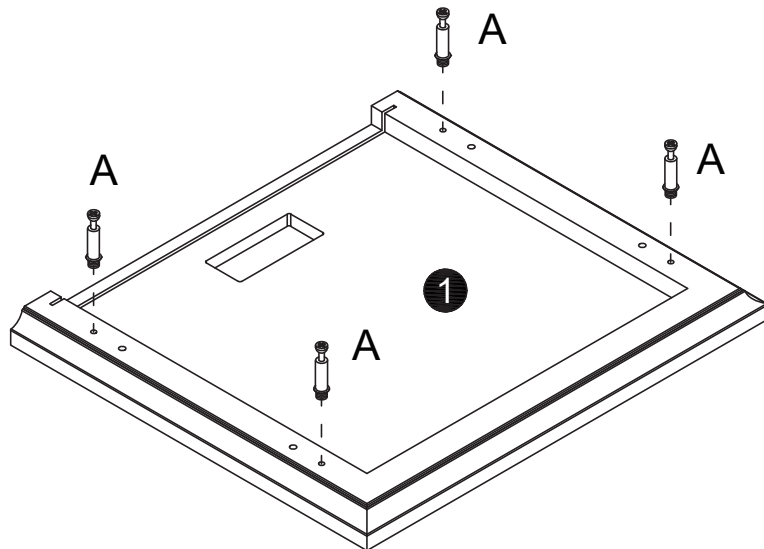
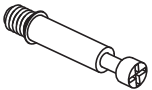
B x4



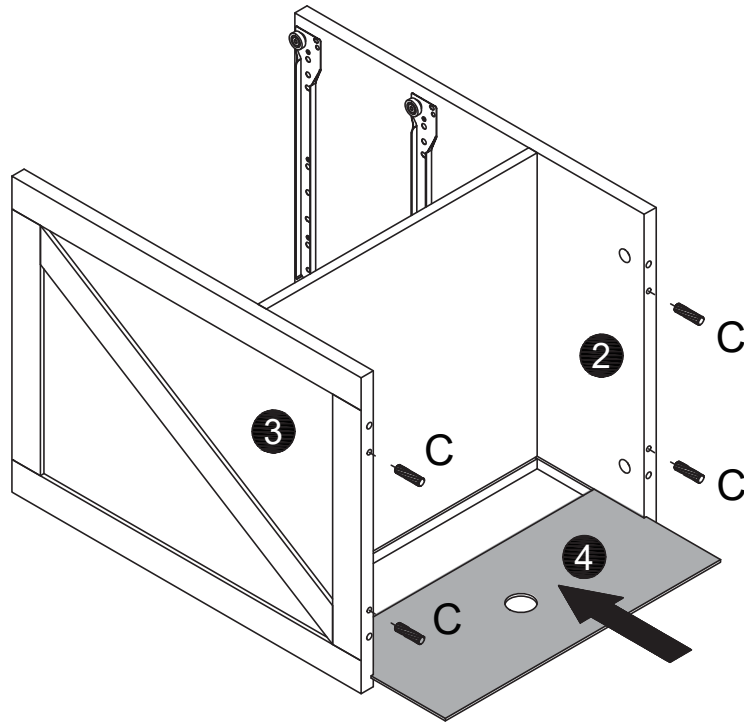
C x4



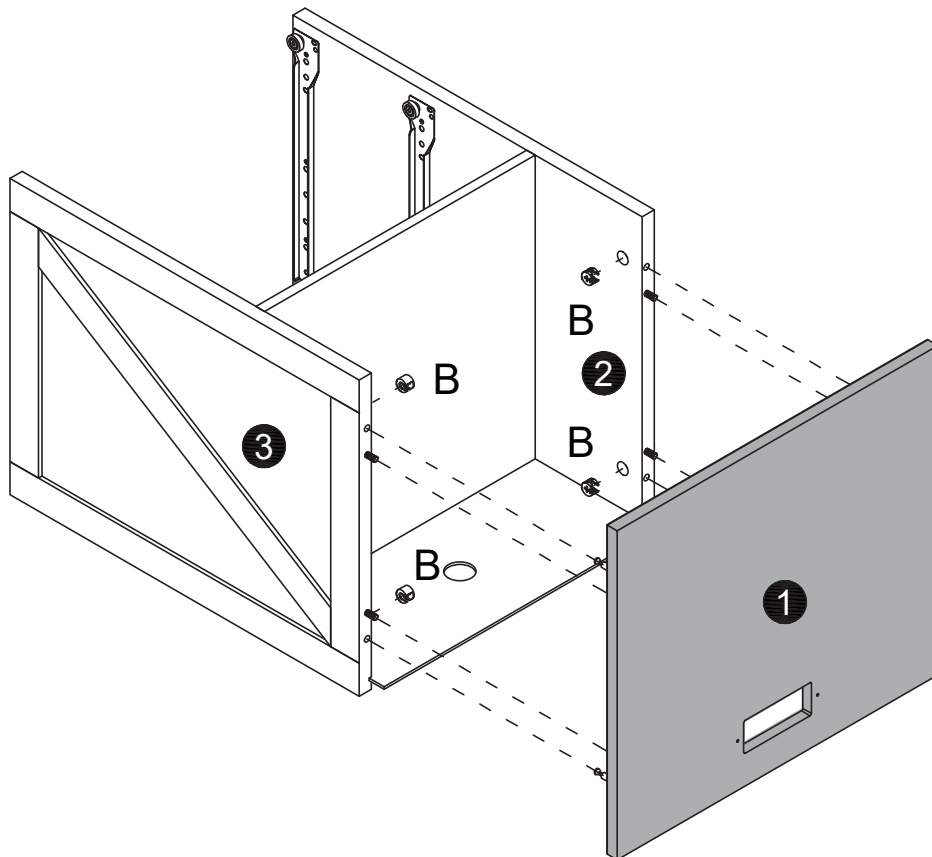
A x4



C x4



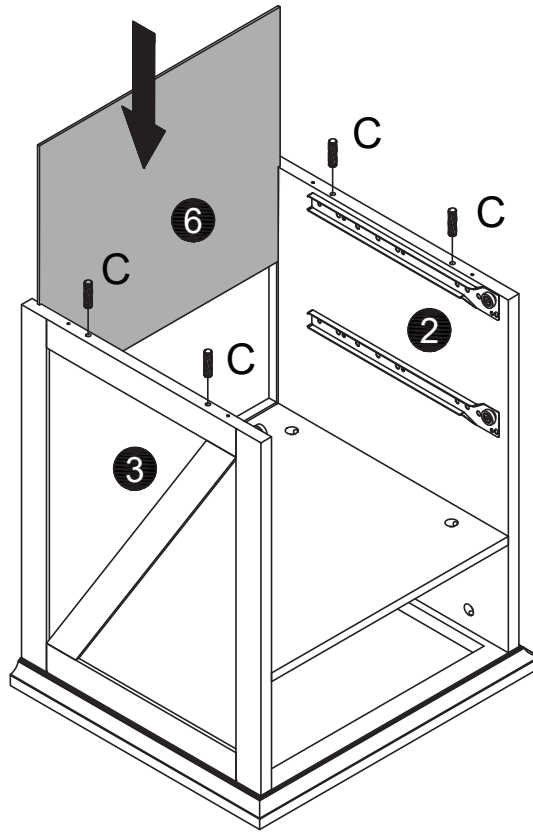
B x4



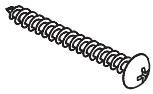
C x4



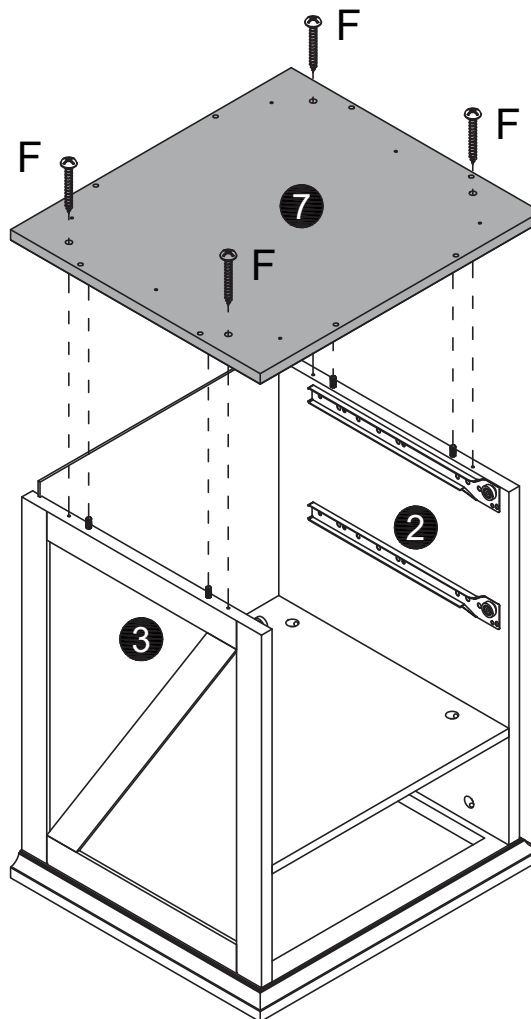
09

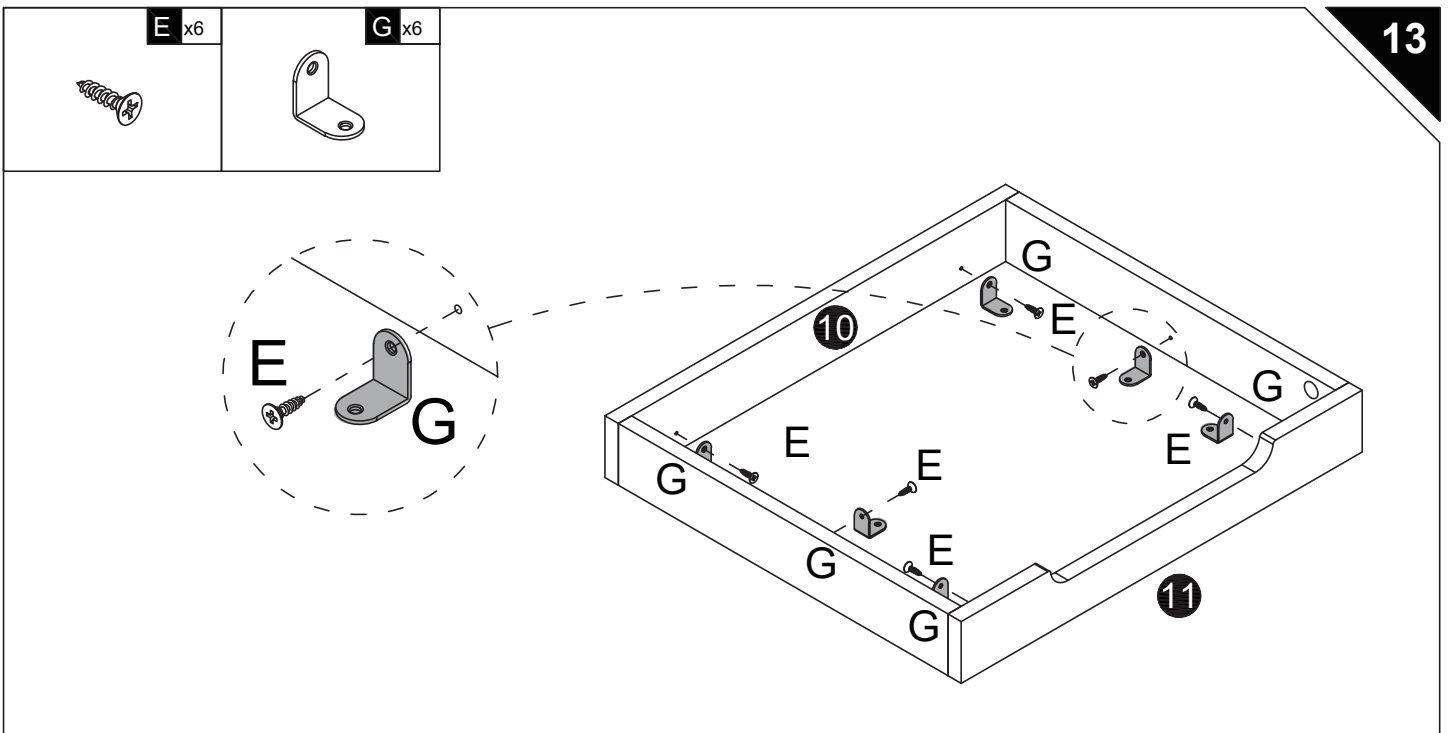
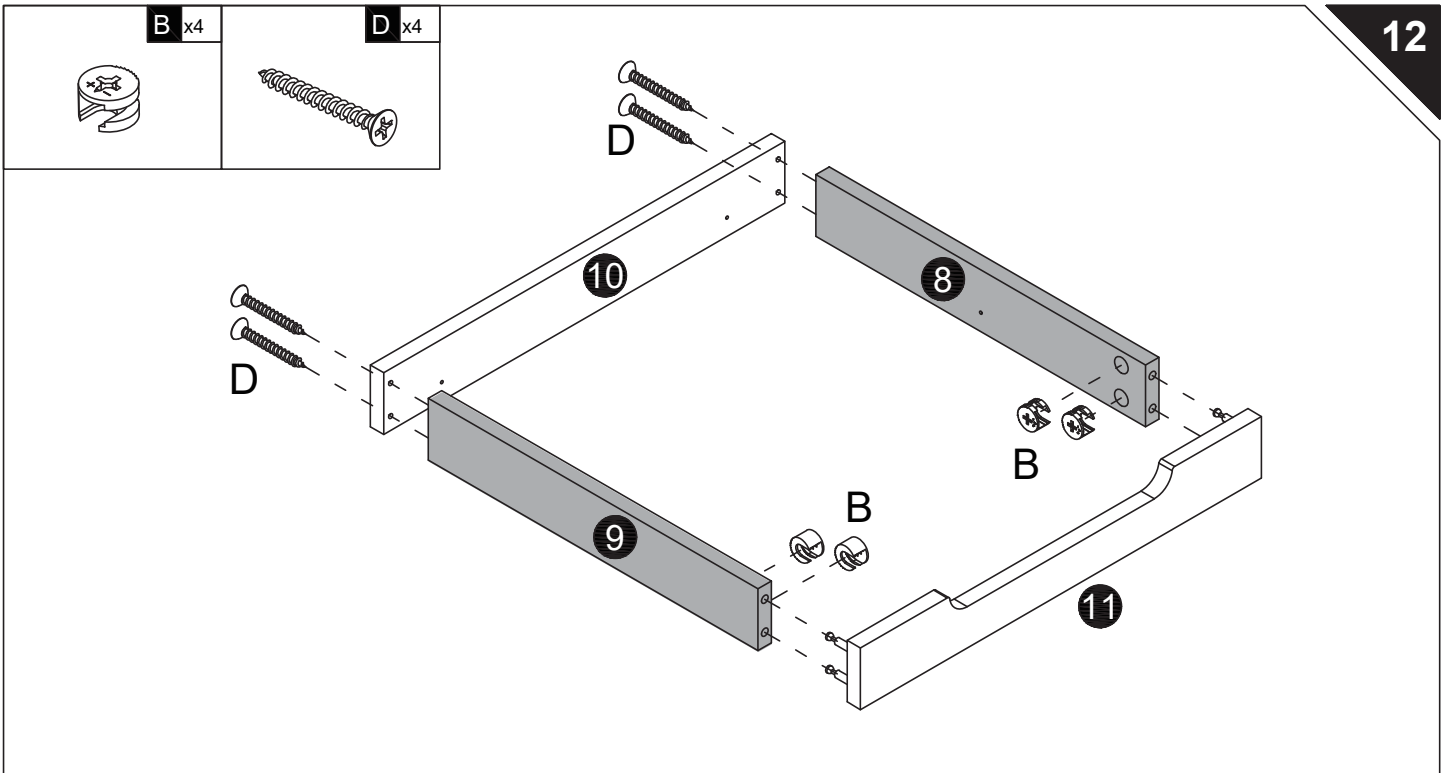
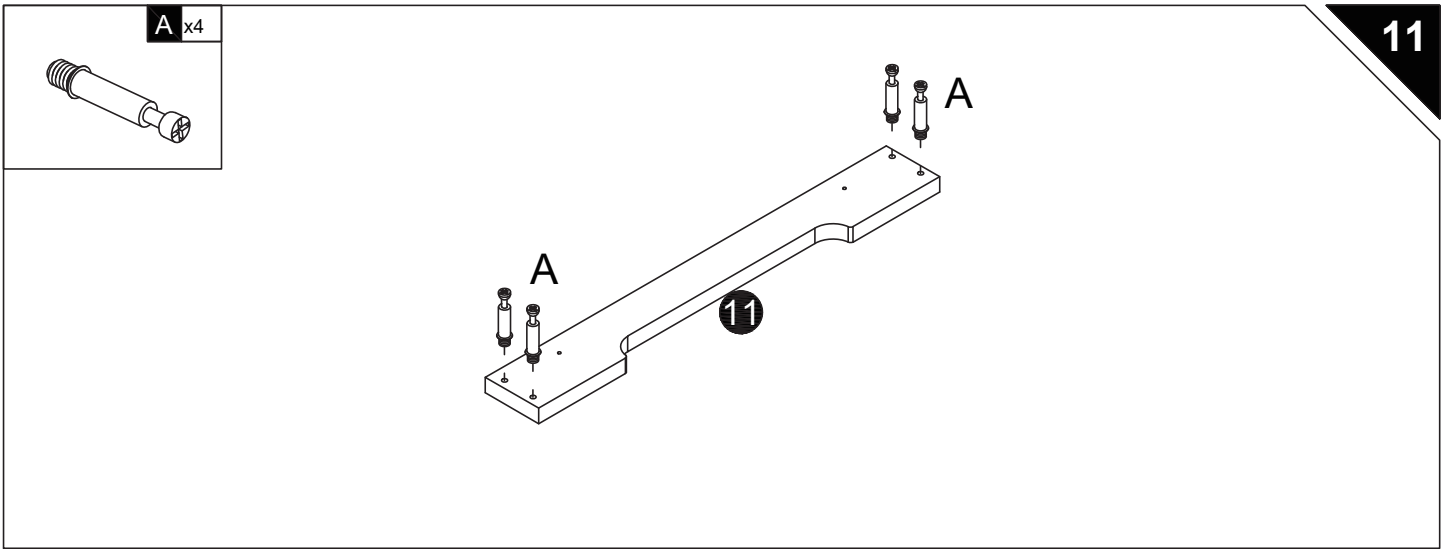


F x4



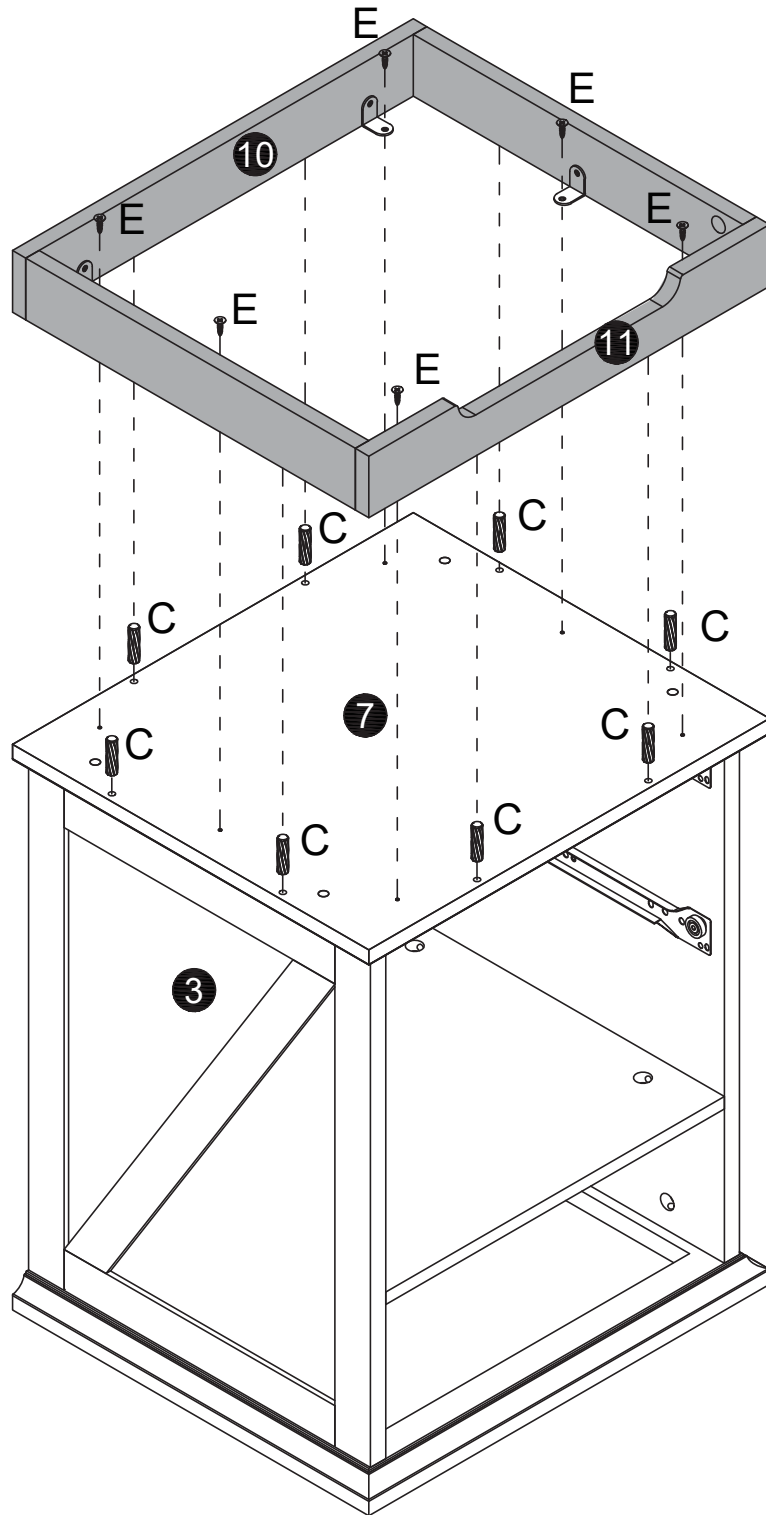
10





C x8

E x6



J x8

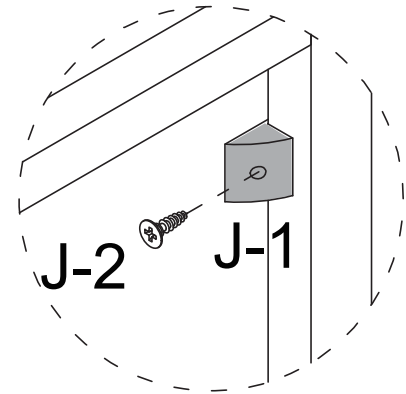
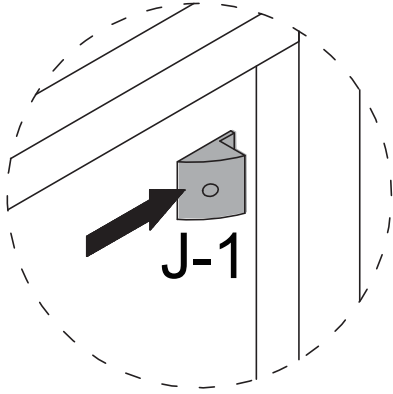
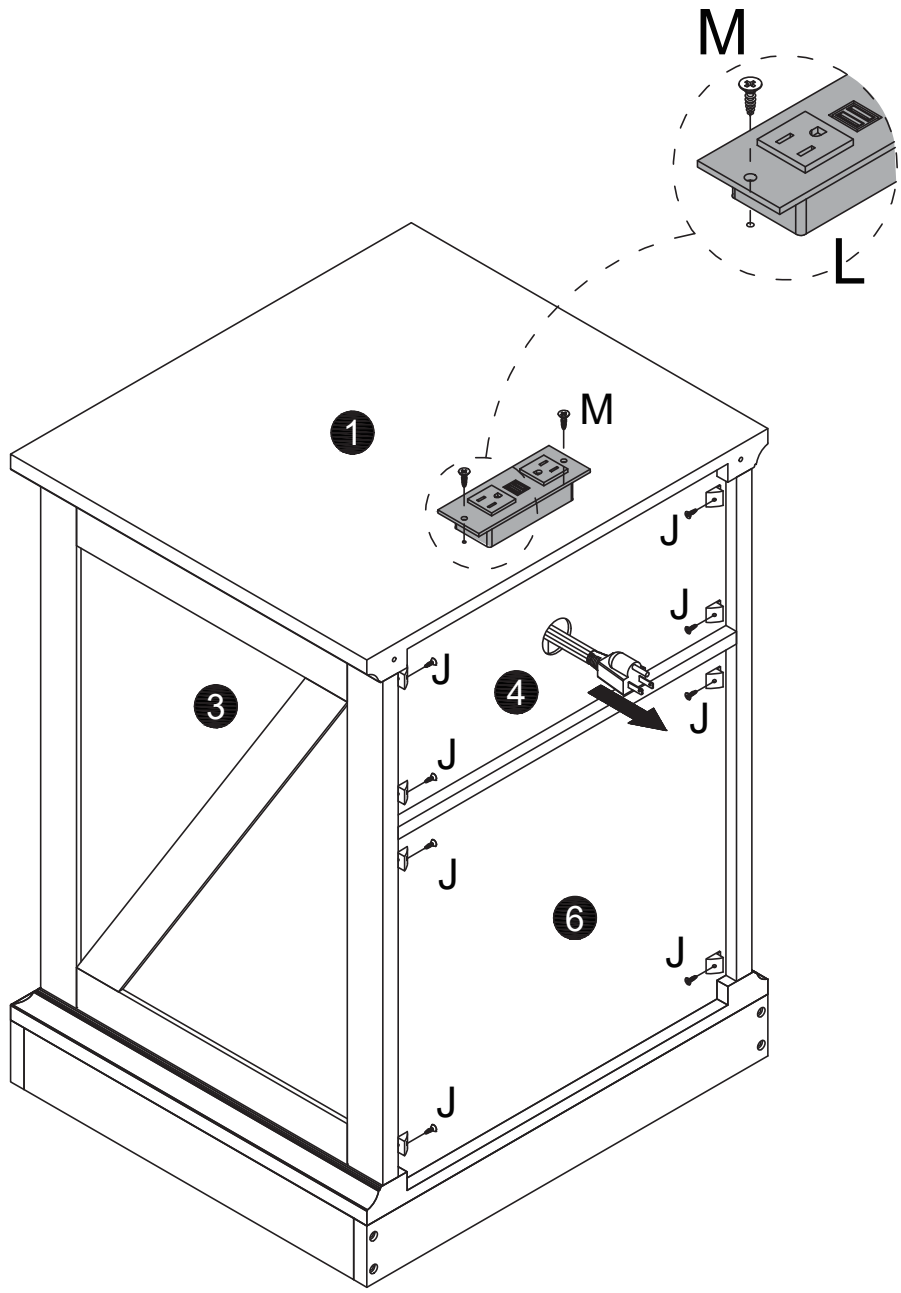
L x1

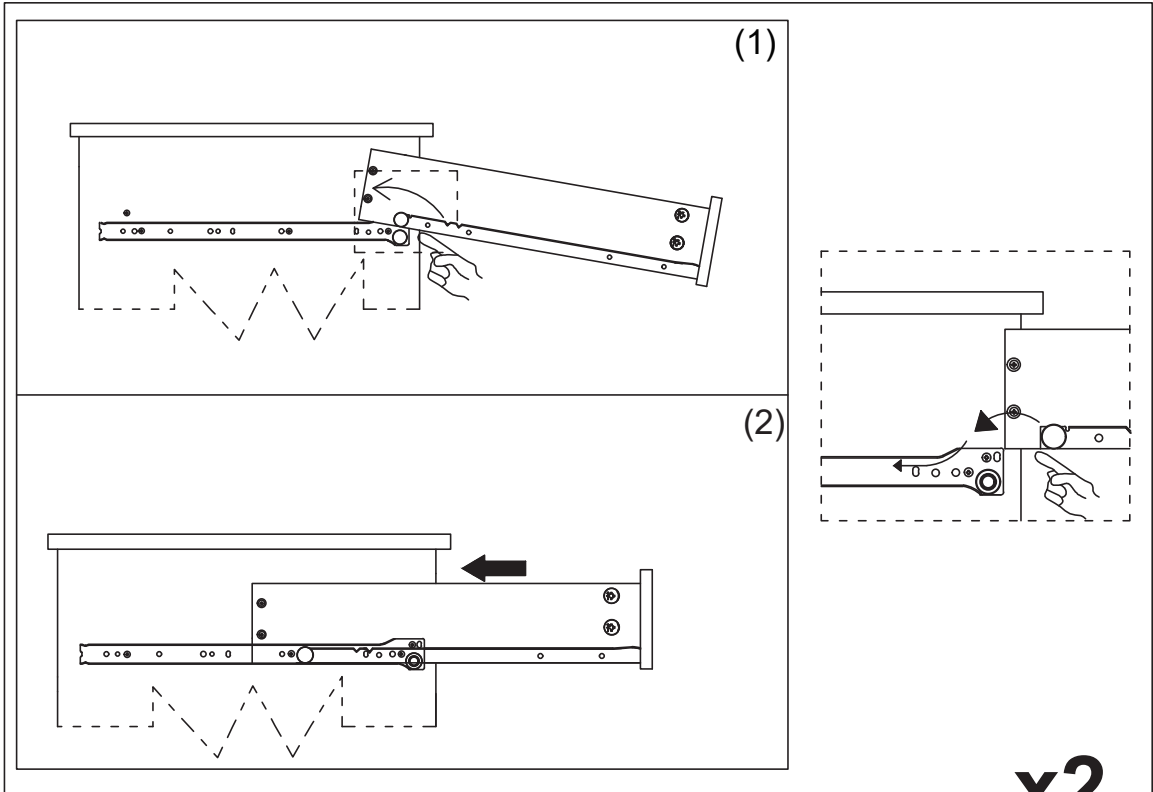
M x2



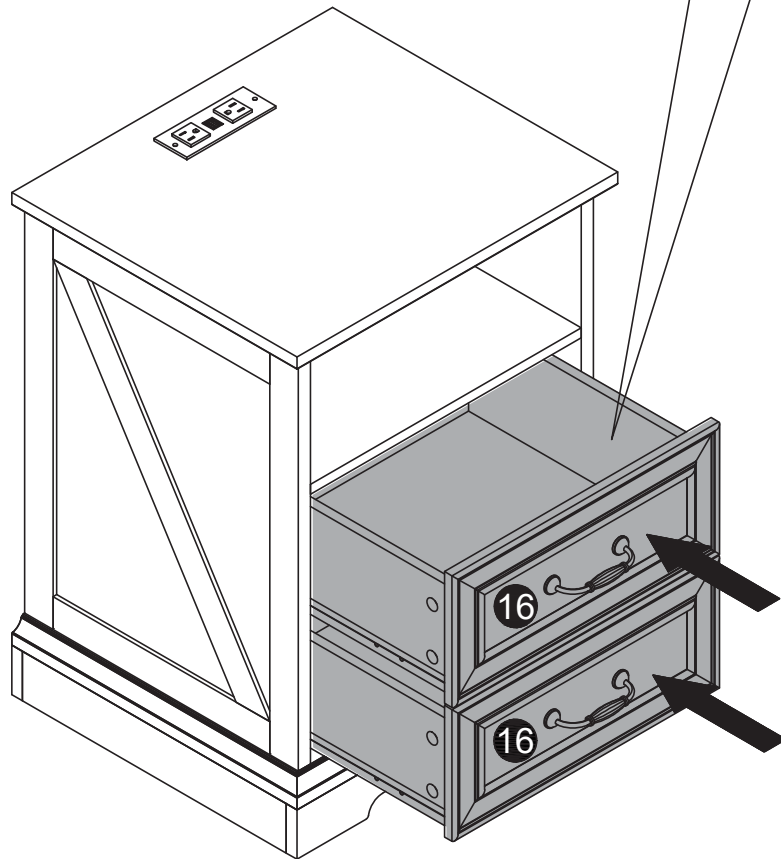
J-1

J-2

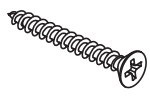




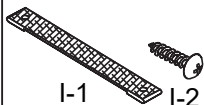
x2



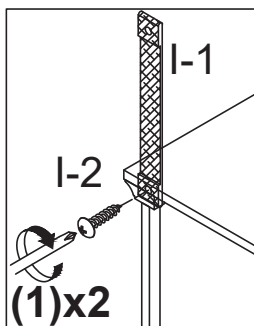
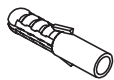
D x2



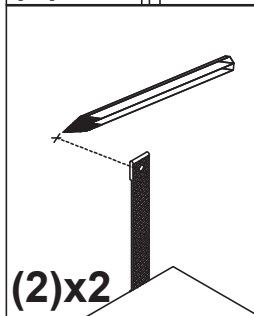
I x2



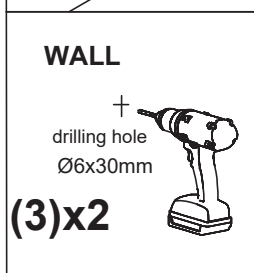
K x2



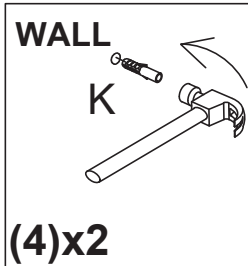
First fix the anti-rewind screw in the reserved hole of the product.



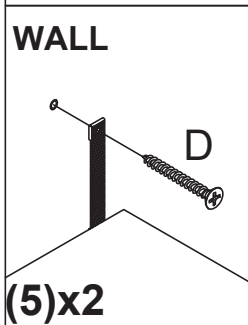
then, use a ruler to measure the approximate height of the product on the wall, and then mark it with a pen.



Then use a tape drill to make holes in the wall that are suitable for the product screws.



Then, put the expansion bolt into the hole



Finally, pass the matching screws through the "anti-rewind" and tighten them to fix them on the wall.

WALL

