

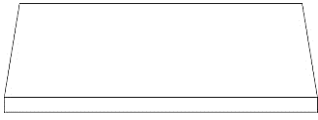




Assembly Instructions

Caution : You must read this before you proceed






CONSOLE



Parts List

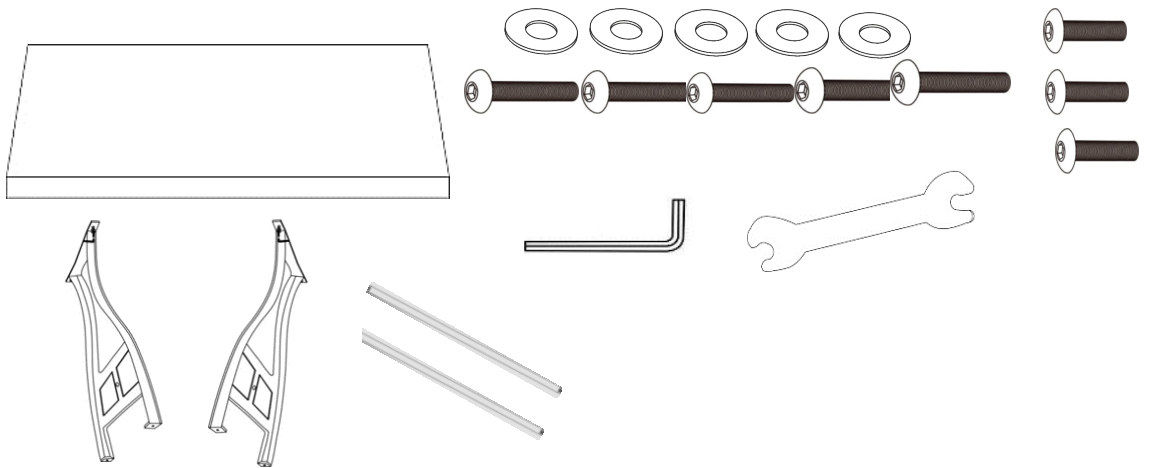
Label	Picture	Description	QTY
A		Wooden Top	1
B		Left Side Leg	1
C		Right Side Leg	1
D		Upper Rod	1
E		Lower Rod	1

Hardware

Label	Picture	Description	QTY
①		Washers (25 mm)	5
②		Bolts (6.0X20.0 mm)	5
③		Big Bolts (8.0X22.0MM)	3
④		Allen Wrench	1
⑤		Spanner	1

Assembly Preparation

Before Beginning Assembly:



- Read instructions, cover to cover-



- Have 2 adults on hand for assembly-



- Do not assemble on flooring or carpet-



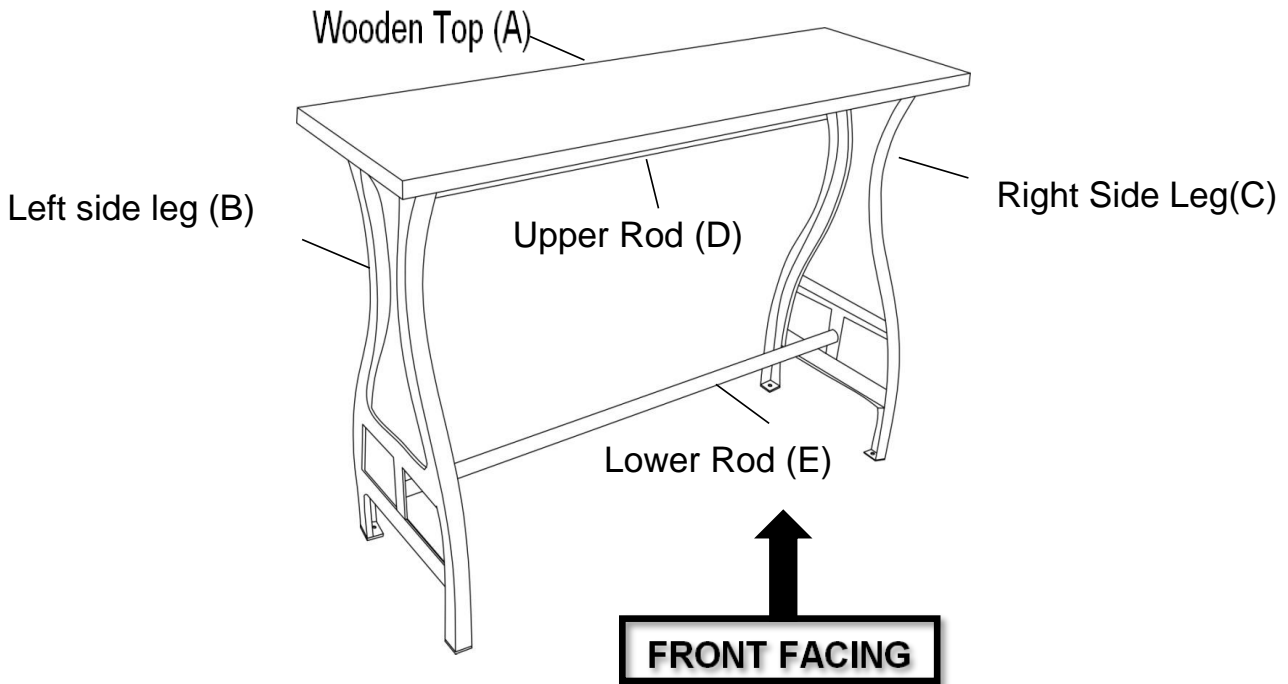
- Assemble on a clean non-marring surface (packing foam)-



- Save all packaging until finished-

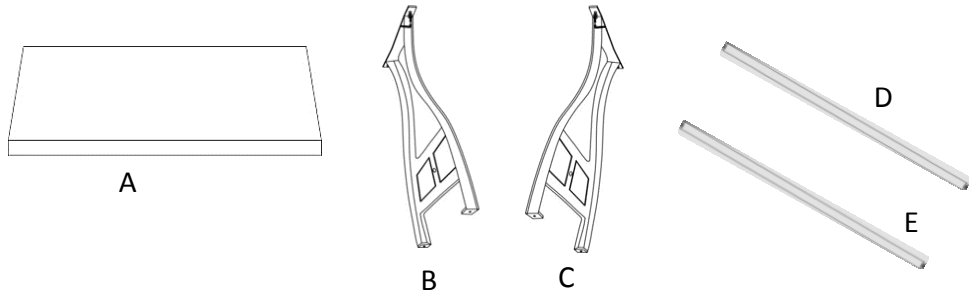
Assembly Steps

Overview



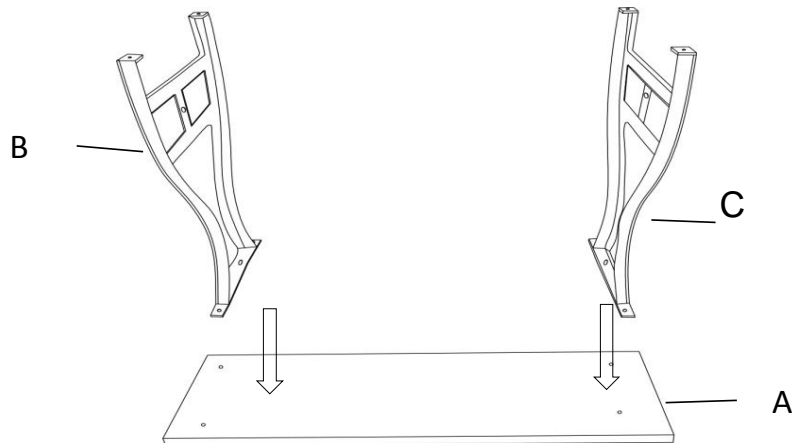
This Console has multiple parts and may require up to 30 minutes to assemble. To give you an overview of the Console parts, the above picture is to help you put the various parts into perspective. Please read through the instructions herebelow to familiarise the parts and steps before assembly.

Step 1



Unpack all the parts and place on a clean, non-marring surface .

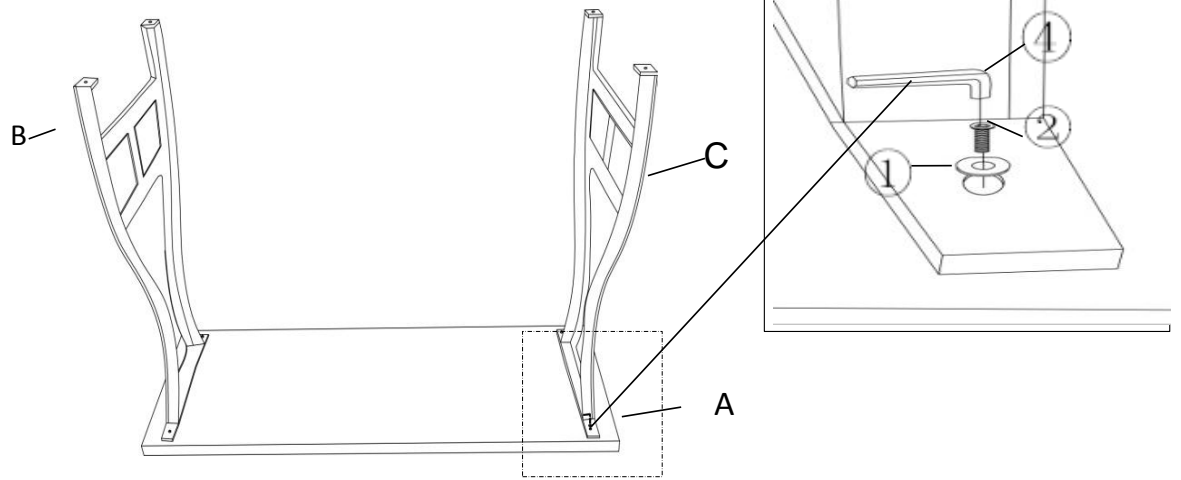
Step 2



Place the Wooden Top (A) with its both side Leg (B) and (C) onto a clean, soft surface to avoid any scratches or damages to the product.

Align the holes of the legs into the Wooden Top (A) holes as shown in the above picture.

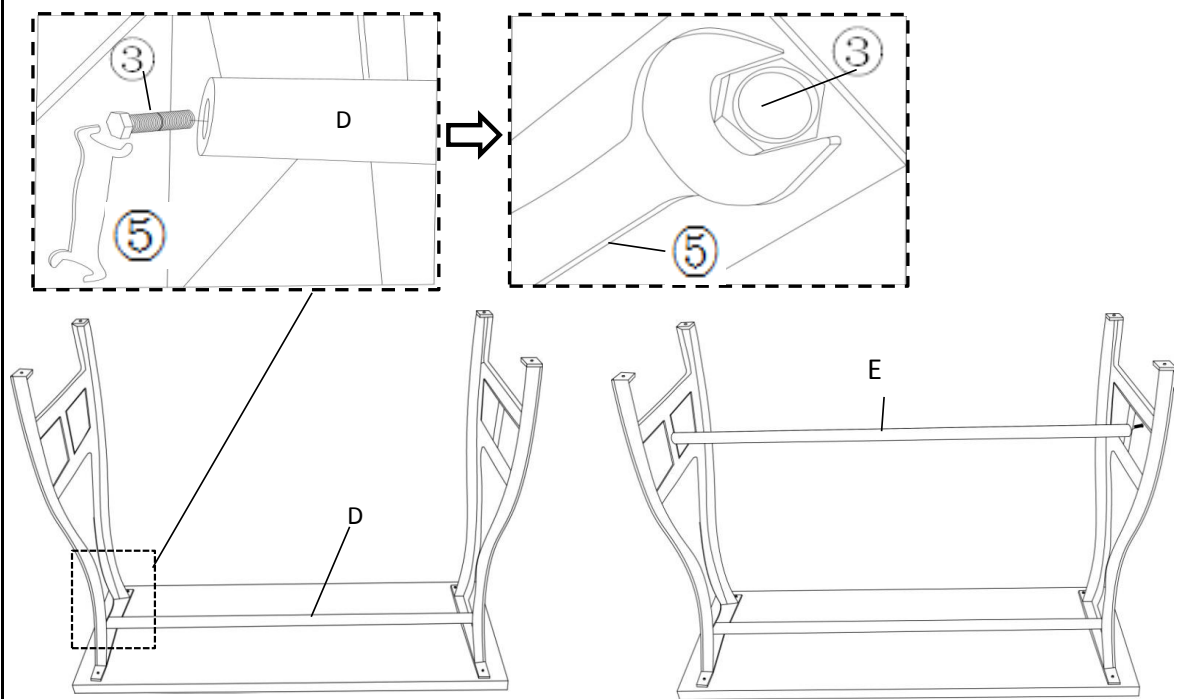
Step 3



Attach Left Side Leg (B) to Wooden top (A) using Washers (①), Bolt (②) With the help of Allen Wrench (④). Follow the same step to attach the other Right side Leg(C). Tighten the Bolt partially in a sequential manner.

DO NOT TIGHTEN THE BOLTS FULLY.

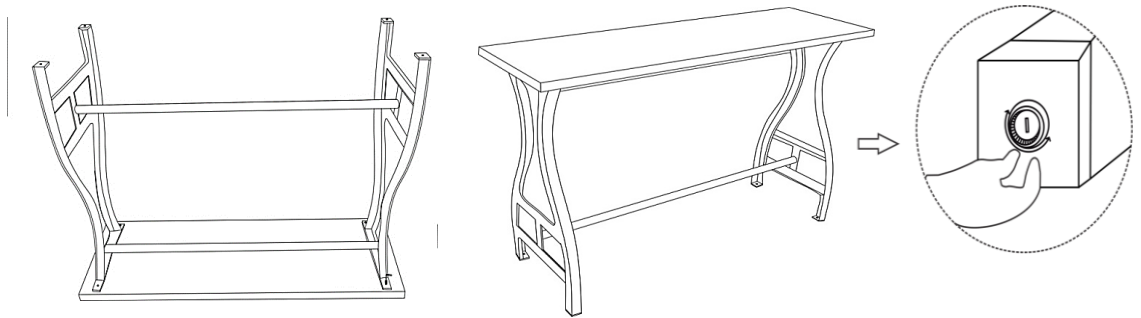
Step 4



Fix the Lower Rod(D) into the Left Side Leg (B) and Right Side Leg (C) using Big Bolt (③) with the help of Spanner (⑤) in clock wise direction. Repeat the same process to assemble the Upper Rod (E) as shown in the above picture. Tighten the Bolt partially in a sequential manner.

DO NOT TIGHTEN THE BOLTS FULLY.

Step 6



Flip the Console to upright position.

In case if the floor is uneven, adjust levellers on the underside of the legs up or down to compensate. Once the Console is assembled, the levellers can be adjusted turning the leveller as shown in the "Step "6".

Place the Console on a LEVEL SURFACE.

Inspect it and make sure all parts are adequately connected. This would help to align all the parts at all the joint areas. In a sequential manner, proceed to tighten all Bolts.

To tighten the Bolts at the base of the Legs, do secure assistance from your adult partner(s). You may be required to turn the Console, to gain easy access to the secure points.

Turn the Console in a synchronised manner.

CAUTION 1: When tightening these Bolts, tighten sequentially. DO NOT tighten any bolt fully and then towards the next one.

This would cause the frame to warp.

If there is still wobble, loosen the Bolts and execute this same process.












WARNING!! IF CONSOLE IS NOT STABLE , IT COULD LEAD TO DAMAGING THE PRODUCT.

Ensure all Bolts are fully locked into position.

The Console is ready to be used.

CAUTION 2: This Console can only be used on a flat, level surface.

Care & Maintenance

- ✓  Furniture may scratch floors. We recommended using furniture pads to protect your floors.
- ⊘  Do not put hot items directly on furniture surface.
- ⊘  Do not clean furniture with harsh cleansers or polish.
- ⊘  Do not place furniture under direct sunlight.
- ⊘  Do not place furniture near heating or cooling vents.
- ⊘  Do not write on furniture without a padded barrier to protect the surface.
- ⊘  Do not place furniture outside . For indoor use only.
- ⊘  Not for commercial use. For residential use only.
- ⊘  Stains may be removed with mild soap solution and damp cloth.
- ⊘  Children should not climb or jump on the furniture.
- ✓  Dust and pick-up spills using a clean, non-colored, lint-free cloth.