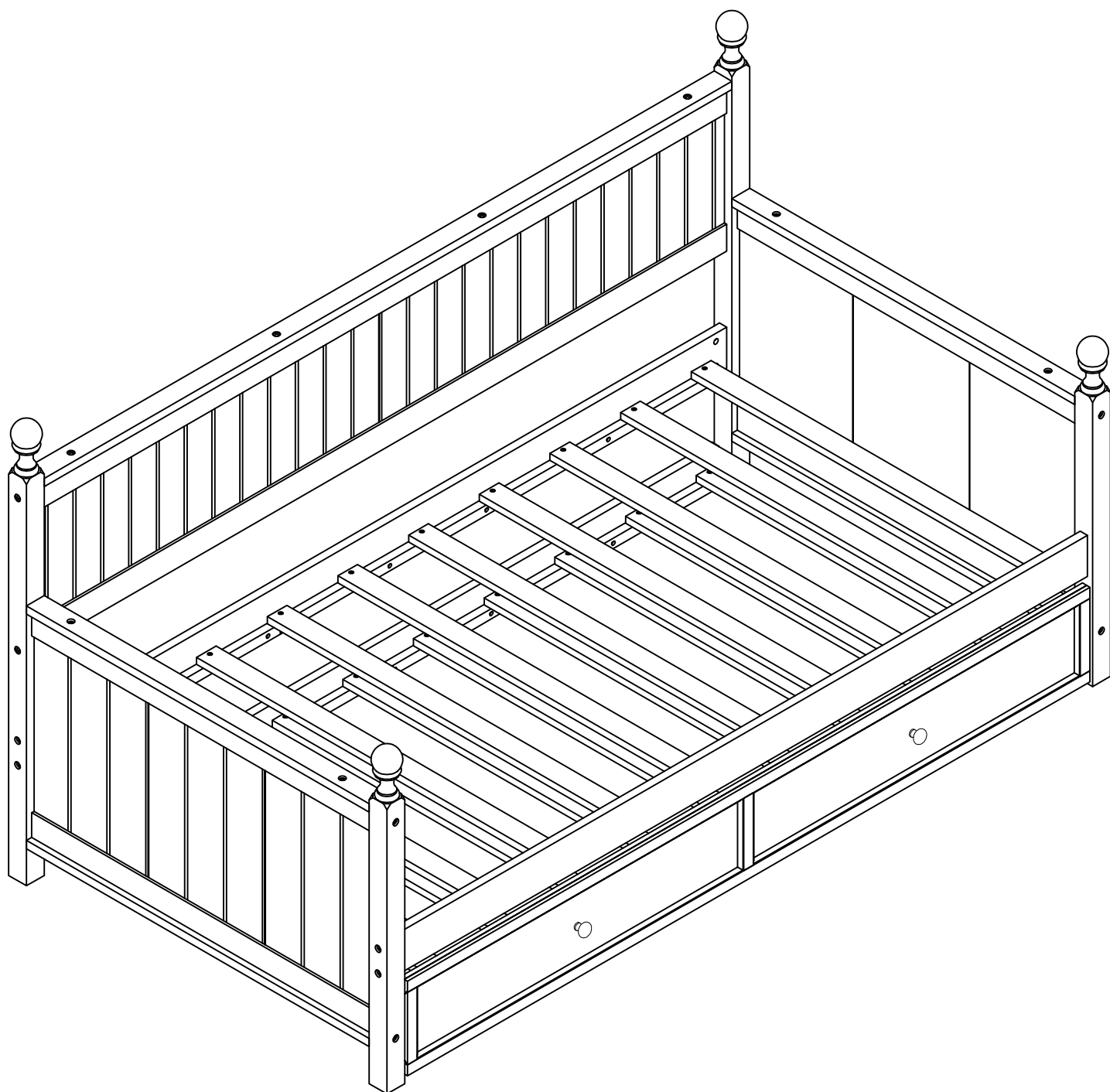
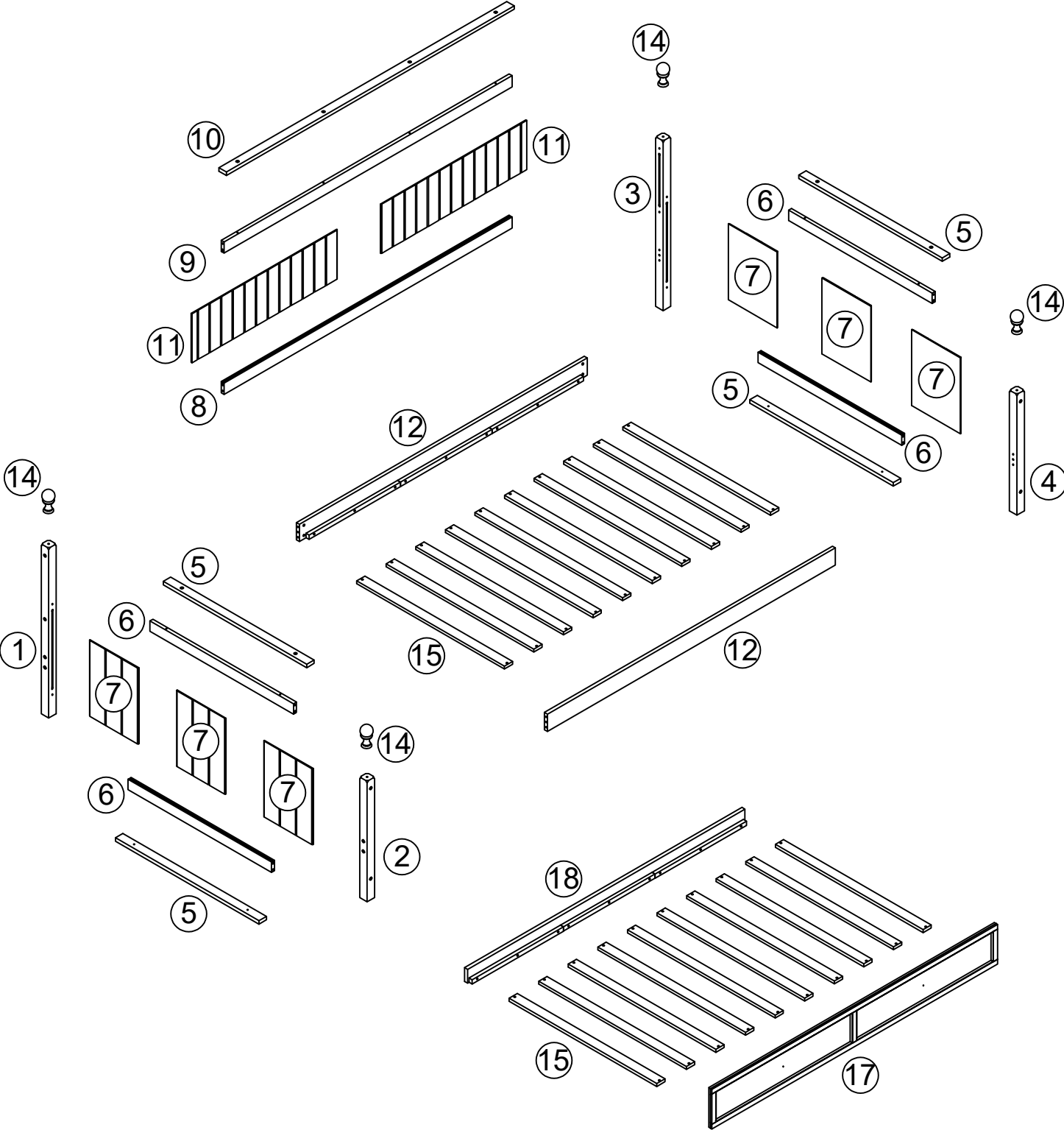


ASSEMBLY INSTRUCTIONS


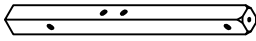
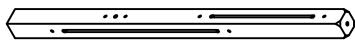
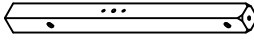
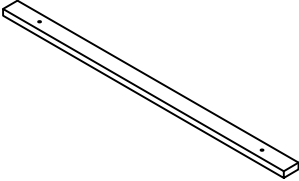
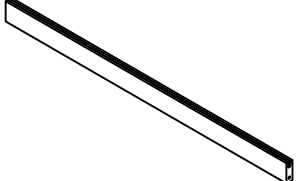
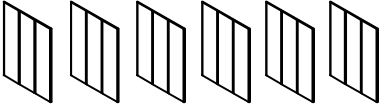
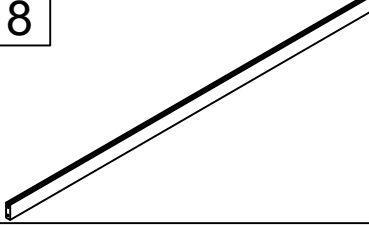
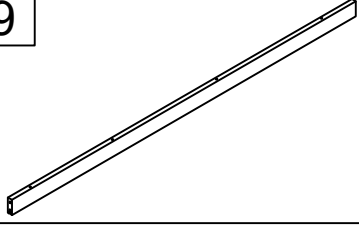
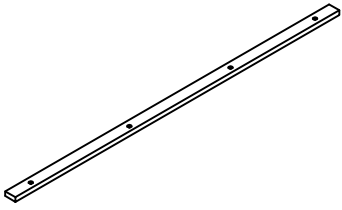
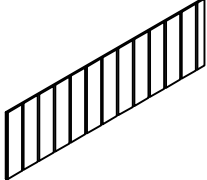
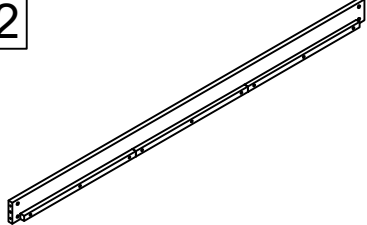
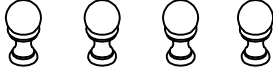
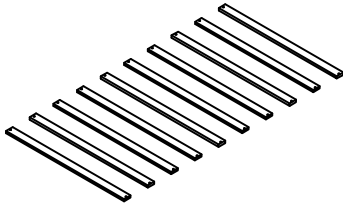
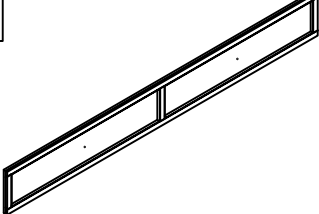
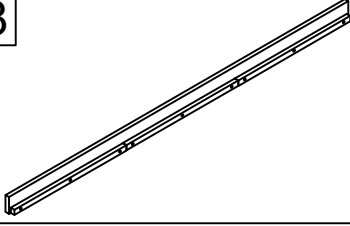
DAYBED WITH TRUNDLE



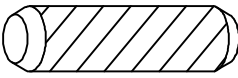
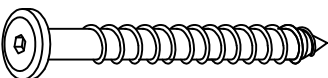
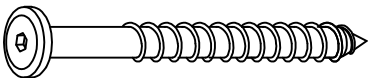
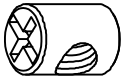



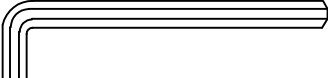
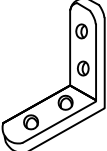

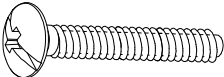


Detail View



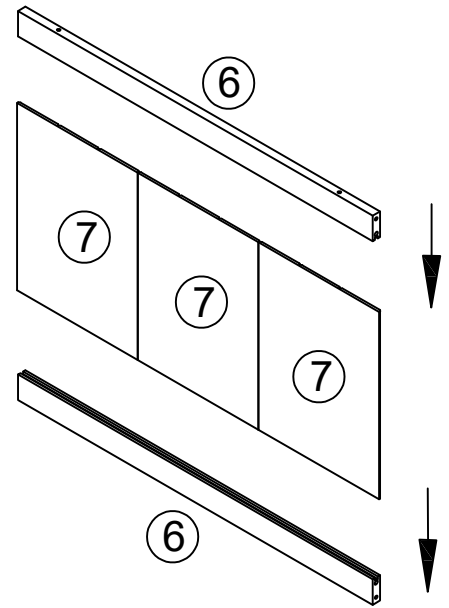
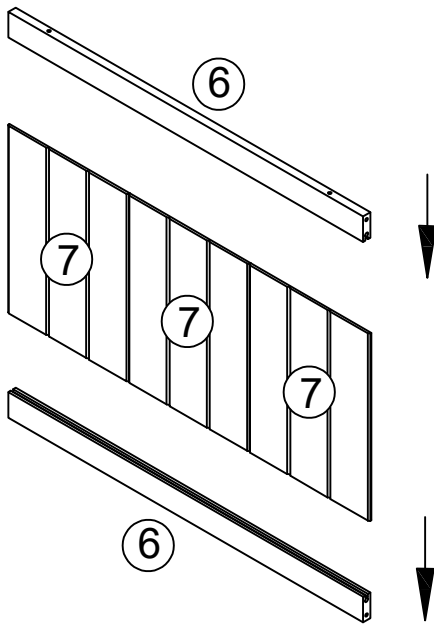
Part Lists

<p>1</p> 	<p>2</p> 	<p>3</p> 
<p>Hind leg (left) - 1pc</p>	<p>Front leg (left) - 1pc</p>	<p>Hind leg (right) - 1pc</p>
<p>4</p> 	<p>5</p> 	<p>6</p> 
<p>Front leg (right) - 1pc</p>	<p>Cladding bar - 4pcs</p>	<p>Grooved crossbar - 4pcs</p>
<p>7</p> 	<p>8</p> 	<p>9</p> 
<p>Cladding frame - 6pcs</p>	<p>Lower crossbar - 1pc</p>	<p>Upper crossbar - 1pc</p>
<p>10</p> 	<p>11</p> 	<p>12</p> 
<p>Beam face - 1pc</p>	<p>Cladding bar - 2pcs</p>	<p>Bed shoulder (B/F) - 2pcs</p>
<p>14</p> 	<p>15</p> 	<p>17</p> 
<p>Decorative piece - 4pcs</p>	<p>Slats - 20pcs</p>	<p>Scissors front - 1pc</p>
<p>18</p> 		
<p>Shoulder drawer - 1pc</p>		

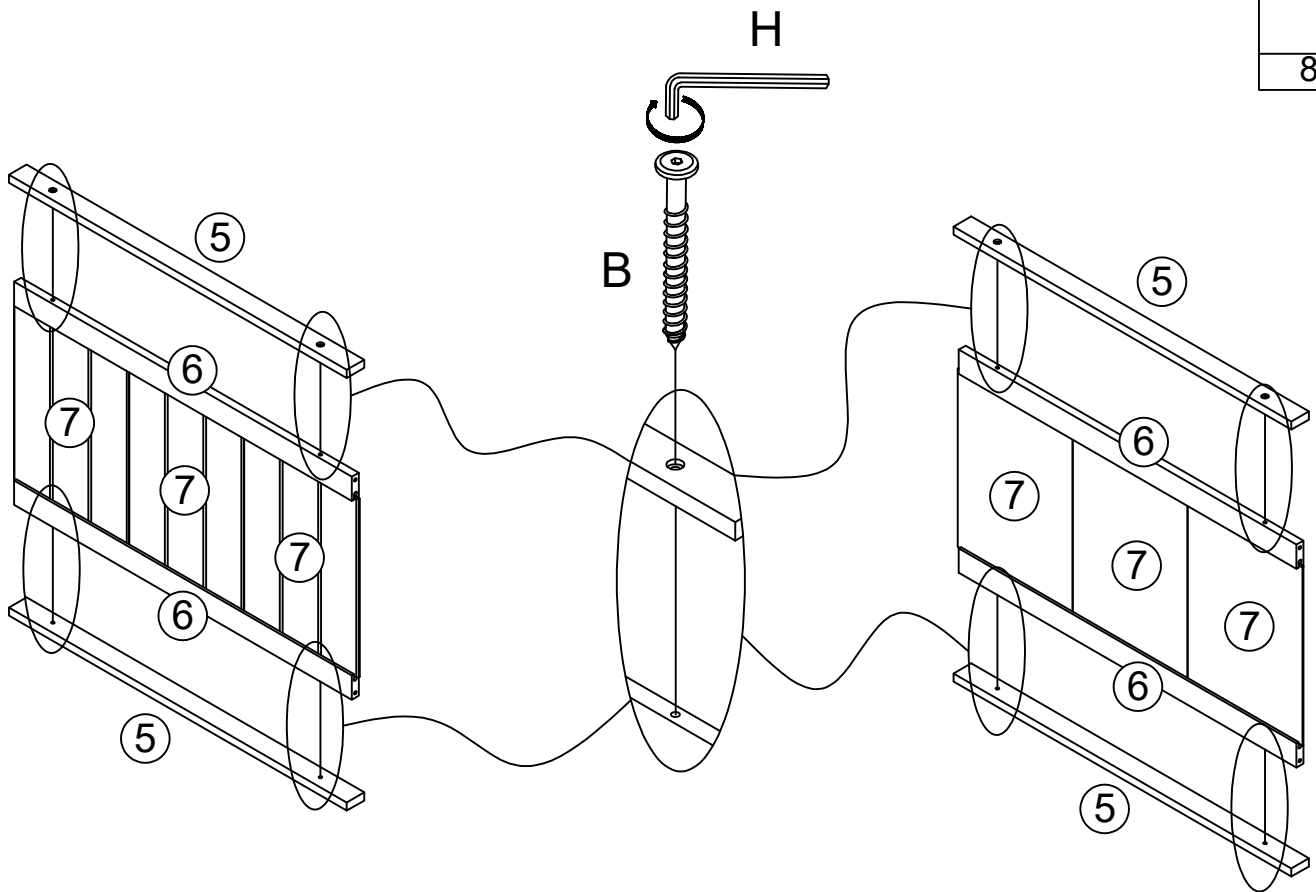
Hardware Lists

<p>A</p>  <p>Ø10*30mm</p>	<p>B</p>  <p>Ø6*50mm</p>	<p>C</p>  <p>Ø6*100mm</p>
<p>Wood dowel (16pcs)</p>	<p>Hex-Head screw (12pcs)</p>	<p>Hex-Head screw (12pcs)</p>
<p>D</p>  <p>Ø1/4"*12*15mm</p>	<p>E</p>  <p>#4*30mm</p>	<p>F</p>  <p>#4*15mm</p>
<p>Horizontal-Hole bolt (8pcs)</p>	<p>Screw (40pcs)</p>	<p>Screw (28pcs)</p>
<p>G</p>  <p>Ø35mm</p>	<p>H</p>  <p>K4mm</p>	<p>J</p>  <p>60*20*2mm</p>
<p>Caster (4pcs)</p>	<p>Allen key (1pc)</p>	<p>Pass L (3pcs)</p>
<p>K</p>  <p>Ø30 mm</p>	<p>L</p>  <p>Ø5/32" x 20mm</p>	<p>M</p>  <p>Ø5/16" x 60 mm</p>
<p>Wood Handle 2pcs</p>	<p>Philip-Head bolt (2pcs)</p>	<p>Headless bolt (4pcs)</p>
<p>N</p>  <p>Ø1/4"*100mm</p> <p>Hex-Head bolt (8pcs)</p>		



Step 1

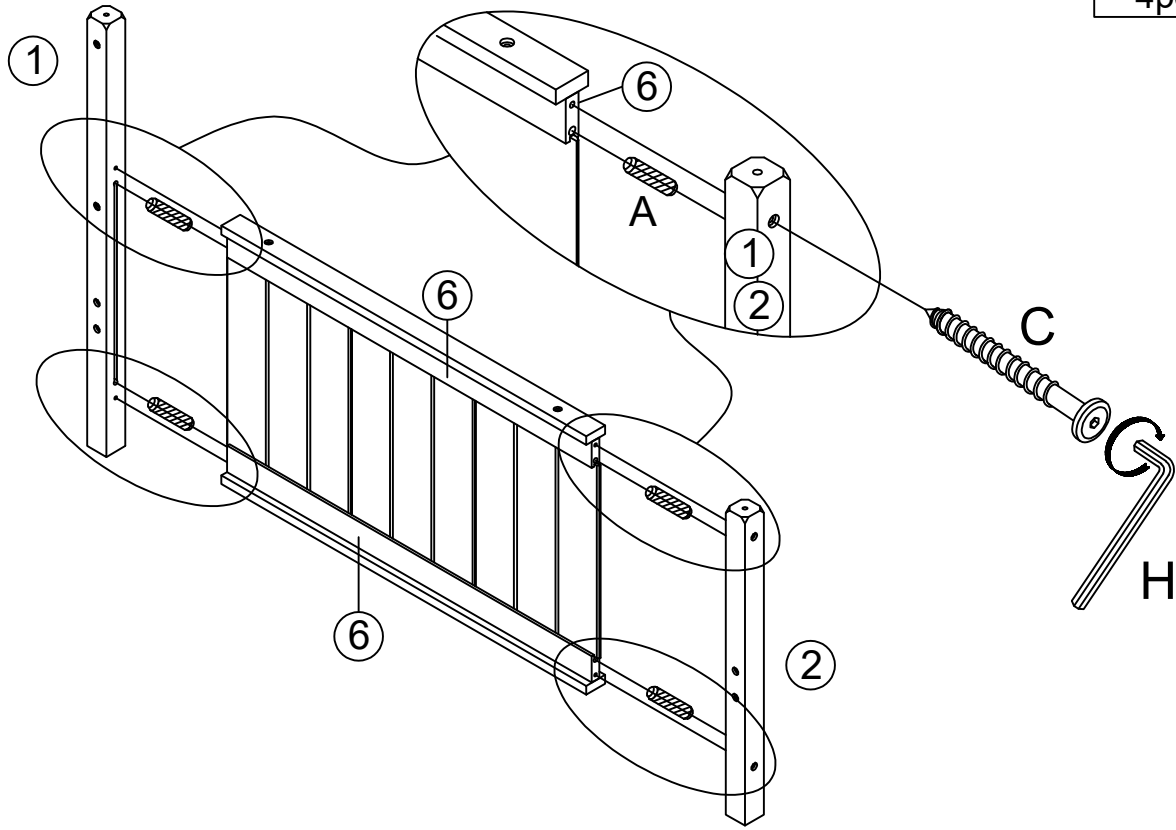


Step 2





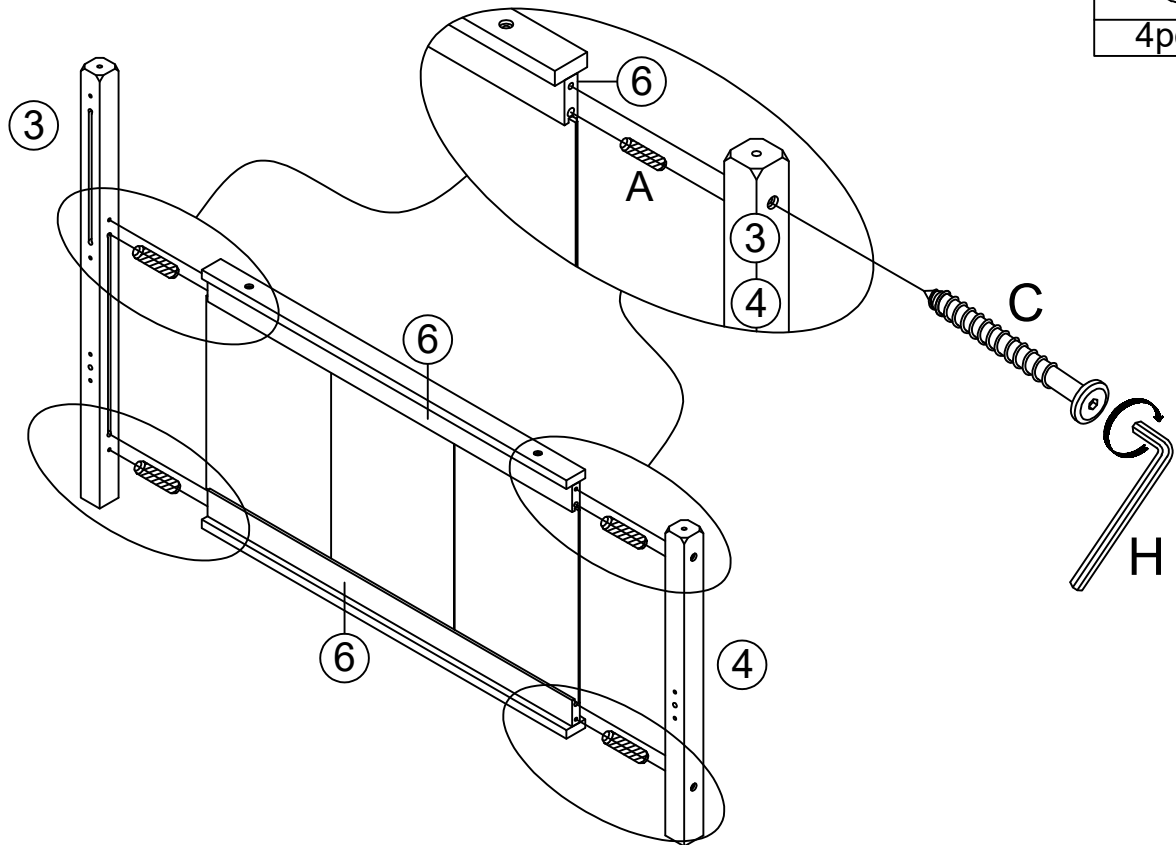
Step 3

A		C	
	4pcs		4pcs

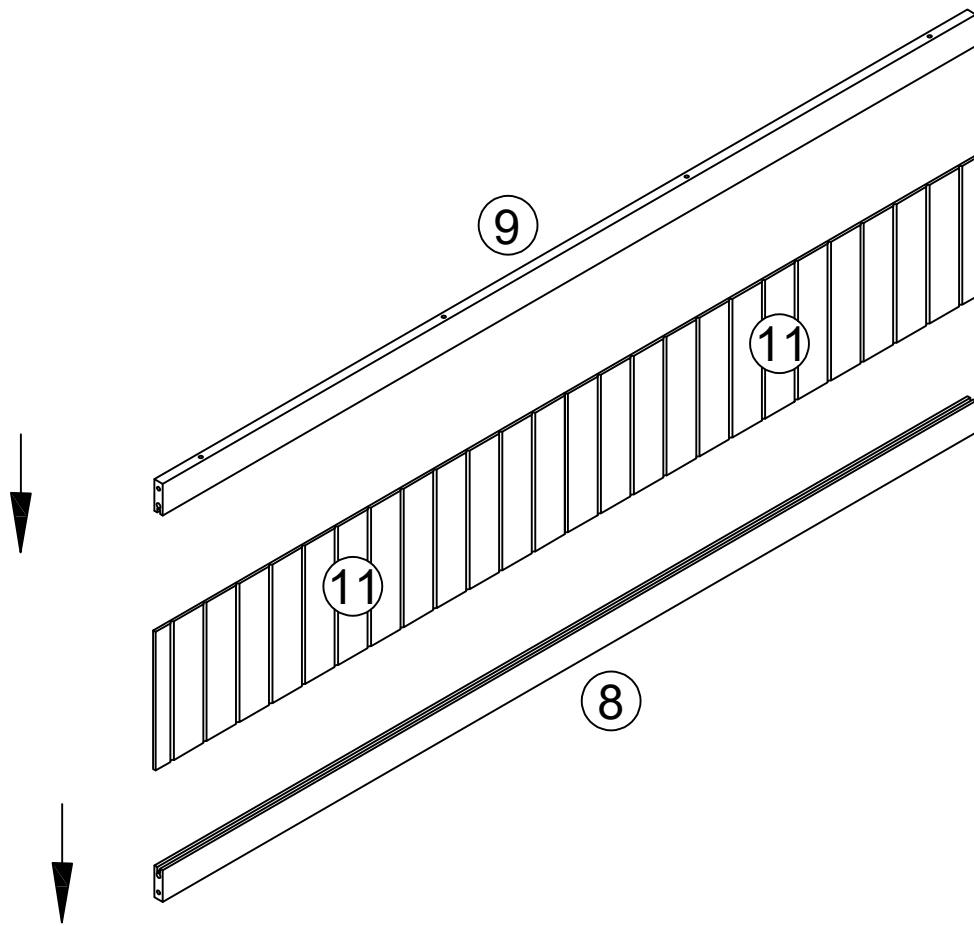


Step 4

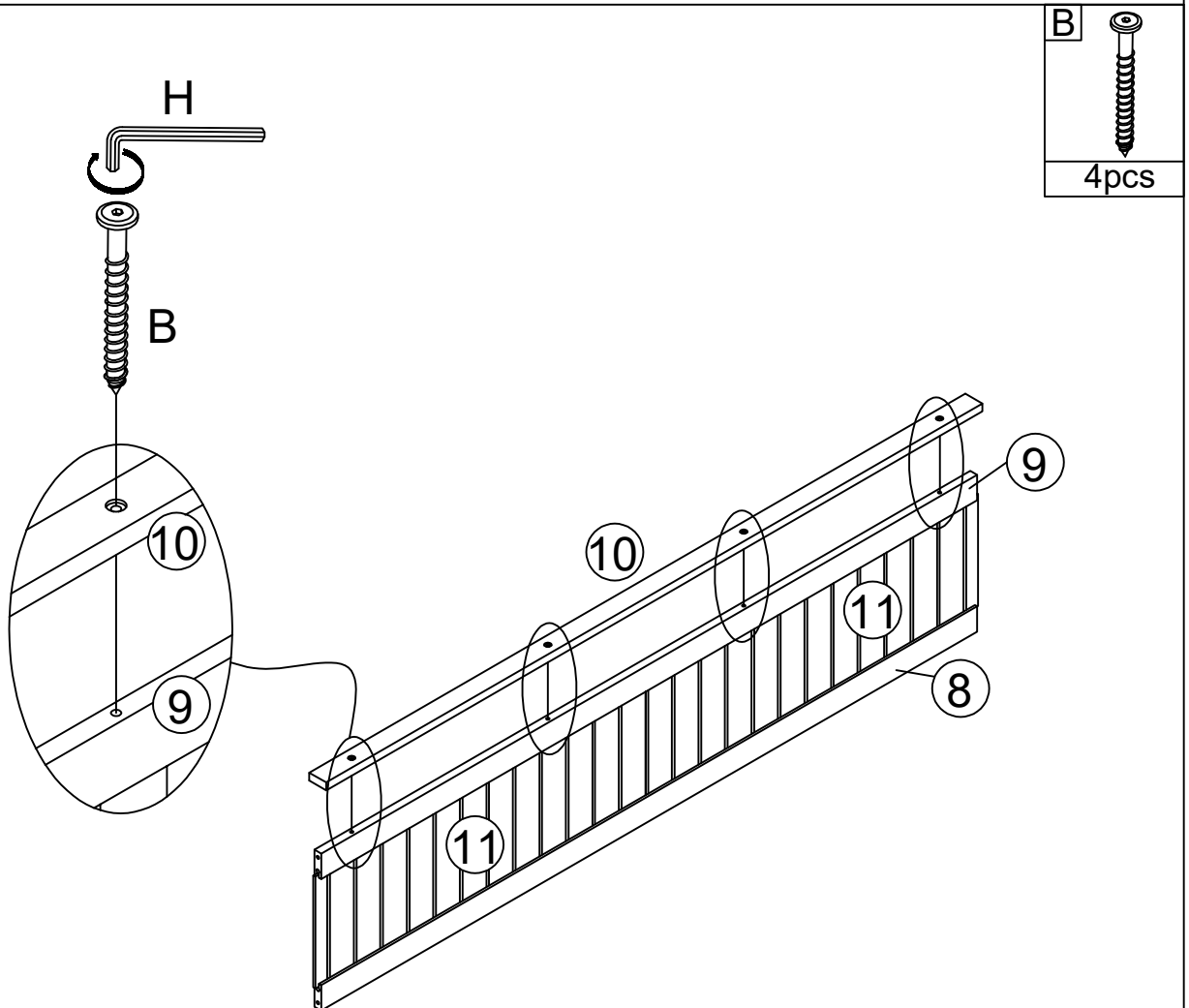
A		C	
	4pcs		4pcs



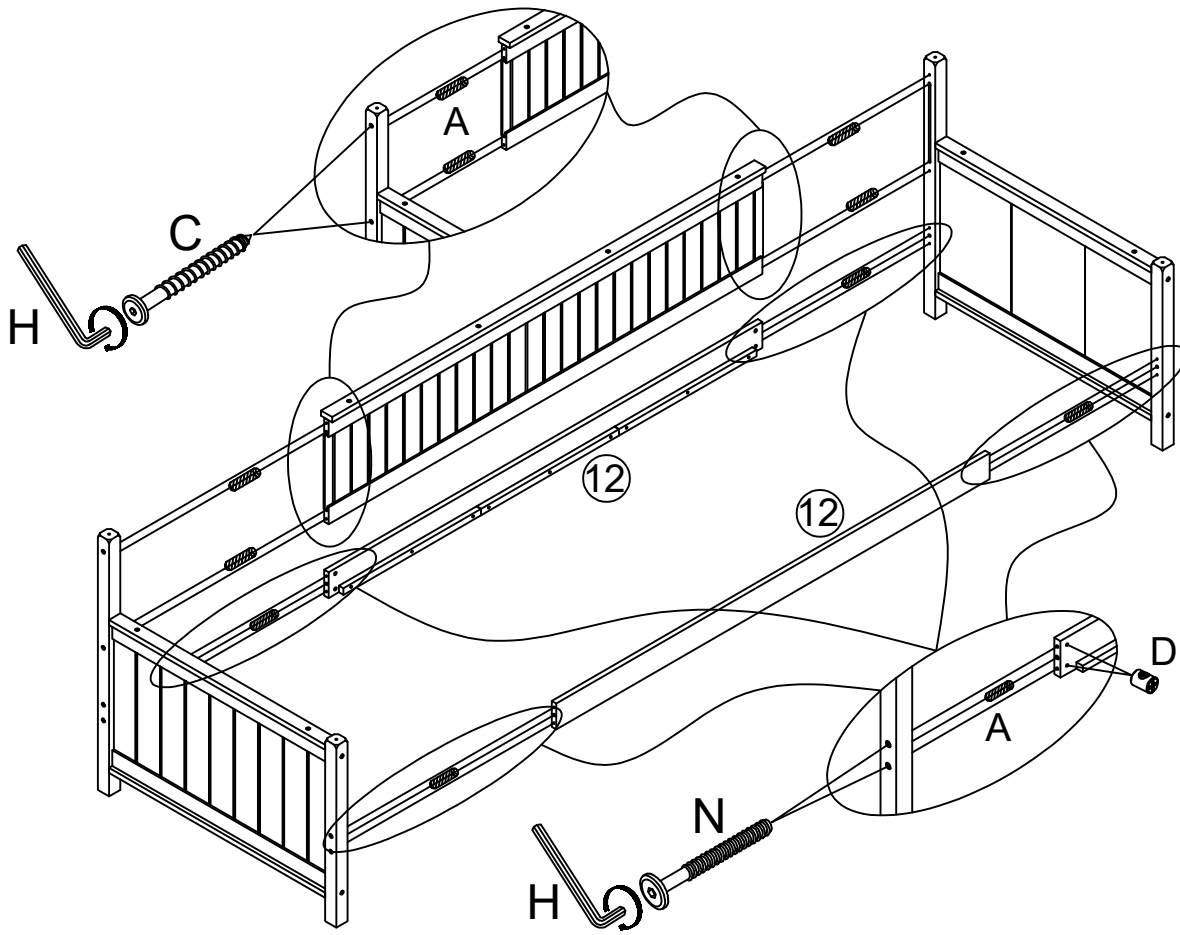
Step 5







Step 6

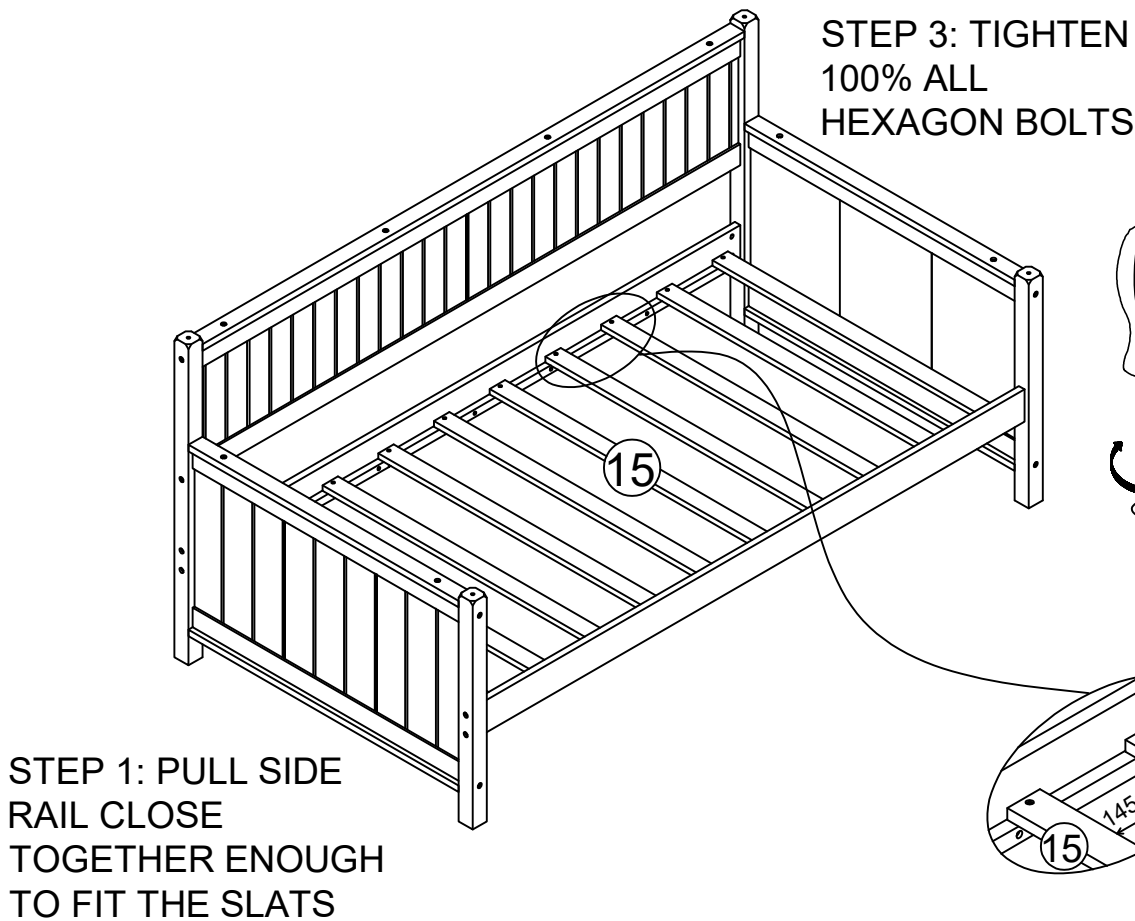



Step 7



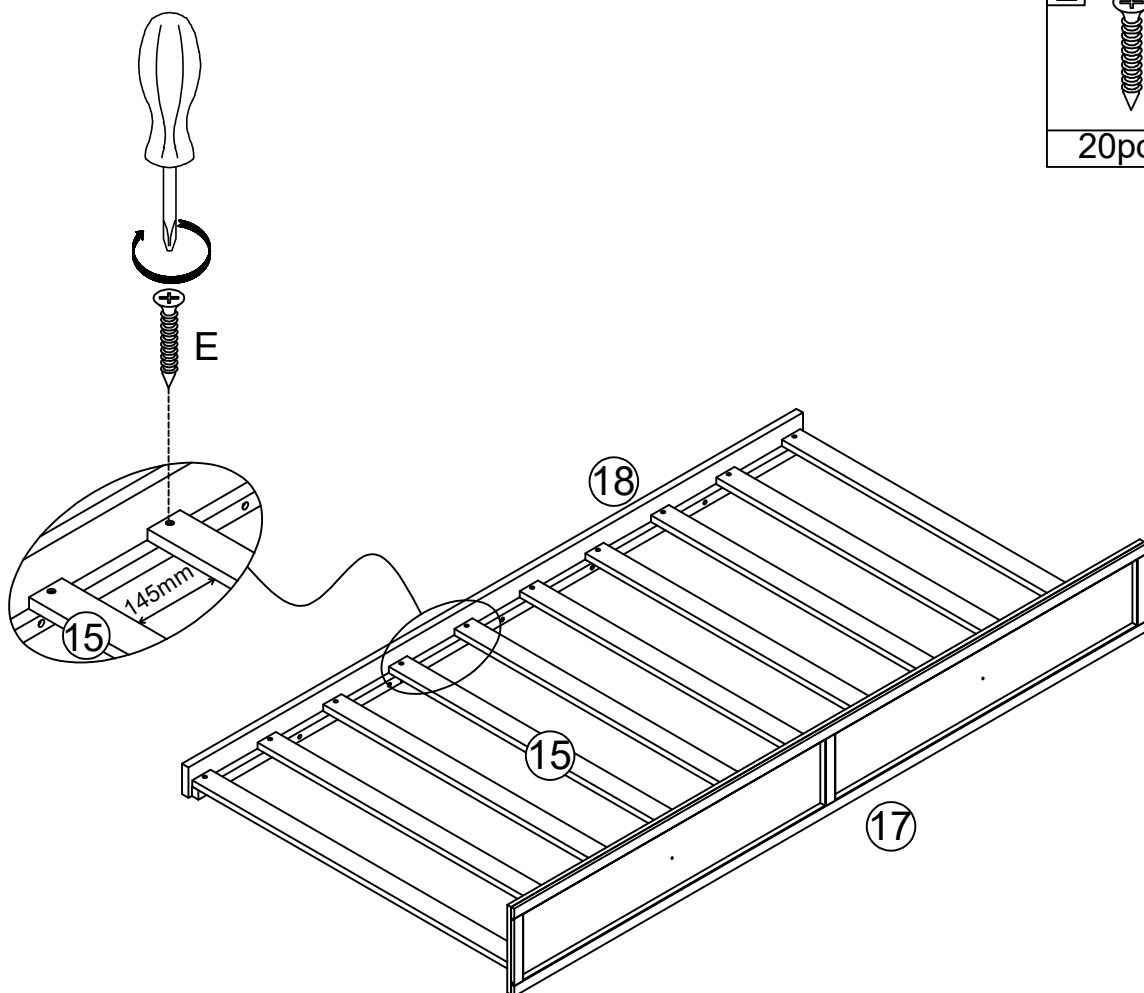
A		N	
8pcs		8pcs	
C		D	
4pcs		8pcs	

Step 8



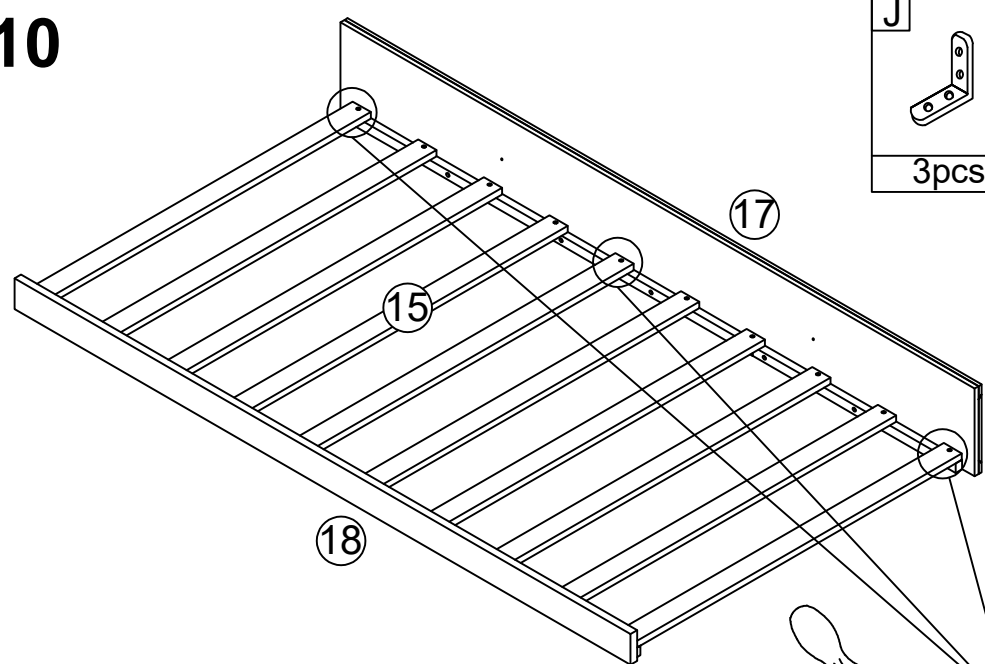
E	
20pcs	



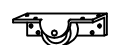
Step 9

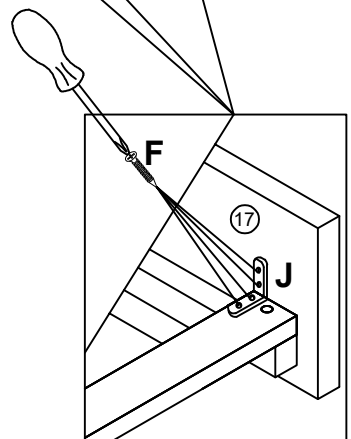
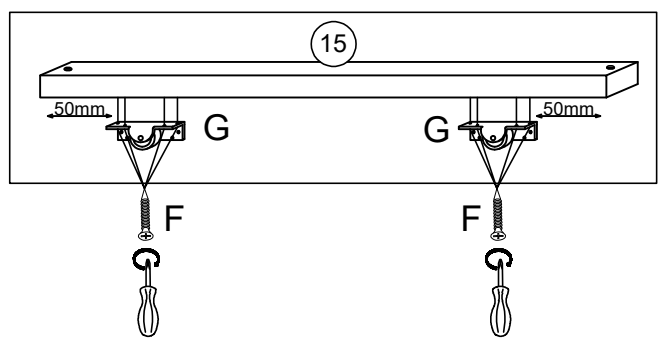


E
20pcs

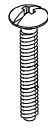

Step 10

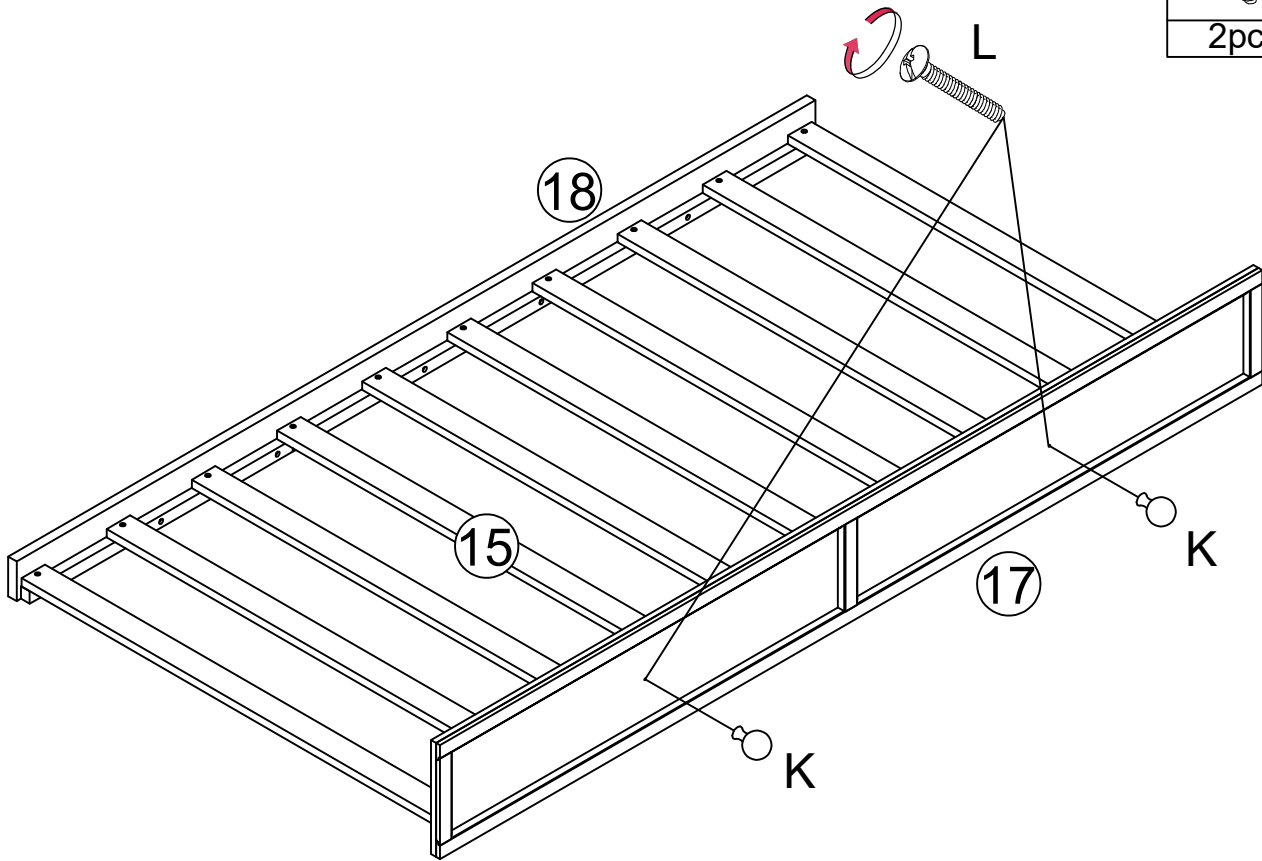


J 	F 	G 
3pcs	28pcs	4pcs

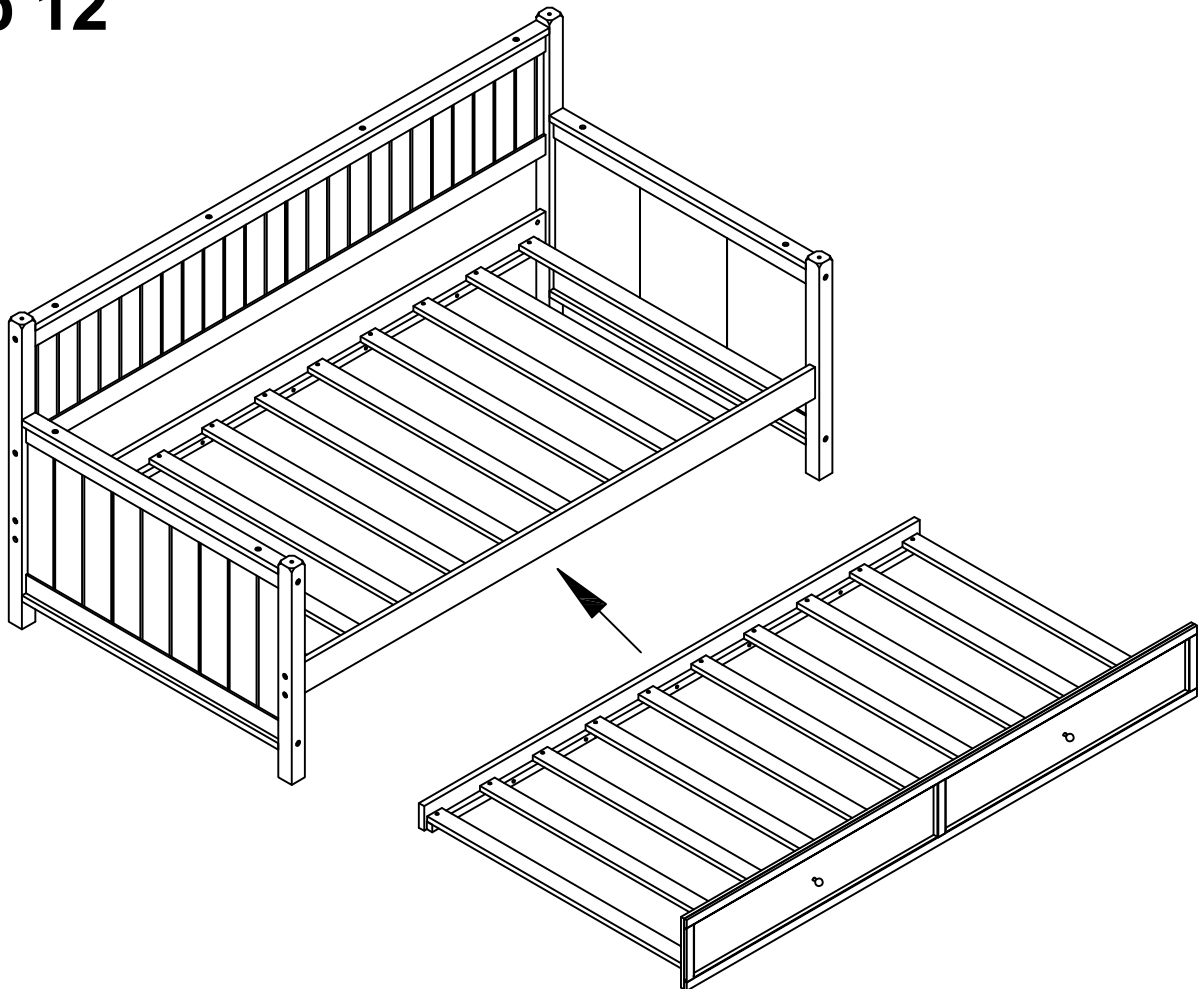


Step 11

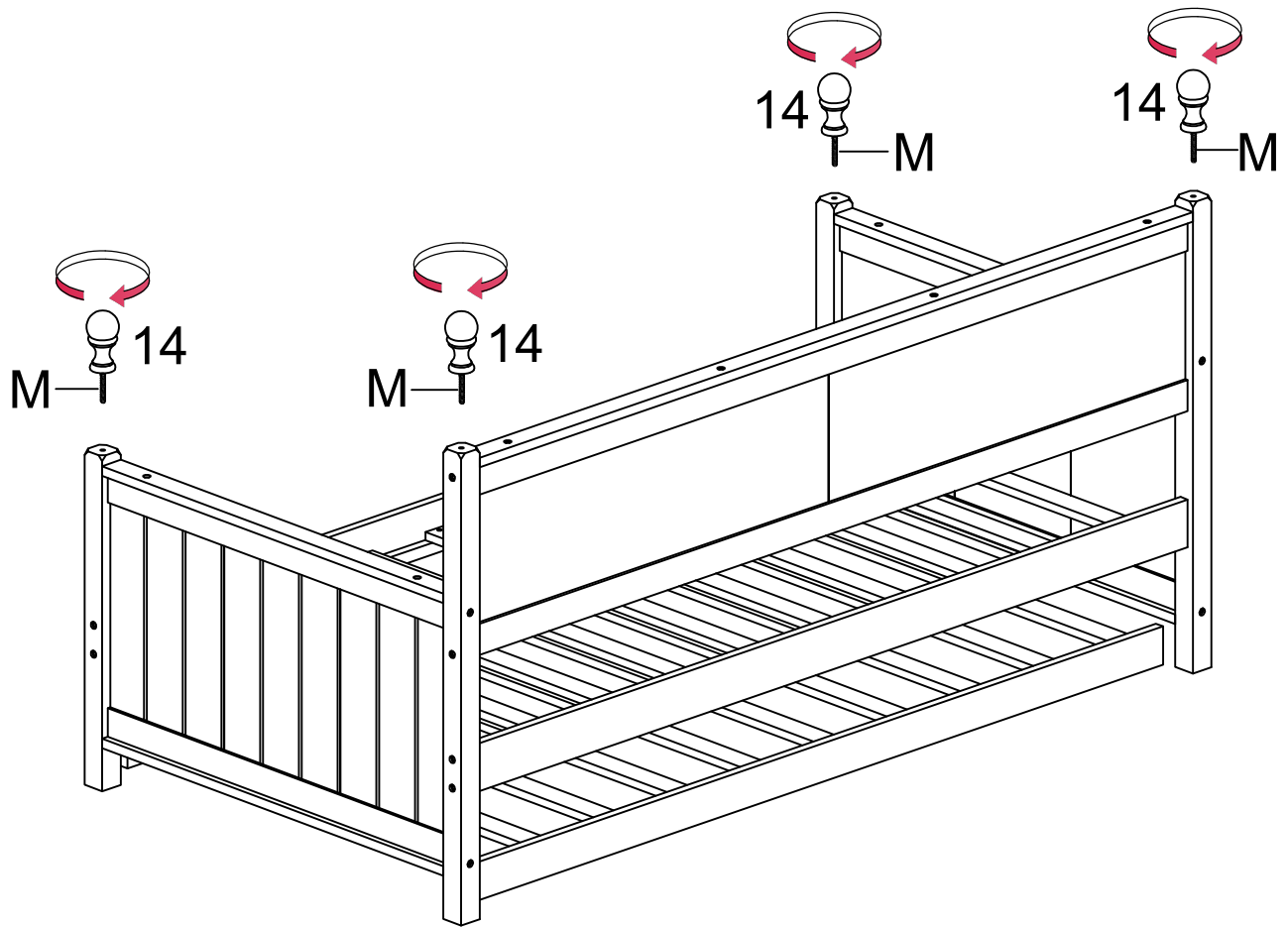
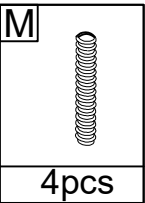
L		K	
	2pcs		2pcs



Step 12



Step 13



COMPLETED

