



see what Delta can do™

HYDRORAIN SHOWER HEAD WITH HAND SHOWER

- H₂Okinetic® 2-In-1 Shower
- 6-Spray Setting Hand Shower

FEATURES:

- Touch-Clean® Nozzles
- MagnaTite® Docking
- ProClean™ Spray Setting
- H₂Okinetic Technology® Hand Shower
- Certified Dual Check Valves
- Lumicoat™ Finish (-PR models only)
- Lumicoat™ Finishes easily wipe clean without cleaners and chemicals on the products most commonly touched areas

STANDARD SPECIFICATIONS:

- Max flow rate 1.75 gpm at 80 psi, 6.6 L/min @ 550 kPa (For 56000-▲, 56000-▲-PR)
- Max flow rate 2.5 gpm at 80 psi, 9.5 L/min @ 550 kPa (For 56000-▲25, 56000-▲-PR25)
- 60"~82" (1524~2083 mm) stretchable metal hose
- Integrated hand shower docks securely into shower head when not in use
- 3-Way diverter allows for single or shared operation of raincan and hand shower
- Change hand shower spray modes with easy turn dial
- Multiple hand shower spray settings - pause is a non-positive shut-off
- Spray settings include: full body spray, massaging spray, H₂Okinetic® PowerDrench® spray, Shampoo rinsing spray, pause & ProClean™ spray
- Raincan rotates 40° for adjustable coverage
- Ball connector swivel angle is 34° (17° per side)
- Fits standard 1/2"-14 NPT pipe fitting
- Lumicoat™ is not applied to the shower hose

WARRANTY

- Parts and Finish - Lifetime limited warranty; or for commercial purchasers, 10 years for multi-family residential (apartments and condominiums) and 5 years for all other commercial uses, in each case from the date the product is received by the original purchaser or their authorized representative (installation contractor, etc.).
- Electronic Parts and Batteries (if applicable) - 5 years from the date the product is received by the original purchaser or their authorized representative (installation contractor, etc.); or for commercial purchasers, 1 year from the date the product is received by the original purchaser or their authorized representative (installation contractor, etc.). No warranty is provided on batteries.
- Please go to www.deltafaucet.com for the complete details of our limited warranty.

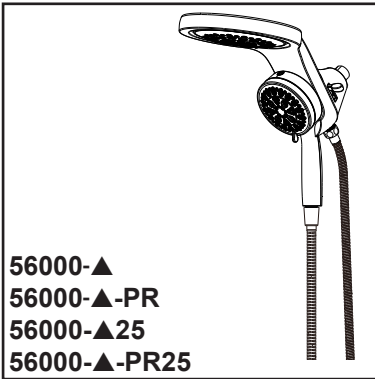


COMPLIES WITH:

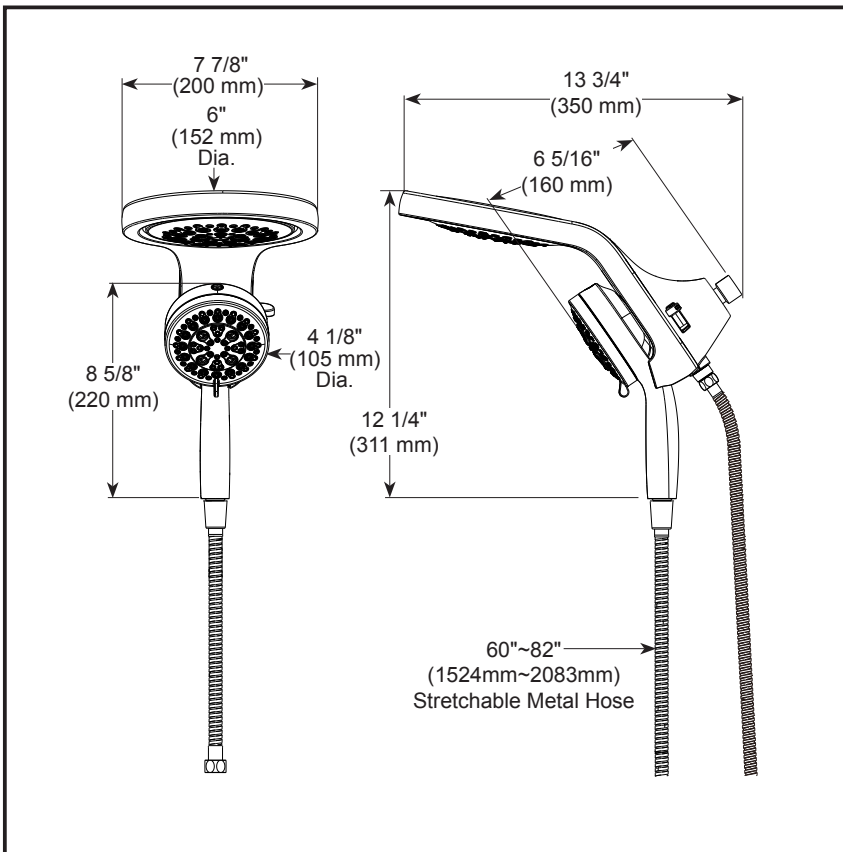
- ASME A112.18.1 / CSA B125.1◆
- ASME A112.18.3◆
- EPA WaterSense® - Applies to 56000-▲ & 56000-▲-PR only

Delta Faucet Company

55 E. 111th Street, Carmel, IN 46280
 350 South Edgeware Road, St. Thomas, ON N5P 4L1
 © 2024 Delta Faucet Company



56000-▲
 56000-▲-PR
 56000-▲25
 56000-▲-PR25



▲ Designate proper finish suffix

◆ Your Delta Faucet hand shower incorporates a backflow protection system that has been tested to be in compliance with ASME A112.18.3 and ASME A112.18.1/CSA B125.1. It incorporates two certified check valves in series, which operate independently and are integral, non-serviceable parts of the wand assembly.

Delta Faucet Company reserves the right (1) to make changes in specifications and materials, and (2) to change or discontinue models, both without notice or obligation. Dimensions are for reference only. See current full-line price book or www.deltafaucet.com for finish options and product availability.