

ASSEMBLY INSTRUCTIONS

AX1

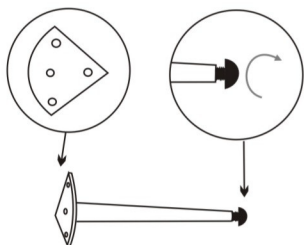


DX12

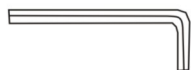


BX2

Front Leg

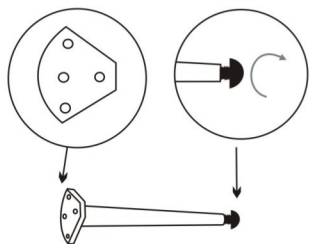


EX1

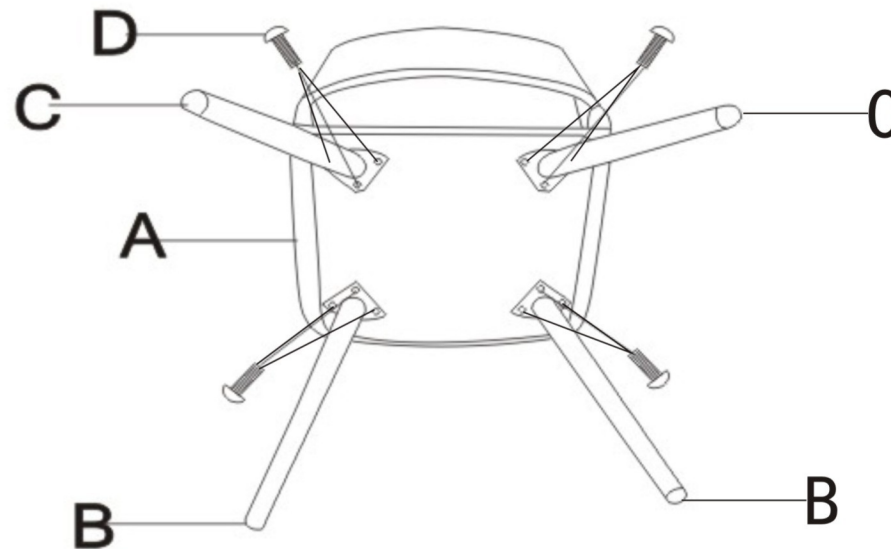


CX2

Back Leg



1



2



3

