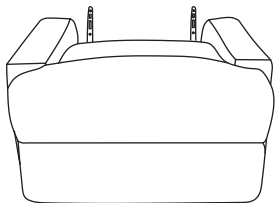


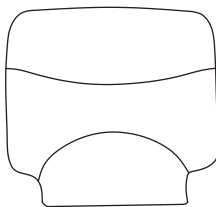
ASSEMBLY INSTRUCTION

1



1pc

2

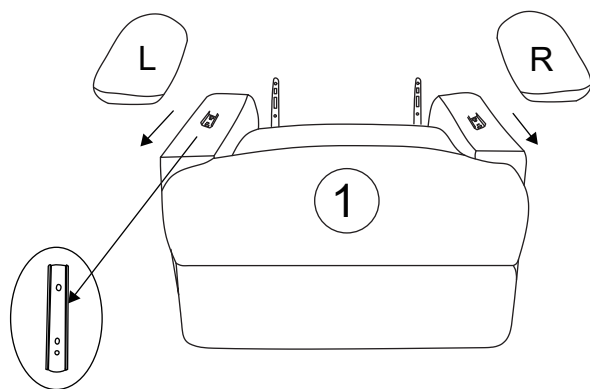


1pc

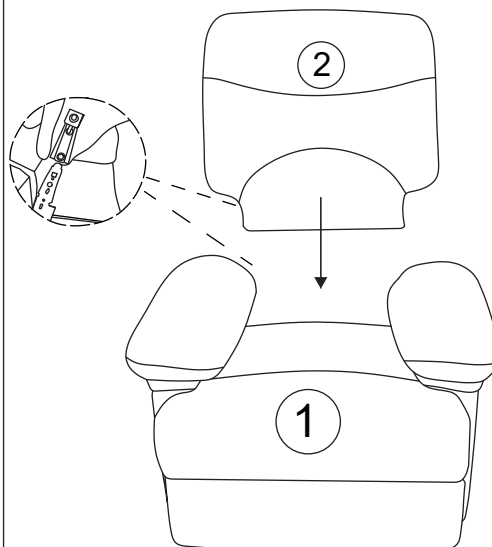
3



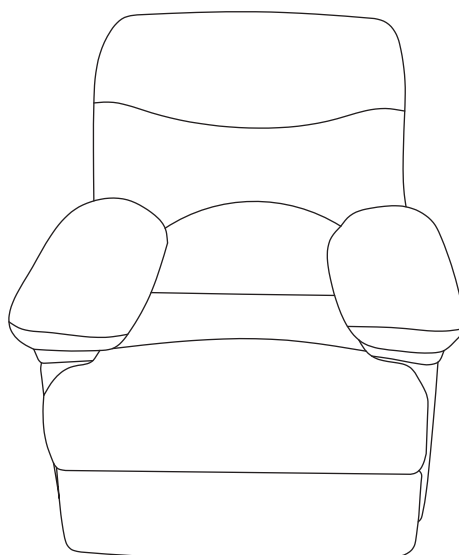
2pcs



Step 1



Step 2



Step 3