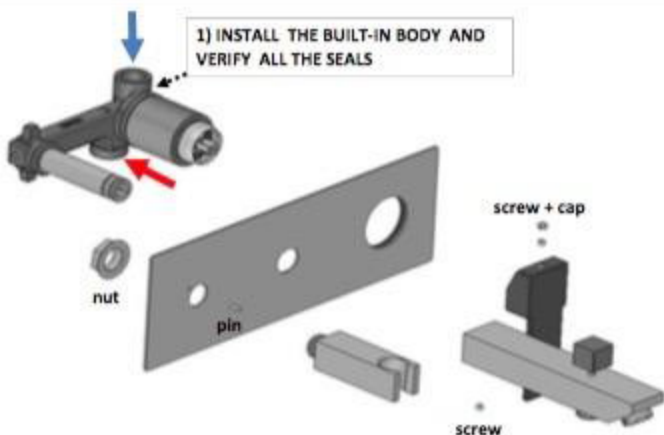
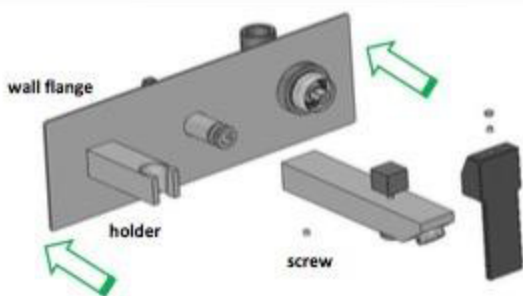


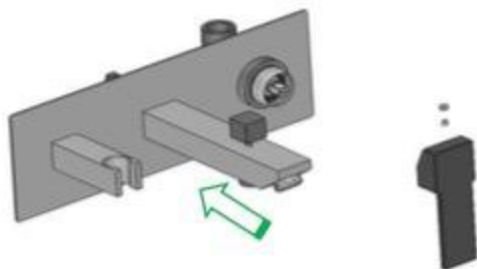
1) INSTALL THE BUILT-IN BODY AND
VERIFY ALL THE SEALS



2) FIX THE HANDSHOWER HOLDER ON THE WALL FLANGE AND FIT THE
WALL FLANGE ON THE BUILT-IN



4) PUT THE SPOUT ON THE BODY CONNECTION AND
FIX IT WITH THE SCREW



5) PUT THE HANDLE ON THE CARTRIDGE ROD AND VERIFY
ALL THE SEALS AND THE FUNCTIONALITY OPENING THE
FLOW AND USING THE DIVERTER

