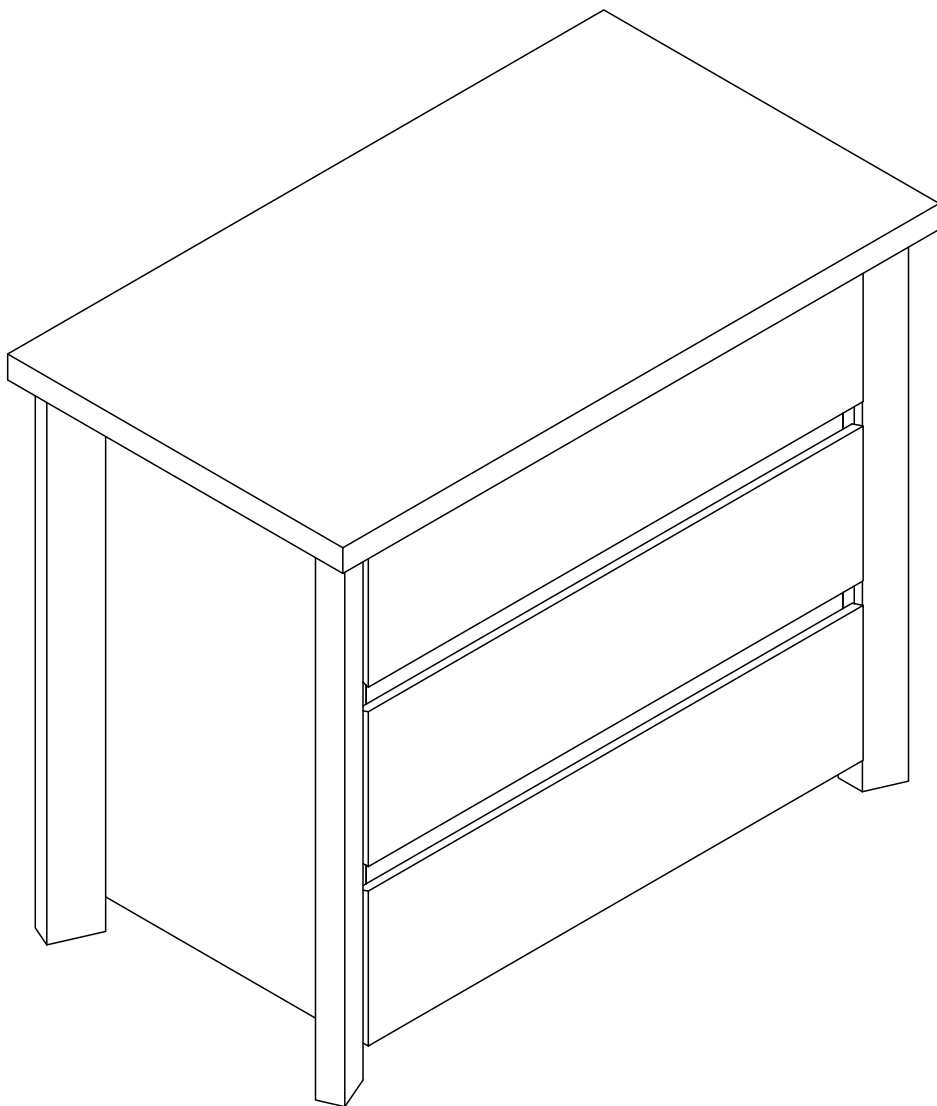


Assembly Instructions

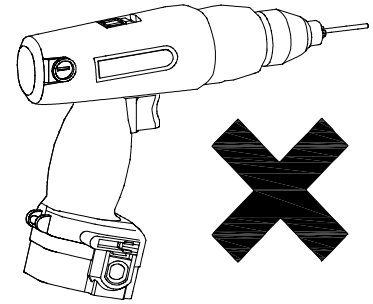
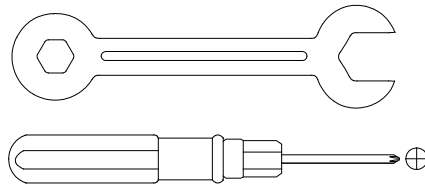
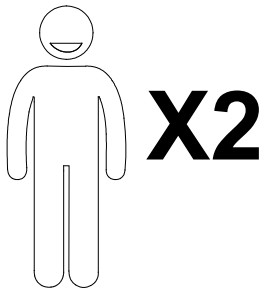


Nightstand

Your satisfaction is our top priority. If you encounter any issues with this product, such as missing or damaged parts, we're here to help. Please retain the original packaging and take photos of the packaging and the product, then contact us as soon as possible.

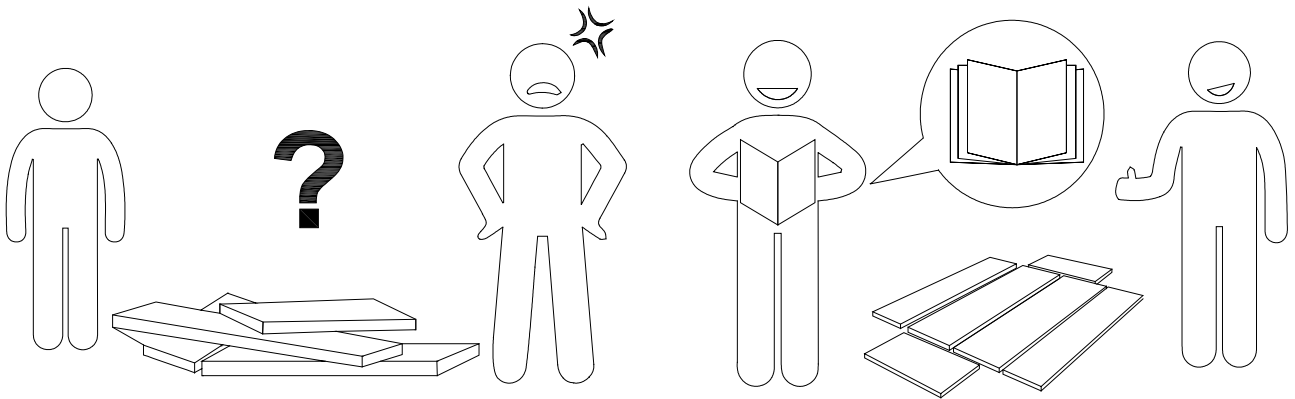
Warm Tips

1. Carefully read these instructions and keep them for future reference.
2. Check the parts list and confirm everything's there before starting assembly.
3. When assembling, put all parts on a soft, smooth surface like a carpet to avoid scratches.
4. Don't fully tighten screws until all parts are confirmed in place to avoid misalignment.



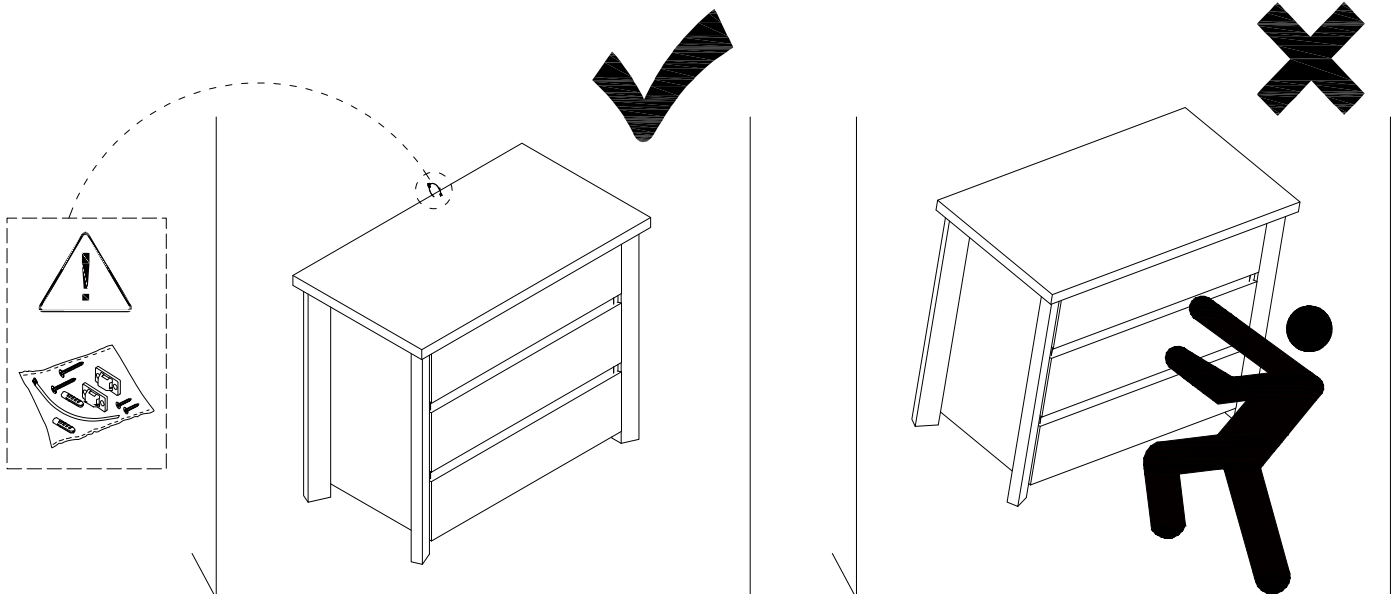
We recommend using hand tools for assembly.

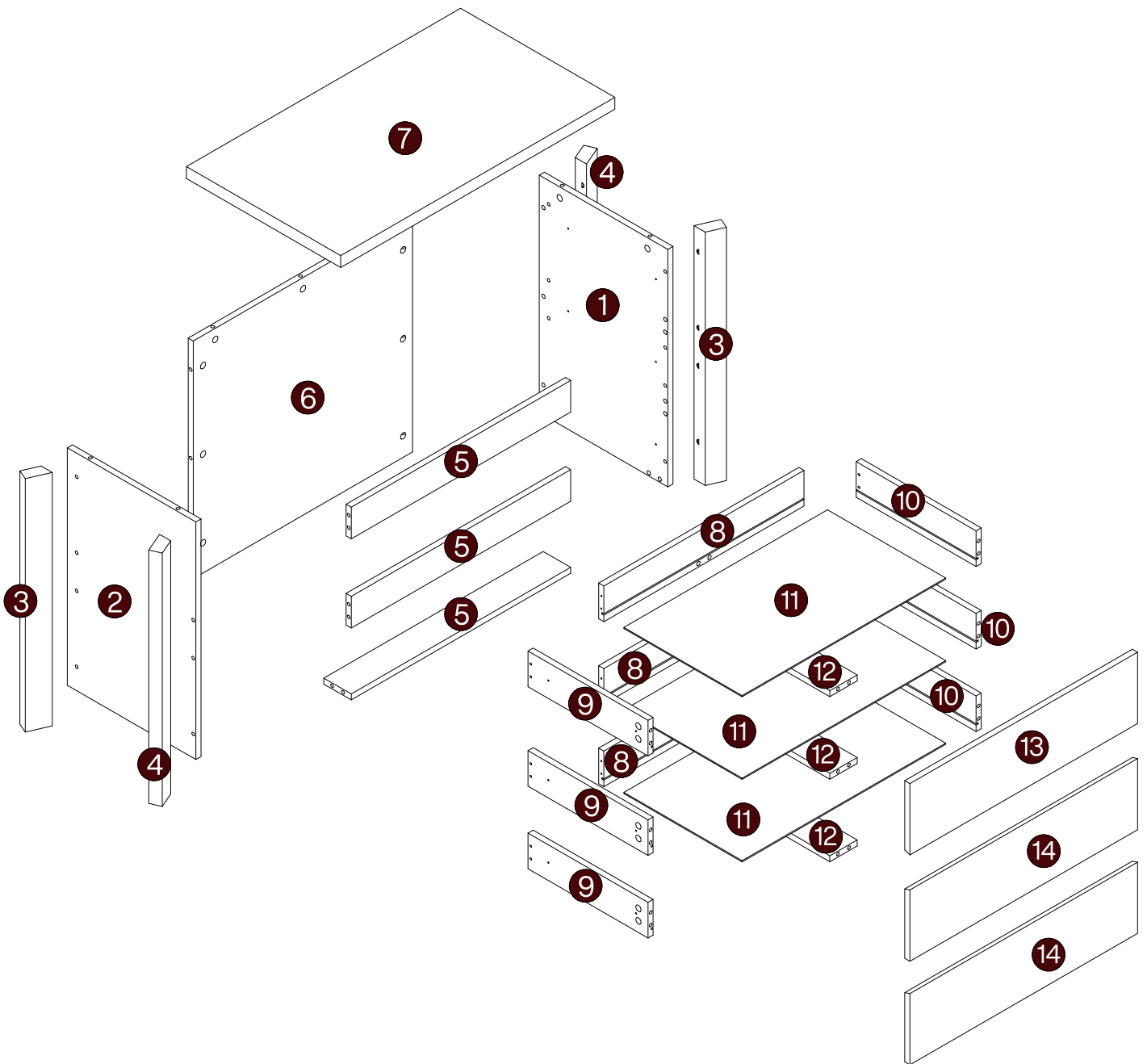
If an electric screwdriver is used, reduce power and torque to avoid damage to the product.



Install the Anti-Tip Straps

Using the anti-tip straps can reduce the risk of tipping over, but can not eliminate it.

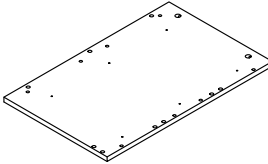
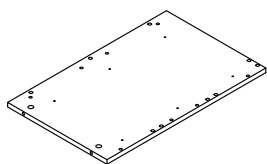
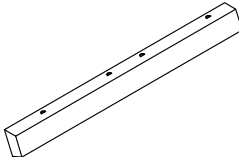
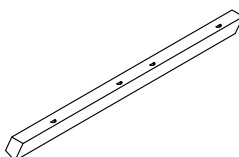
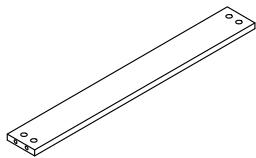
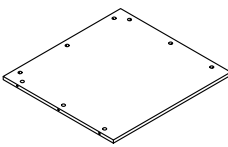
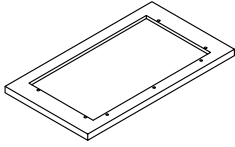
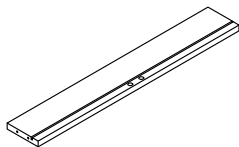
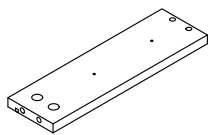
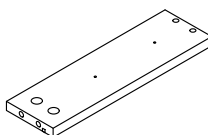
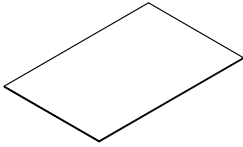
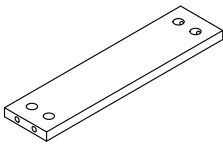
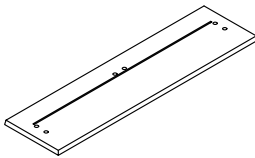
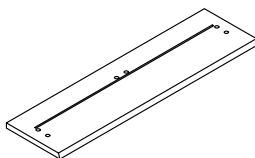




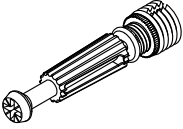
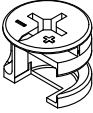
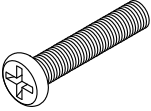
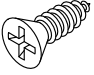
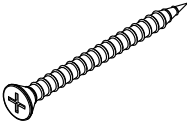
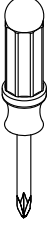
⚠ Caution




Make sure all parts are included. Most board parts are labeled or stamped on the raw edge. Contact us for a free replacement if you encounter any damaged or missing parts.

Parts List

<p>1</p>  <p>1 pc</p>	<p>2</p>  <p>1 pc</p>	<p>3</p>  <p>2 pcs</p>	<p>4</p>  <p>2 pcs</p>	<p>5</p>  <p>3 pcs</p>
<p>6</p>  <p>1 pc</p>	<p>7</p>  <p>1 pc</p>	<p>8</p>  <p>3 pcs</p>	<p>9</p>  <p>3 pcs</p>	<p>10</p>  <p>3 pcs</p>
<p>11</p>  <p>3 pcs</p>	<p>12</p>  <p>3 pcs</p>	<p>13</p>  <p>1 pc</p>	<p>14</p>  <p>2 pcs</p>	

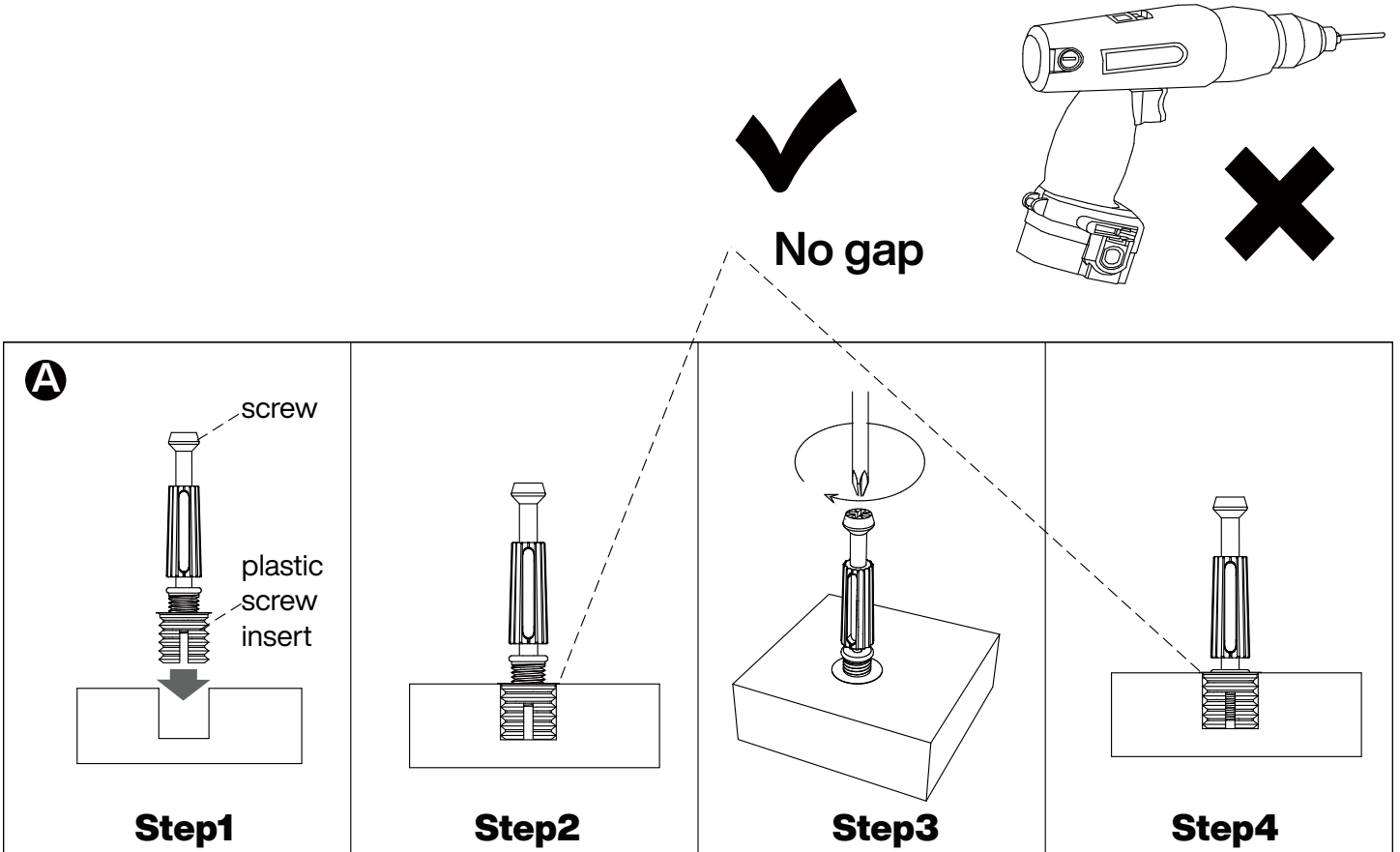
Hardware List

A	B	C	D	E	F
 M6x40mm	 Ø15x12mm	 M6x25mm	 Ø3.5x14mm	 Ø3.5x35mm	 1 pcs
49 pcs	49 pcs	16 pcs	24 pcs	12 pcs	1 pcs

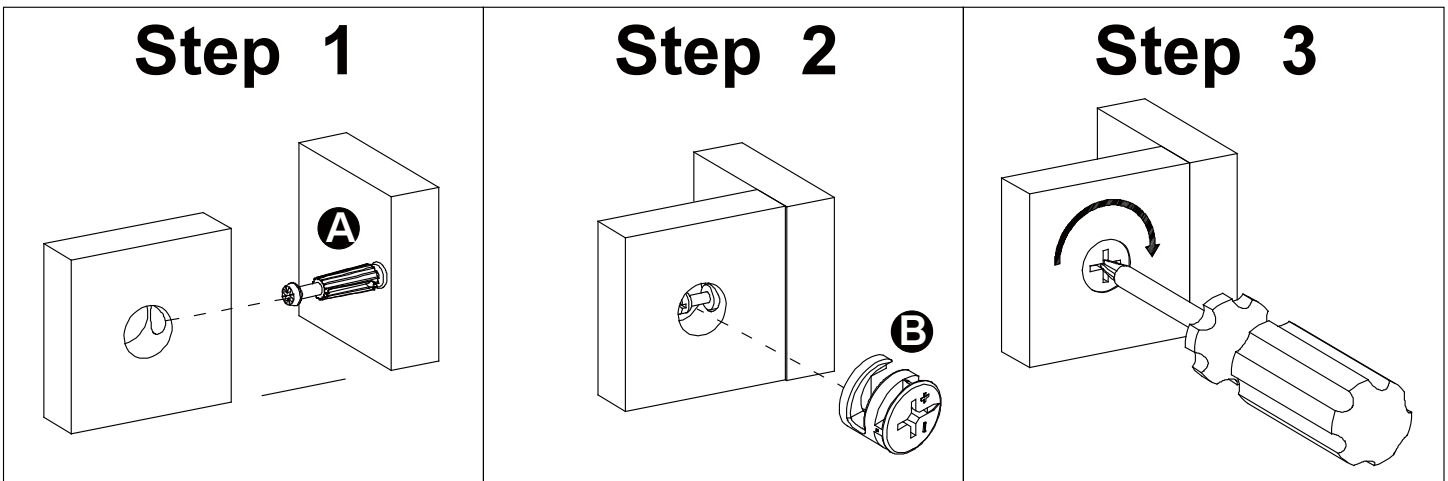
G	H	I	J	K	L
 4 pcs	 14" 3 sets	 1 pc			
4 pcs	3 sets	1 pc			

Installation of Cams and Pins

Step 1-2: Align the plastic part with the mounting hole and press it in. If you can't press it in, loosen the screw counter clockwise or completely remove the screw from the plastic part and try again.
Step 3-4: After pressing the plastic part into place, use a screwdriver to tighten the screw clockwise.



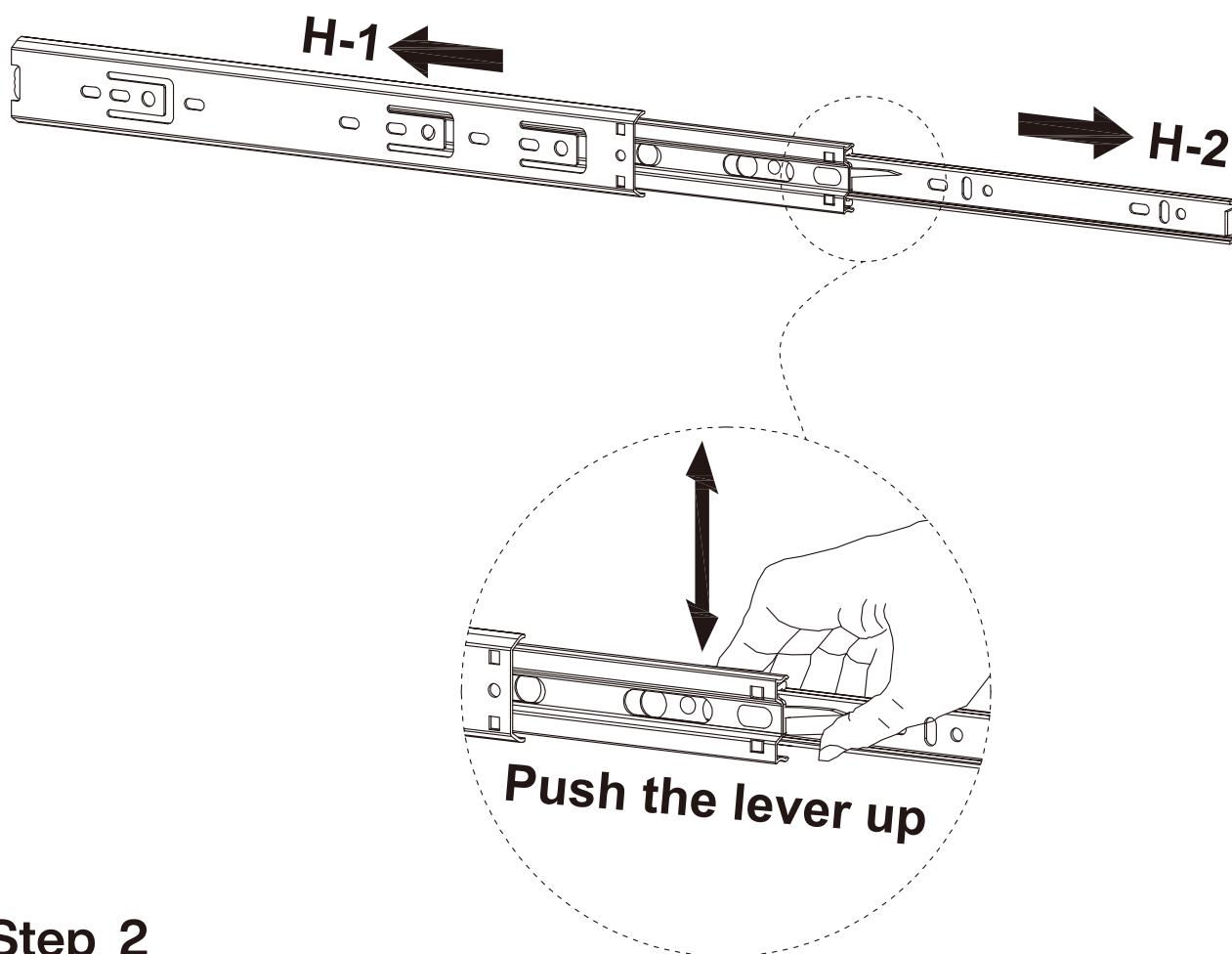
Screw the pin into the hole. Set the cams correctly by aligning the head of the cams with the lock pins. Lock the cam by turning the cam head with a screwdriver until it is tightened. Please do not use an electric screwdriver to assemble the unit.



Please split component "H" into "H-1" and "H-2" before assembling the slide rail component, and then proceed to the next step of assembly

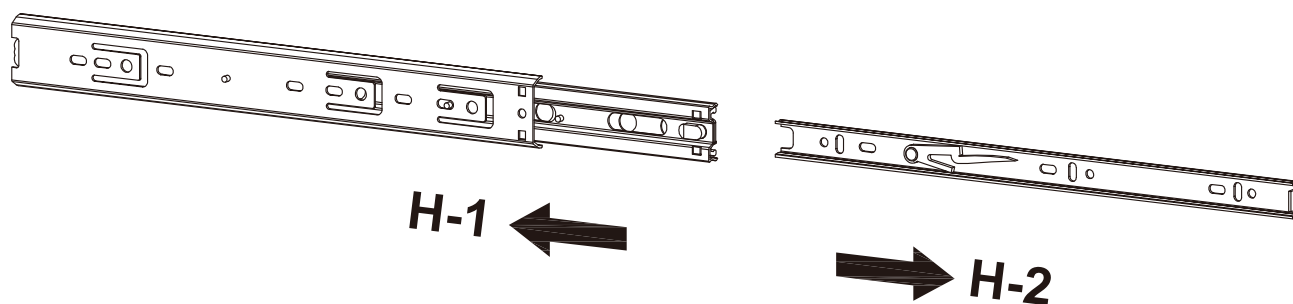
Step 1

Pull apart component "H" to each side, and then gently push up the lever of component "H-2"

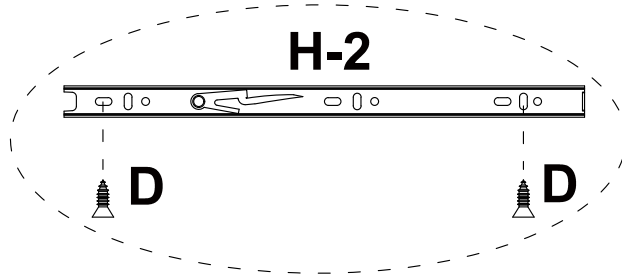


Step 2

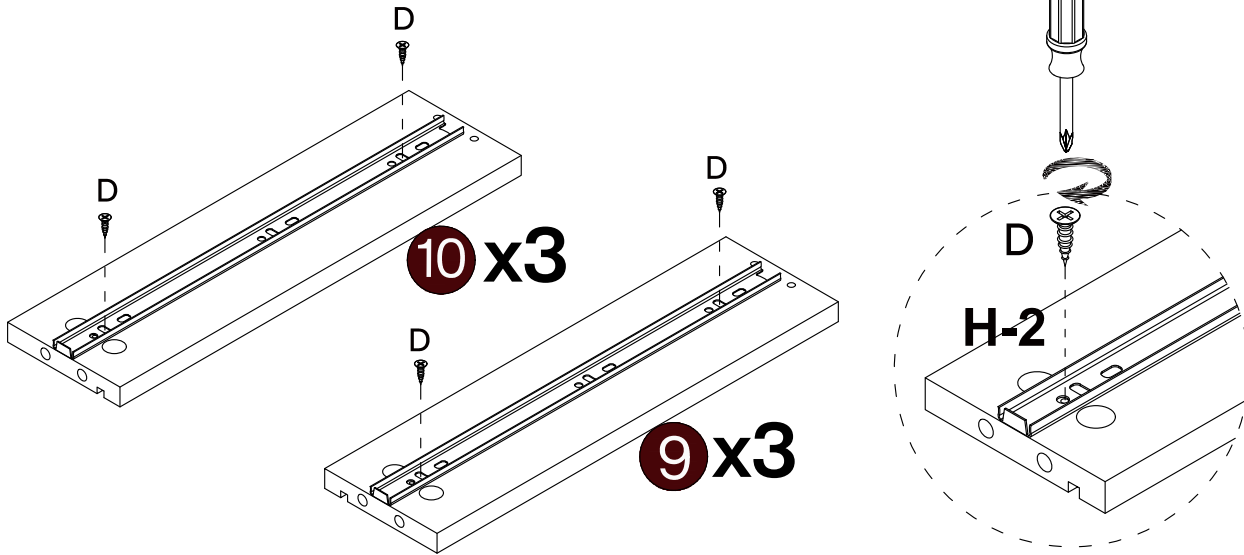
Split component "H-1" and "H-2"



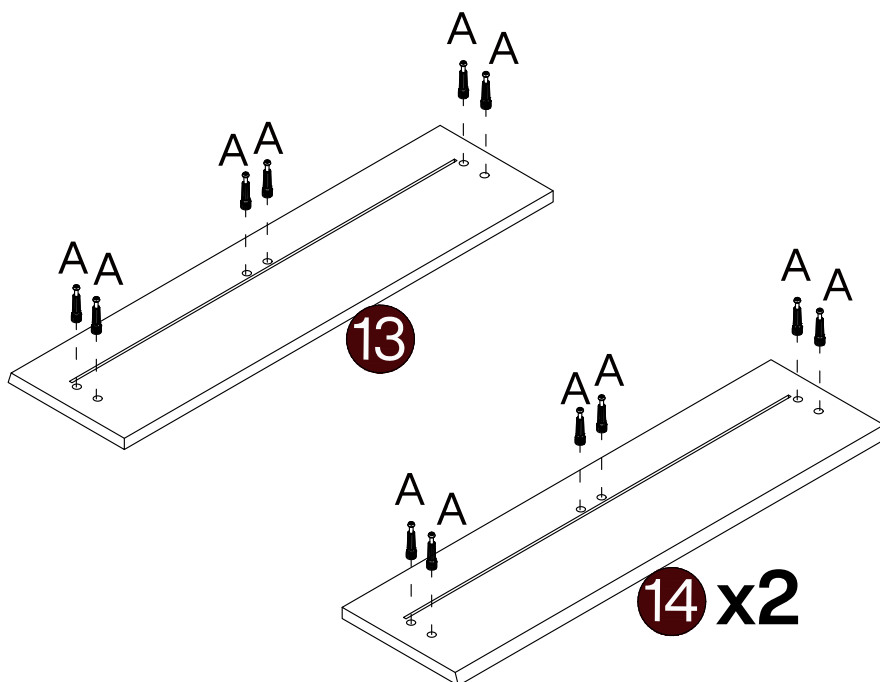
1



H-2	D
	 Ø3.5x14mm
3sets	12pcs

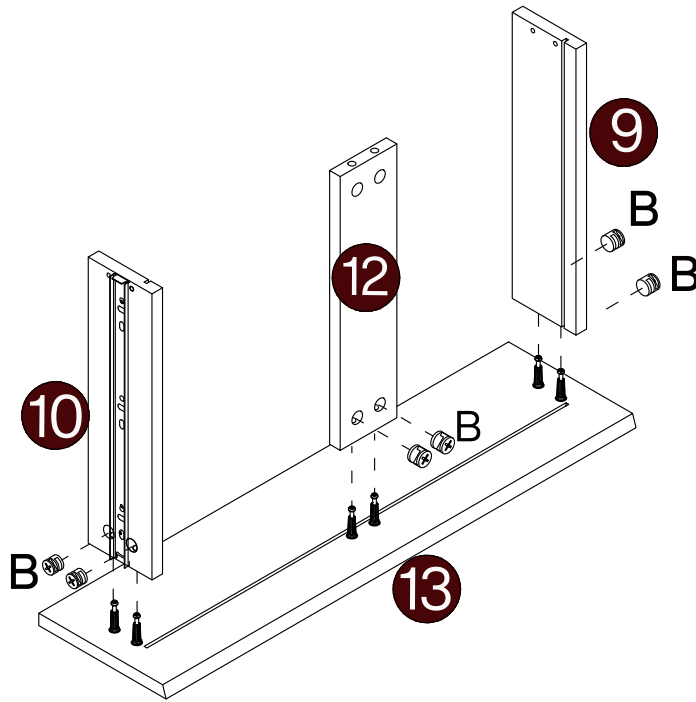
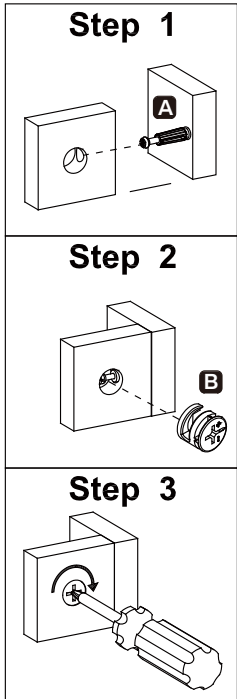



2



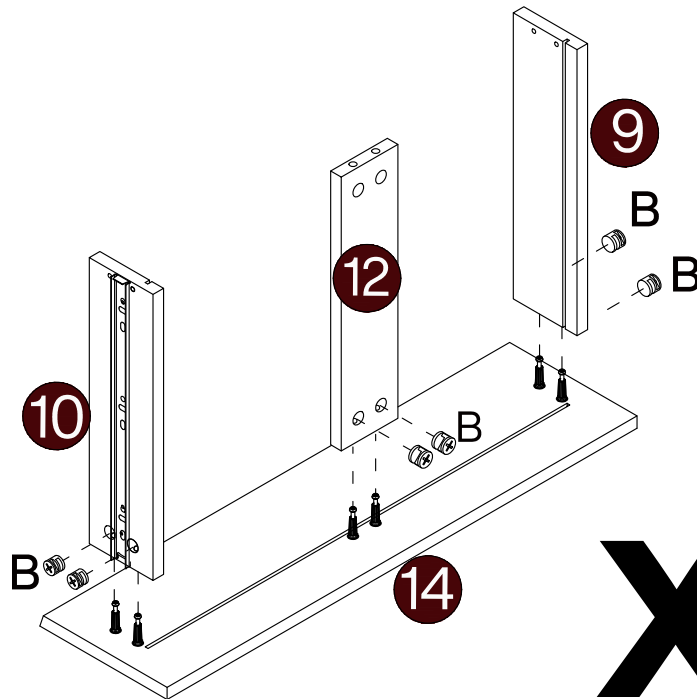
A
 M6x40mm
18 pcs


3



B

Ø15x12mm
6 pcs

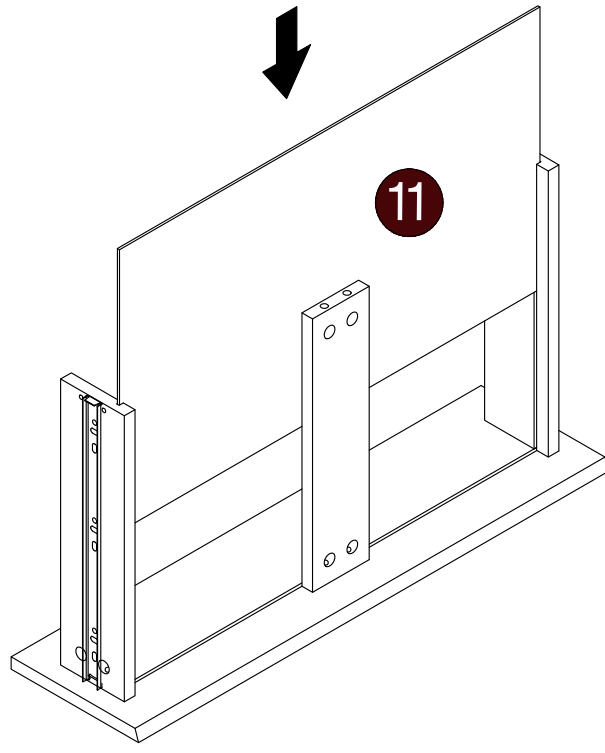
4



B

Ø15x12mm
12 pcs

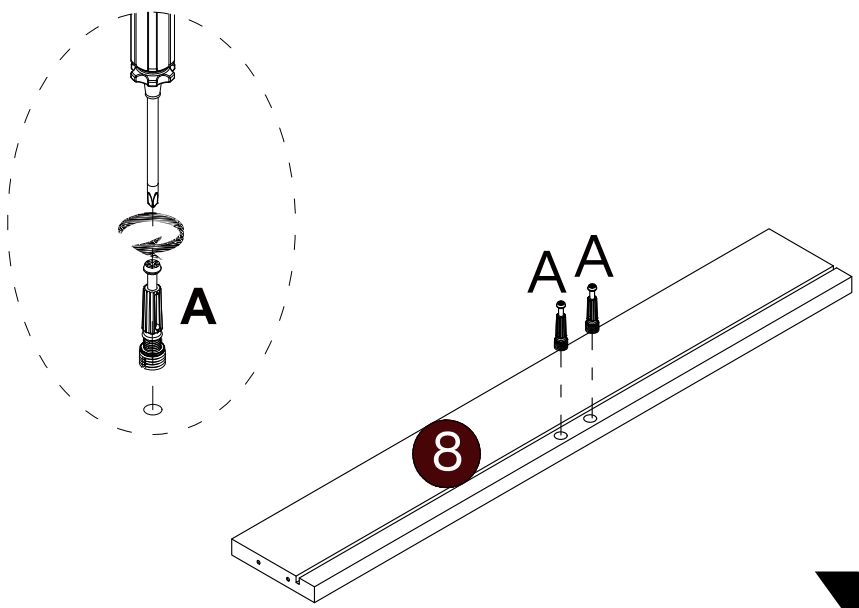
x2


5



x3


6

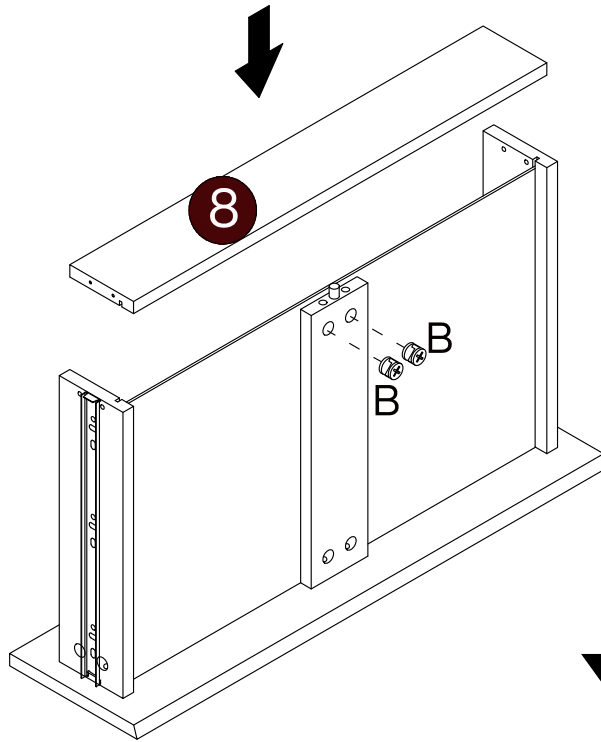
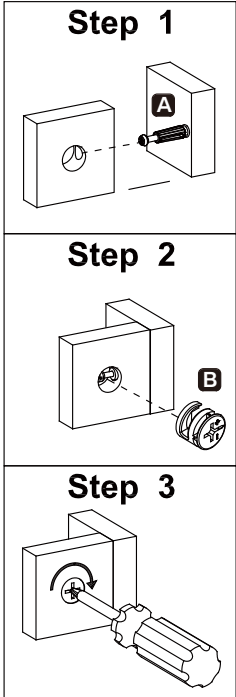


A

M6x40mm
6 pcs

x3


7

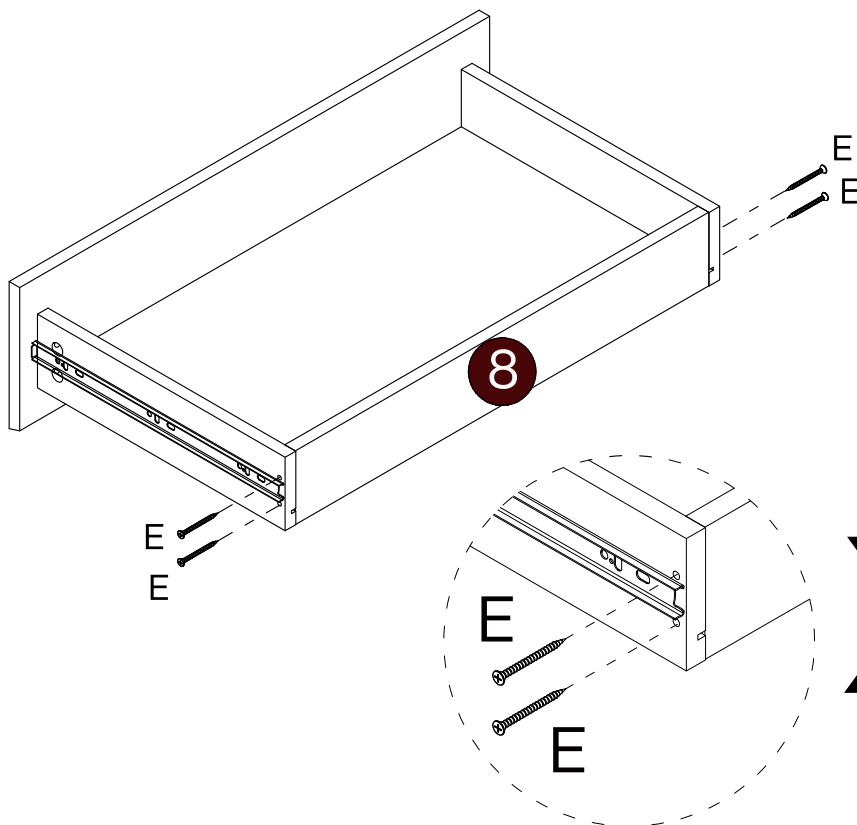
B

Ø15x12mm
6 pcs



x3

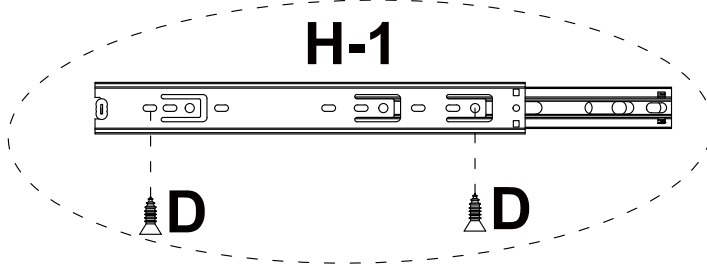
8

E

Ø3.5x35mm
12 pcs

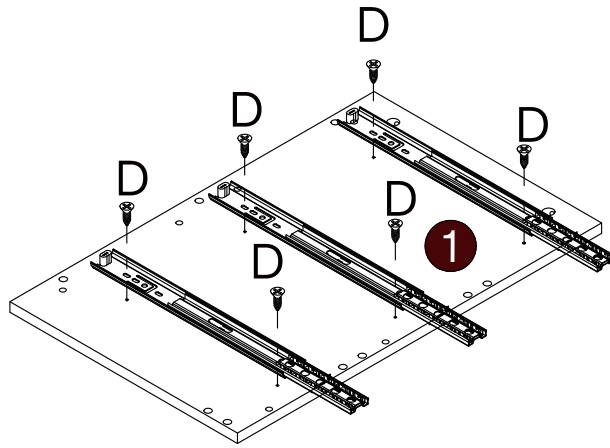
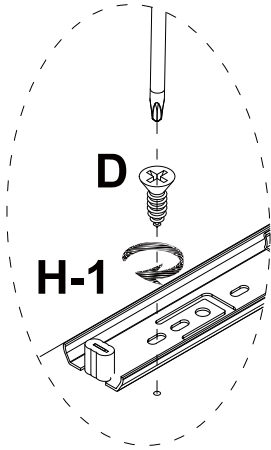


x3

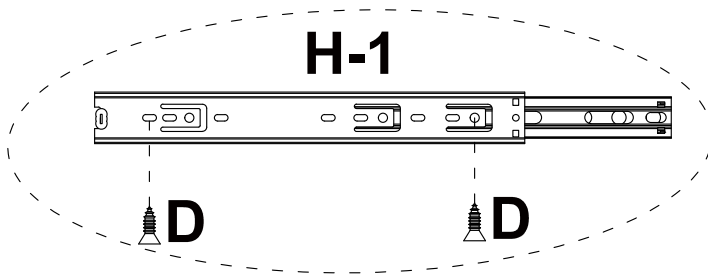
9



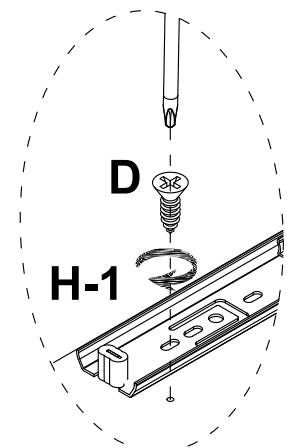
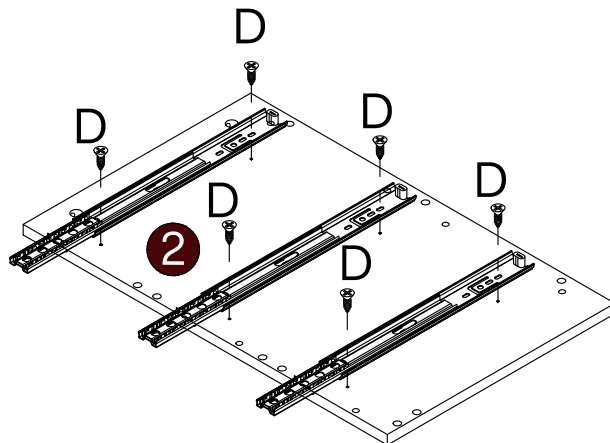
H-1	D
	 Ø3.5x14mm
3 pcs	6 pcs



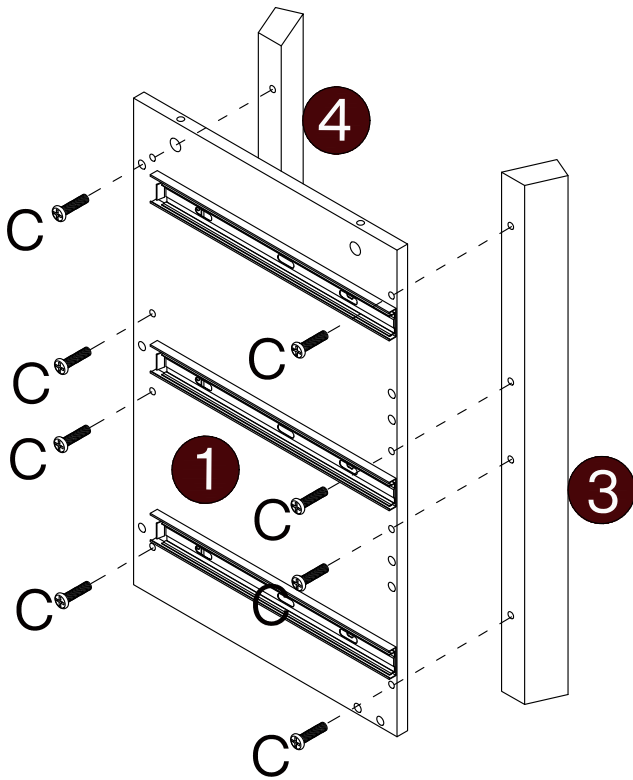
10



H-1	D
	 Ø3.5x14mm
3 pcs	6 pcs



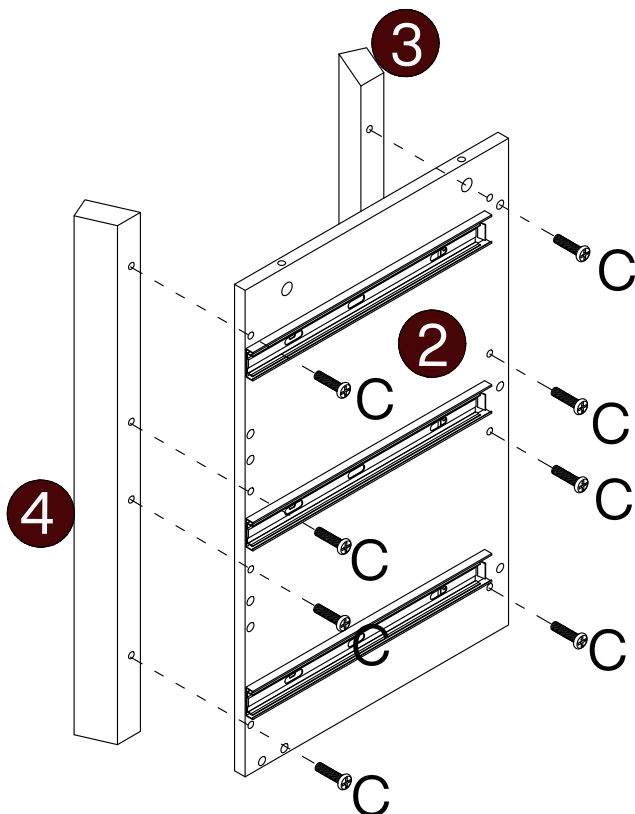
11

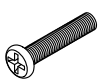


C

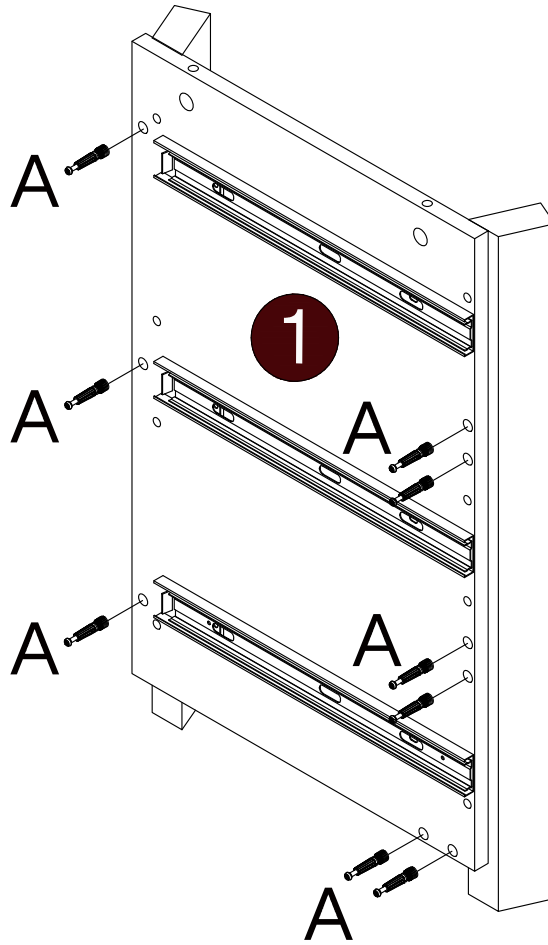
M6x25mm
8pcs


12

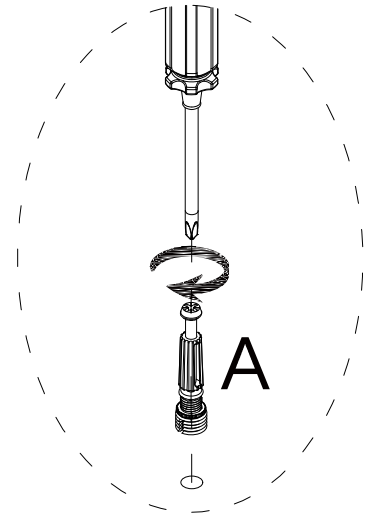


C

M6x25mm
8pcs

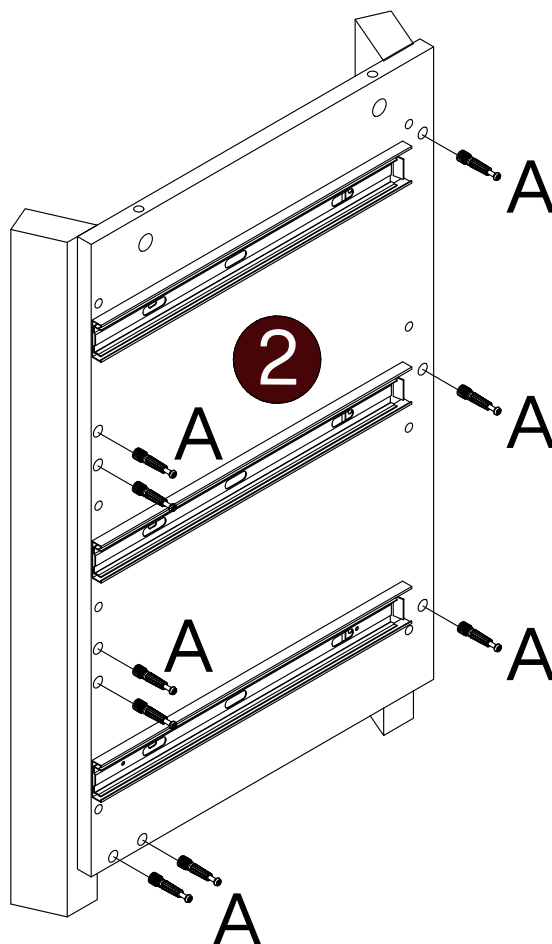
13




A

M6x40mm
9pcs

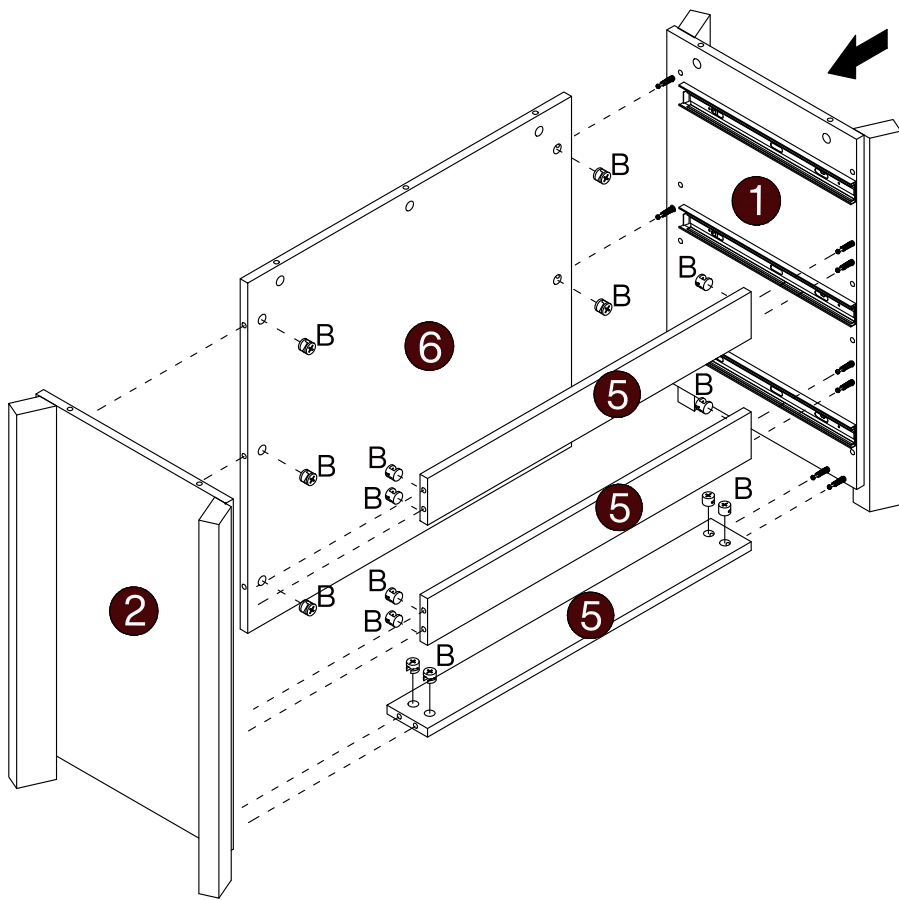


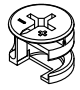
14



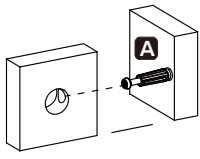
A

M6x40mm
9pcs

15

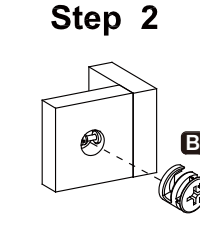


B

Ø15x12mm
18 pcs

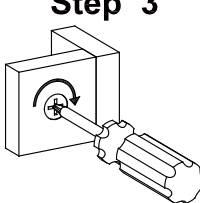
Step 1



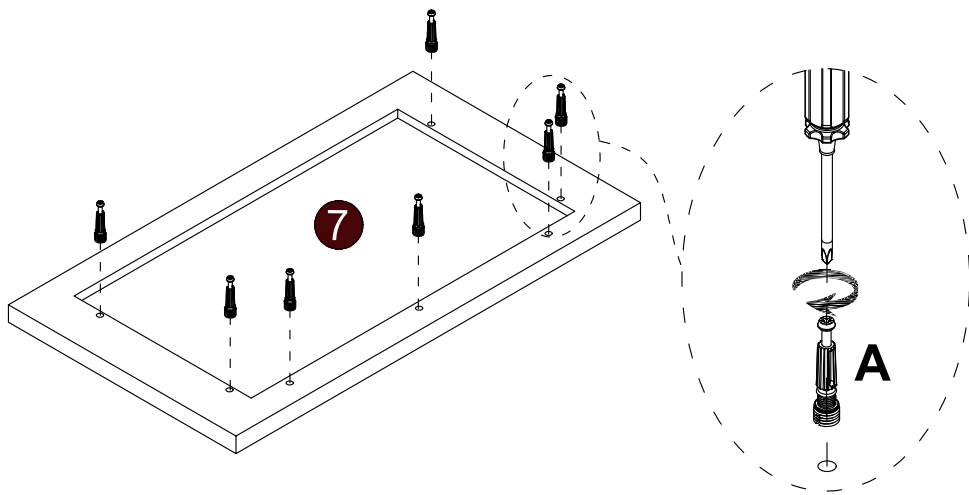
Step 2




Step 3




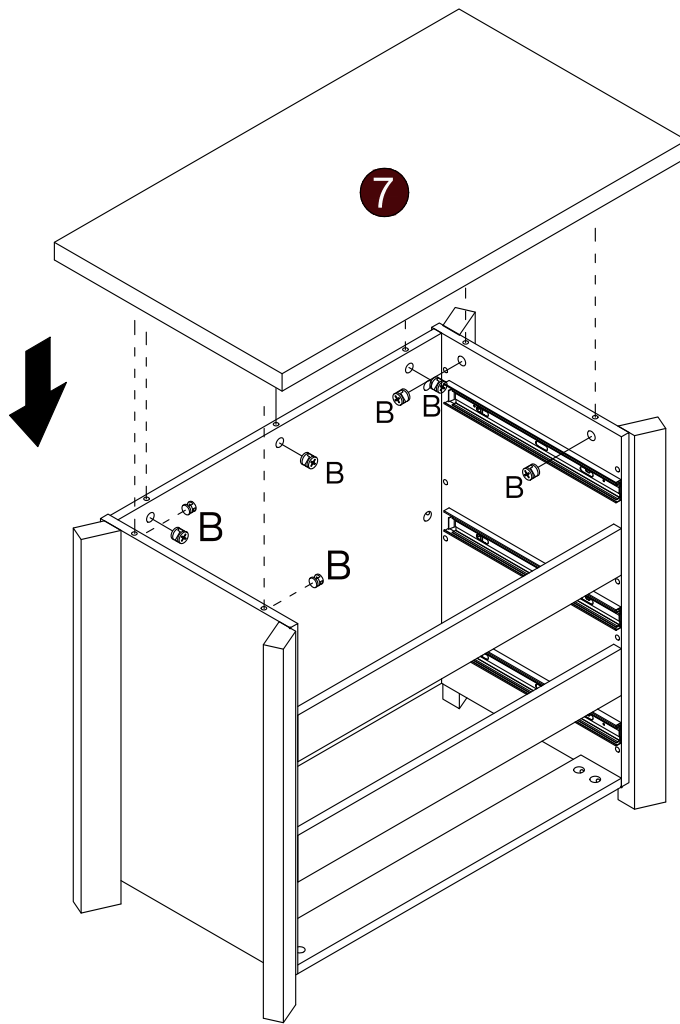
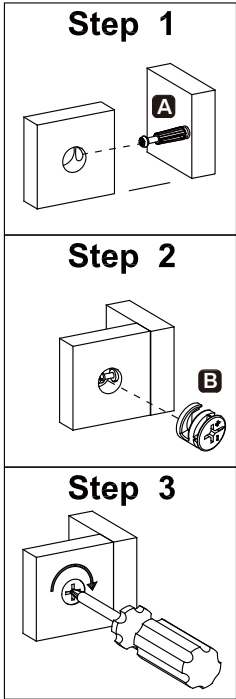
16



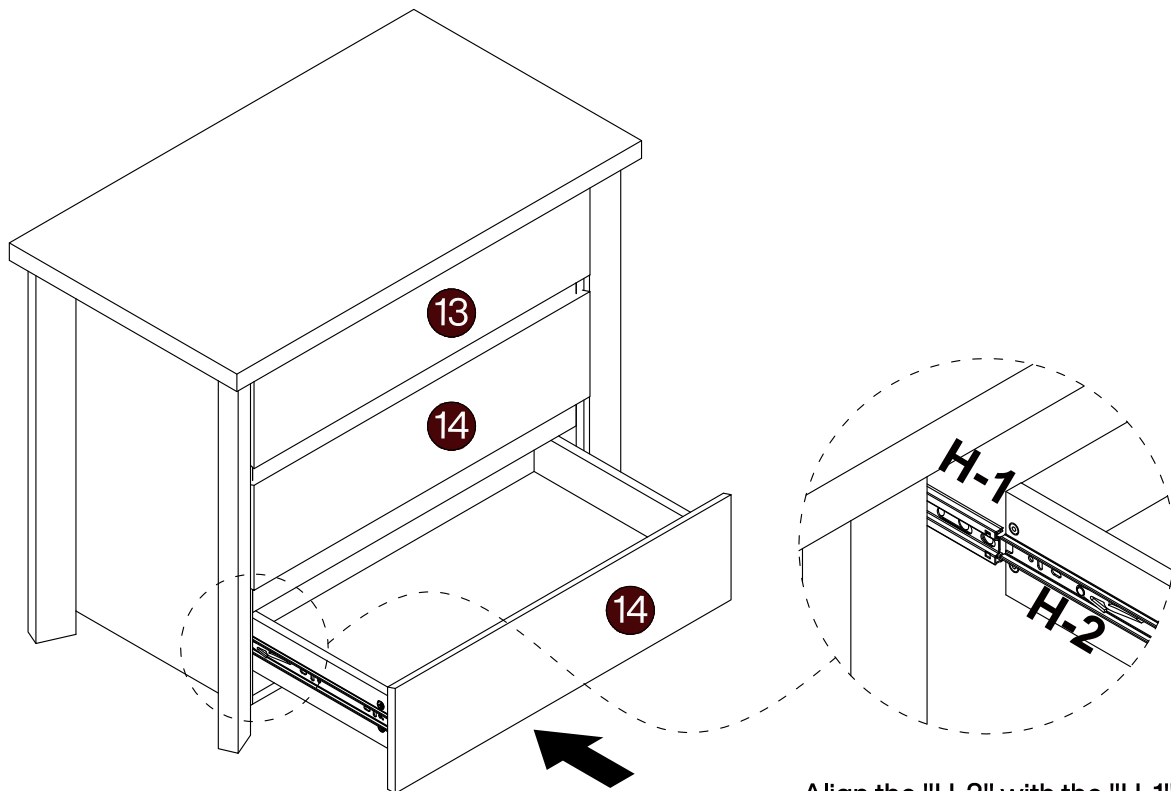
A

M6x40mm
7 pcs

17

B

Ø15x12mm
7 pcs




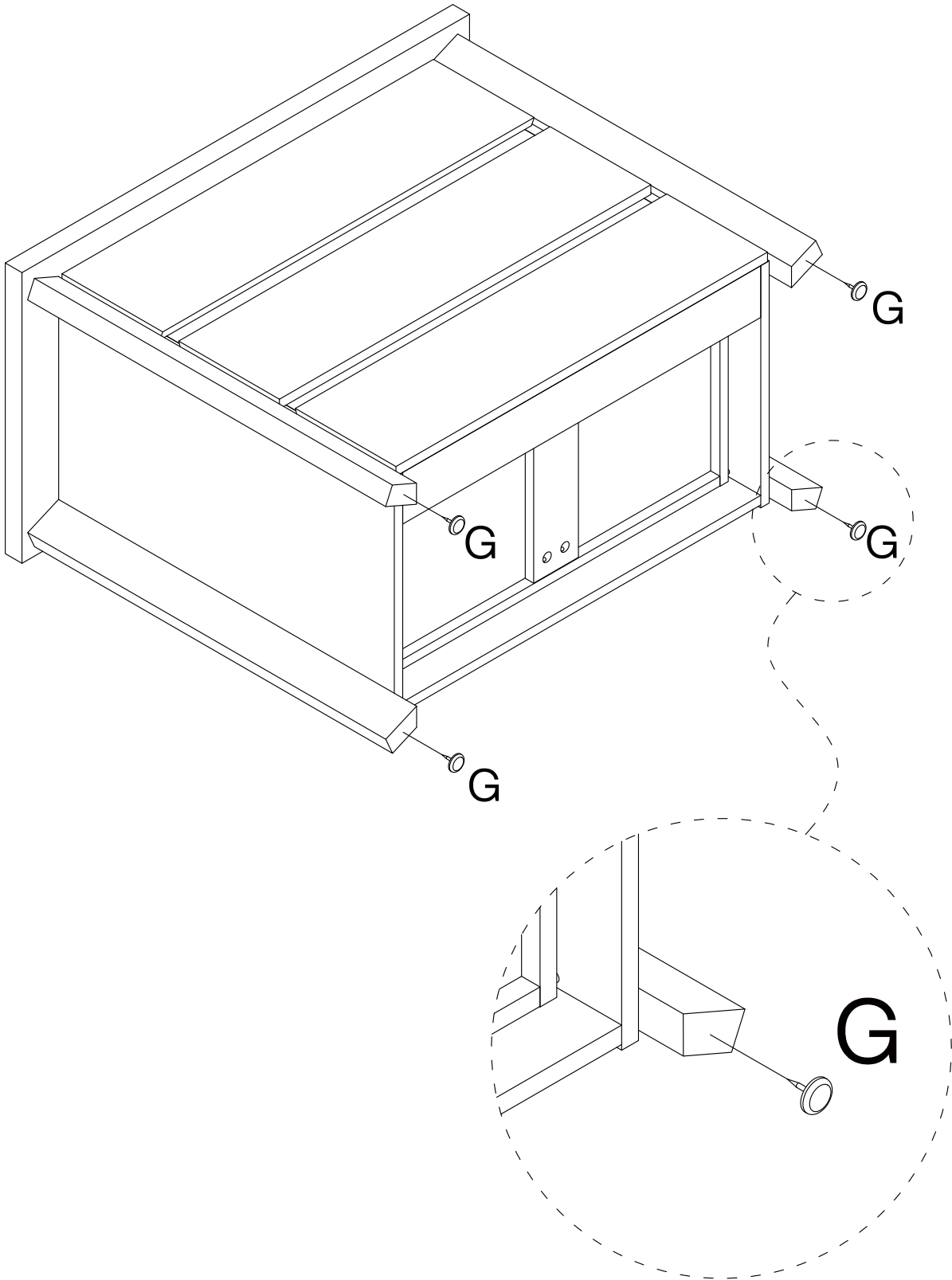
18



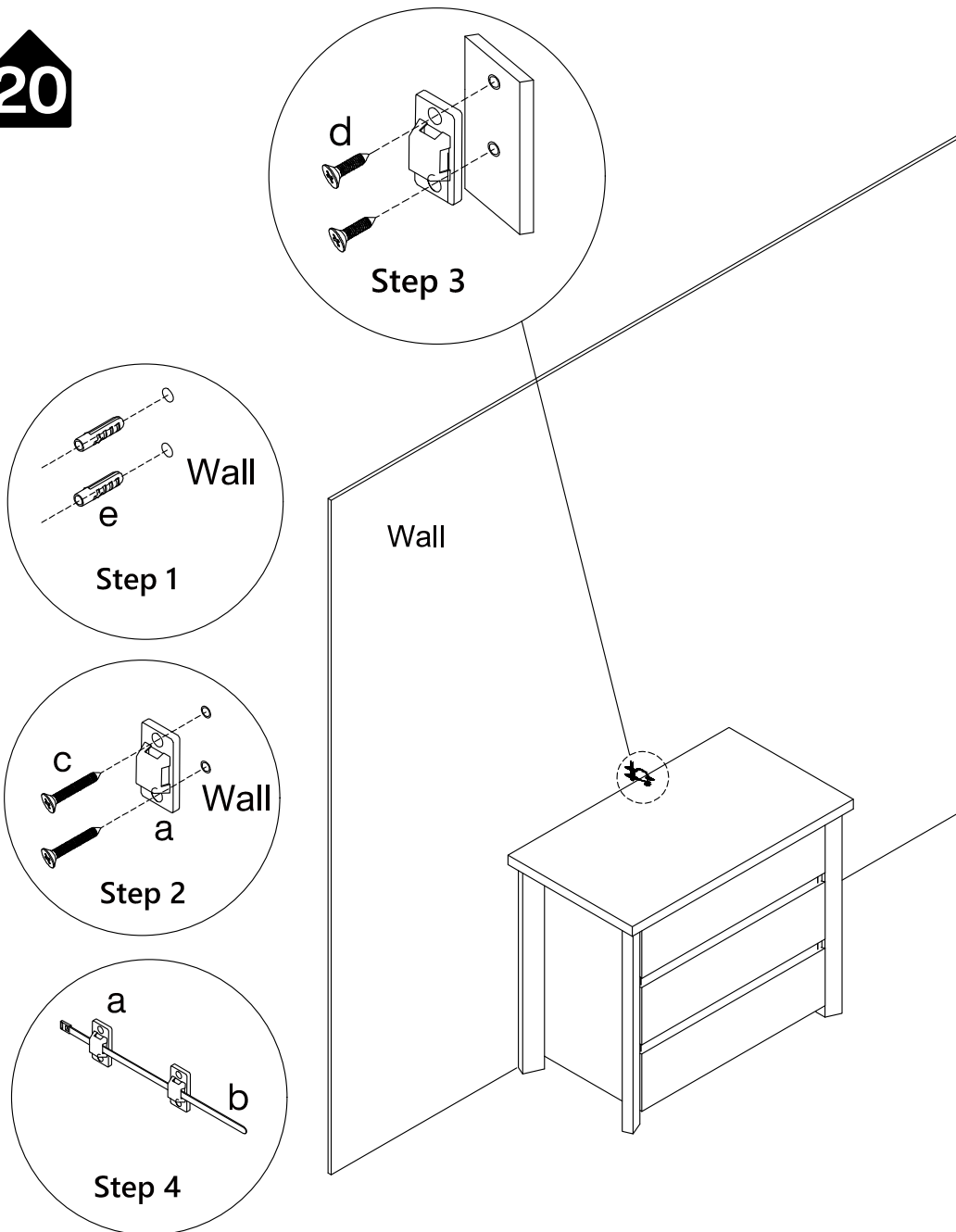
Align the "H-2" with the "H-1" guideway and gently push it in to complete the assembly

19

G

4pcs



20



I
1 pc

Installation Steps:

1. Drill a hole on the wall, insert the expansion bolt (e) into the hole.
2. Secure one bracket (a) into the expansion bolt (e) using the screw(c).
3. Position the furniture in place. Attach another bracket(a) (aligns with the bracket on the wall) to the back edge of unit top using the screw(d),
4. Thread the male end of the steel cable(b) through both brackets. Securely join the ends by turning the female connector clockwise.

Note:

Before installing the anti-tip kit, please determine where the furniture is to be placed and locate the center line of a wooden stud using a stud finder.
For a concrete wall, ensure no steel bars inside it.

Thank you for your support!

