

WOOD CARE

Always use felt pads under all articles to prevent discoloration or softening of the lacquer. Plastic and rubber bases on items can discolor wood. Wipe up spills immediately and avoid common hazards such as hot dishes, harsh solvents and abrasives. Cleaning should be done with a soft lint free cotton cloth dampened with water or furniture polish. On highly used surfaces we recommend applying a quality paste wax which should be used on a regular basis to provide additional protection from scratches and spills. How often you apply the wax depends on how much wear the furniture receives.

GLASS AND MIRROR CARE

Dust with a soft, dry cloth. Do not use abrasive cleaner. To clean mirror, spray a small amount of glass cleaner onto a lint-free cloth and wipe mirror clean.





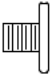




INDOOR METAL/ALUMINUM FURNITURE

Wipe spills immediately. Maintain with regular dusting and clean with mild soap and water, dry thoroughly and do not use a brass cleaner.

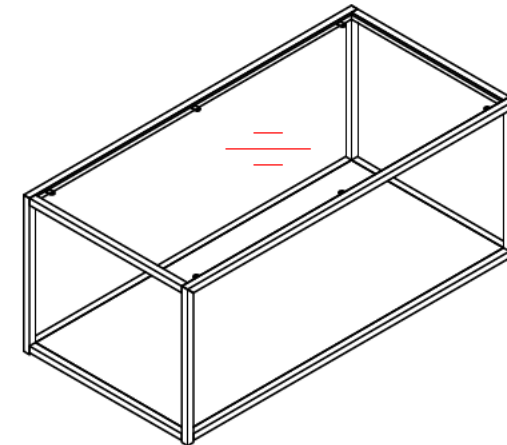
NOTICE

- * Please make sure that you have all parts indicated before you begin assembly on this item.
- * This item should be assembly on a soft surface to prevent scratching/dirty the surface during assembly.
- * This item may require periodic tightening.

Part List

PIECE	DESCRIPTION	PICTURE	QUANTITY
A	Glass		1X
B	Plank		1X
C	leg		2X
D	connector tube		4X
HW1	Socket Screws 5.7x1.1x10mm		8X
HW2	Flat Washer 6.4x14mm		8X
HW3	Phillips Screws 3.5x1.6x12mm		6X
HW4	Allen key 4mm		1X
HW5	Plastic Shims 12mm		6X

Item Dimension: 39.37W" x 19.89D" x 16.54H"
Item Weight Capacities : 154LBS

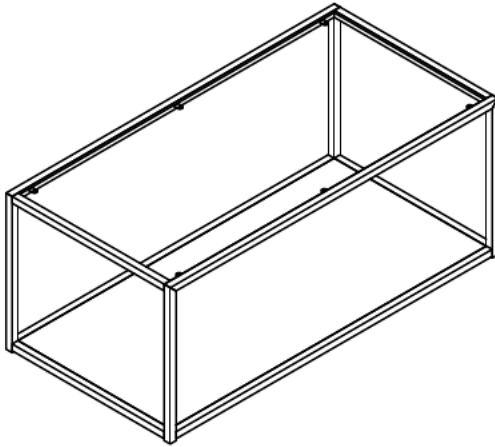


PREPARATION

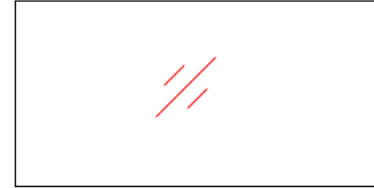
Before beginning assembly of product, make sure all parts are present. Compare parts with package contents list. If any part is missing or damaged, do not attempt to assemble the product.

EstimatedAssemblyTime: 10 minutes.

1



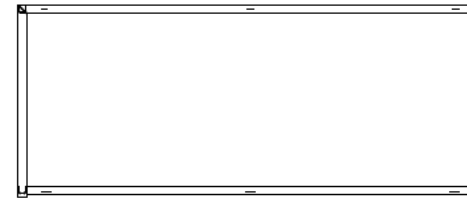
2



Glass
X 1



Plank
X 1

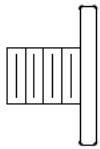


leg
X 2



connector tube
X 4

3



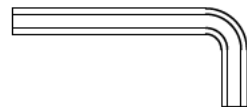
Socket Screws
5.7x1.1x10mm
X 8



Phillips Screws
3.5x1.6x12mm
X 6



Flat Washer
6.4x14mm
X 8



Allen key 4mm
X 1



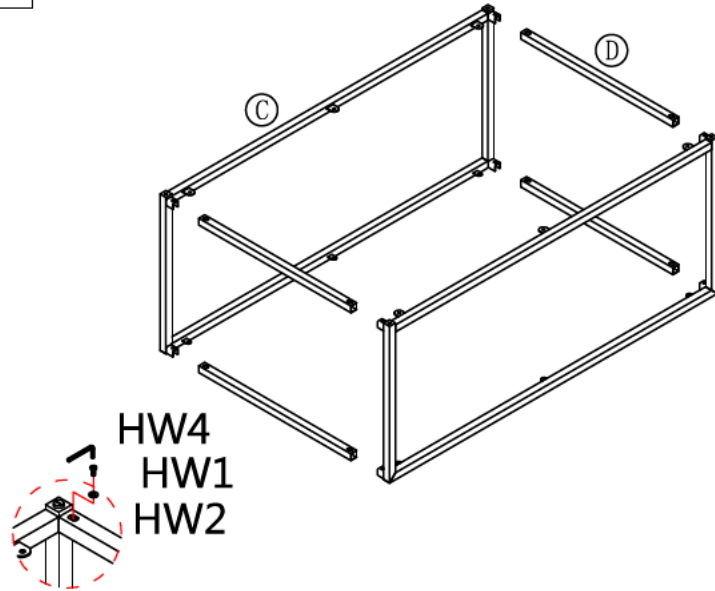
Plastic Shims 12mm
X 6

PREPARATION

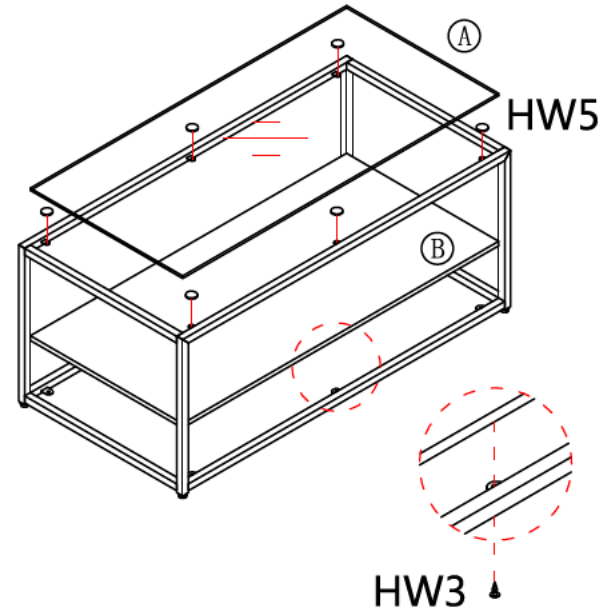
Before beginning assembly of product, make sure all parts are present. Compare parts with package contents list. If any part is missing or damaged, do not attempt to assemble the product.

EstimatedAssemblyTime: 10 minutes.

4



5



6

