

VEVOR[®]

TOUGH TOOLS, HALF PRICE

Technical Support and E-Warranty Certificate www.vevor.com/support

SALON CART USER MANUAL

MODEL NO.: WC1012

We continue to be committed to provide you tools with competitive price.

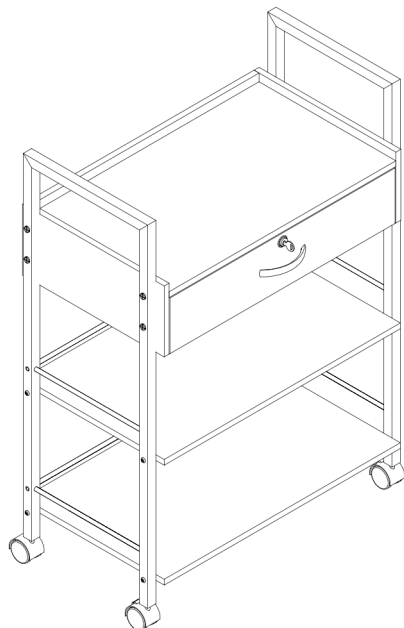
"Save Half", "Half Price" or any other similar expressions used by us only represents an estimate of savings you might benefit from buying certain tools with us compared to the major top brands and does not necessarily mean to cover all categories of tools offered by us. You are kindly reminded to verify carefully when you are placing an order with us if you are actually saving half in comparison with the top major brands.

VEVOR[®]

TOUGH TOOLS, HALF PRICE

Salon Cart

MODEL NO.: WC1012



NEED HELP? CONTACT US!

Have product questions? Need technical support? Please feel free to contact us:

Technical Support and E-Warranty Certificate
www.vevor.com/support

This is the original instruction, please read all manual instructions carefully before operating. VEVOR reserves a clear interpretation of our user manual. The appearance of the product shall be subject to the product you received. Please forgive us that we won't inform you again if there are any technology or software updates on our product.

 **WARNING:**

Please read this manual carefully before using the product. Failure to do so may result in serious injury.

ASSEMBLY PRECAUTIONS

1. Assemble only according to these instructions. Improper assembly can create hazards.
2. Wear ANSI-approved safety goggles and heavy-duty work gloves during assembly.
3. Keep the assembly area clean and well-lit.
4. Keep bystanders out of the area during assembly.
5. Do not assemble when tired or when under the influence of alcohol, drugs or medication.
6. The product capabilities apply to properly and completely assembled products only.
7. Assemble on a flat, level, hard and smooth surface capable of safely supporting the Salon Cart.
8. For additional information regarding the parts listed in the following pages, please refer to the Assembly Diagram of this manual. Unwrap and separate all parts in a clean work area.

SAVE THESE INSTRUCTIONS

USE PRECAUTIONS

TO PREVENT SERIOUS INJURY AND DEATH FROM TIPPING:

1. DO NOT SIT OR STAND ON THIS ITEM.

2. This product is not a toy Do not allow children to play with or near this item.

3. Do not exceed weight capacities, Empty lab cart before moving.

4. Use only on a flat, level, hard and smooth surface capable of safely supporting a fully loaded Salon Cart.

5. Use as intended only.

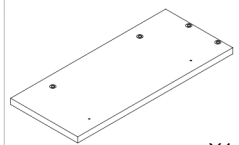
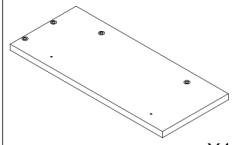
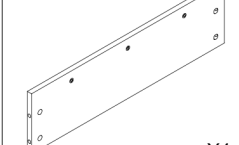
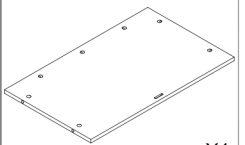
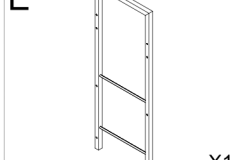
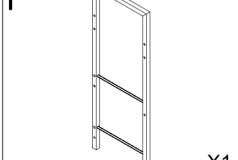
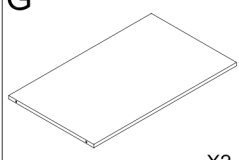
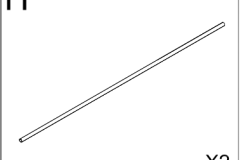
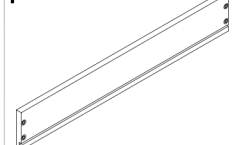
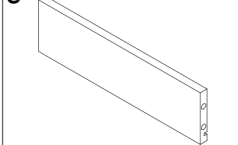
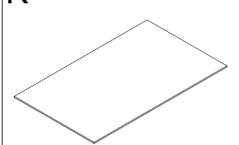
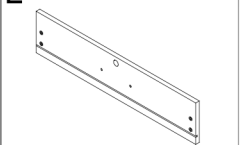
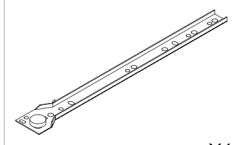
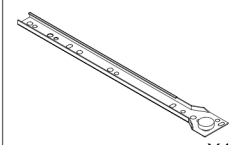
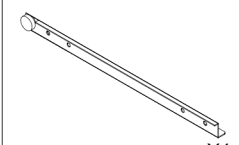
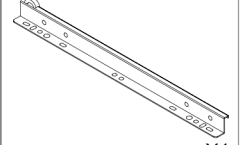
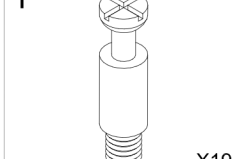

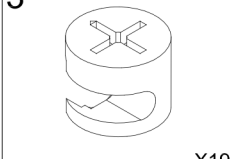
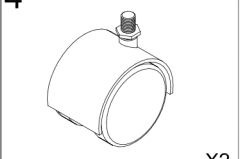
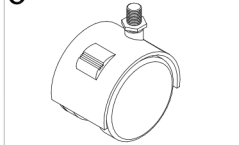
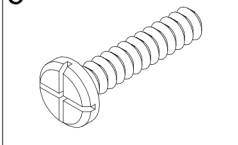
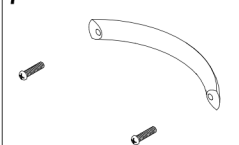
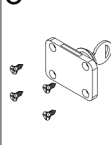
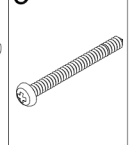
Inspect before every use; do not use if parts are loose or damaged.

TECHNICAL SPECIFICATIONS

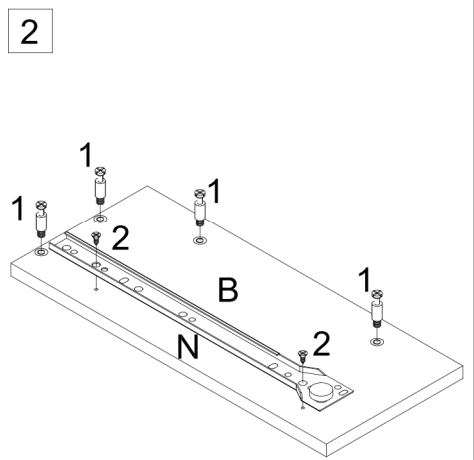
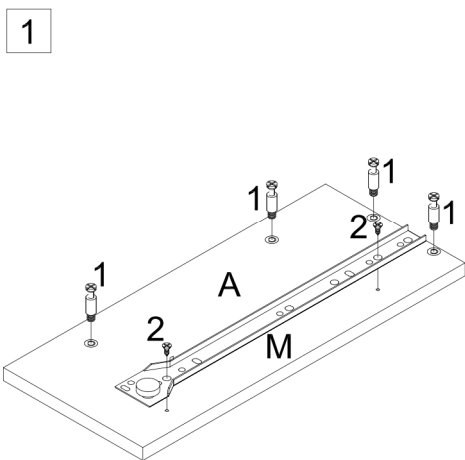
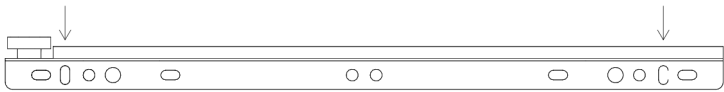
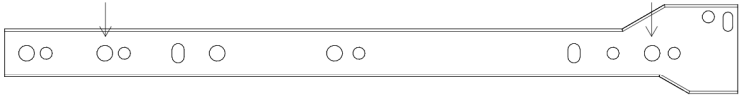
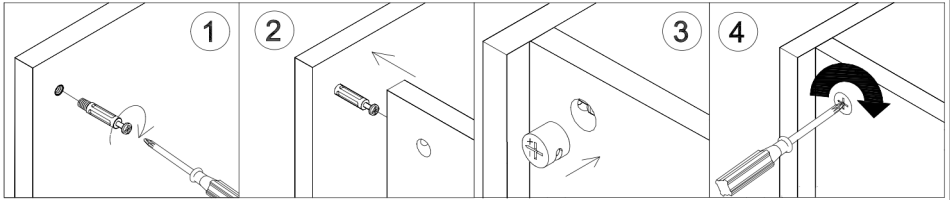
Model	WC1012
Color	Black
Product Dimensions(LxWxH)	610*340*865 mm
Packing Size(LxWxH)	920*410*170mm
Net Weight (kg)	About 10.8kg
Gross Weight (kg)	About 13.9kg

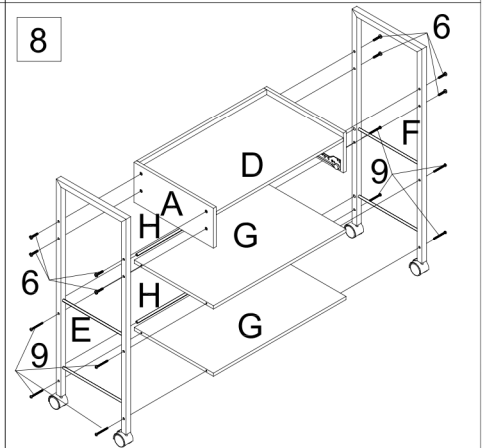
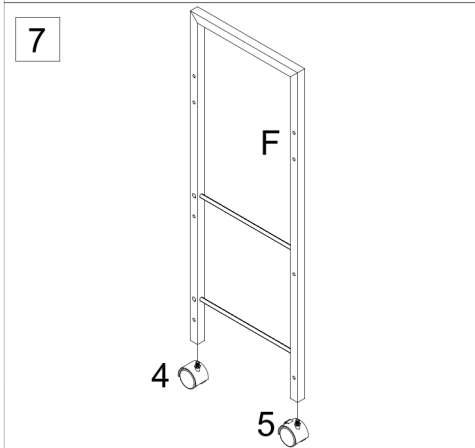
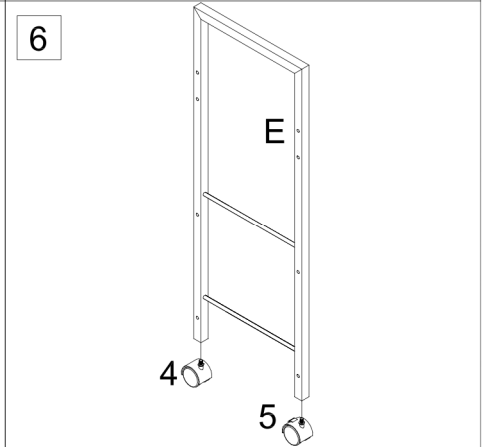
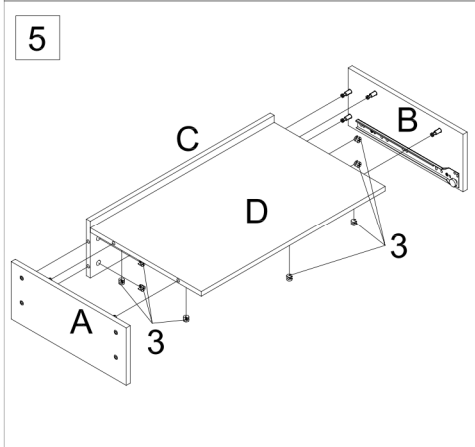
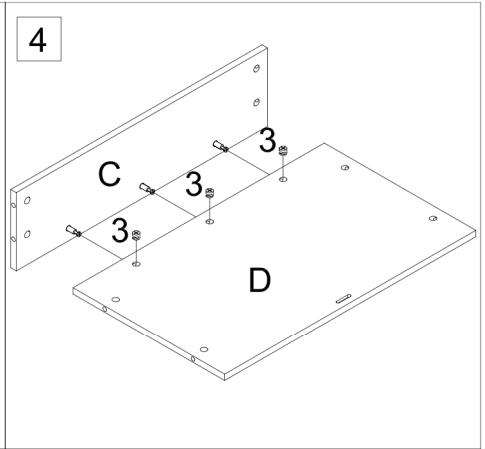
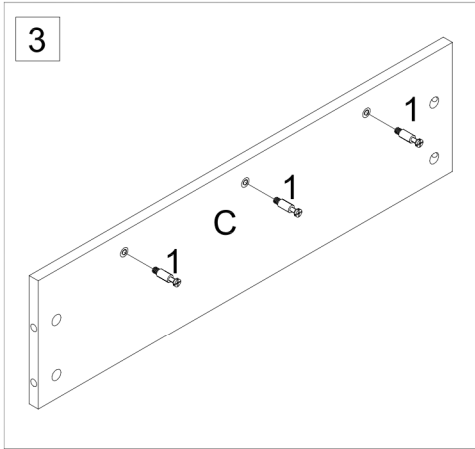
*Products such as specifications, appearance, and design are subject to modification without prior notice.

PACKAGE CONTENTS

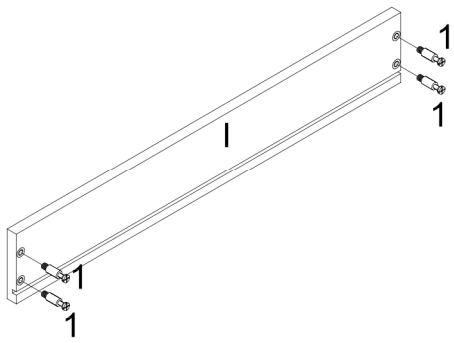
<p>A</p>  <p>X1</p>	<p>B</p>  <p>X1</p>	<p>C</p>  <p>X1</p>	<p>D</p>  <p>X1</p>
<p>E</p>  <p>X1</p>	<p>F</p>  <p>X1</p>	<p>G</p>  <p>X2</p>	<p>H</p>  <p>X2</p>
<p>I</p>  <p>X1</p>	<p>J</p>  <p>X2</p>	<p>K</p>  <p>X1</p>	<p>L</p>  <p>X1</p>
<p>M</p>  <p>X1</p>	<p>N</p>  <p>X1</p>	<p>O</p>  <p>X1</p>	<p>P</p>  <p>X1</p>
<p>1</p>  <p>X19</p>	<p>2</p>  <p>ST4X12 X8</p>	<p>3</p>  <p>X19</p>	<p>4</p>  <p>X2</p>
<p>5</p>  <p>X2</p>	<p>6</p>  <p>M6X28 X8</p>	<p>7</p>  <p>X1</p>	<p>8</p>  <p>X1</p> <p>9</p>  <p>ST5X50 X8</p>

ASSEMBLY STEPS

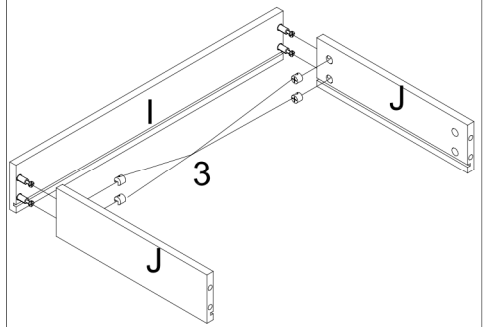




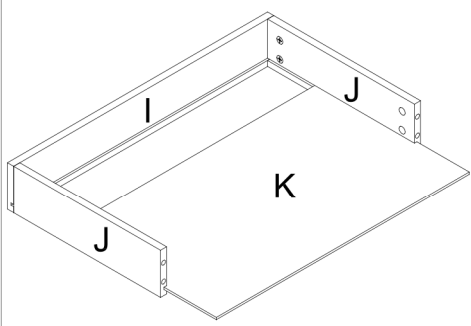
9



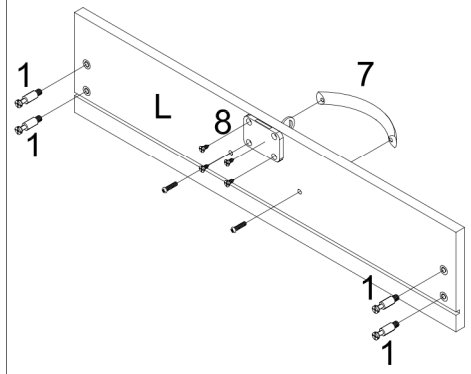
10



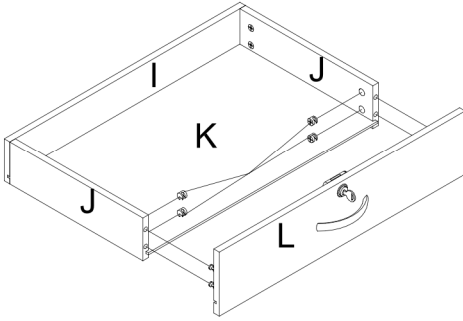
11



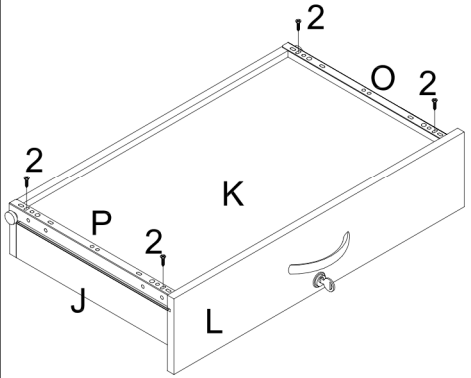
12



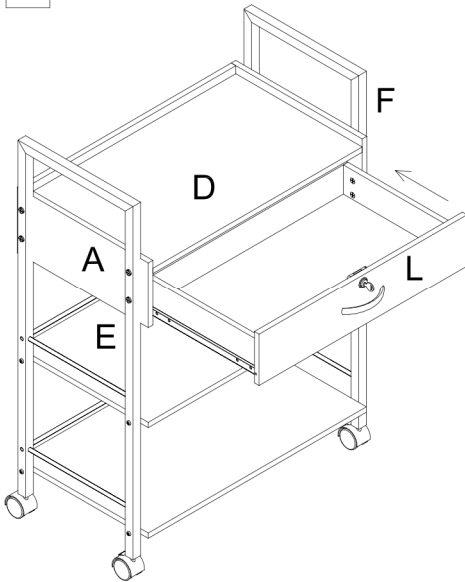
13



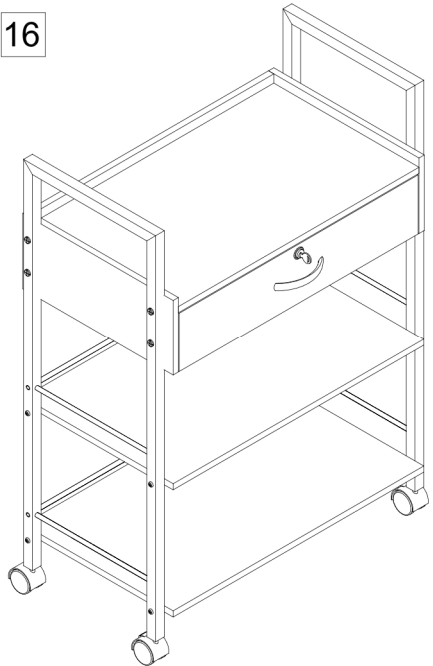
14



15



16



Manufacturer: Shanghaimuxinmuyeyouxiangongsi

Address: Baoshanqu Shuangchenglu 803long 11hao 1602A-1609shi
Shanghai

Imported to AUS: SIHAO PTY LTD. 1 ROKEVA STREETEASTWOOD
NSW 2122 Australia

Imported to USA: Sanven Technology Ltd.

Suite 250,9166 Anaheim Place, Rancho Cucamonga, CA 91730



SHUNSHUN GmbH
Römeräcker 9 Z2021,76351
Linkenheim-Hochstetten,Germany
euvertreter@gmail.com
+49 1727041930



Pooledas Group Ltd
Unit 5 Albert Edward House, The
Pavilions Preston, United Kingdom
pooledas123@gmail.com
Tel: 01772418127

Made In China

VEVOR[®]

TOUGH TOOLS, HALF PRICE

Technical Support and E-Warranty Certificate

www.vevor.com/support