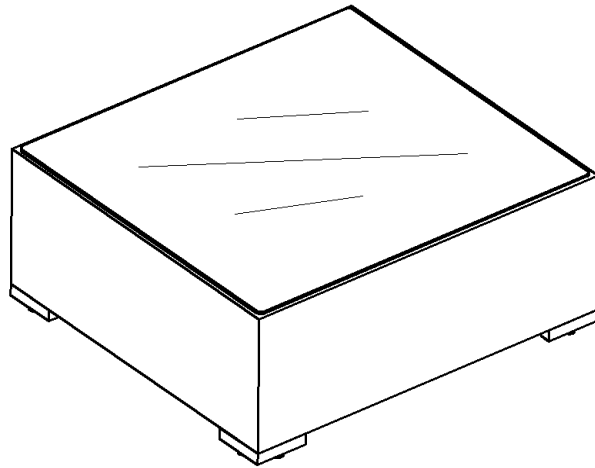


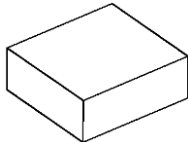
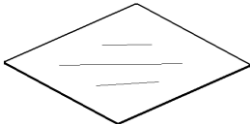
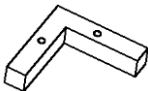
Assembly Instructions

Caution: You must read this before you proceed




Coffee Table



Part List

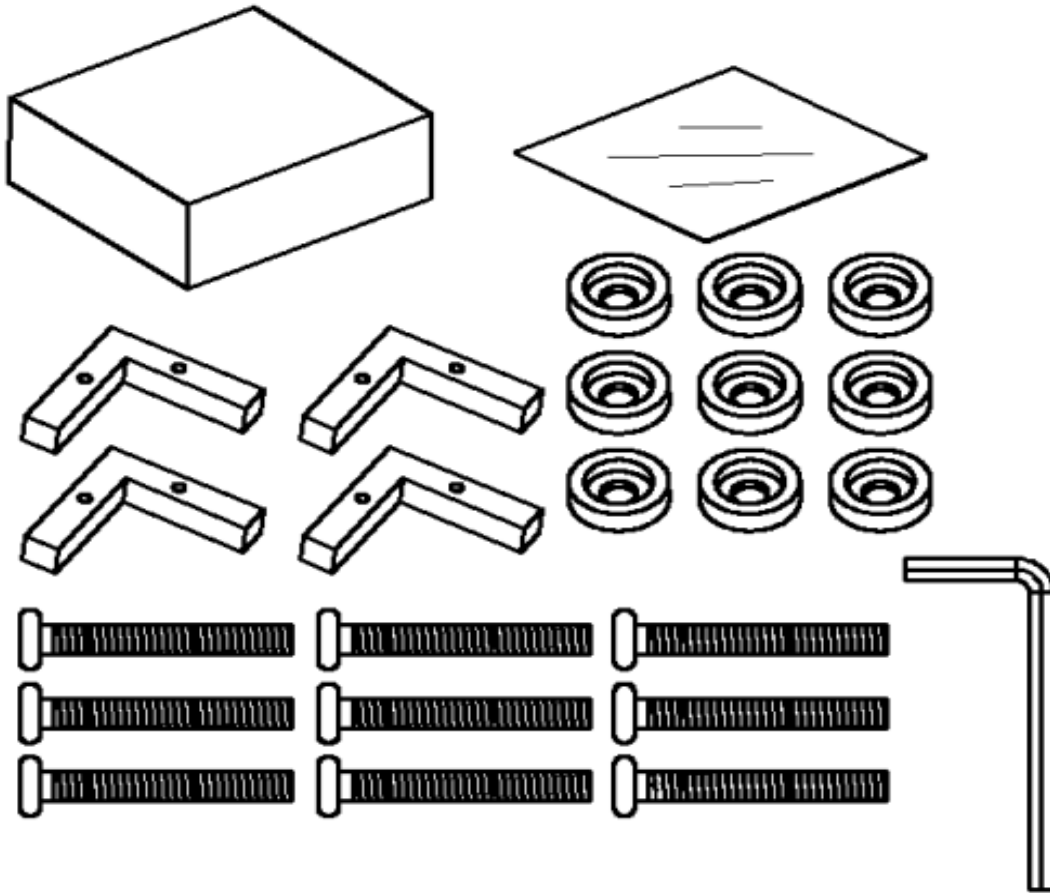
Label	Picture	Description	QTY
A		Table	1
B		Glass	1
C		Foot	4

Hardware

Label	Picture	Description	QTY
①		Allen Key (M4)	1
②		Bolt (M6*45mm)	9
③		Washer	9

Assembly Preparation

Before Beginning Assembly:



• Read instructions, cover to cover-



• Have 2 adults on hand for assembly-



• Do not assemble on flooring or carpet-



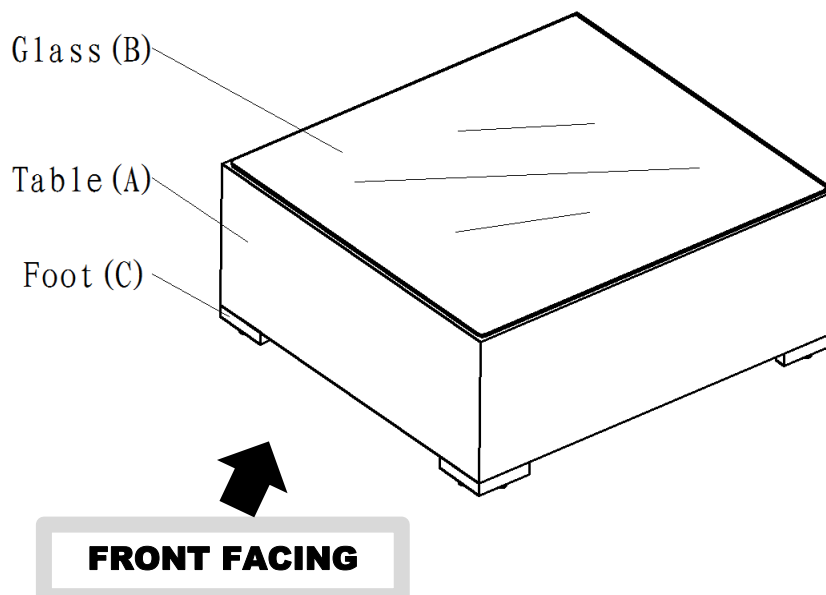
• Assemble on a clean non-marring surface (packing foam)-



• Save all packaging until finished-

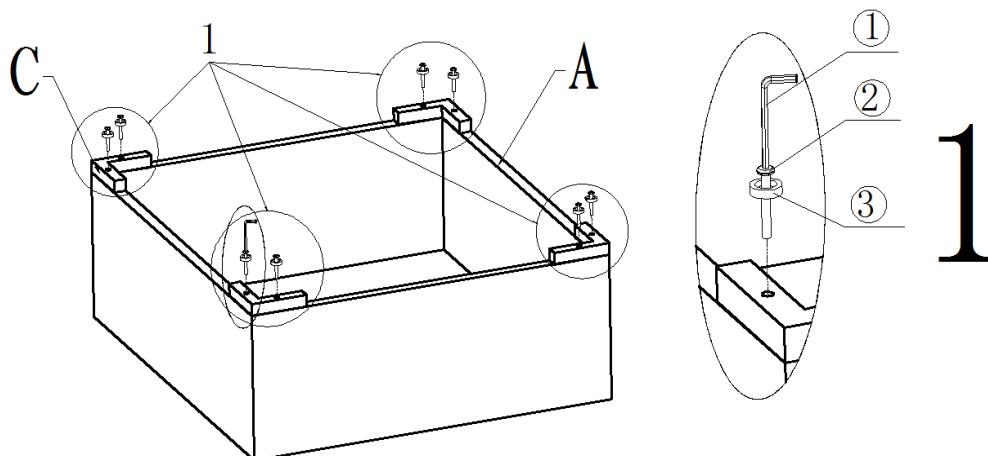
Assembly Steps

Overview



This Coffee Table has multiple parts and may require up to 30 minutes to assemble. To give you an overview of the Coffee Table parts, the above picture is to help you put the various parts into perspective. Please read through the instructions below to familiarise yourself with the parts and steps before assembly.

Step 1



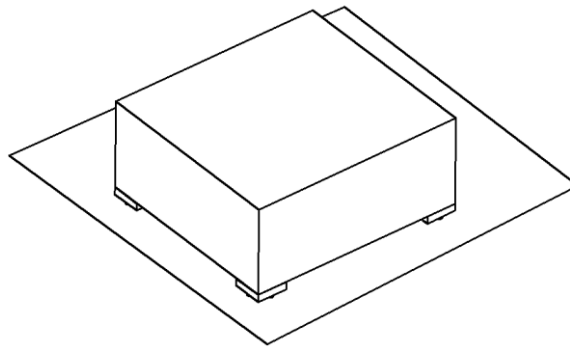
Open the carton and place all the parts onto a clean, non-marring surface. Attach Foot(C) onto the Table(A) using Bolts(②) and Washers(③) with Allen Key(①) as shown above. Repeat this step with the remaining three Feet(C).

Do not fully tighten the Bolts.

ATTENTION: There may be some PE wicker that may have covered the Bolt points. To ease assembly, guide and slide the PE wicker away from the mounting positions.

DO NOT CUT AWAY any PE WICKER as this would cause the wicker to unravel!

Step 2



Stand the Coffee Table up. Place the Table on a LEVEL SURFACE to check for wobbles.

If it wobbles, lift the Table some 20mm to 30mm high from the ground.

Keep your feet and toes well away from the drop zone.

Drop the table freely and vertically with all four feet, hitting the ground, at the same time.

This Drop Test will help to ensure that all Bolts and gaps reach full alignment status.

Test again for evenness on a LEVEL SURFACE.

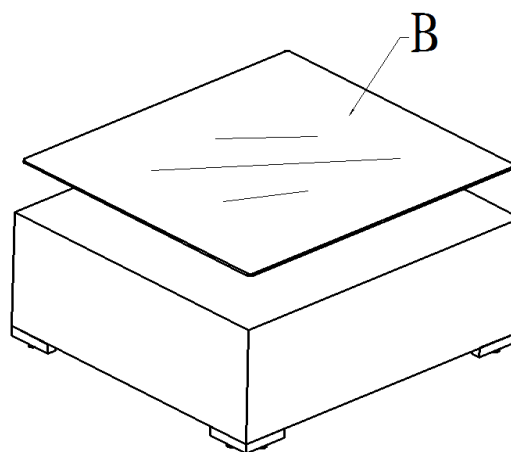
If no wobbles are found, slowly and carefully, turn the Coffee Table facedown. Then, proceed to tighten all Bolts in a sequential manner.

When tightening the Bolts, tighten sequentially.

DO NOT tighten any Bolt fully and then towards the next one.

If there are still wobbles, loosen the Bolts and execute the same drop test.

Step 3























Carefully place the Glass(B) onto the Table(A) with the assistance of your adult partner.

Your Coffee Table is ready for use.

This Coffee Table can only be used on a flat, level surface.

Care & Maintenance

-   ● Do not put hot items directly on furniture surface
 -   ● Do not clean furniture with harsh cleansers or polish.
 -   ● To obtain the longest lifespan of your outdoor products, minimizing exposure to direct sunlight is recommended.
 -   ● Children should not climb or jump on the furniture.
 -   ● Do not write on furniture without a padded barrier to protect the surface.
 -   ● To obtain the longest lifespan of your outdoor products, avoid extended and lengthy exposure to rain, snow, and direct sunshine. Whenever possible cover the product and /or place under patio or awnings.
 -   ● Not for commercial use. For residential use only .
 -   ● Stains may be removed with mild soap solution and damp cloth.
 -   ● Keep away from sources of ignition.
-
-   ● Dust and pick-up spills using a clean, non-colored, lint-free cloth .