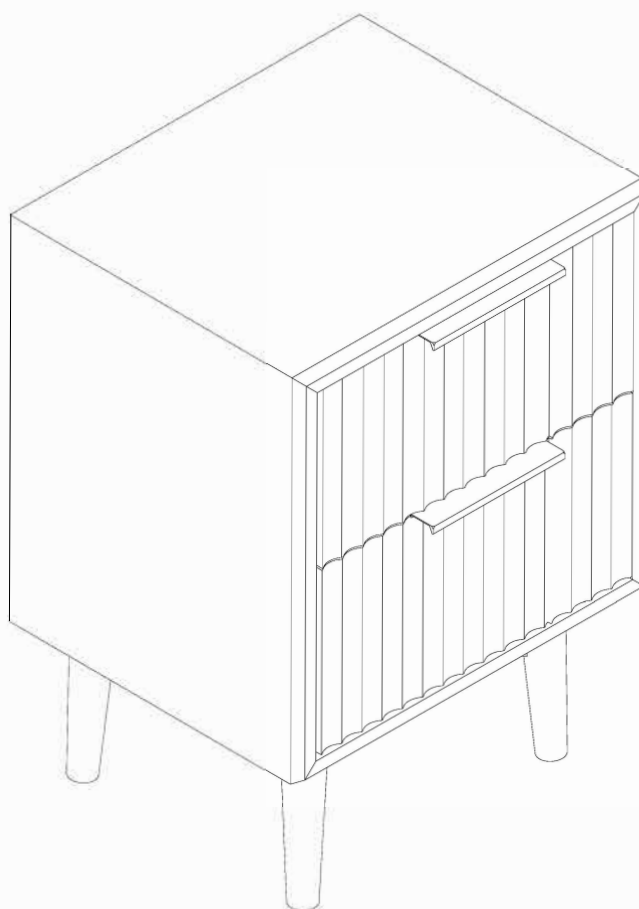


2 Drawer Bedside Table BLACK / GREY

Instruction manual





SAFETY AND CARE ADVICE

PLEASE READ THESE INSTRUCTIONS CAREFULLY AND KEEP FOR FUTURE

- Check you have all the components and tools listed on pages 2 or 3.
- Remove all fittings from the plastic bags and separate them into their groups.
- Keep children and animals away from the work area, small parts could choke if swallowed.
- Make sure you have enough space to layout the parts before starting.
- Do not stand or put weight on the product, this could cause damage.
- Assemble on a soft level surface to avoid damaging the unit or your floor (use opened out unit carton).
- We do not recommend the use of power drill/drivers for inserting screws, as this could damage the unit. Only use hand screwdrivers.

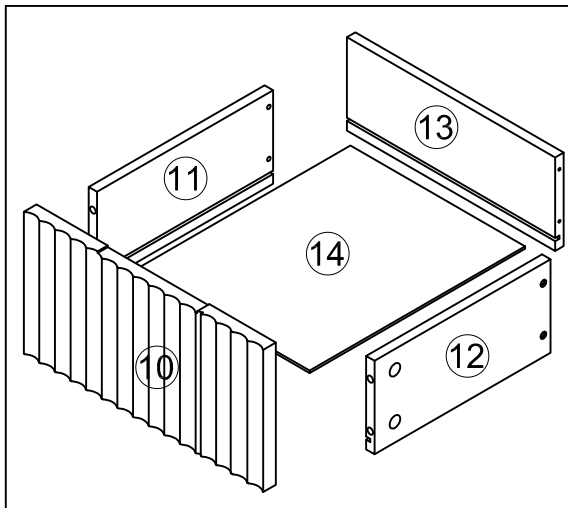


COMPONENTS — PANELS

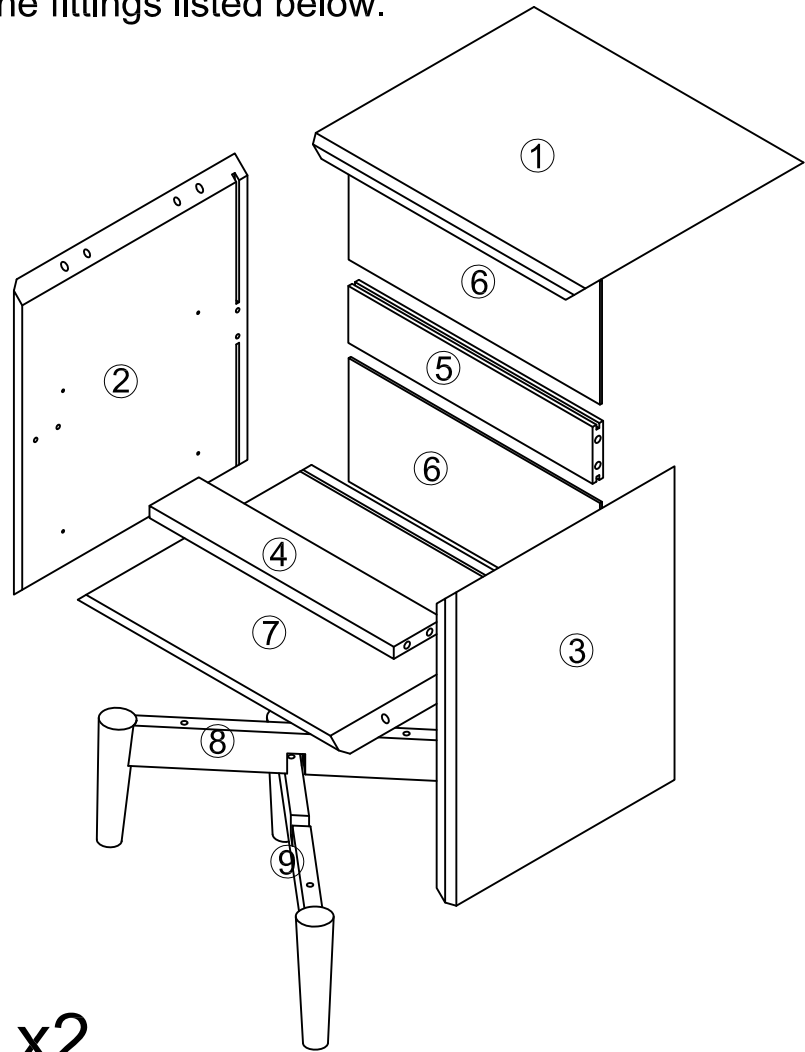
Please check you have all the fittings listed below:



2 PERSON
ASSEMBLY
RECOMMENDED



x2



PANEL LIST

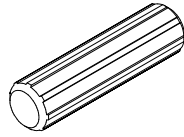
1	Top Panel	x1	8	Upper Base Frame	x1
2	Left Side Panel	x1	9	Lower Base Frame	x1
3	Right Side Panel	x1	10	Drawer Front	x2
4	Drawer Rail	x1	11	Drawer Left Side Panel	x2
5	Back Rail	x1	12	Drawer Right Side Panel	x2
6	Back Panel	x2	13	Drawer Back Panel	x2
7	Bottom Panel	x1	14	Drawer Bottom Panel	x2

COMPONENTS — FITTINGS

Please check you have all the fittings listed below:

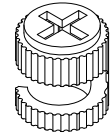
A  Peg M6*35mm x14

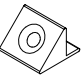
B  Lock x14

C  Dowel M6*30mm x10

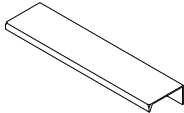
D  Screw M4*30mm x8

E  Peg M6*35mm x8

F  Lock x8

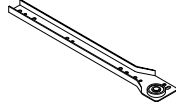
G  Back buckle x8


H  Screw M3*14mm x8

I  Handle x2

J  Screw M3*12mm x16


K  CL
Drawer Runner x2

L  CR
Drawer Runner x2

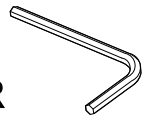
M  DL
Drawer Runner x2

N  DR
Drawer Runner x2

O  Bolt M6*50mm x4

P  Felt Mat x4

Q  Screw M3.5*12mm x4

R  Allen Wrench x1

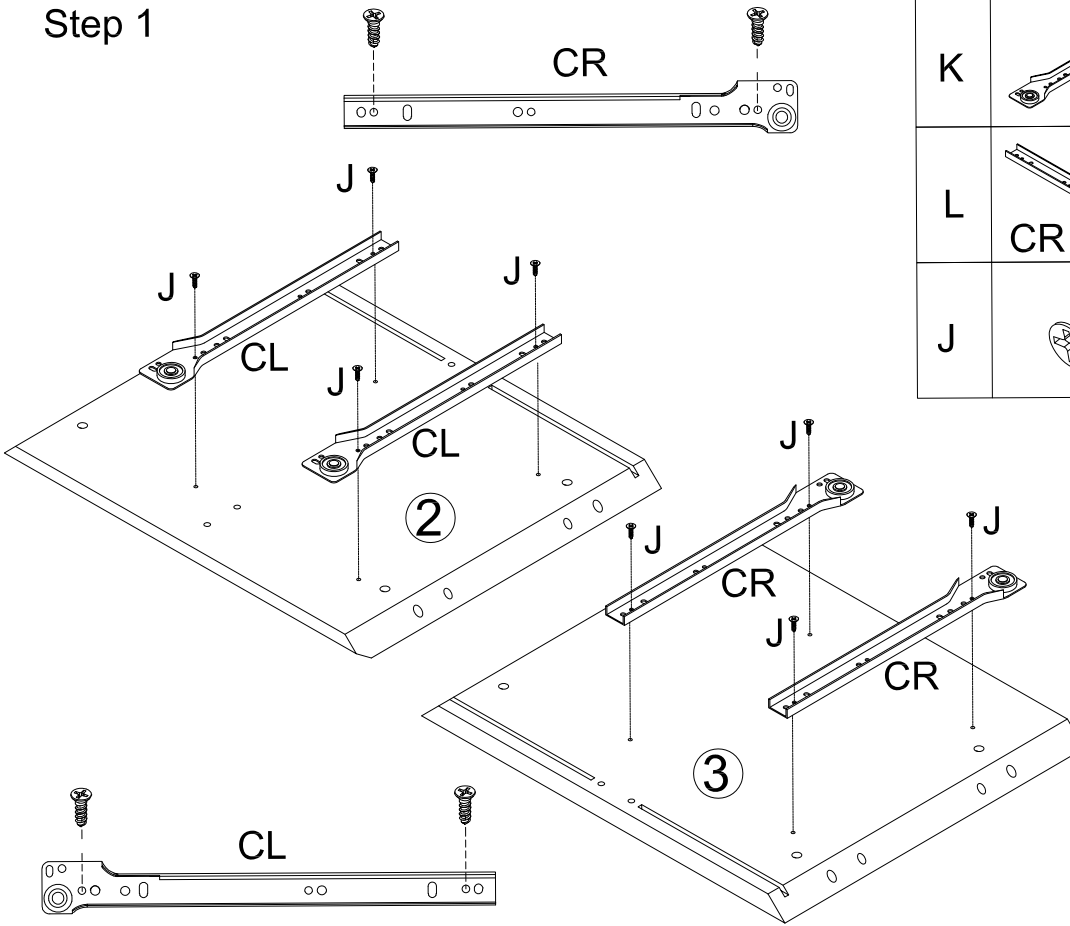
TOOLS NEEDED

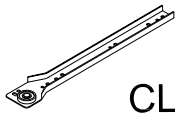
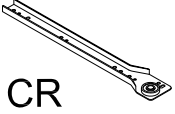
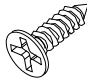



Phillips Screwdriver x1

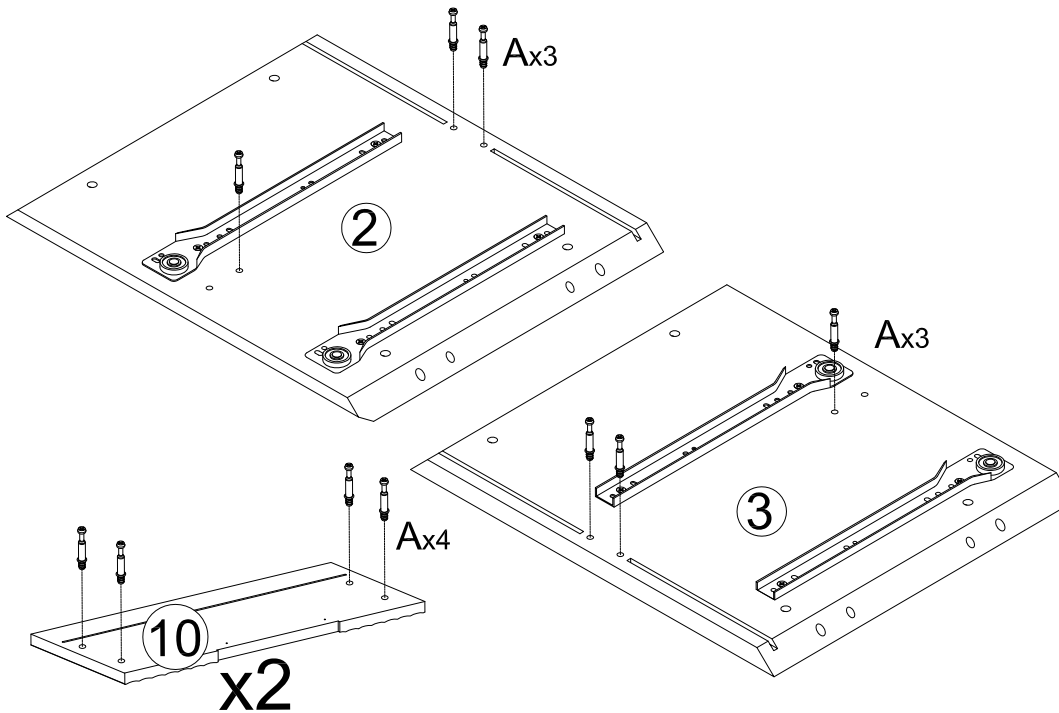
ASSEMBLY INSTRUCTIONS

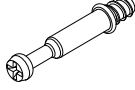

Step 1



K		2	
L		2	
J		8	

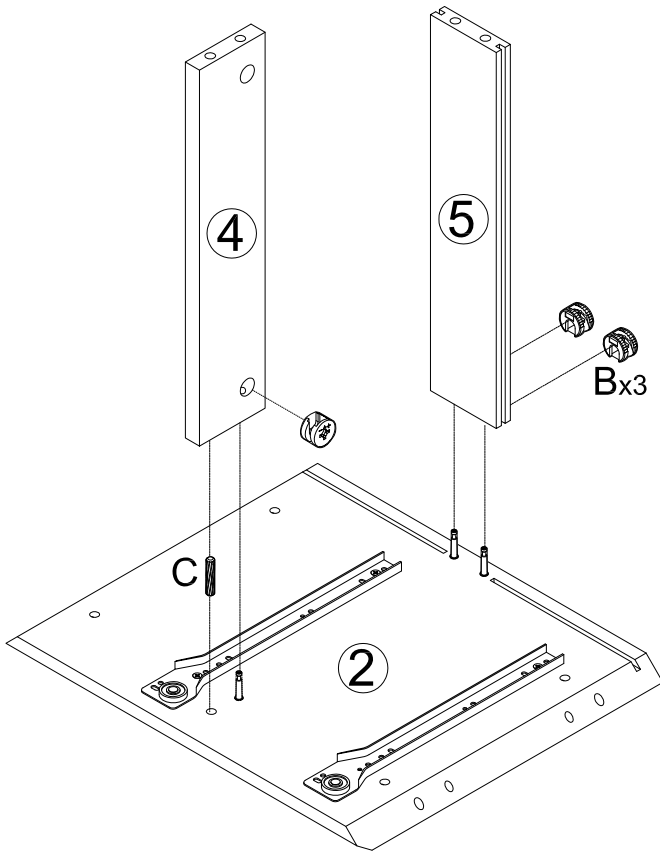
Step 2



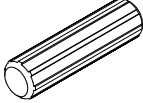


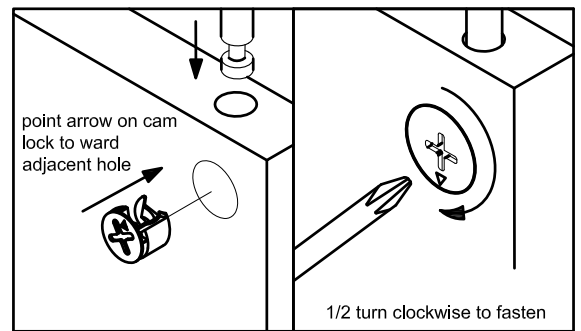
A		14	
---	---	----	---

ASSEMBLY INSTRUCTIONS

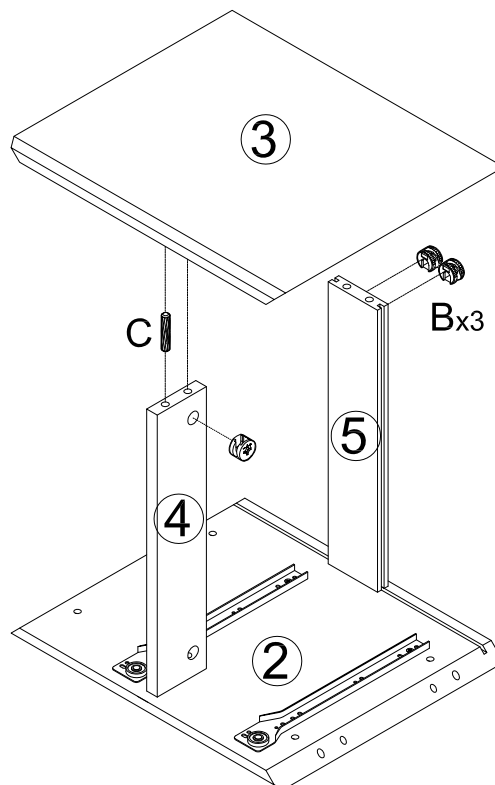
Step 3



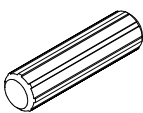


B		3	
C		1	



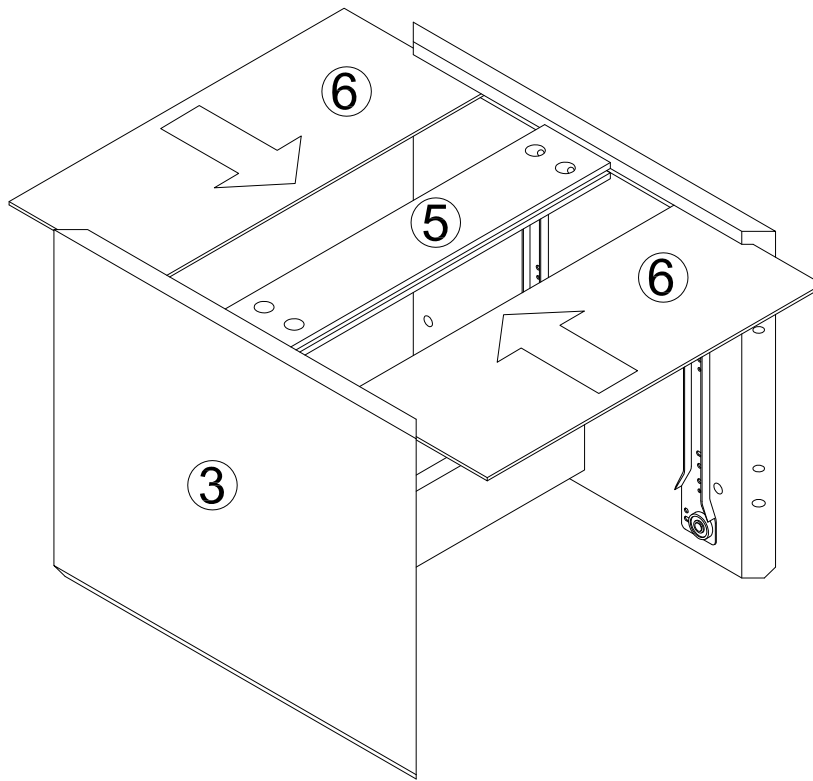
Step 4



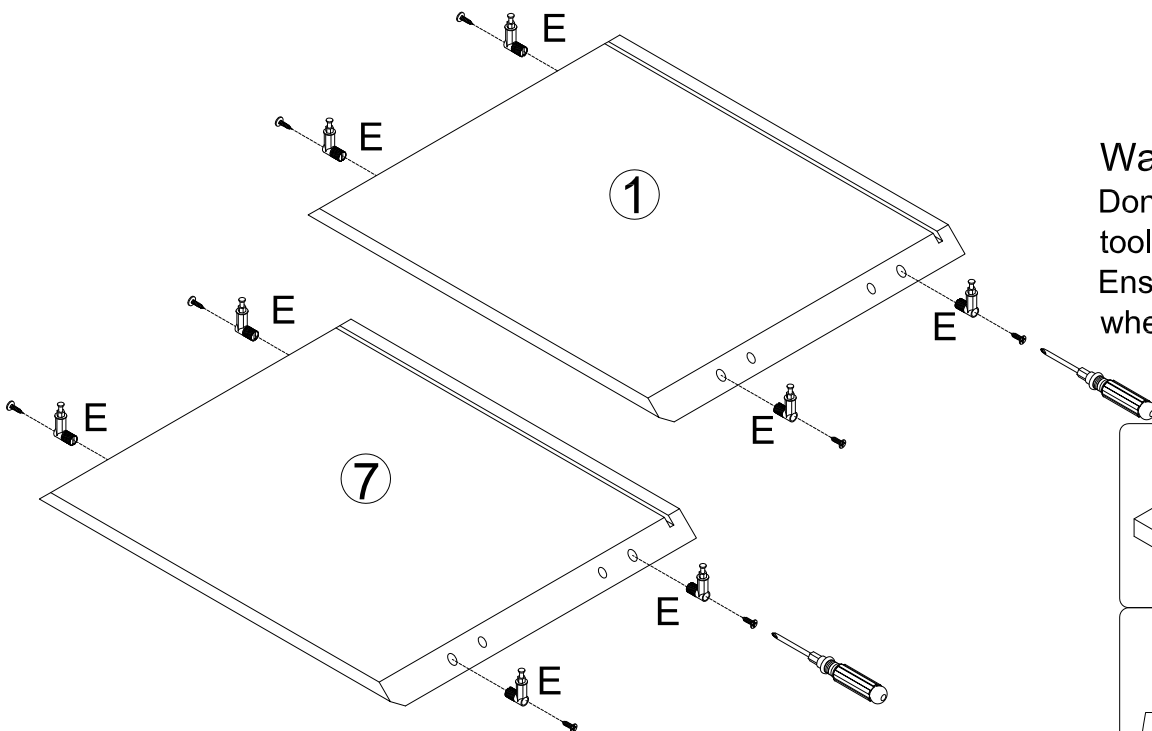
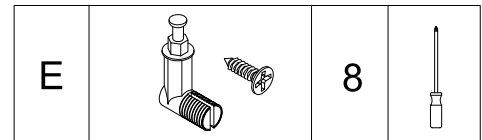
B		3	
C		1	

ASSEMBLY INSTRUCTIONS

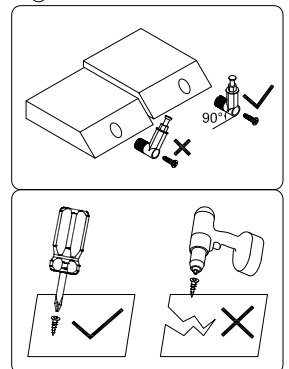
Step 5



Step 6

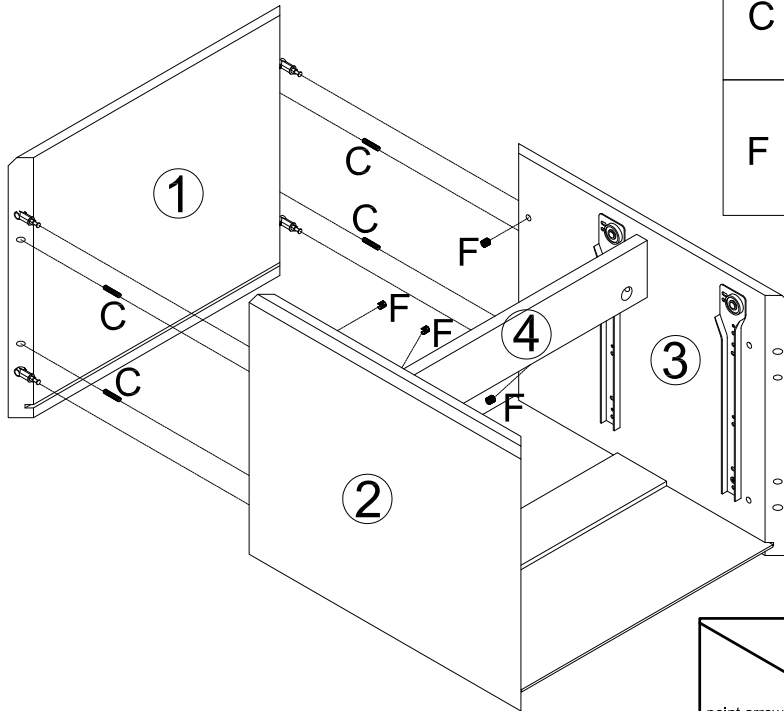


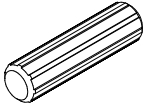
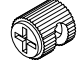

Warning:
Don't use power tools when screwing.
Ensure pegs straight when screwing.

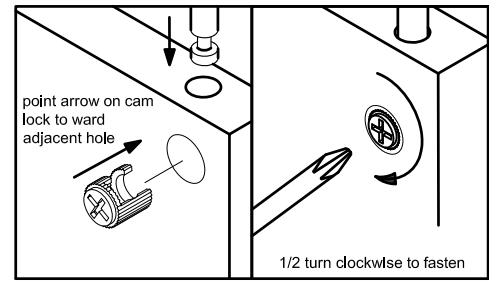


ASSEMBLY INSTRUCTIONS

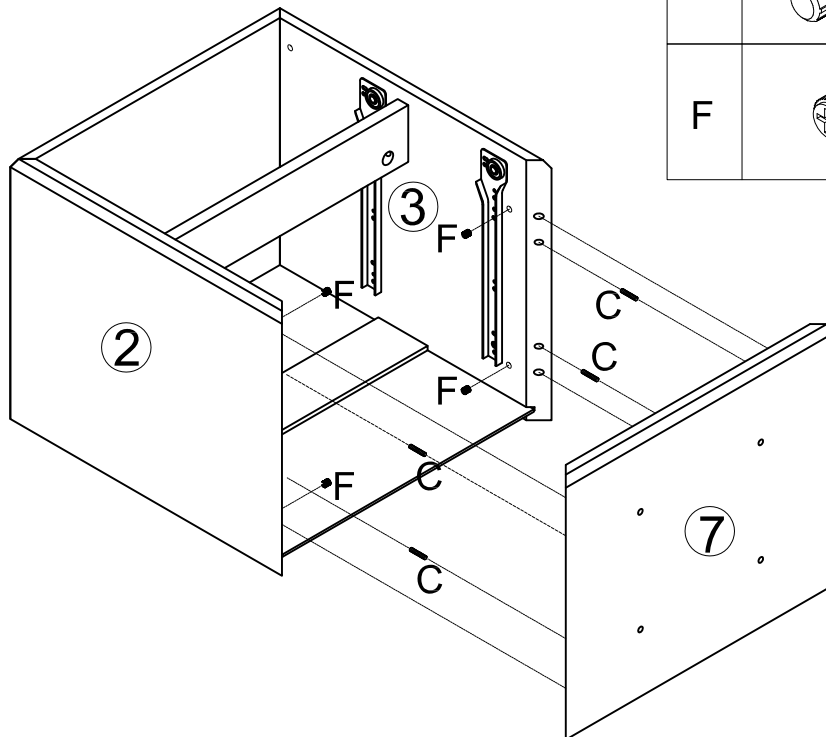
Step 7

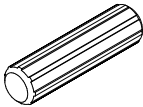
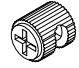



C		4	
F		4	



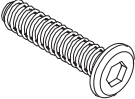

Step 8

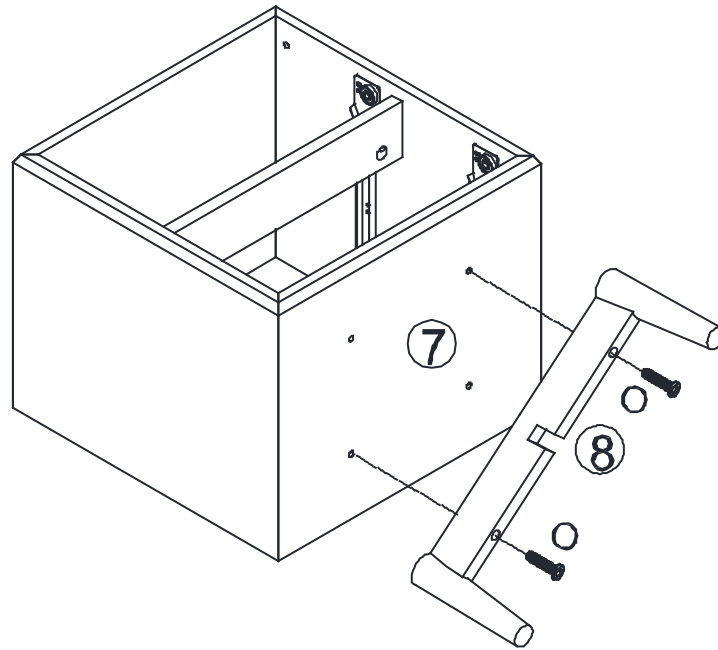


C		4	
F		4	

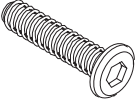


ASSEMBLY INSTRUCTIONS

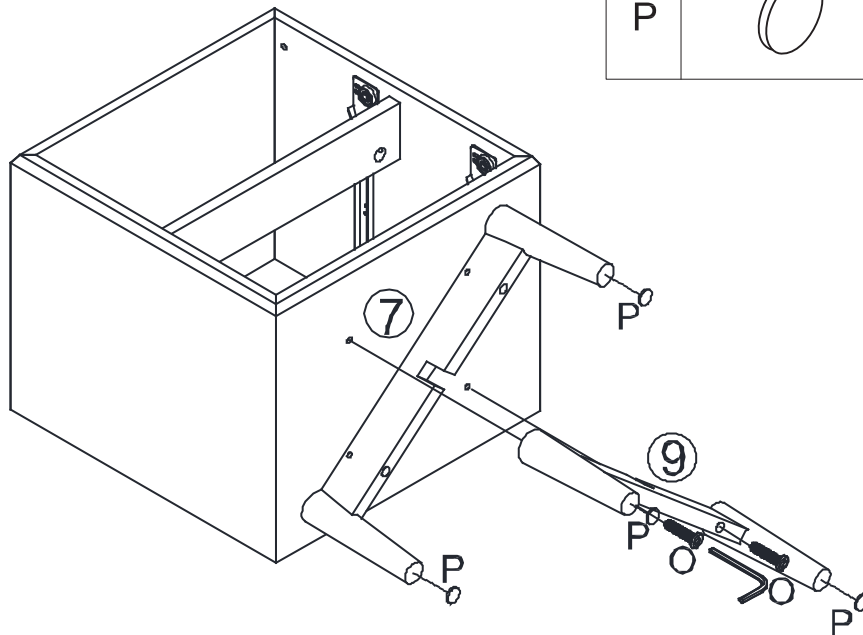
Step 9

O		2	
---	---	---	---



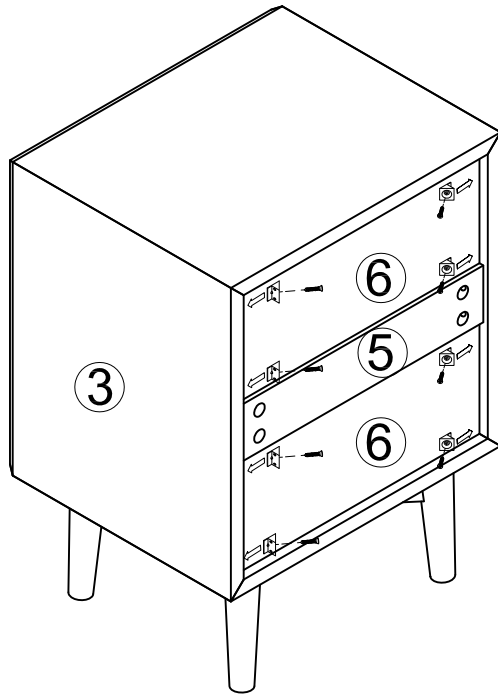
Step 10

O		2	
P		4	

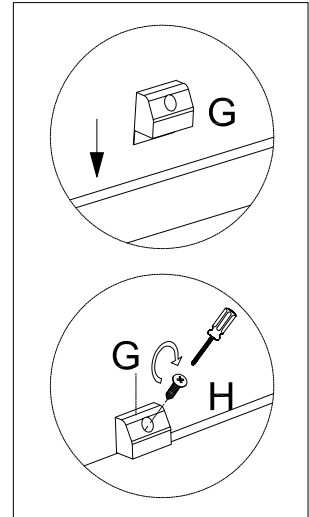


ASSEMBLY INSTRUCTIONS

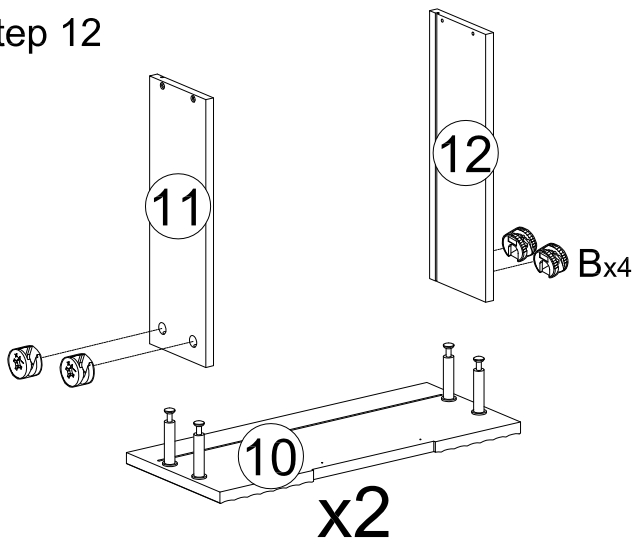
Step 11



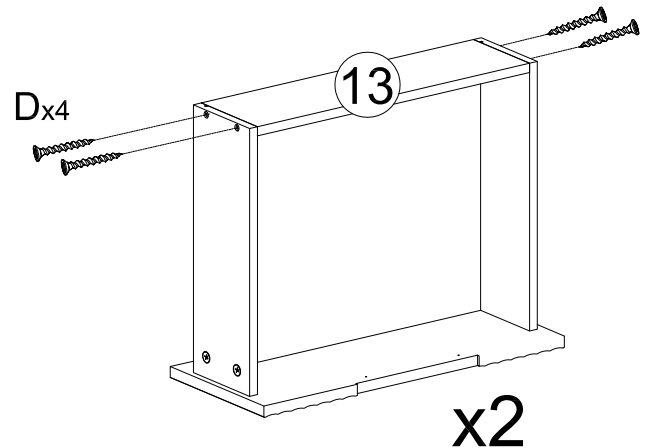
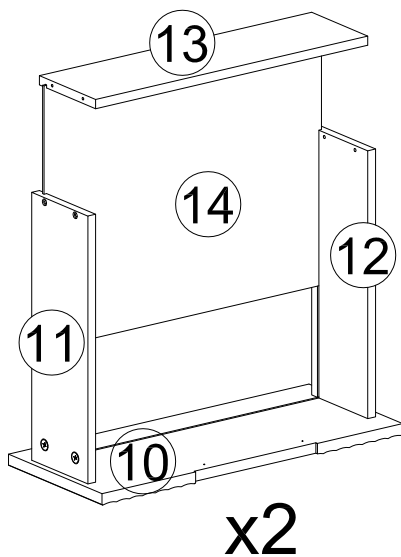
G		8	
H		8	



Step 12

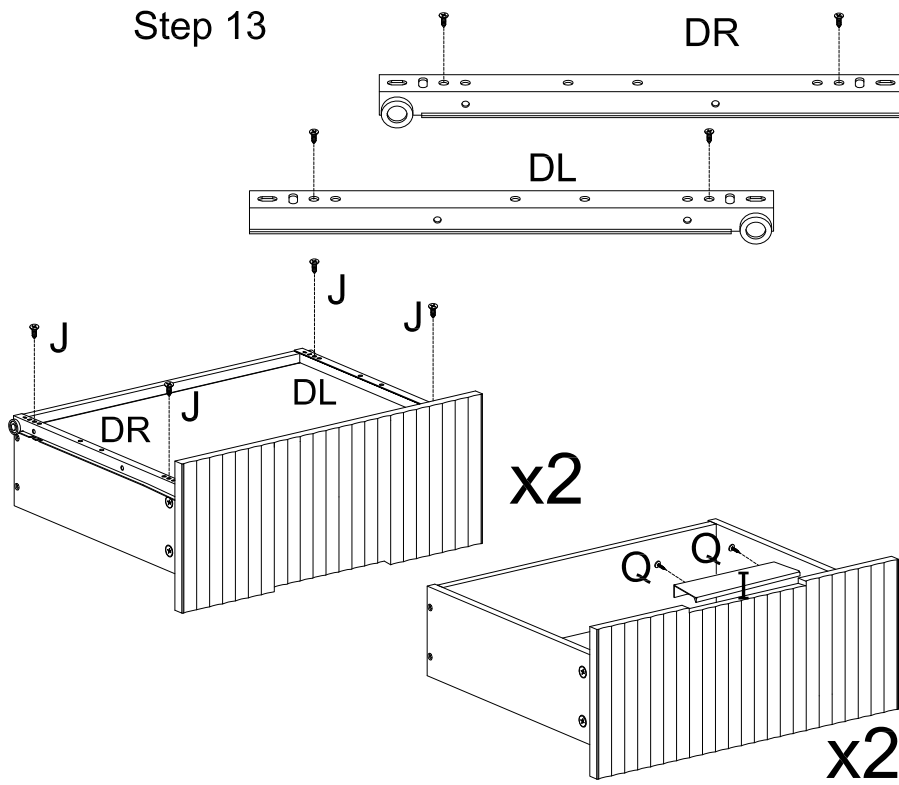


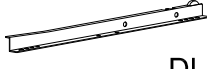

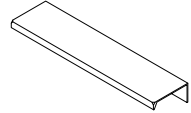




B		8	
D		8	



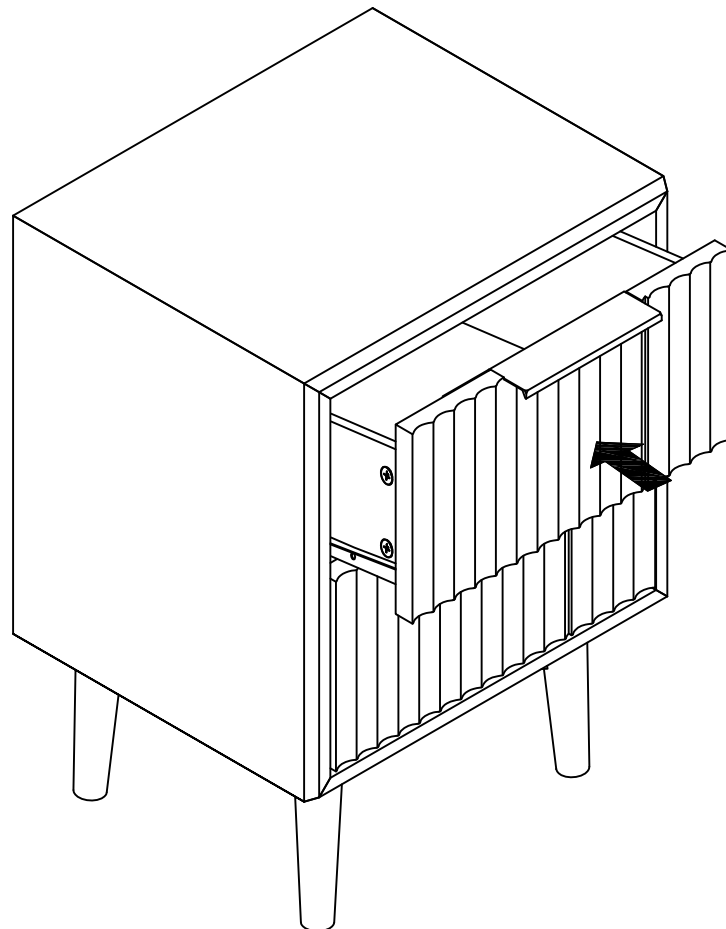
ASSEMBLY INSTRUCTIONS

Step 13

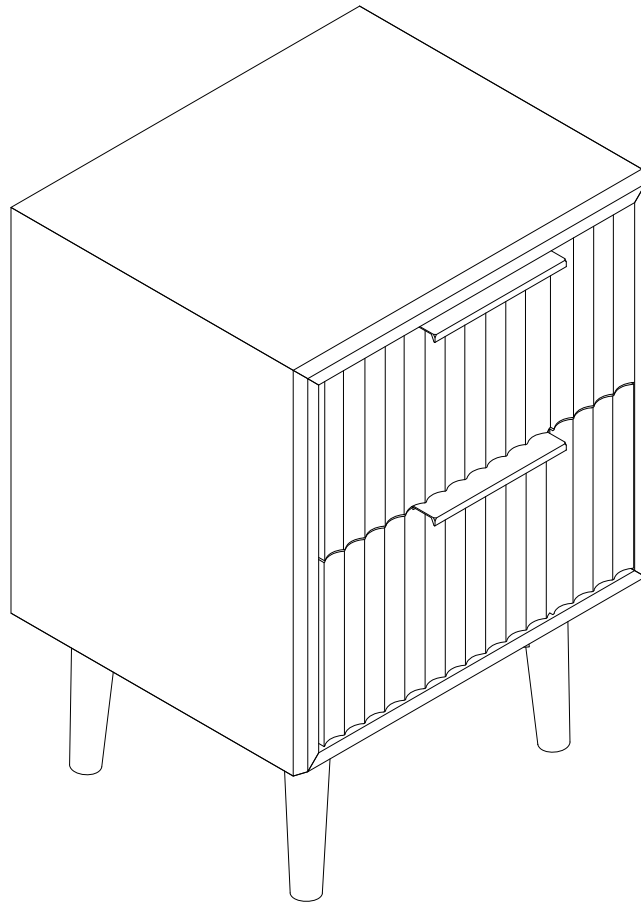


M	 DL	2	
N	 DR	2	
I		2	
J		8	
Q		4	

Step 14



ASSEMBLY INSTRUCTIONS



Congratulations.
Now you have finished assembling the product.