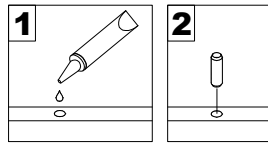


Assembly Instructions

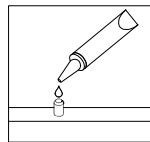


General Assembly Guidelines

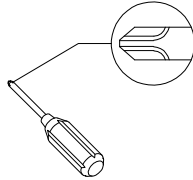
- I. Ensure that all parts and hardware are available before beginning assembly.
- II. Follow each step carefully to ensure the proper assembly of this product.
- III. Two people are recommended for ease in the assembly of this product.
- IV. The three main types of hardware used to assemble this product are : wood dowels , screws and bolts.
- V. The provided glue is to secure wood dowels in place . When first inserting dowels , locate the appropriate hole for the dowel , place a small amount of glue in the hole and insert the dowel . Wipe away excess glue immediately.



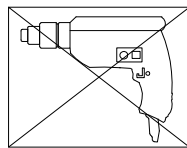
In future assembly steps when dowels are necessary to attach assembly parts together , place a small amount of glue on the end of the dowel before attaching parts together . Wipe away excess glue immediately.



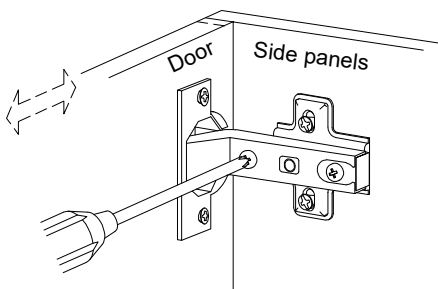
- VI. A Phillips head screwdriver is required for the assembly of this product .



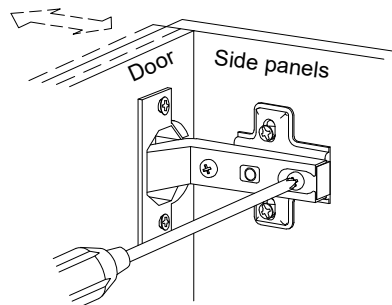
- VII. Power tools should not be used to assemble this product .



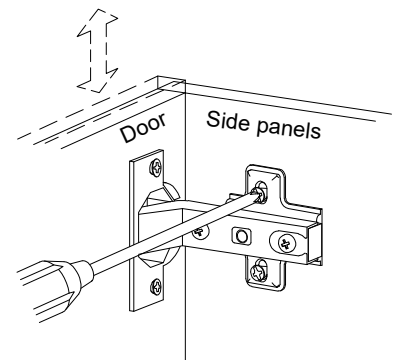
- VIII. Concealed hinges are three-way adjustable.



Horizontal
by screw adjustment

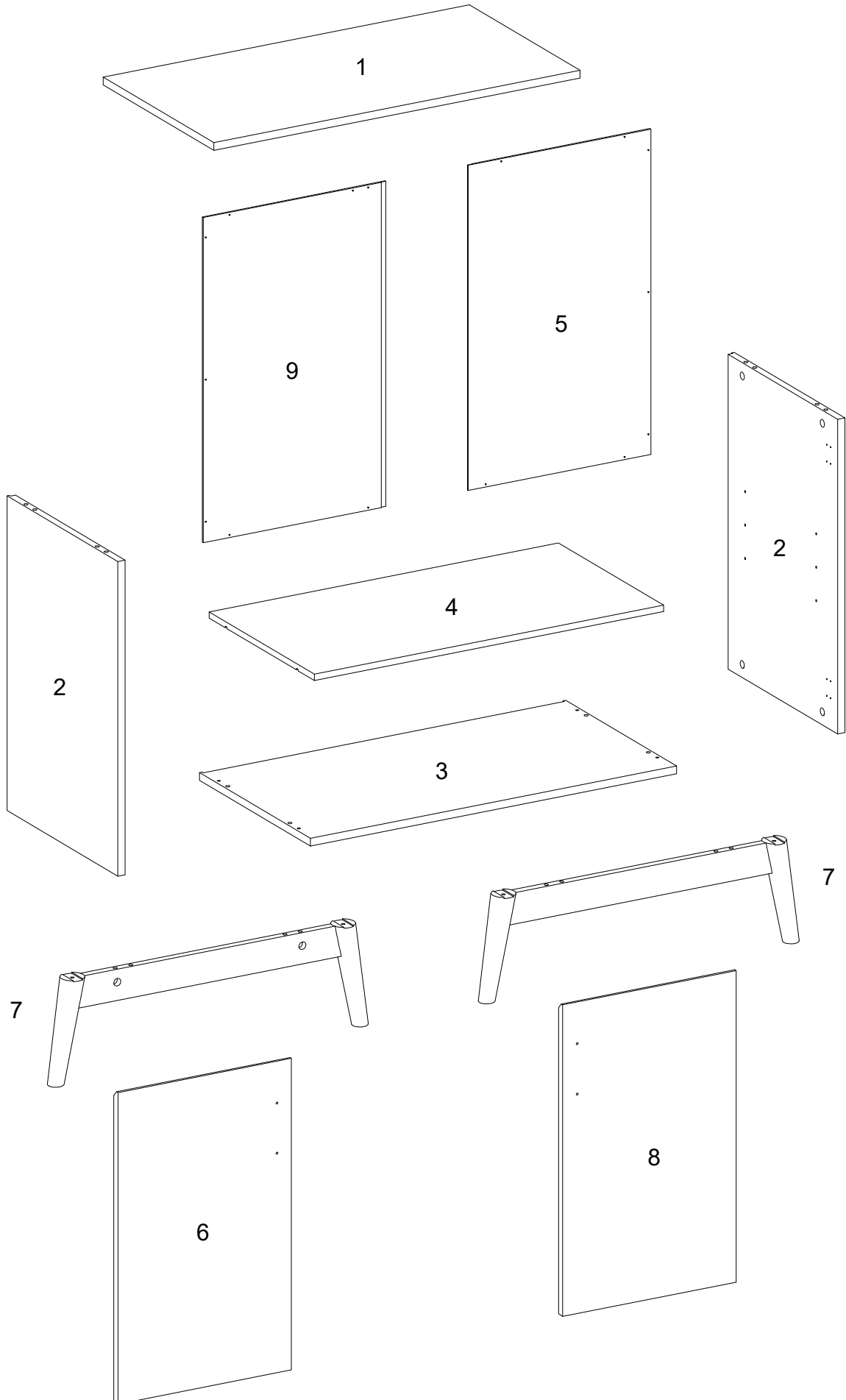


In-and-Out
by loosening the hinge-arm
mounting screw or via cam
adjustment









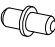
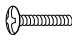
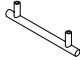








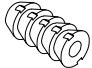

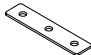
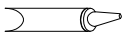


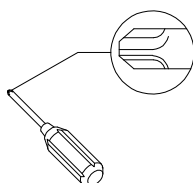
Vertical
Via slots in the mounting
plate or via cam adjustment

Parts List



Hardware List

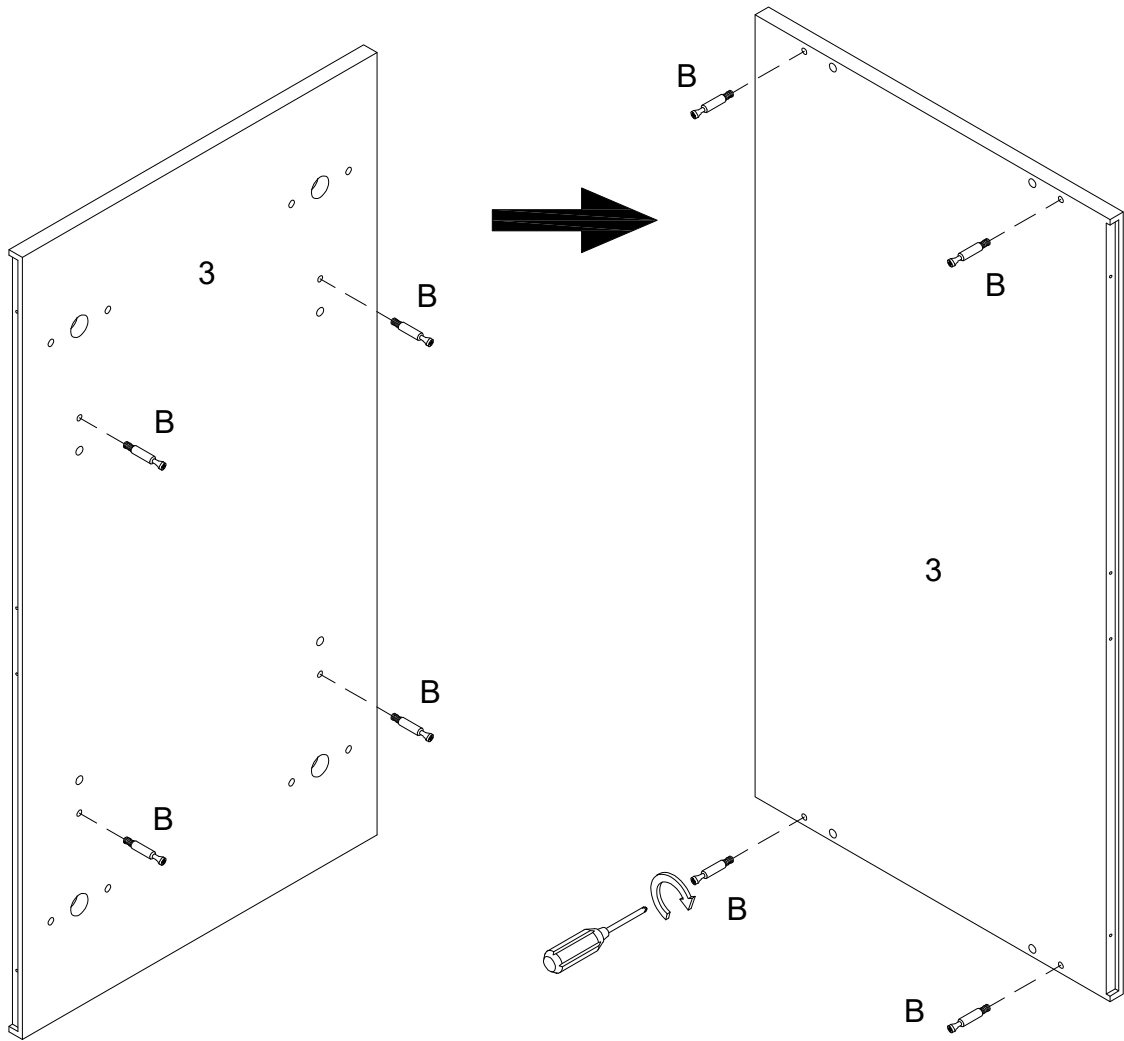
A		Ø8x30mm	Wooden dowel	12	pcs
B		Ø6x32mm	Cam bolt	12	pcs
C		Ø15x9.5mm	Cam lock	12	pcs
D			Sticker	12	pcs
E		Ø6x15mm	Bolt	8	pcs
F		Ø6x30mm	Bolt	4	pcs
G			Flat washer	12	pcs
H			Lock washer	12	pcs
J			Shelf support pin	4	pcs
K		Ø4x18mm	Handle Bolt	4	pcs
L			Handle	2	pcs
M			Europe hinge	4	pcs
N		Ø4x12mm	Bolt	24	pcs
P			Screw	14	pcs
Q		Ø3x15mm	Screw	2	pcs
R			Door stopper	1	pc
S		Ø3x16mm	Screw	1	pc
T		Ø4x25mm	Screw	1	pc
U			Plastic strap	1	pc
V			Nut	1	pc
W		M 4	Hex Key	1	pc
X			Plate	4	pcs
Y			Glue tube	1	pc



Philips head screwdriver required for assembly
(not included)

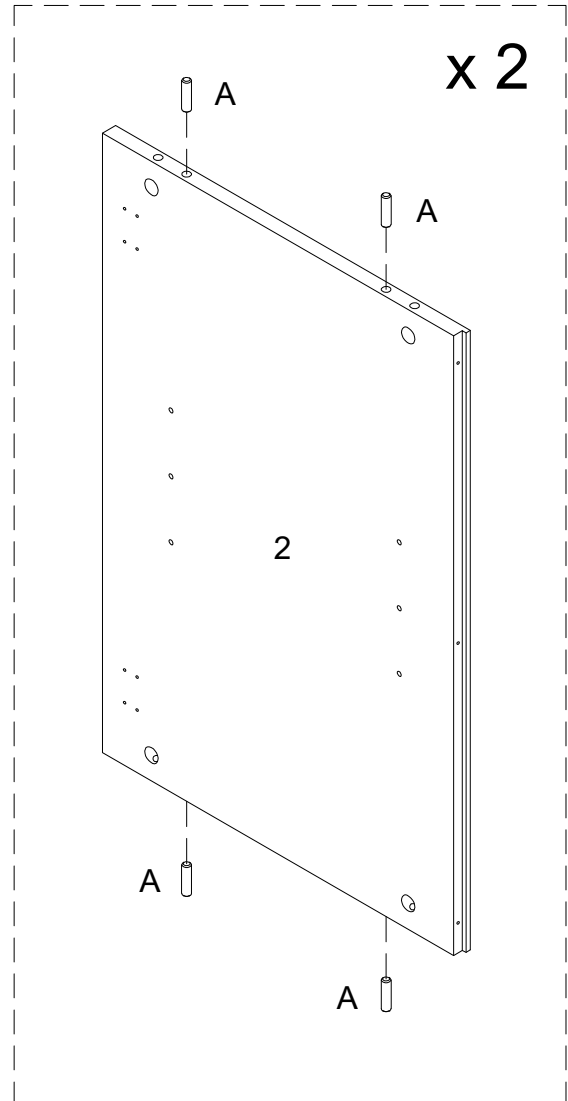
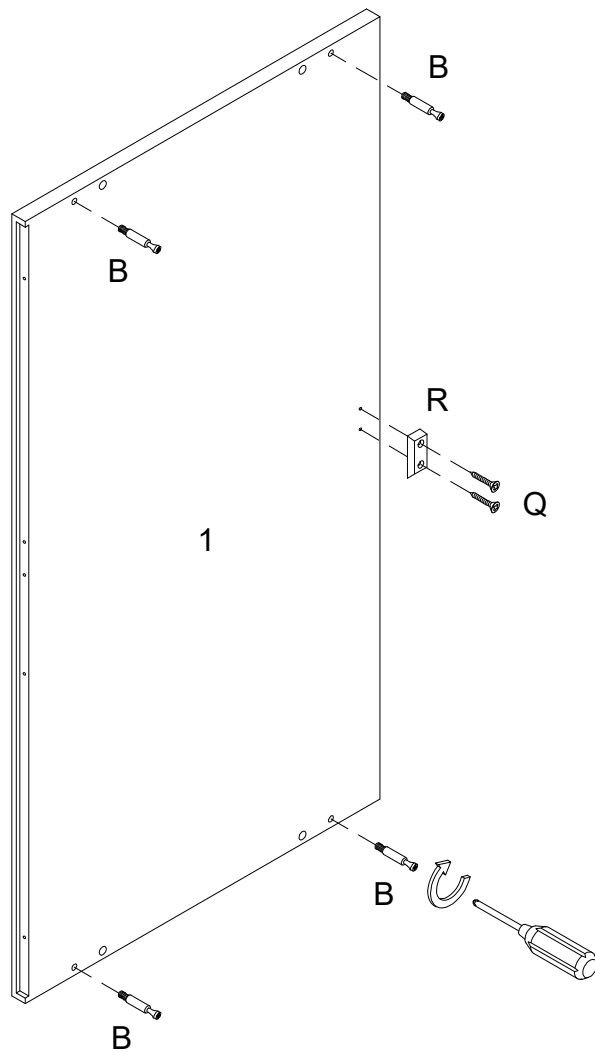
*The hardware quantities listed above are required for proper assembly.
Some extra hardware may also have been included.*

Step 1



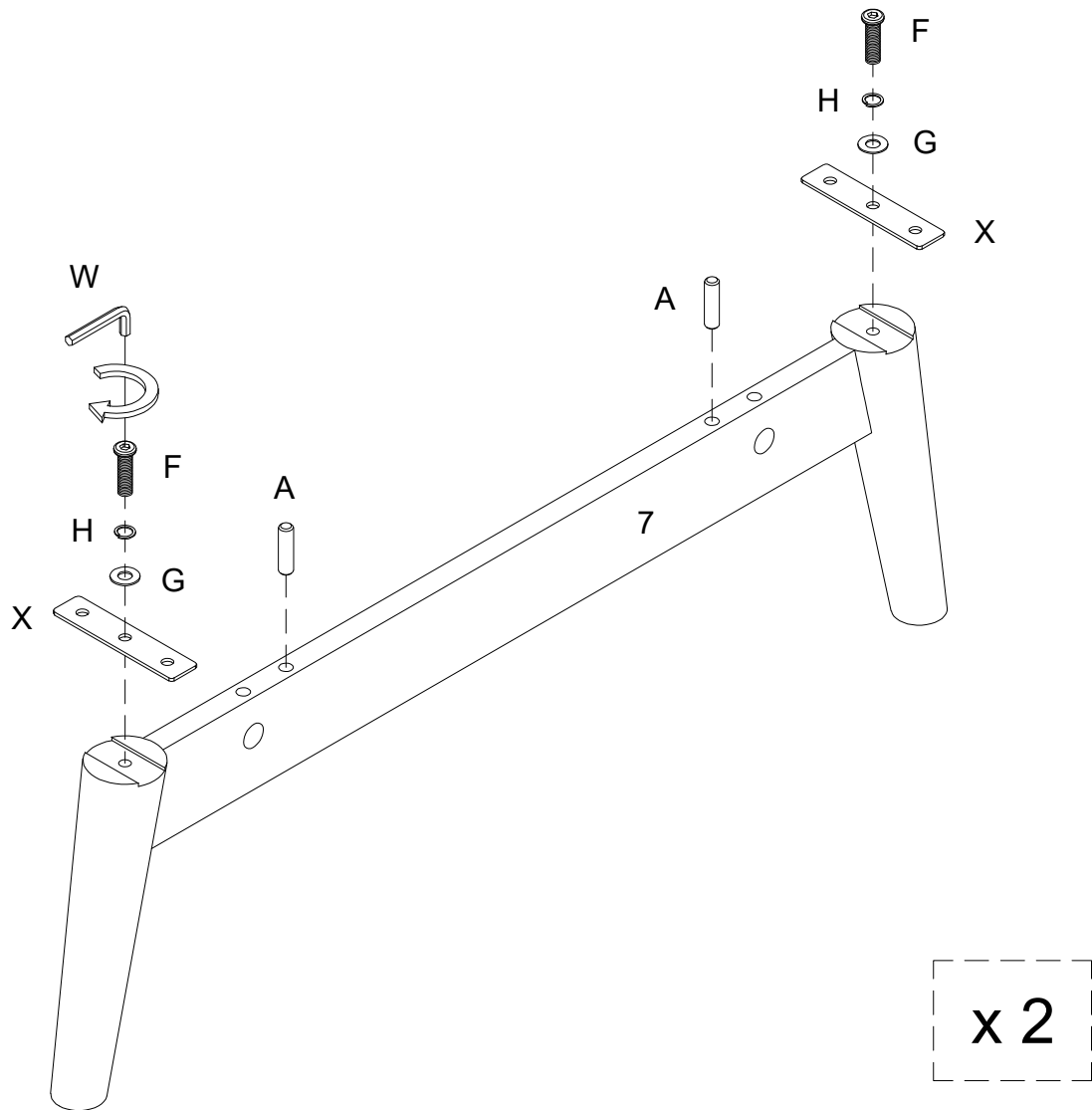
Secure cam bolt (B) into part (3) with Philips head screwdriver as per diagram.

Step 2



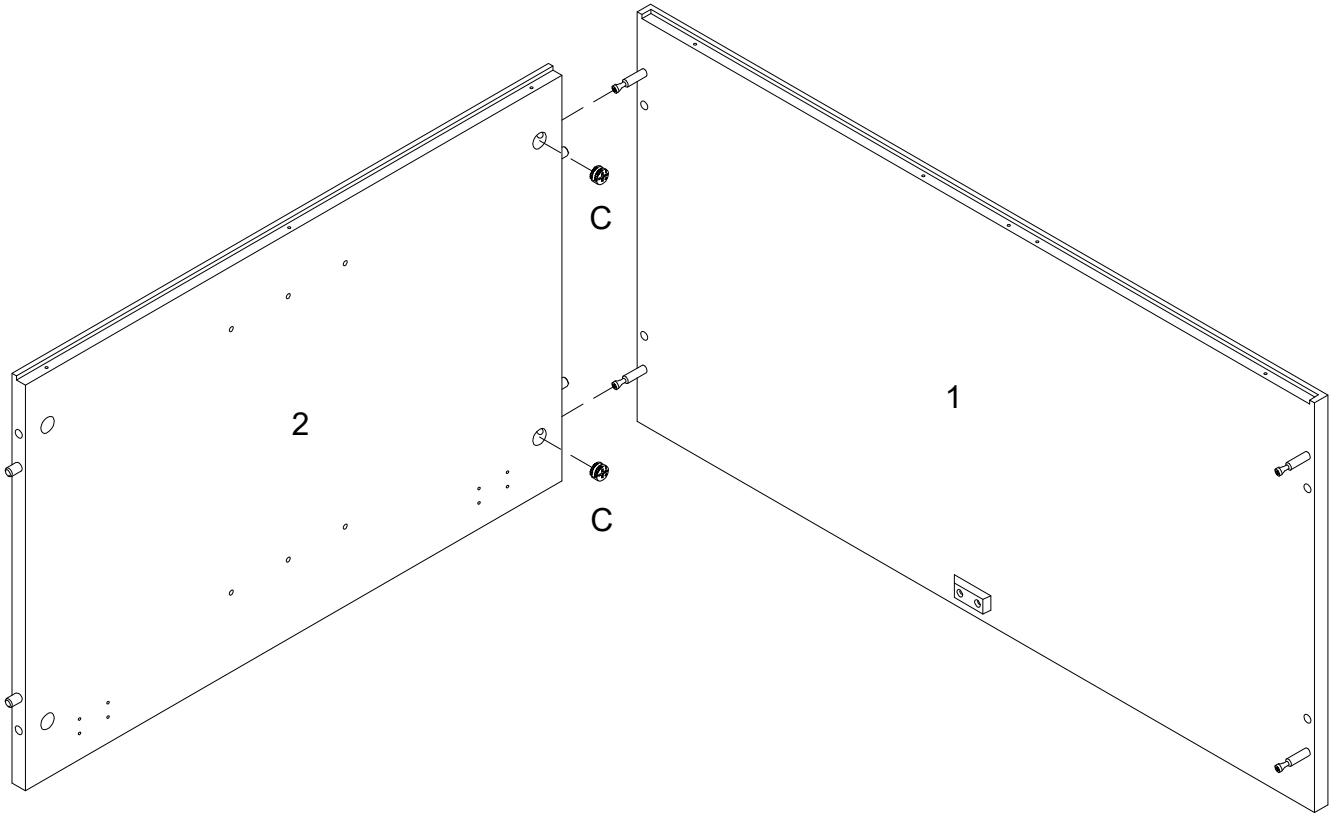
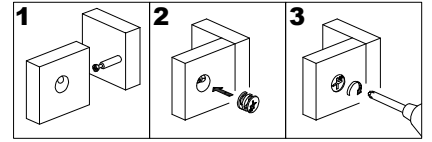
Insert wooden dowel (A) into part (2), secure cam bolt (B) into part (1), using screw (Q) attach stopper (R) to part (1) with Philips head screwdriver as per diagram.

Step 3



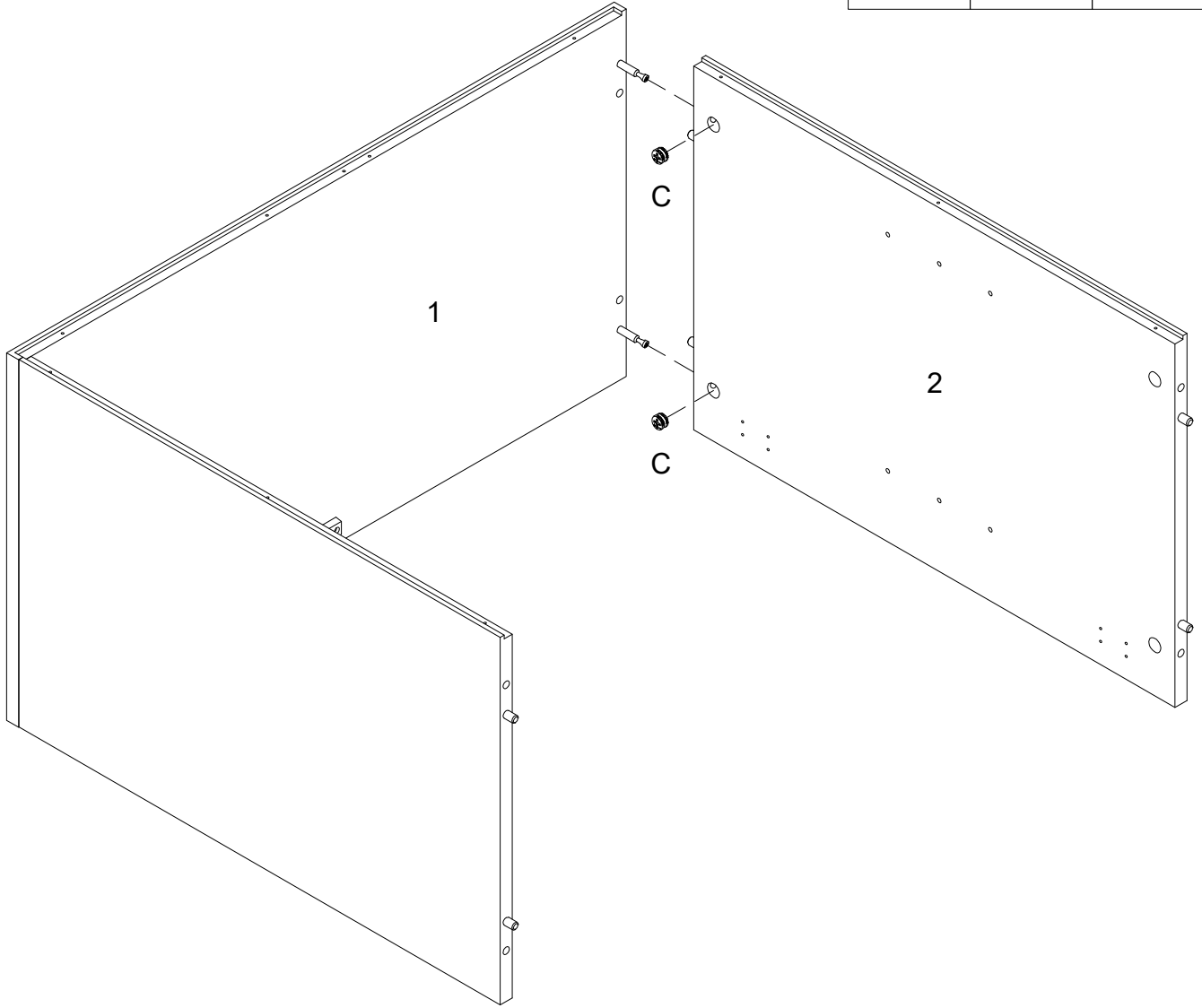
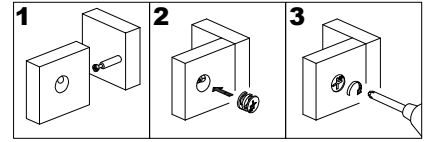
Insert wooden dowel (A) to part (7), then using bolt (F) with lock washer (H), flat washer (G) secure plate (X) to part (7) with hex key (W) as per diagram.

Step 4



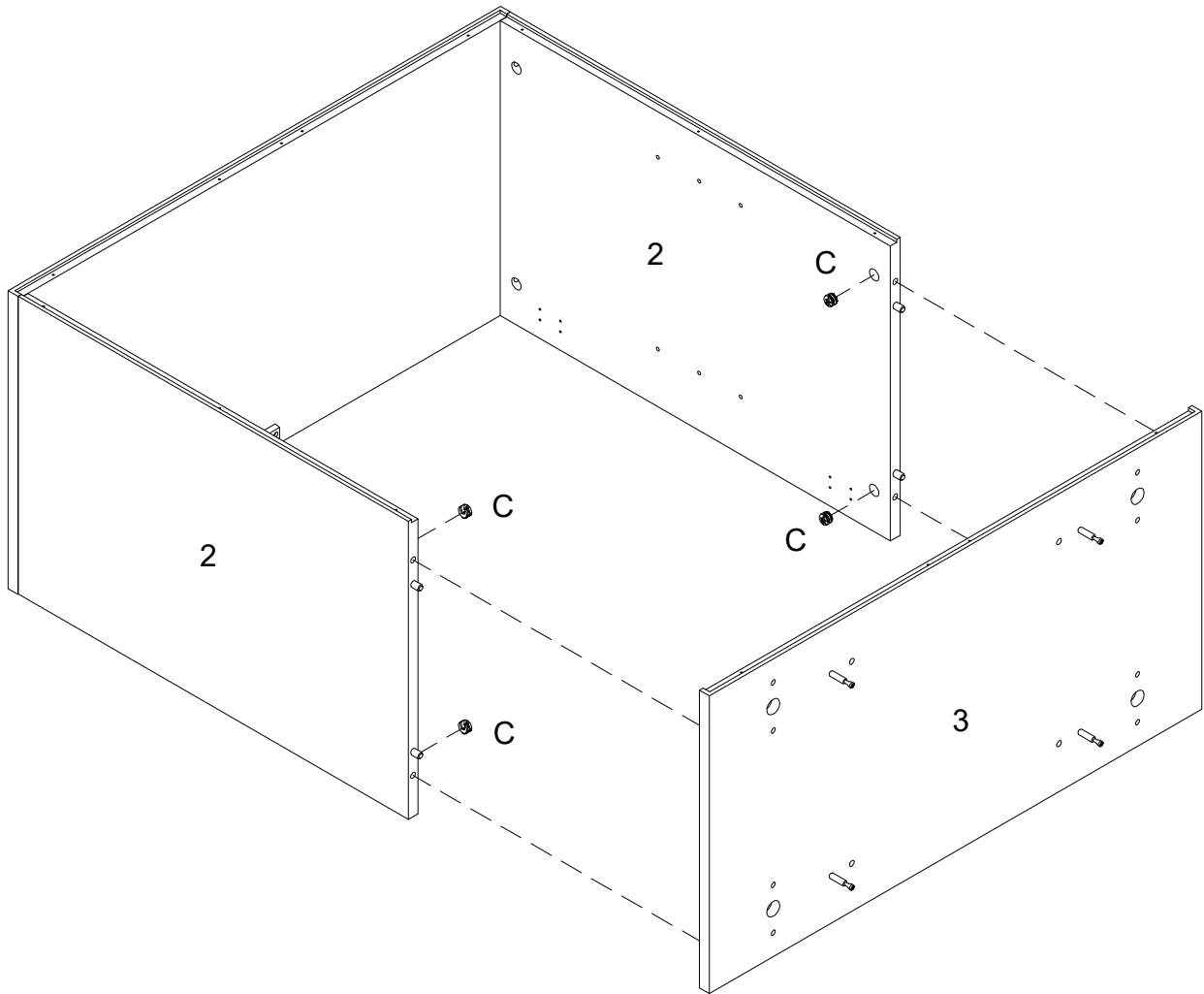
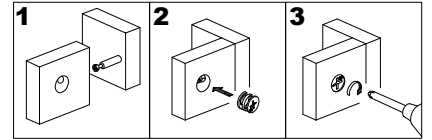
Using cam lock(C) secure part (2) to part (1) with Philips head screwdriver as per diagram.

Step 5



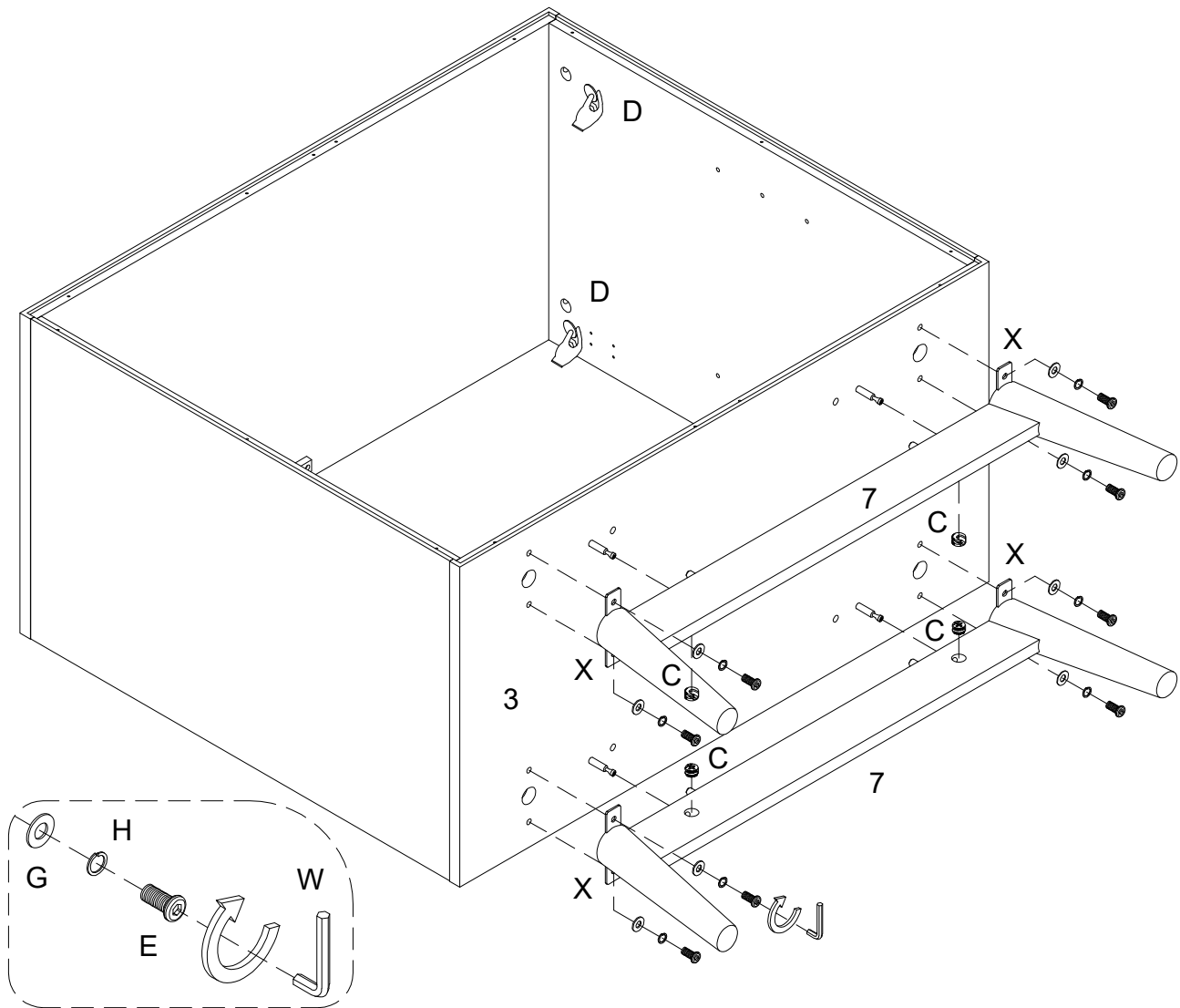
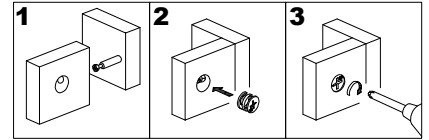
Using cam lock(C) secure part (2) to part (1) with Philips head screwdriver as per diagram.

Step 6



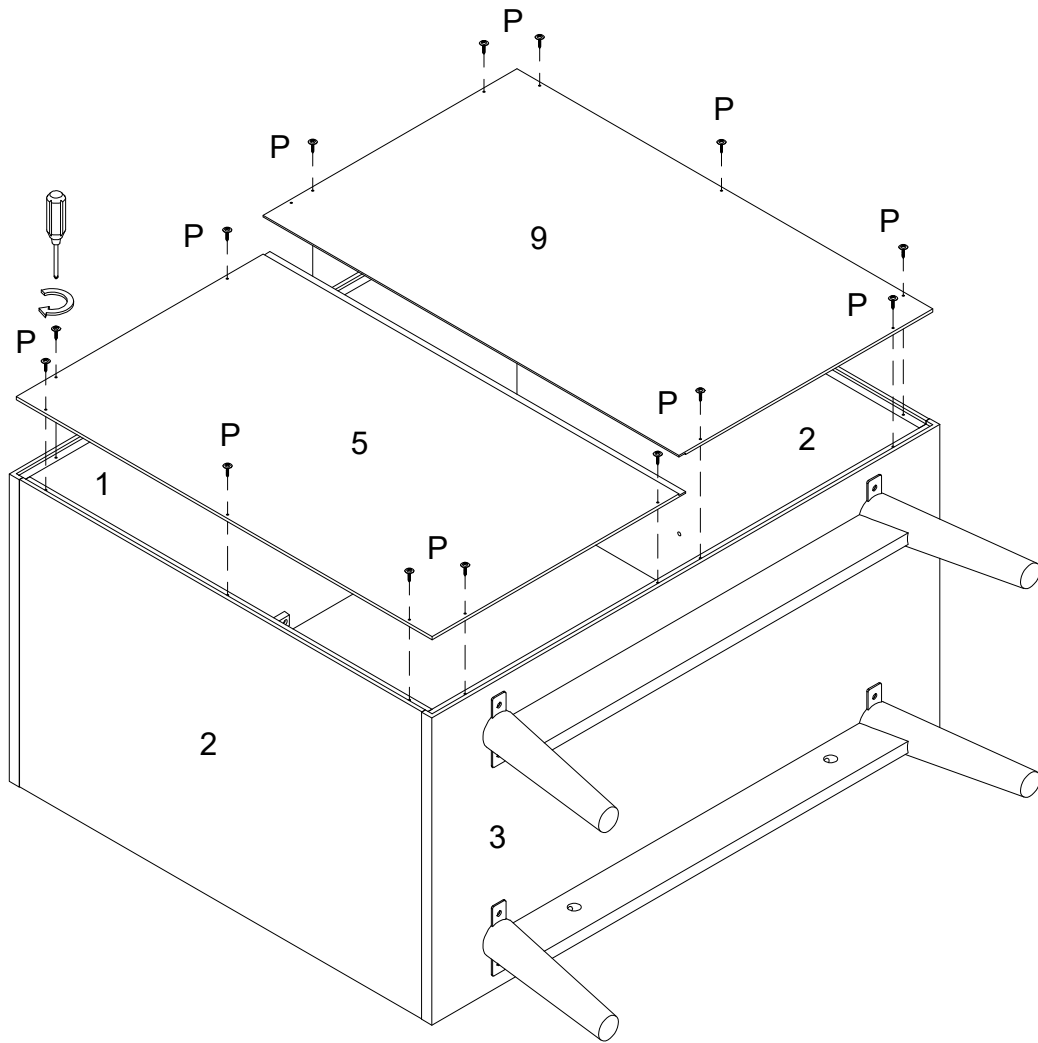
Using cam lock(C) secure part (3) to part (2) with Philips head screwdriver as per diagram.

Step 7



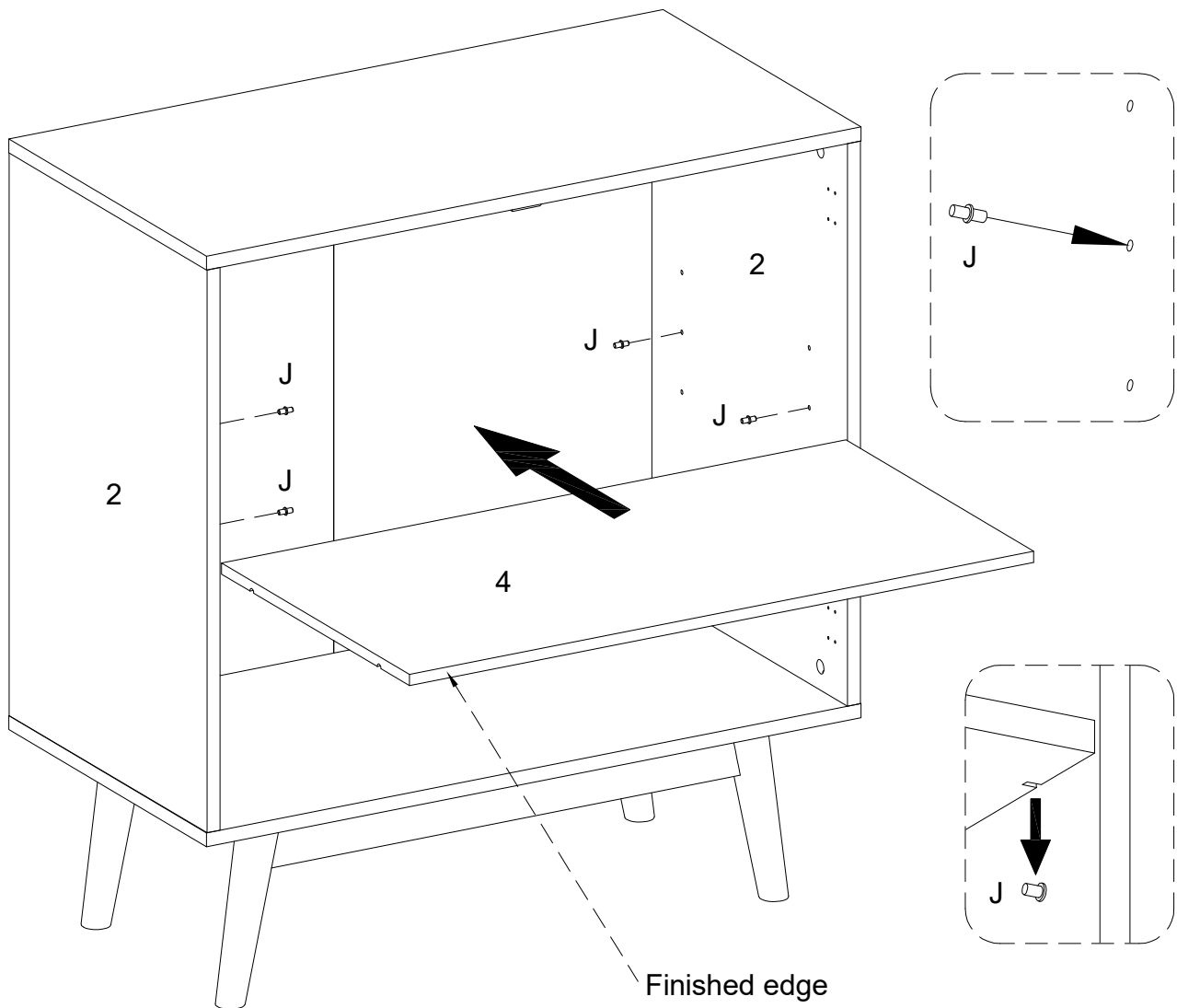
Using cam lock(C) secure part (7) to part (3) with Philips head screwdriver .and using bolt (E) with lock washer (H),flat washer (G) secure plate (X) to part (3) with hex key (W) as per diagram. Place sticker (D) cover the holes as per diagram finally.

Step 8



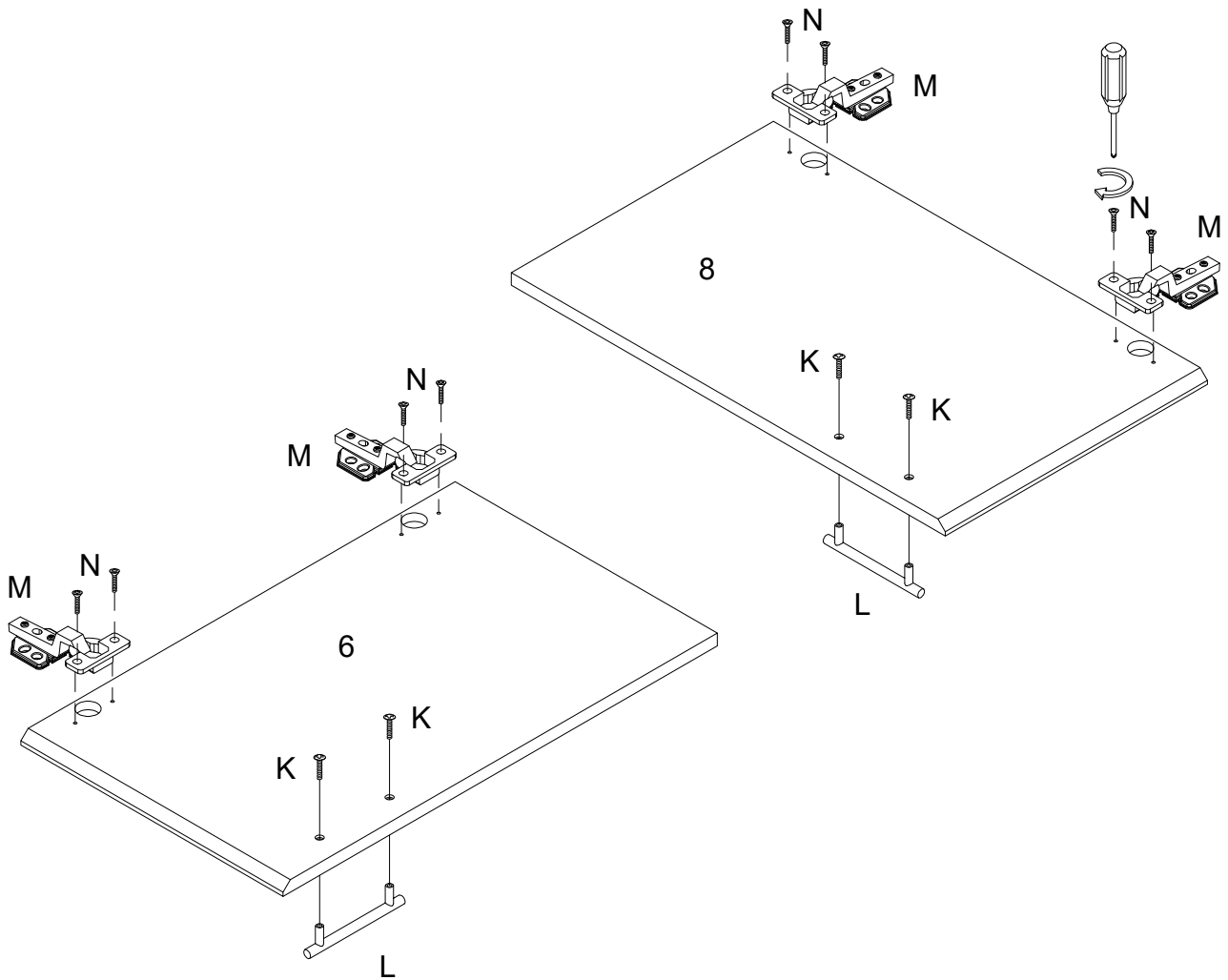
Using screw(P) attach parts (5,9) to parts (1,2) with Philips head screwdriver as per diagram.

Step 9



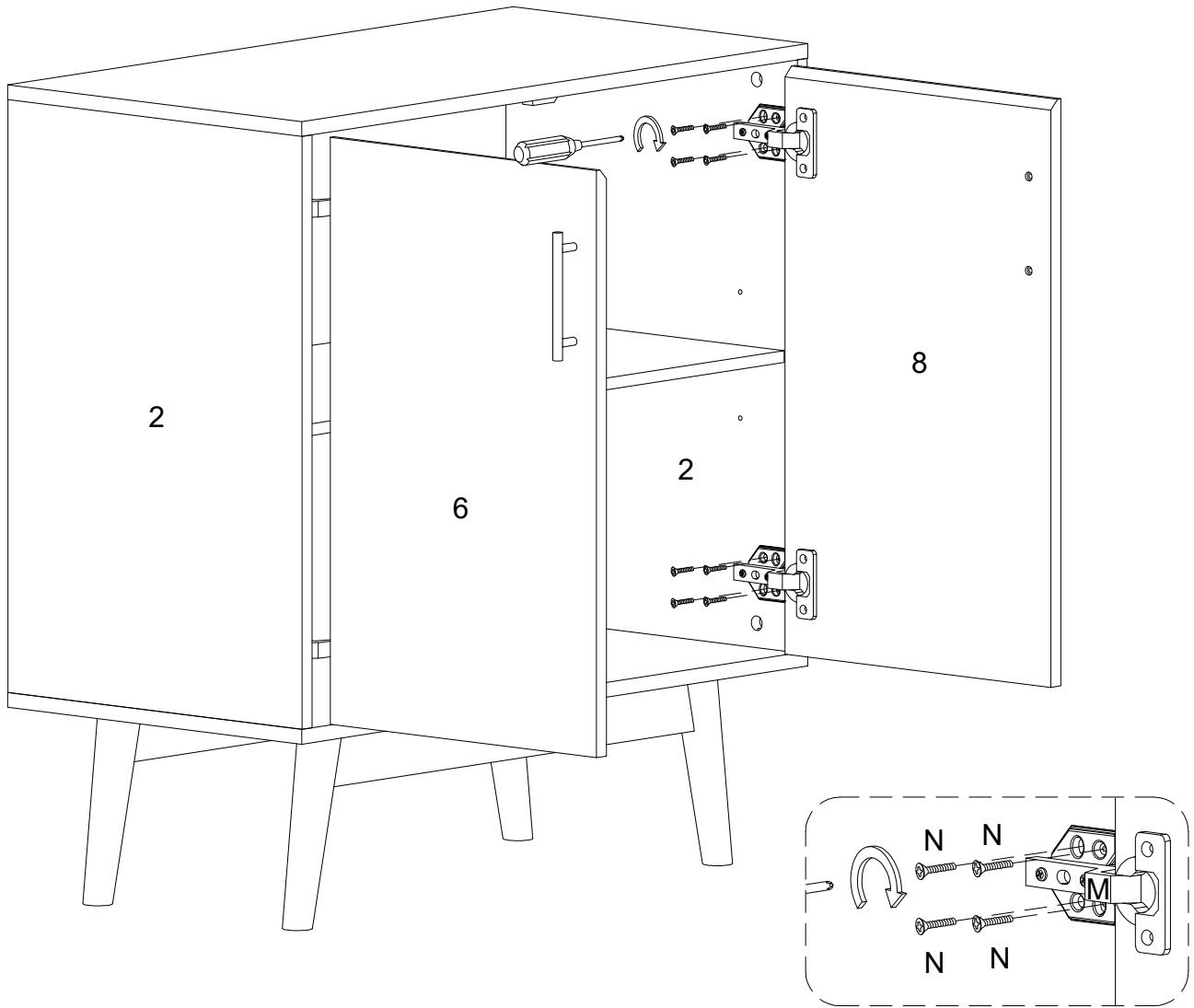
Insert shelf support pin (J) into part (2) as per diagram. Make sure you place the four shelf support pins (J) in the same level. So the shelf is not tilted. Put part (4) into unit as per diagram. Tilt and rest the adjustable shelf(4) onto the shelf support pins .

Step 10



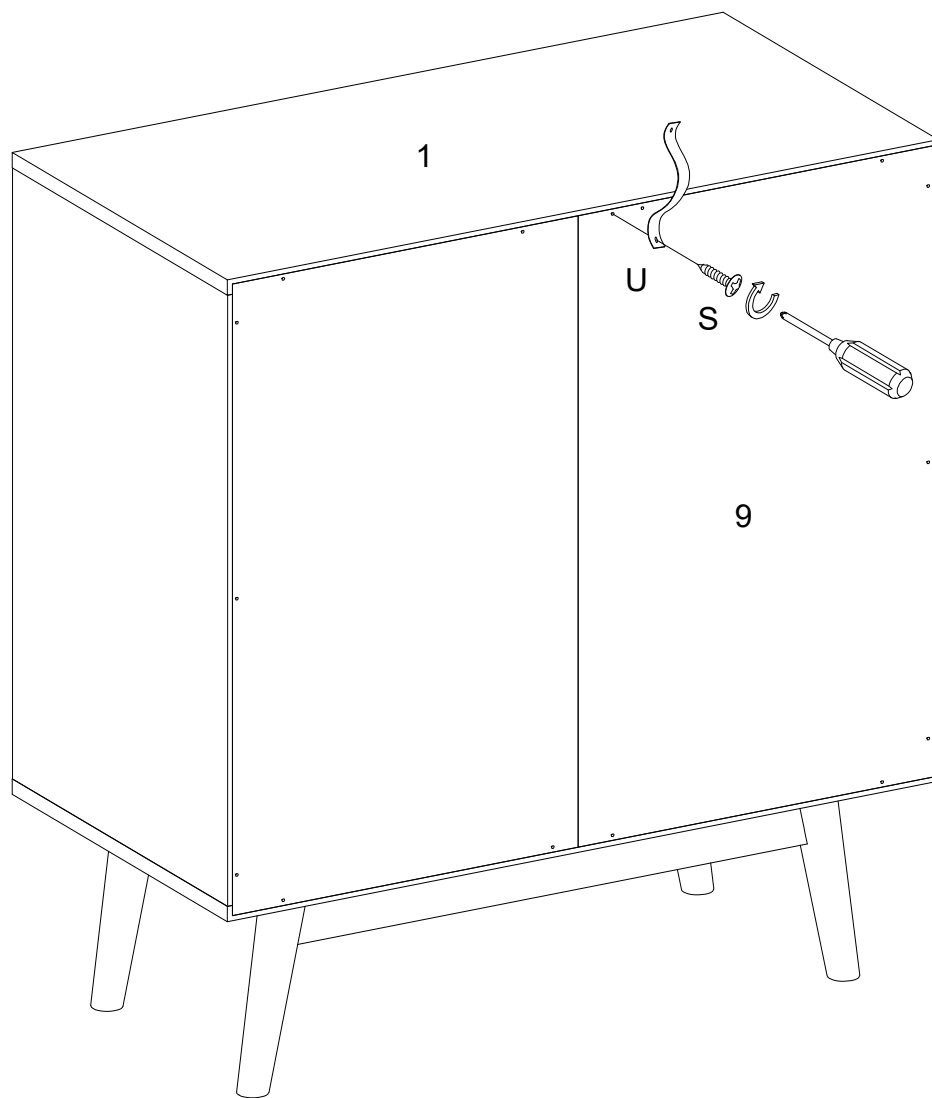
Using screw (N) attach Europe hinge (M) to parts (6,8) , then using handle bolt (K) secure handle (L) to parts (6,8) with Philips head screwdriver as per diagram.

Step 11



Using screw (N) attach Europe hinge (M) to part (2) with Philips head screwdriver as per diagram.

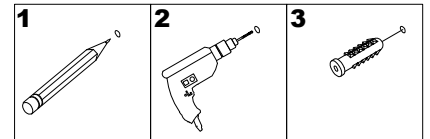
Step 12



Using screw (S) attach Velcro strap (U) into part (9) to part (1) with Philips head screwdriver as per diagram. Open and close the doors .if necessary adjust the screws for a good fit .

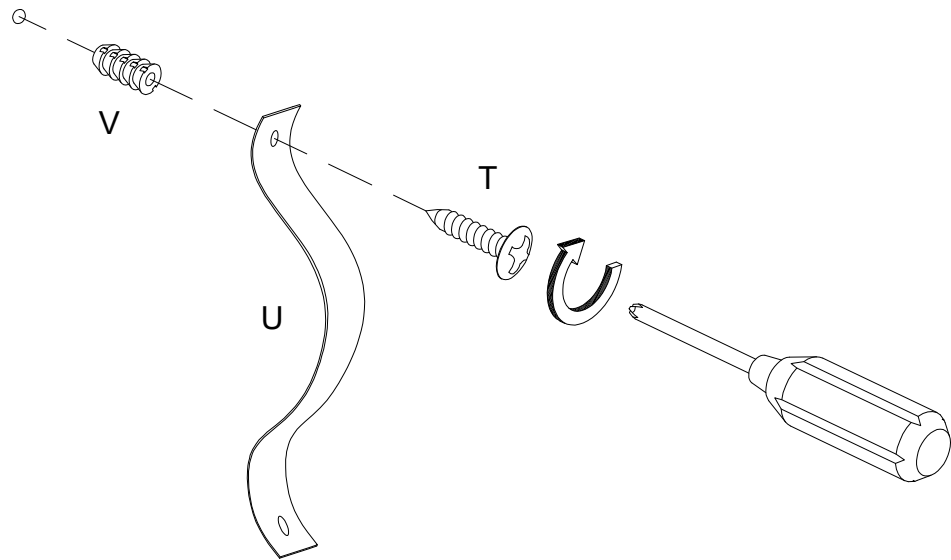
Step 13

WARNING



Serious or fatal injuries can occur from furniture tipping over. To prevent the furniture from tipping over we recommend that it is permanently fixed to the wall. Wall anchor and hardware are included with this product. Please make sure hardware is suitable for your walls before installing, as different wall materials may require different types of anchors.

Wall



Using screw (T) attach plastic strap (U) into nut (V) to wall with Philips head screwdriver as per diagram.

Step 14



Final Assembly