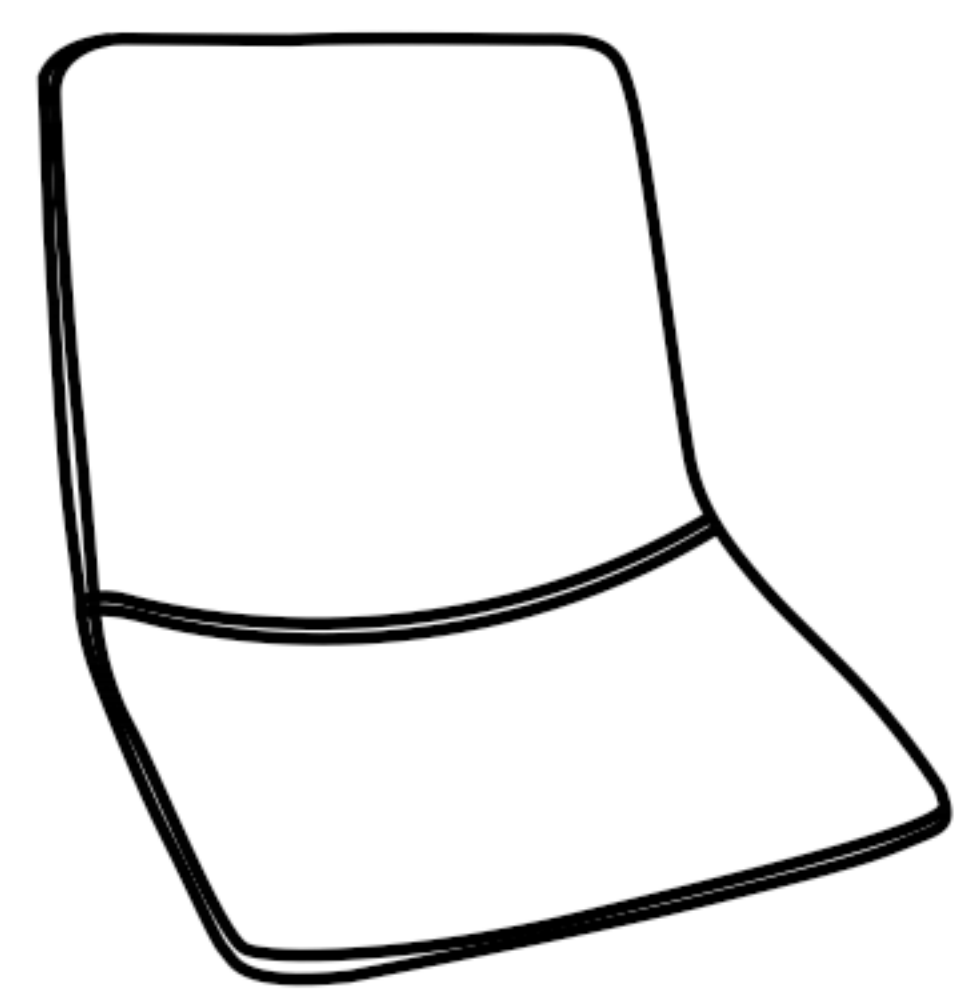
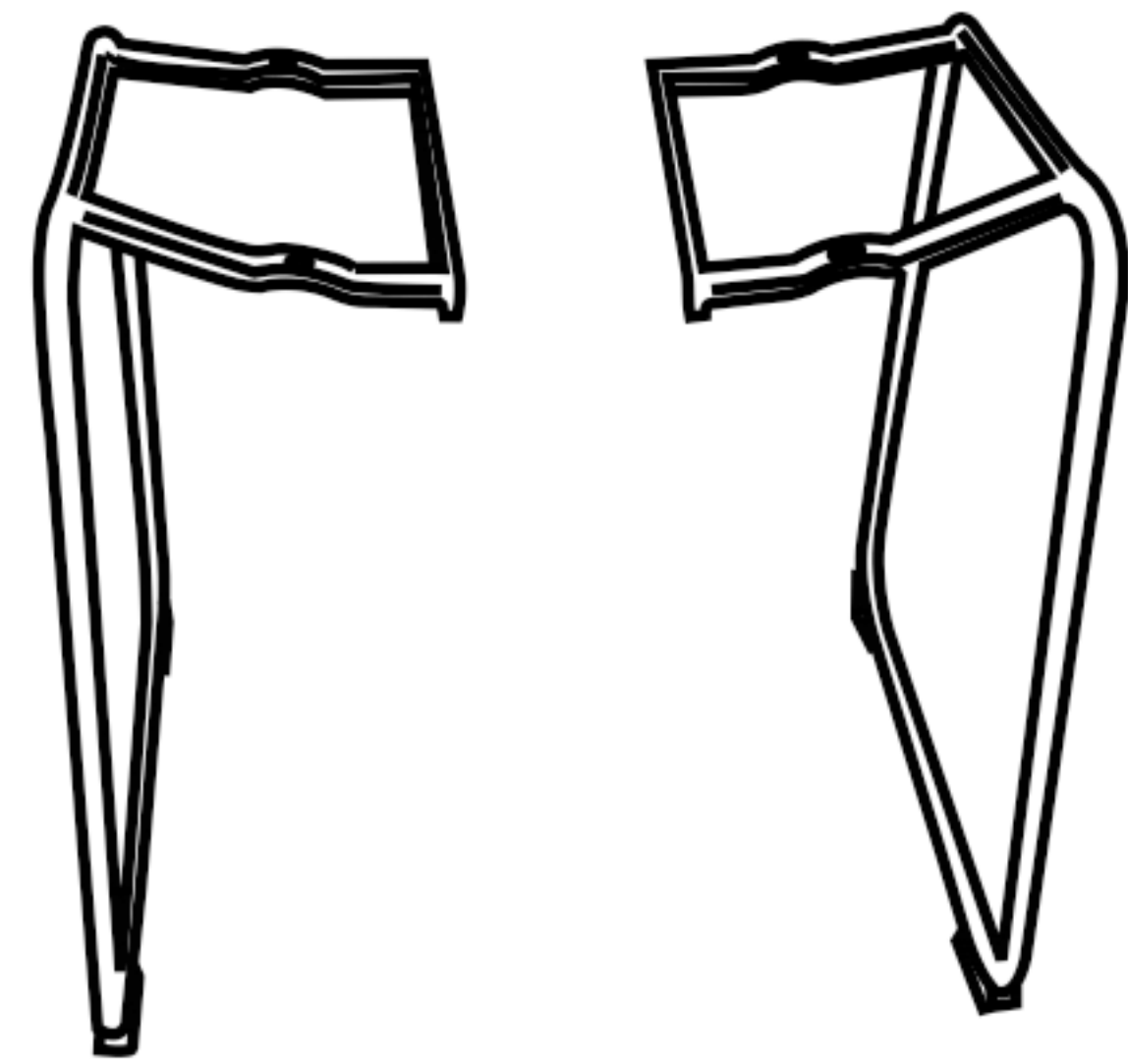


Ax1



Bx1



Cx2



Dx2



M8\*20mm

Ex8

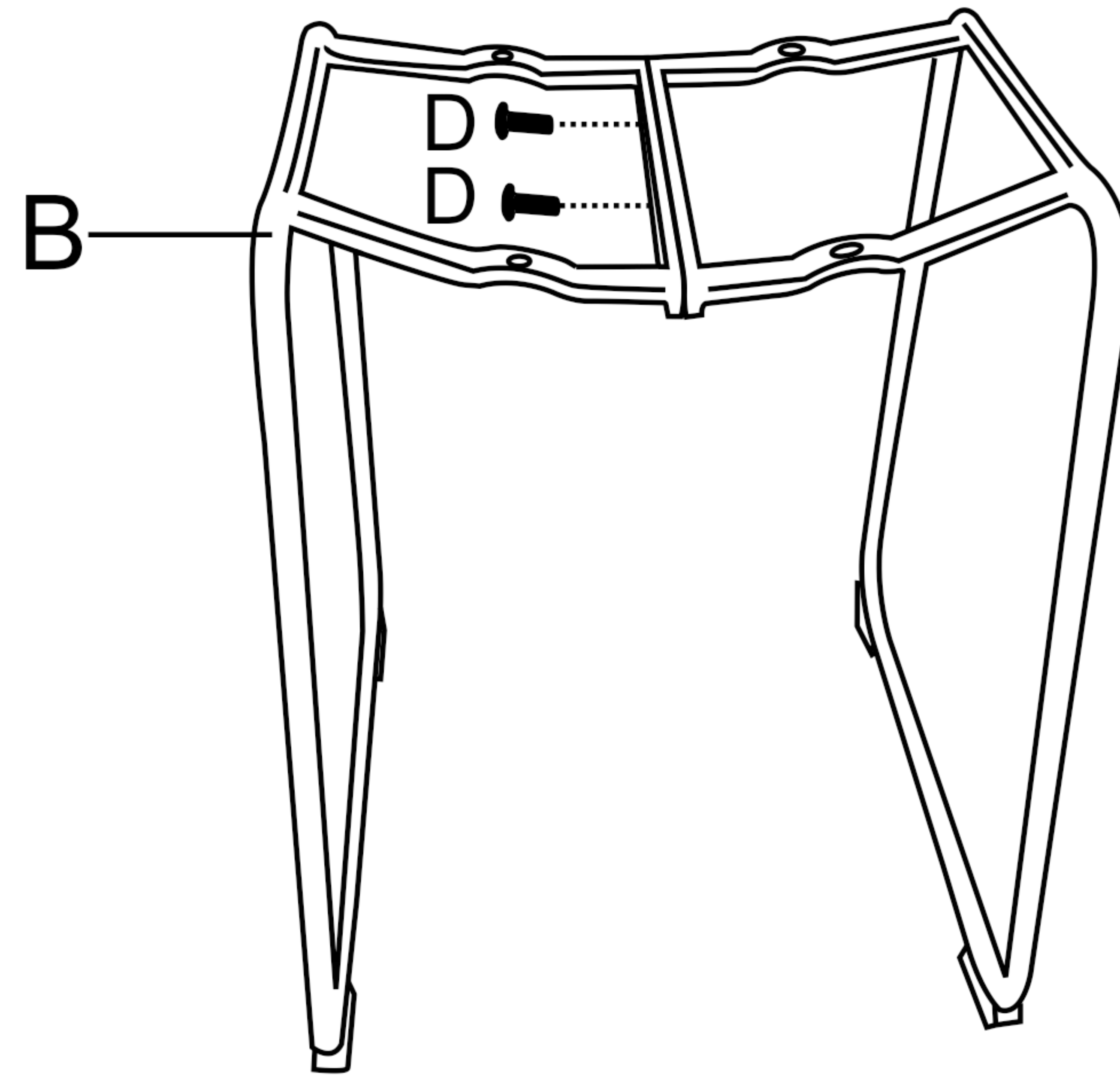


M6\*25mm

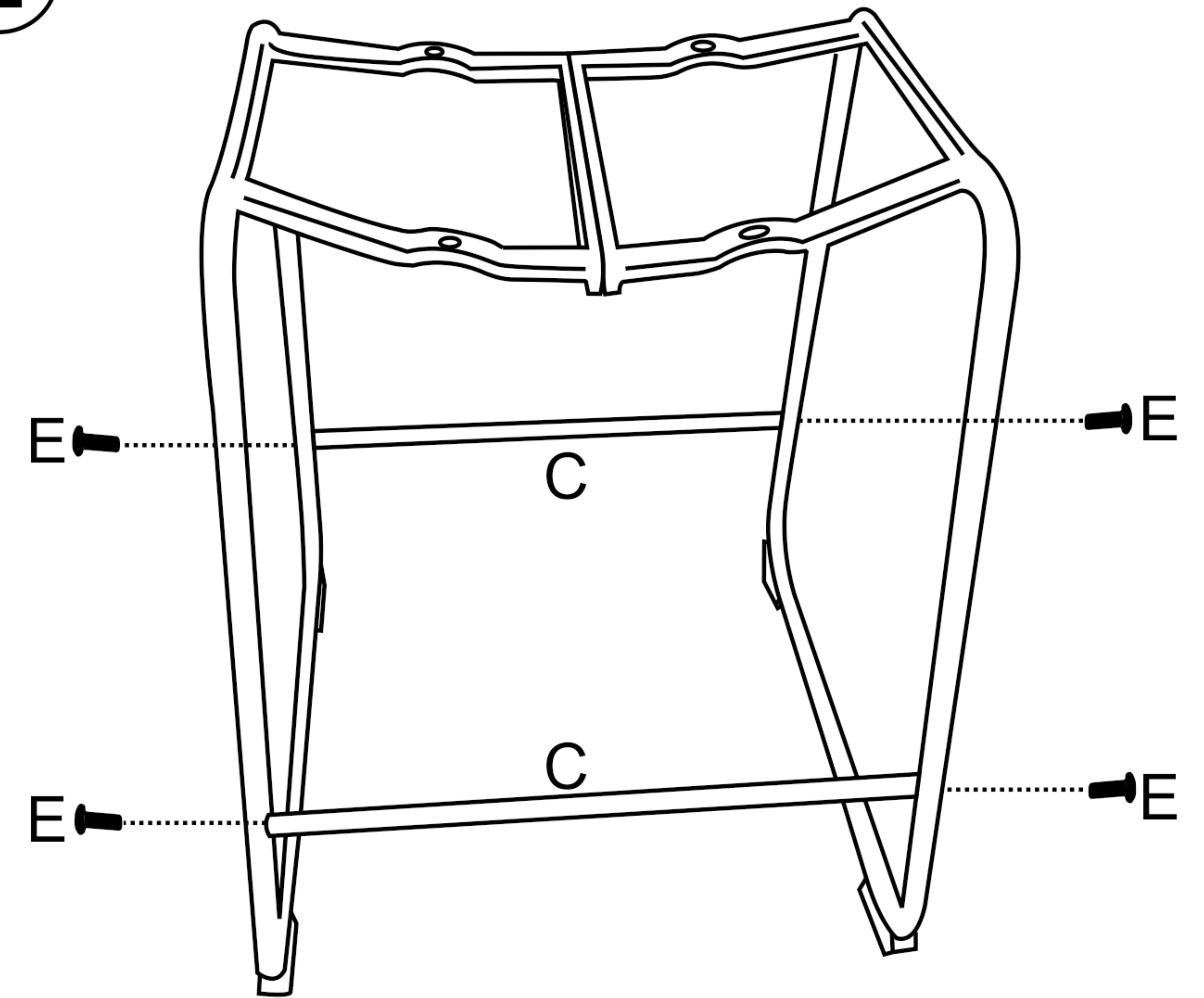
Fx1



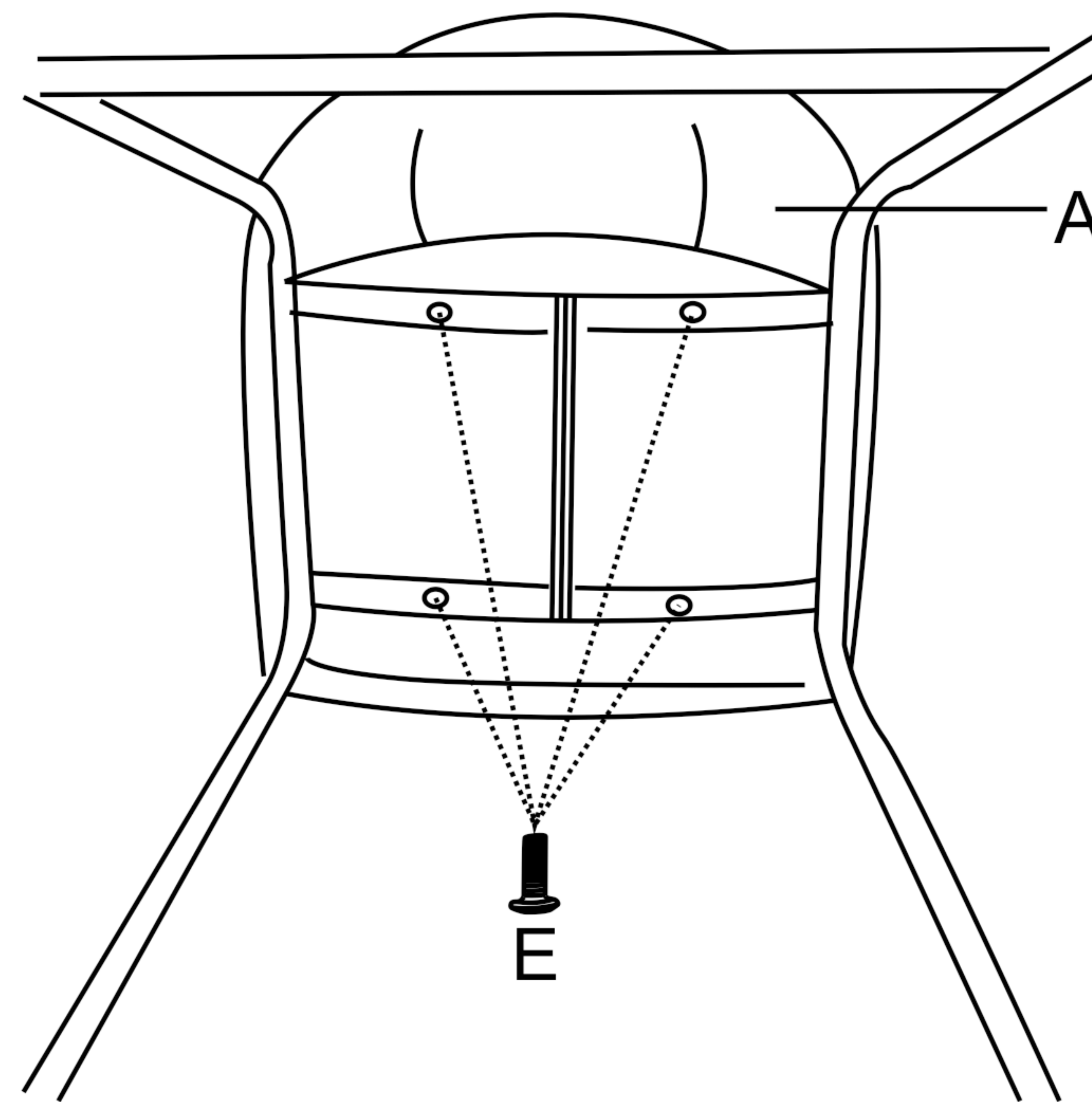
①



②



③



④

