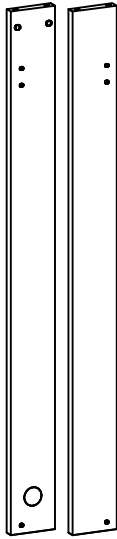
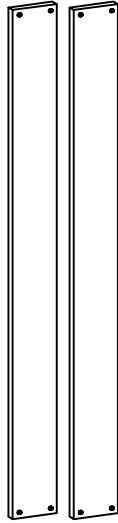


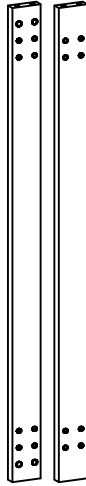
Ax2



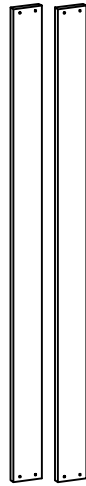
Bx2



Cx2



Dx3



Ex13



Fx6



M6x $\frac{135}{5.3}$
Gx2



M6x $\frac{60}{2.4}$
Hx20



M3.5x $\frac{28}{1.1}$
Ix52



Jx6



Kx20



Lx24



Mx24



Nx4



Ox4



Px4



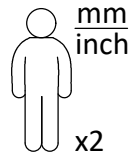
Qx4



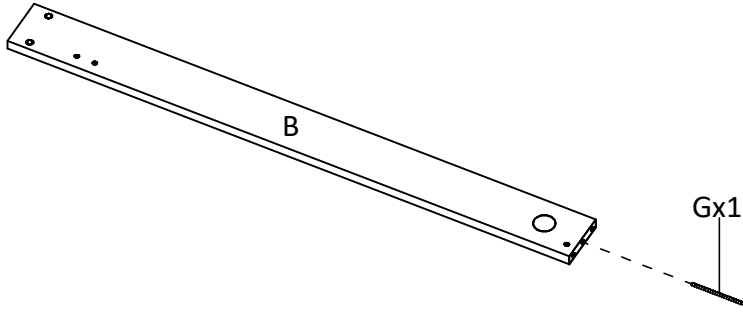
Rx1



M4x $\frac{32}{1.3}$
Sx36



①x2



Gx2

M6x $\frac{135}{5.3}$

②x2

Nx4



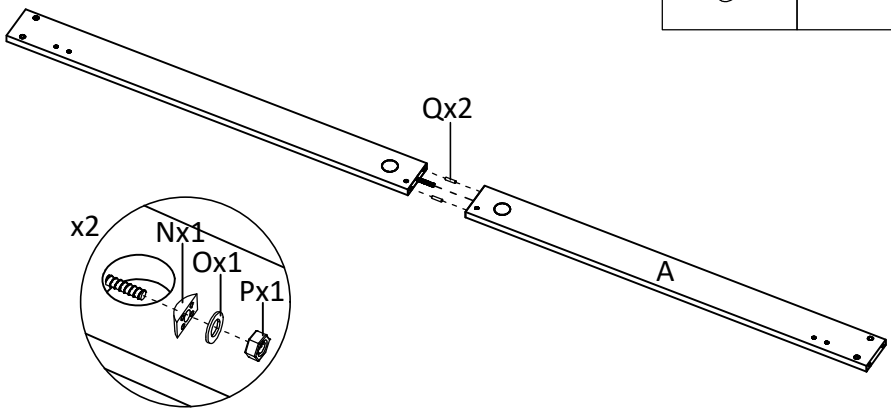
Px4



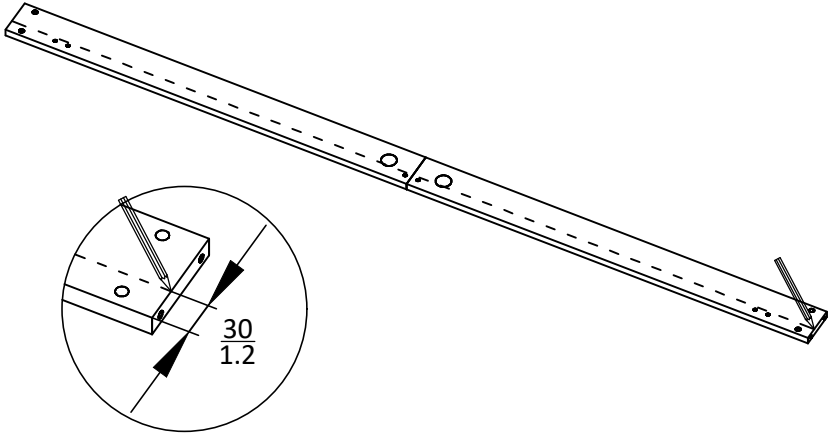
Ox4



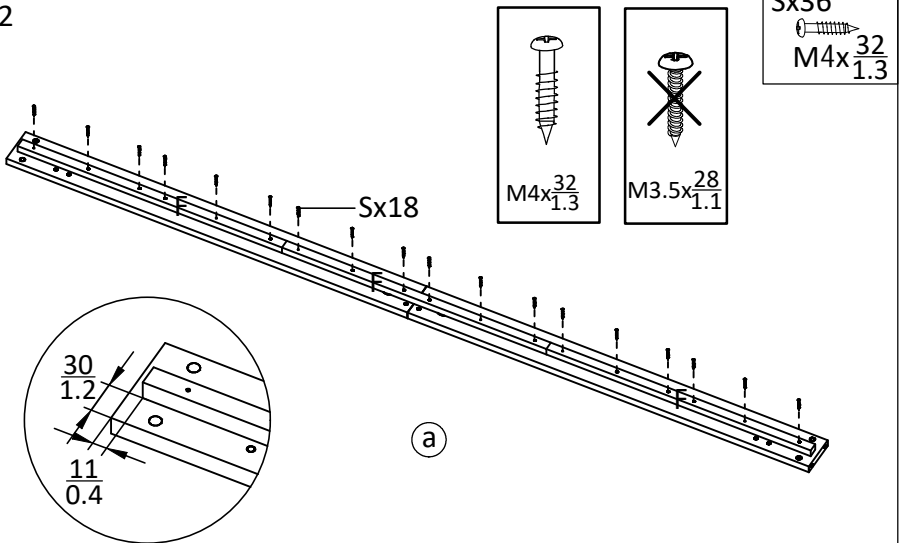
Qx4



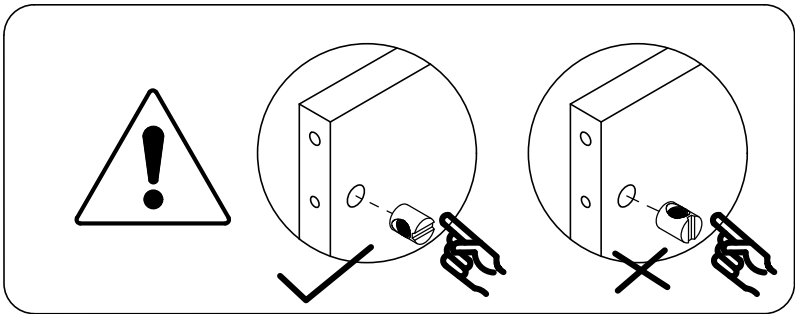
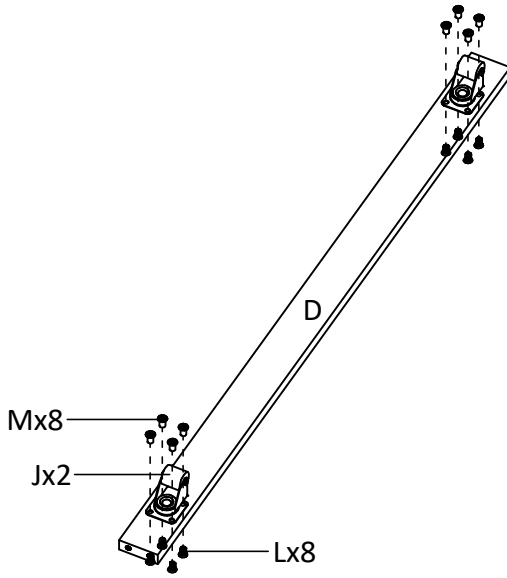
③x2



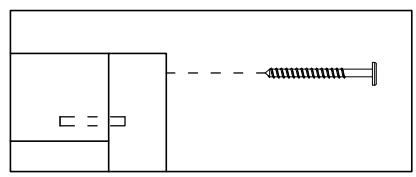
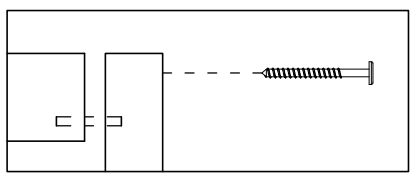
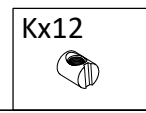
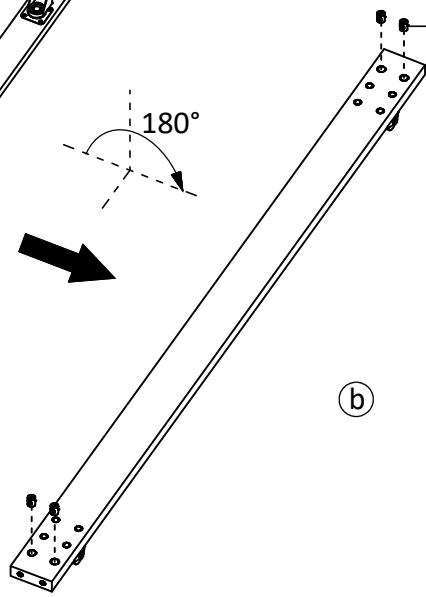
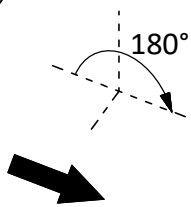
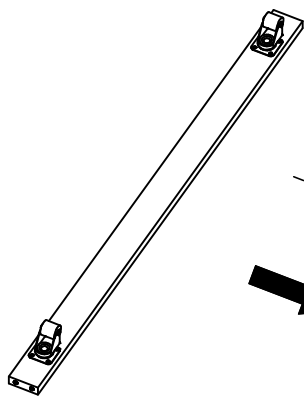
④x2



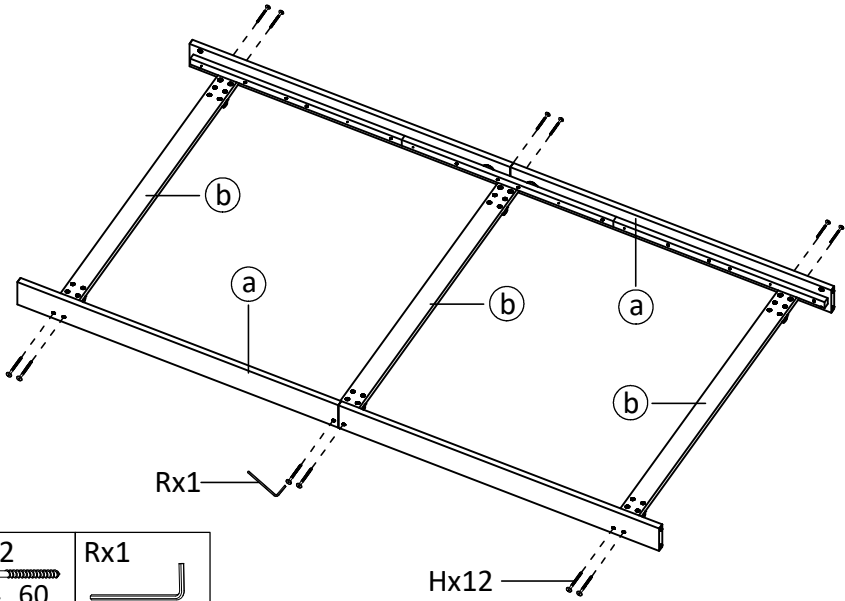
⑤x3



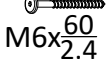
⑥x3



7



Hx12

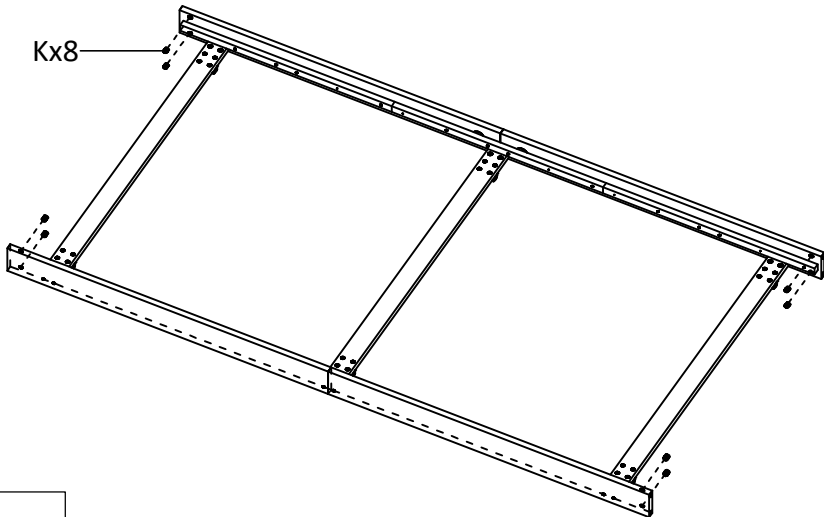


Rx1



Hx12

8



Kx8

Kx8



11

