








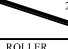



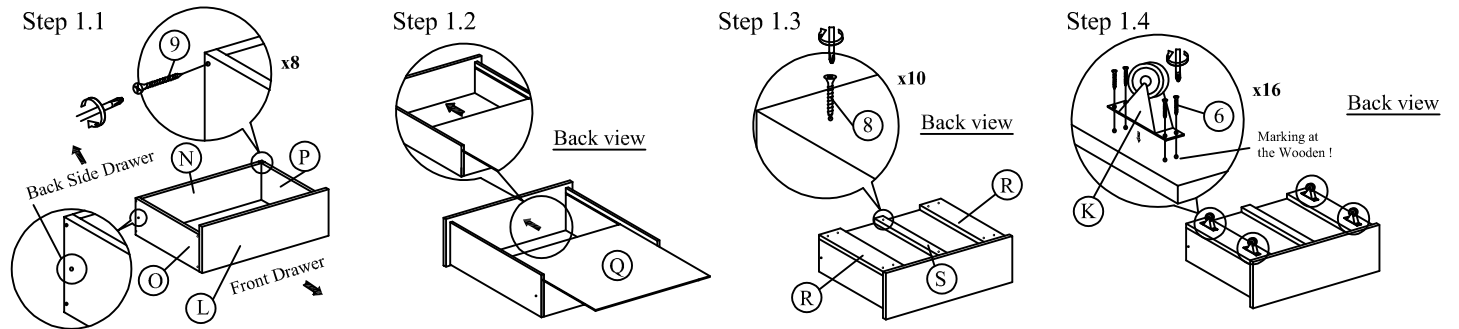


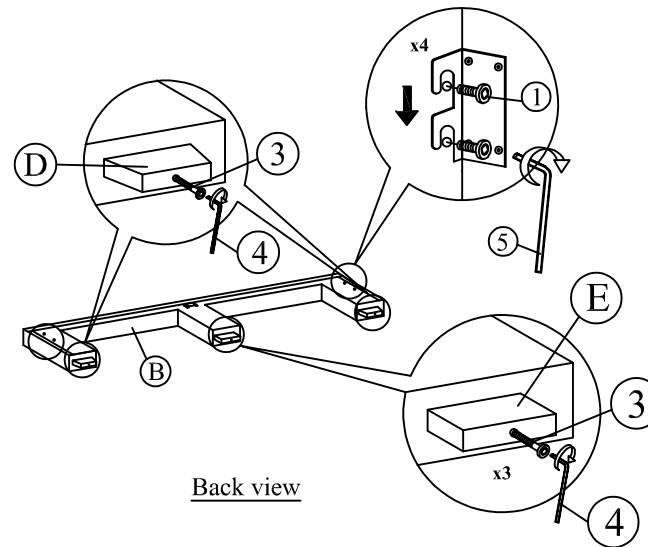
Assembly Instruction

(BOX 1) HEADBOARD			(BOX 3) DRAWER		
NO	ITEM	QTY	NO	ITEM	QTY
A	 HEADBOARD	1 PC	N	FOOTBOARD BACK PANEL	2 PCS
(BOX 2) FOOTBOARD, SIDE RAIL			O	LEFT SIDE PANEL	2 PCS
			P	RIGHT SIDE PANEL	2 PCS
B	 FOOTBOARD	1 PC	Q	FOOTBOARD BOTTOM PANEL	2 PCS
C	 SIDE RAIL	2 PCS	R	BOTTOM PANEL BIG SUPPORT WOOD	4 PCS
D	 WOODEN LEG 80 x 35 x 50(H)	2 PCS	S	BOTTOM PANEL SMALL SUPPORT WOOD	2 PCS
E	 CENTER WOODEN LEG 60 x 25 x 47(H)	1 PC	(BOX 2) HARDWARE LIST		
F	 SUPPORT LEG 265mm	2 PCS	NO	ITEM	QTY
G	 SLAT 762mm	28 PCS	1	JCBB M8 x 20MM	8 PCS
H	 MIDDLE HOLDER	14 PCS	2	JCBB M6 x 40MM	2 PCS
I	 END HOLDER	28 PCS	3	JCBB M6 x 50MM	3 PCS
J	 CENTER RAIL 2040mm	1 PC	4	M4 x 100MM	1 PC
K	 ROLLER	8 PCS	5	M5 x 70MM	1 PC
L	 FOOTBOARD FRONT PANEL	2 PCS	6	FLAT HEAD CHIPBOARD SCREW M4 x 16MM	32 PCS
M	 STIFFENER SLAT (3 HOLES) 1537mm	2 PCS	7	FLAT HEAD CHIPBOARD SCREW M4 x 25MM	2 PCS
			8	FLAT HEAD CHIPBOARD SCREW M4 x 32MM	26 PCS
			9	FLAT HEAD CHIPBOARD SCREW M4 x 50MM	16 PCS
			10	SMALL ADJUSTER	2 PCS
			11	METAL STOPPER	4 PCS

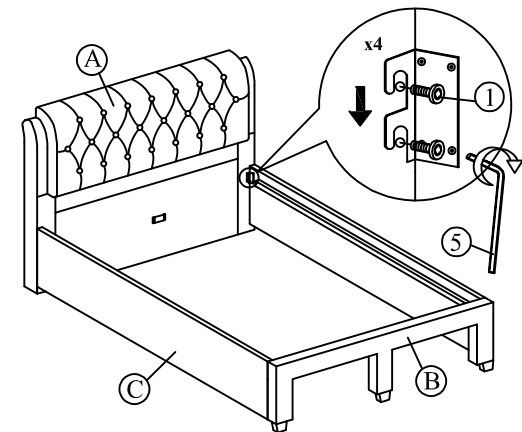
Step 1 : Assemble the footboard drawer by the step.



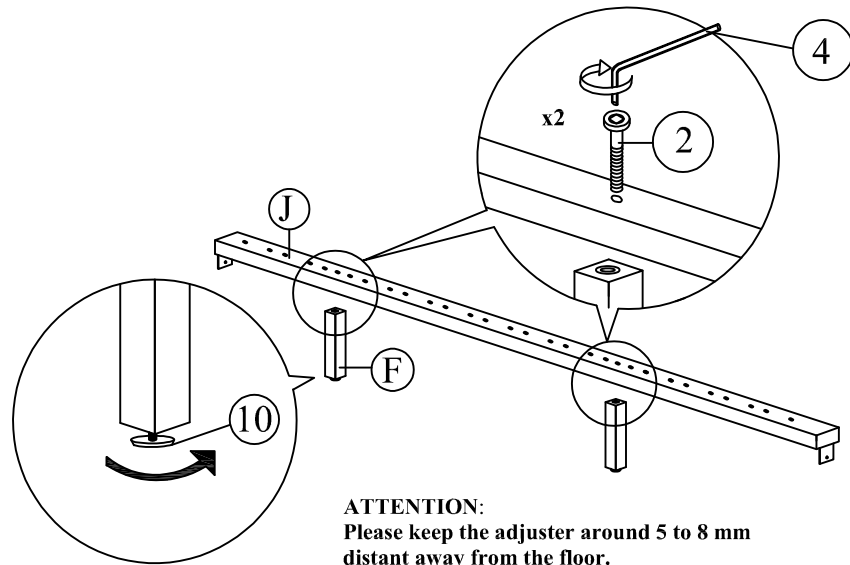
Step 2 : Tighten the legs (D,E) to the footboard (B) as shown.



Step 3 : Attach side rail (C) to headboard (A) and footboard (B) by pushing the bracket down to fit it.

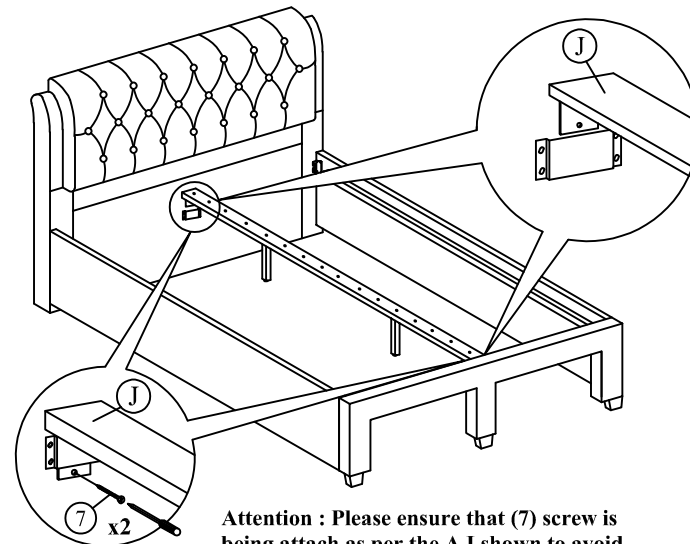


Step 4 : Attach the support legs (F) to the center rail (J) of the bed as shown.



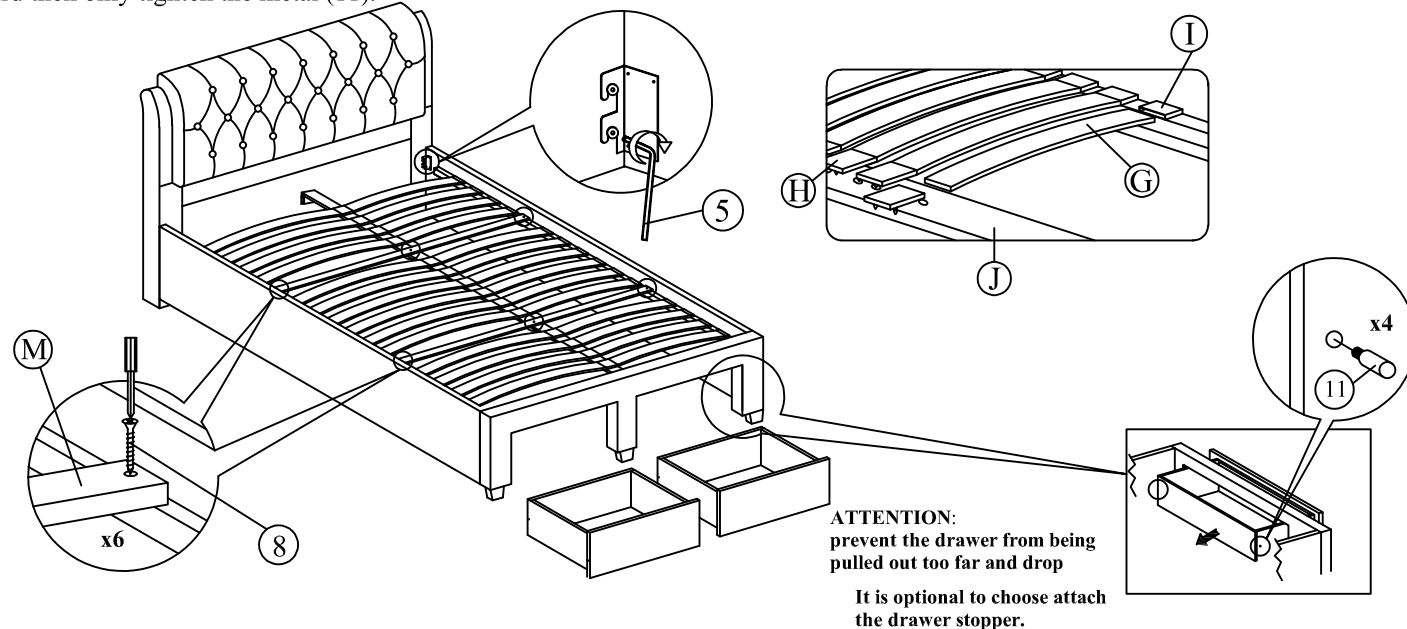
ATTENTION:
Please keep the adjuster around 5 to 8 mm distant away from the floor.

Step 5 : Slide the center rail (J) to the headboard (A) and footboard (B). Tighten screws (7) using screw driver (not included) to the headboard (A) and footboard (B).



Attention : Please ensure that (7) screw is being attach as per the A.I shown to avoid base being collapse .

Step 6 : Affix the Stiffener Slat (M) to the side rail support wood and the center rail (E). Tighten all the 4 corner, follow by assembly of the slat holders with LVL slats as shown. Push the drawer to the footboard then only tighten the metal (11).



ATTENTION:
prevent the drawer from being pulled out too far and drop
It is optional to choose attach the drawer stopper.