

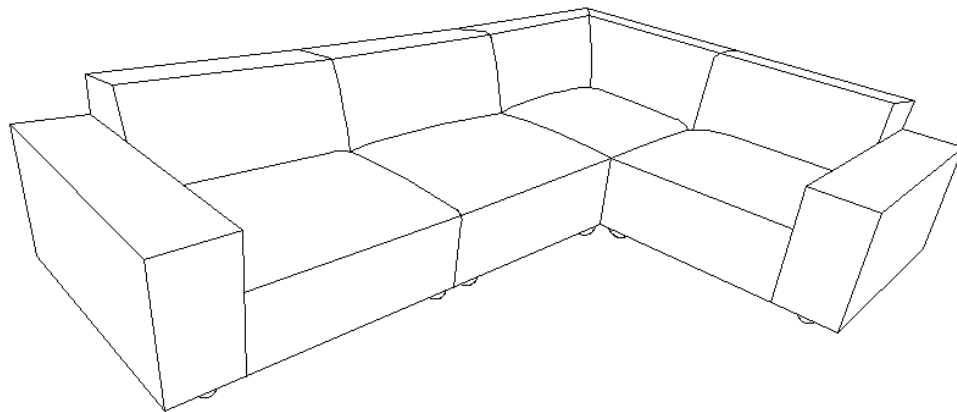
## How to connect sofa sectional

---

Thank you for purchasing the **SOFA !**

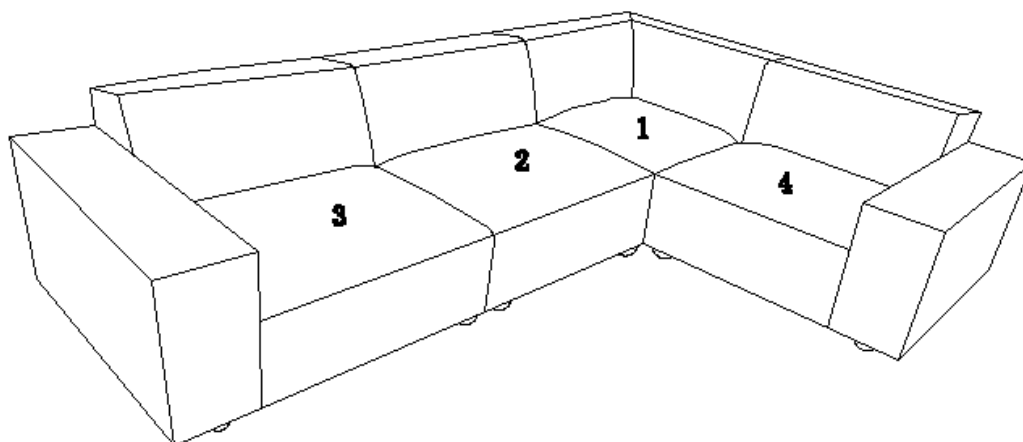
Before you start, here is some helpful advice:

1. We suggest you spend a short time reading through this leaflet and then follow the simple step-by-step instructions.
  2. Owing to the size and weight of the sofa section, we recommend that it is assembled by two adults, on a carpeted or padded area, in the room that it is intended for. Approximate assembly time: 30 minutes.
  3. Please do not use any tools other than those provided or recommended in these instructions.
  4. Please do not throw away any of the packaging or instructions until you have checked all the components and hardware and the furniture is fully assembled.
  5. Assemble all components loosely until advised to tighten. Depending on use, it may be necessary to tighten the components from time to time, so please save the tools that have been provided.
  6. Please keep all the pieces out of reach of children.
- 



---

Component:



1	Corner Seat	X1	2	Armless Chair	X1
3	Left Arm Chair	X1	4	Right Arm Chair	X1

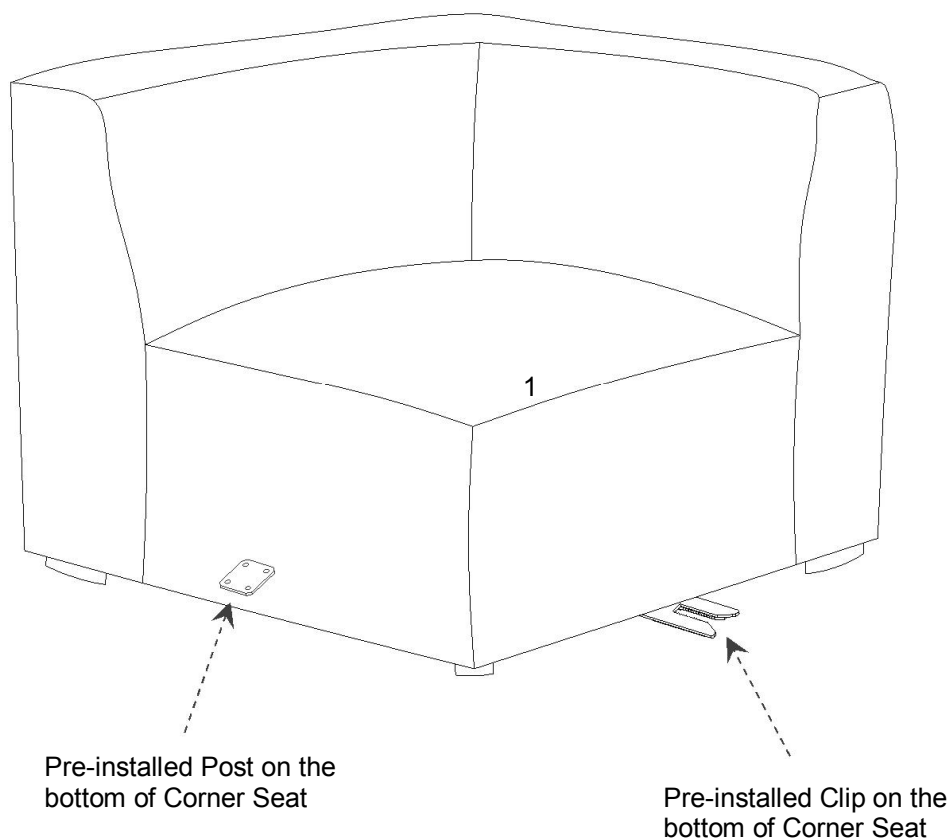
---

## How to connect sofa sectional

---

### STEP 1:

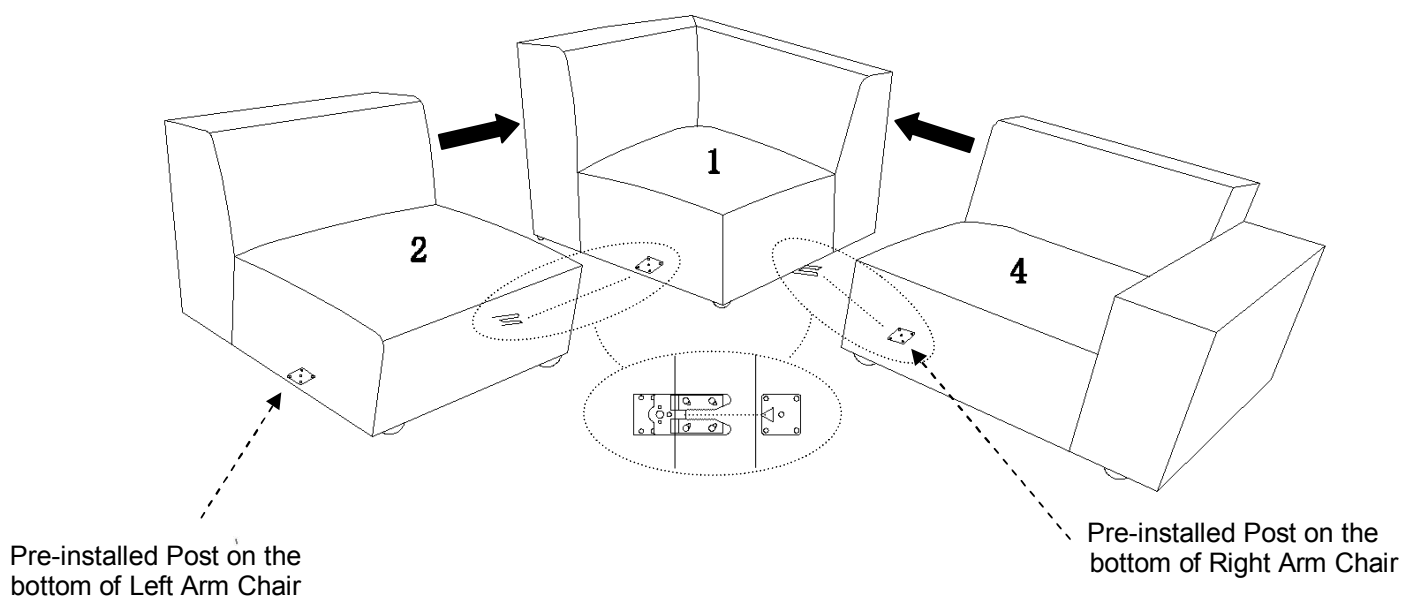
Please carefully place **Corner Seat (1)** at your desired location.



### STEP 2:

Put **Right Arm Chair (4)** and **Armless Chair(2)** close to **Corner Seat (1)**.

Align the pre-installed Clip to the pre-installed Post as shown. Push **Right Arm Chair (4)** and **Armless Chair (2)** slowly until the Clip and the Post click together tightly.

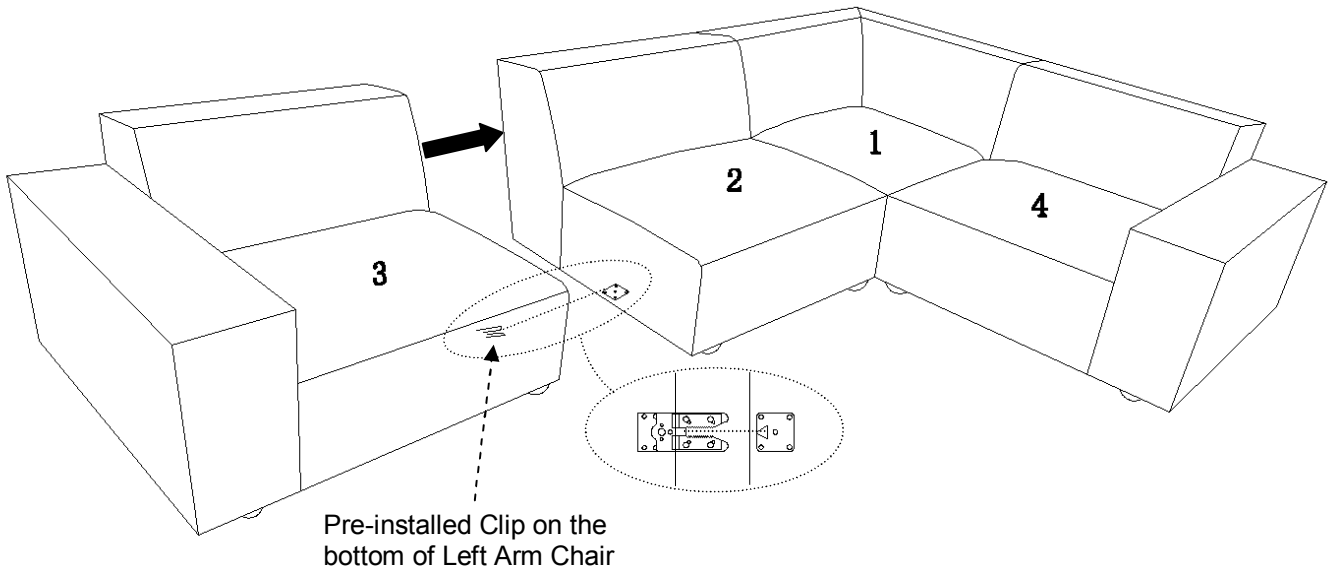


## How to connect sofa sectional

### STEP 3:

Put **Left Arm Chair (3)** close to **Armless Chair (2)**.

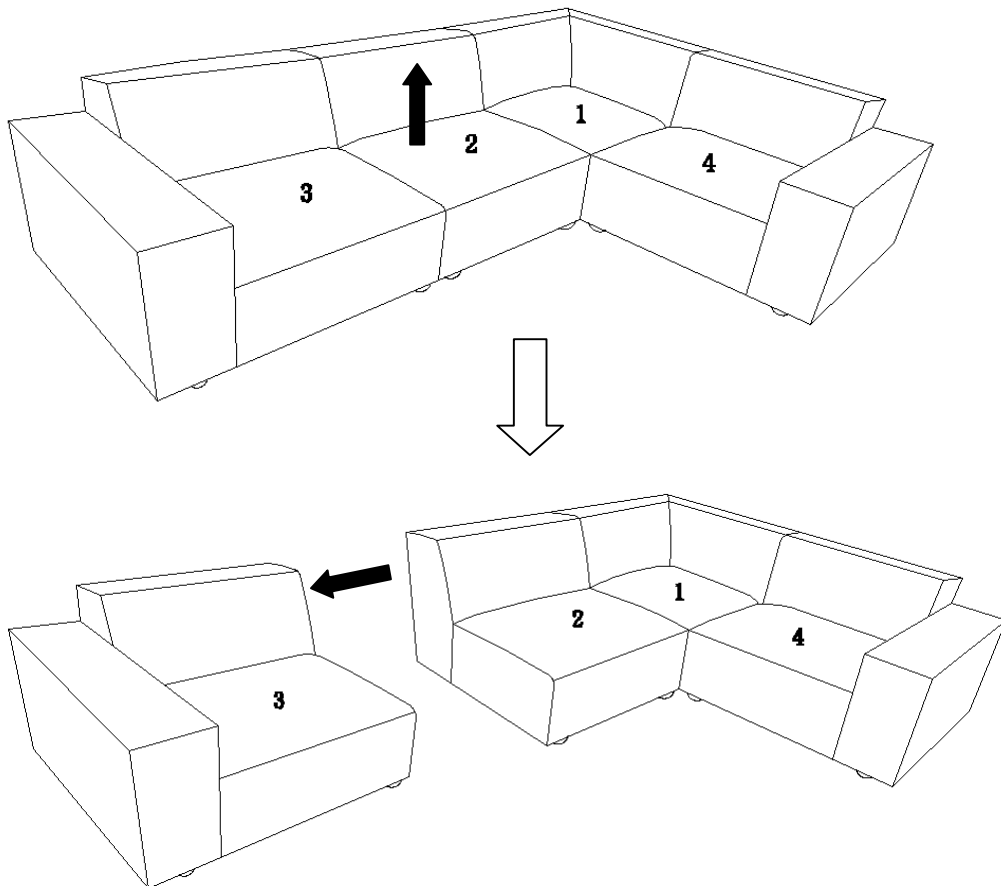
Align the pre-installed Clip to the pre-installed Post as shown. Push **Left Arm Chair (3)** slowly until the Clip and the Post click together tightly.



Assembly is complete. Your sofa combination is ready to be used now!

If you want to unlock the sofa combination:

Lift up **Armless Chair (2)** and move **Left Arm Chair (3)** apart from **Armless Chair (2)**.

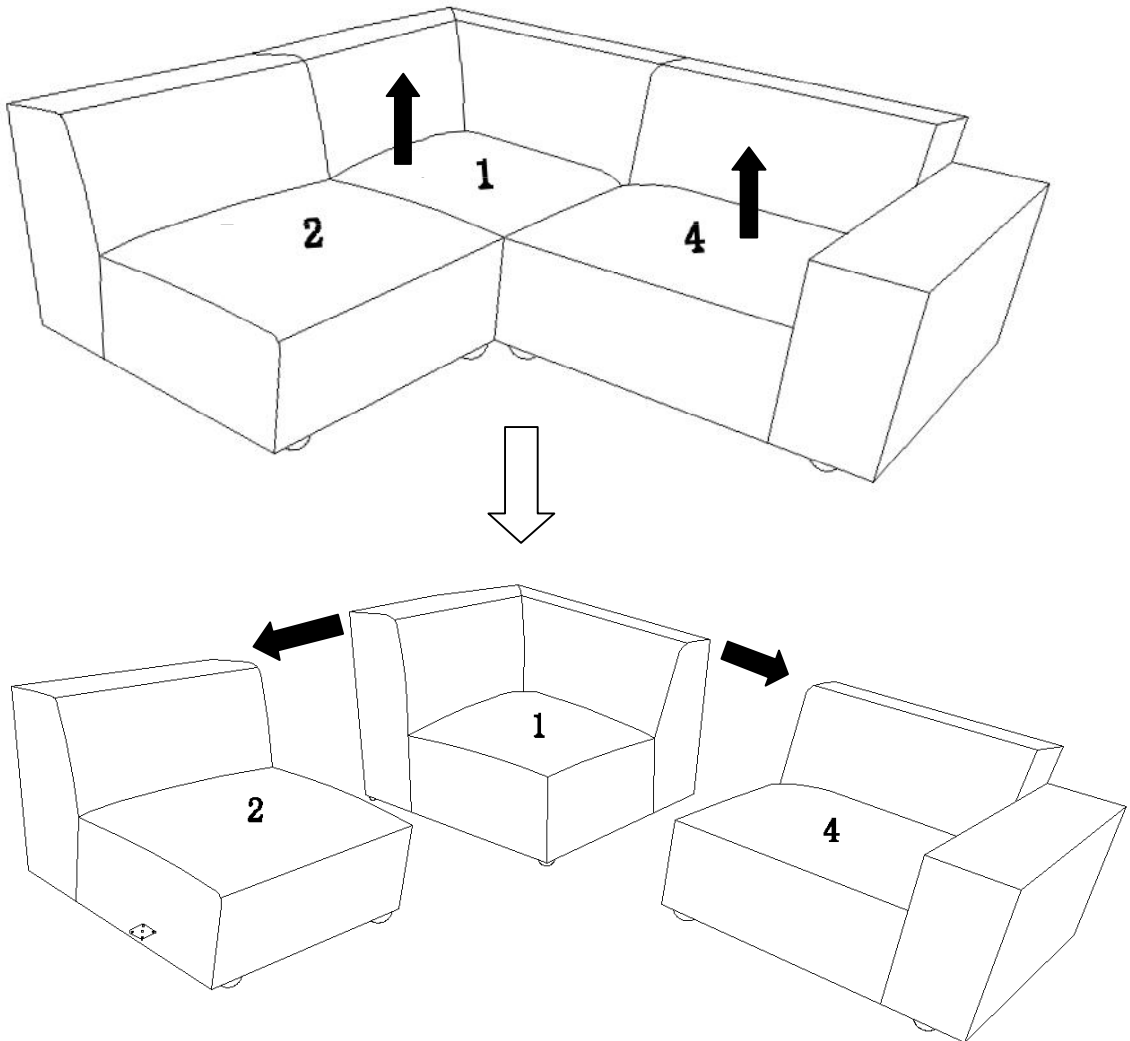


## How to connect sofa sectional

---

Lift up **Corner Seat (1)** and move **Armless Chair (2)** apart from **Corner Seat (1)** as shown.

Lift up **Right Arm Chair (4)** and move **Right Arm Chair (4)** apart from **Corner Seat (1)**.



# ASSEMBLY FOR OTTOMAN

If you want to lock **Ottoman** to the sofa combination, the assembly instruction is as the following:

