

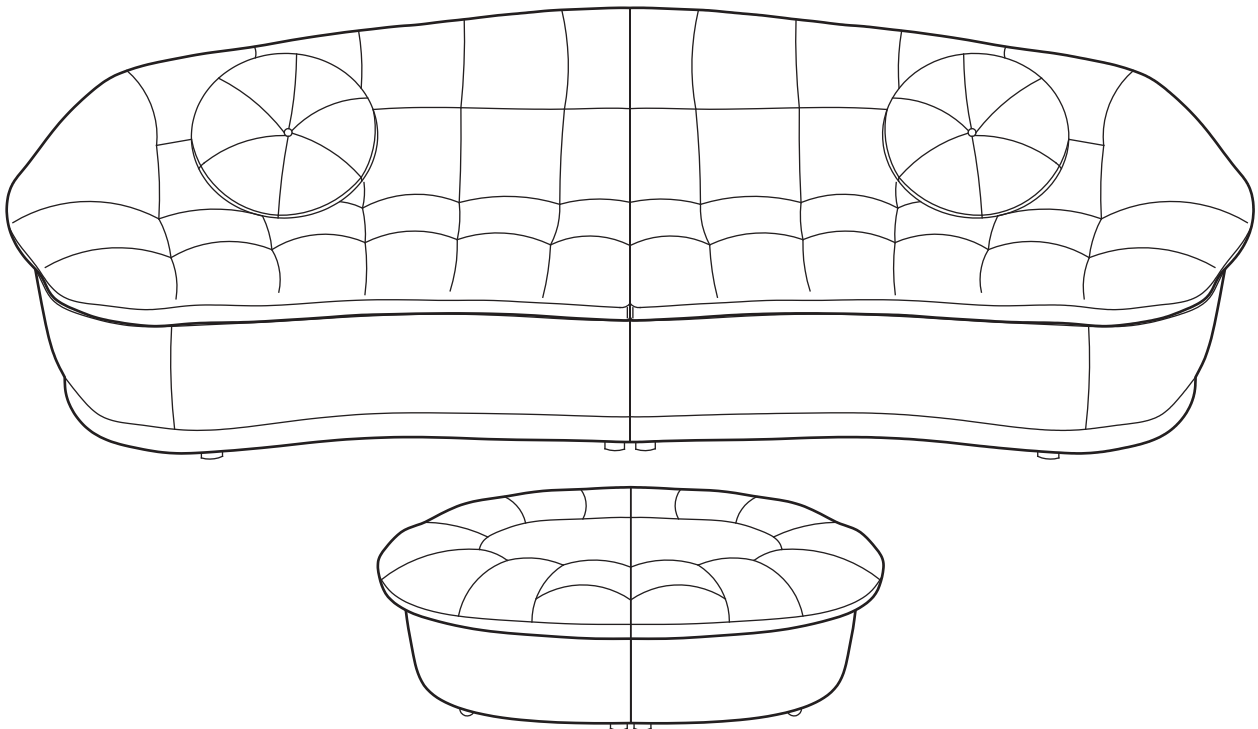
# ASSEMBLY INSTRUCTION

## IMPORTANT NOTE:

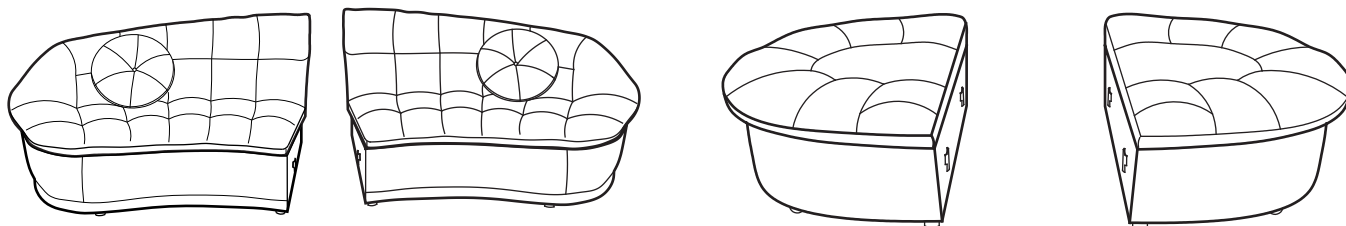
\*\* PLACE ALL PARTS ON A CLEAN AND SMOOTH SURFACE SUCH AS A RUG OR CARPET TO AVOID THE PARTS FROM BEING SCRATCHED.

\*\* BEFORE YOU BEGIN , KINDLY FOLLOW THE ASSEMBLY INSTRUCTIONS STEP BY STEP.

\*\* DO NOT TIGHTEN ALL SCREWS UNTIL THE SOFA & OTTOMAN IS FULLY SET-UP.

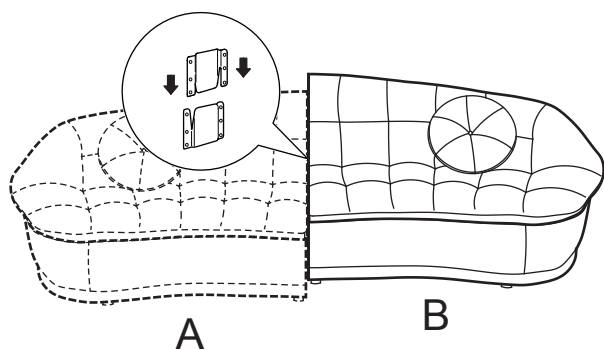


# PARTS AND HARDWARE

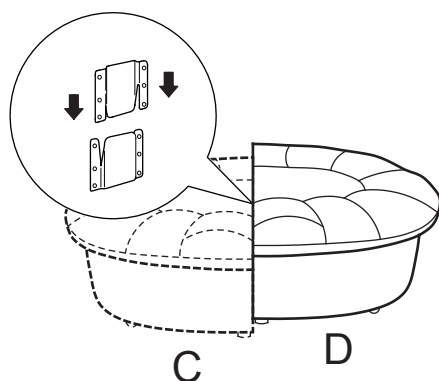


A : SOFA BODY(Left) 1 PC B : SOFA BODY(right) 1 PC C : OTTOMAN BODY(Left) 1 PC D : OTTOMAN BODY(right) 1 PC

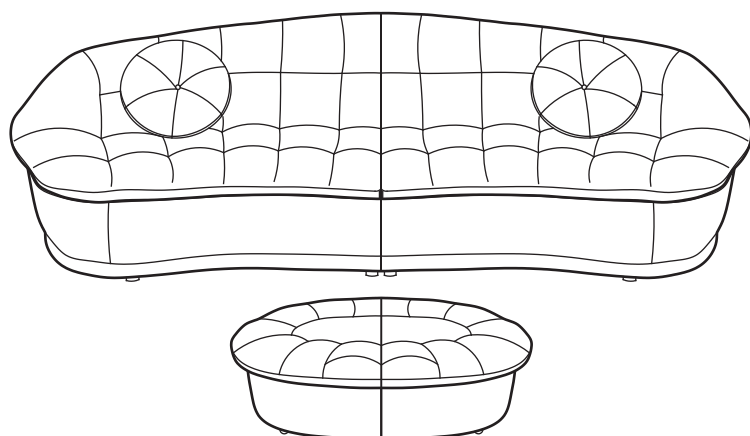
## ASSEMBLY INSTRUCTIONS



**STEP1 :**  
FIX THE SOFA BODY(right) TO THE SOFA BODY(left).



**STEP2 :**  
FIX THE OTTOMAN BODY(right) TO THE OTTOMAN BODY(left).



**FINISH**